



US00D677987S

(12) **United States Design Patent**  
**High**

(10) **Patent No.:** **US D677,987 S**  
(45) **Date of Patent:** **\*\* Mar. 19, 2013**

(54) **AIR CONTROL DAMPER FOR A BARBEQUE GRILL OR SMOKER**

(76) Inventor: **Daniel Vincent High**, Iron, MN (US)

(\*\*) Term: **14 Years**

(21) Appl. No.: **29/418,541**

(22) Filed: **Apr. 18, 2012**

(51) **LOC (9) Cl.** ..... **07-02**

(52) **U.S. Cl.** ..... **D7/402**

(58) **Field of Classification Search** ..... D7/332,  
D7/334, 337, 402-404, 408-409, 362-363,  
D7/365, 367, 354-355, 359; 126/27, 44,  
126/25 R, 41 R, 9 R, 40, 50, 38, 39 H, 39 N,  
126/39 K, 39 M, 39 R, 152 R, 160, 293, 244,  
126/25 A, 290, 287, 285 R, 212, 80, 39 G,  
126/243, 39 E, 39 J, 289; 99/425, 444-447,  
99/450, 482, 449; 431/247, 207, 264; 219/538,  
219/520, 443.1

See application file for complete search history.

(56) **References Cited**

U.S. PATENT DOCUMENTS

108,152	A *	10/1870	Jones	126/37 R
177,027	A *	5/1876	Stansbury	126/160
246,561	A *	8/1881	Sassinot et al.	126/25 R
564,320	A *	7/1896	Underwood	126/25 R
2,528,312	A *	10/1950	Jorgensen	126/40
4,037,580	A *	7/1977	Angelo	126/25 R
4,463,746	A *	8/1984	Knuth et al.	126/25 R
4,535,749	A *	8/1985	Schlosser et al.	126/25 R

4,624,239	A *	11/1986	Yellin	126/25 R
5,042,451	A *	8/1991	Beller	126/25 A
5,413,087	A *	5/1995	Jean	126/41 R
D378,973	S *	4/1997	Bradley et al.	D7/406
6,105,487	A *	8/2000	Nash et al.	99/400
6,182,559	B1 *	2/2001	Chiang	99/340
7,089,926	B2 *	8/2006	Woller	126/25 R
7,334,576	B2 *	2/2008	Chung	126/25 R
D592,445	S *	5/2009	Sorenson et al.	D7/359
2004/0216622	A1 *	11/2004	Martin	99/482
2007/0199555	A1 *	8/2007	Gregory	126/9 R
2011/0061642	A1 *	3/2011	Rouchy et al.	126/39 E

\* cited by examiner

*Primary Examiner* — Ruth McInroy

(57) **CLAIM**

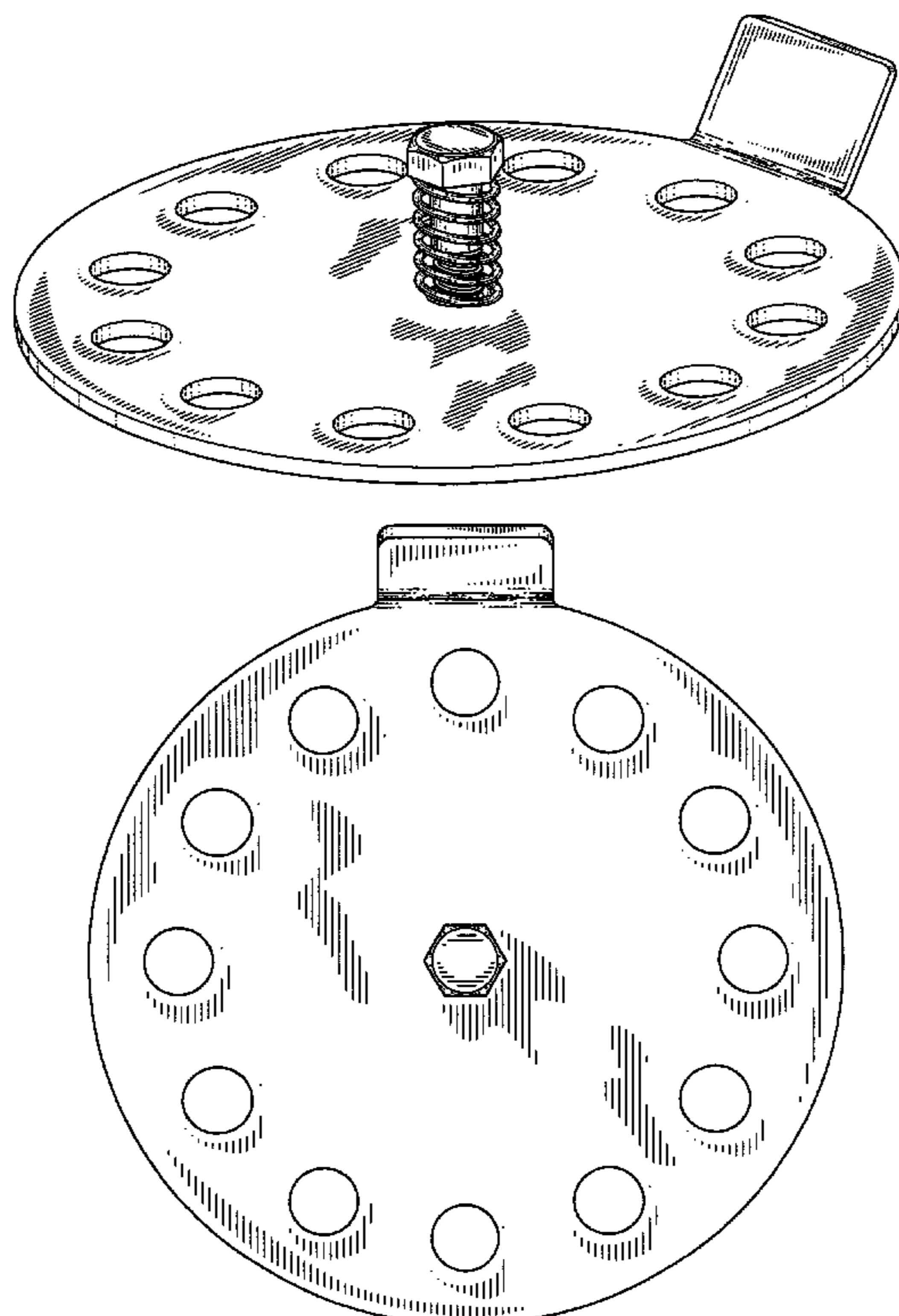
I claim the ornamental design for an air control damper for a barbeque grill or smoker, as shown and described.

**DESCRIPTION**

FIG. 1 is a top perspective view of an air control damper for a barbeque grill or smoker showing my new design;  
FIG. 2 is a top plan view thereof;  
FIG. 3 is a left side elevational view thereof;  
FIG. 4 is a bottom plan view thereof;  
FIG. 5 is a right side elevational view thereof;  
FIG. 6 is a front elevational view thereof; and,  
FIG. 7 is a rear elevational view thereof.

My air control damper for a barbeque grill or smoker is characterized by its circular hole air vents that are arranged in a circular pattern around the unit, bent end tab for easy turning, and spring elevated mounting bolt.

**1 Claim, 5 Drawing Sheets**



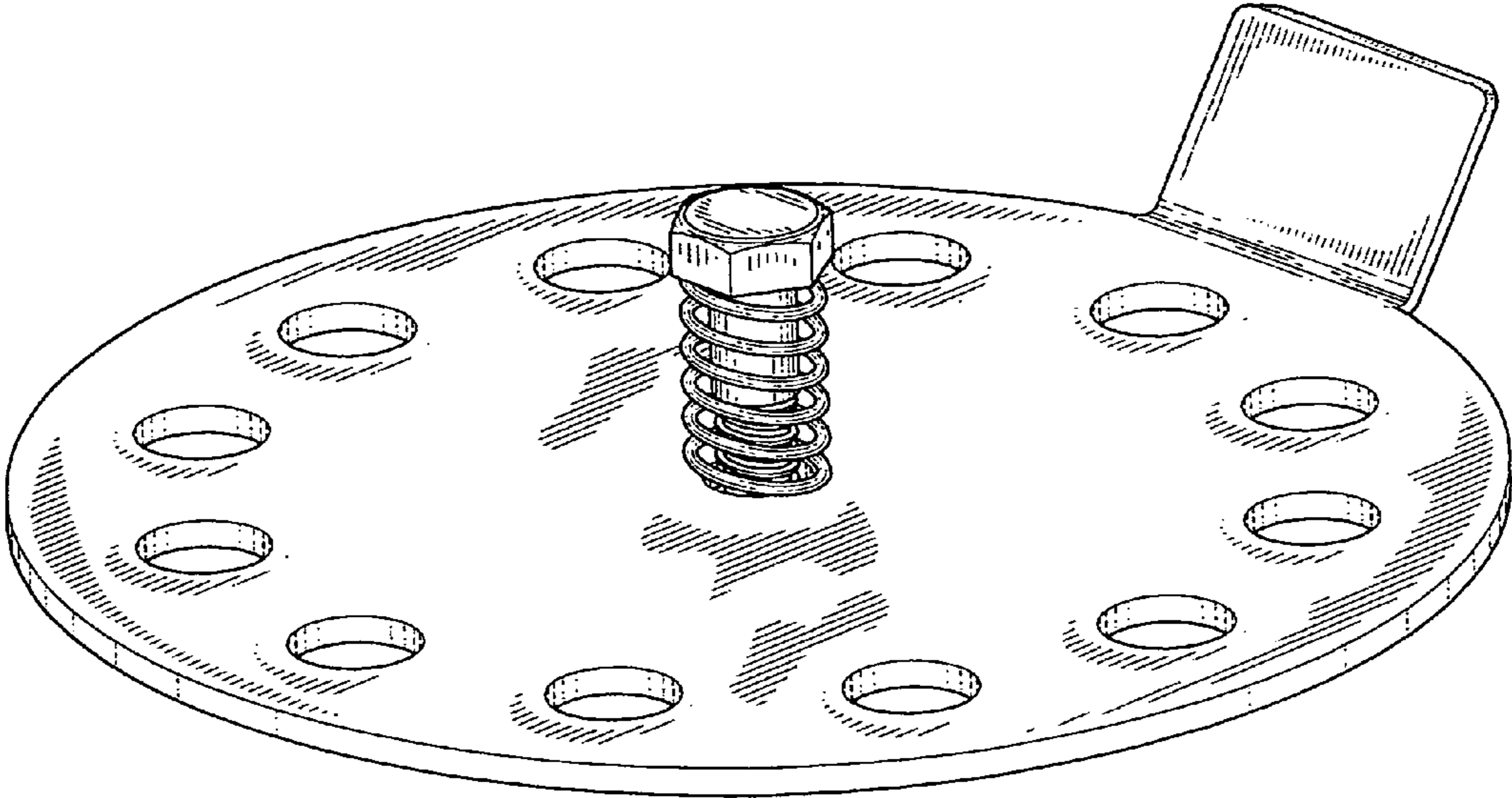


FIG. 1

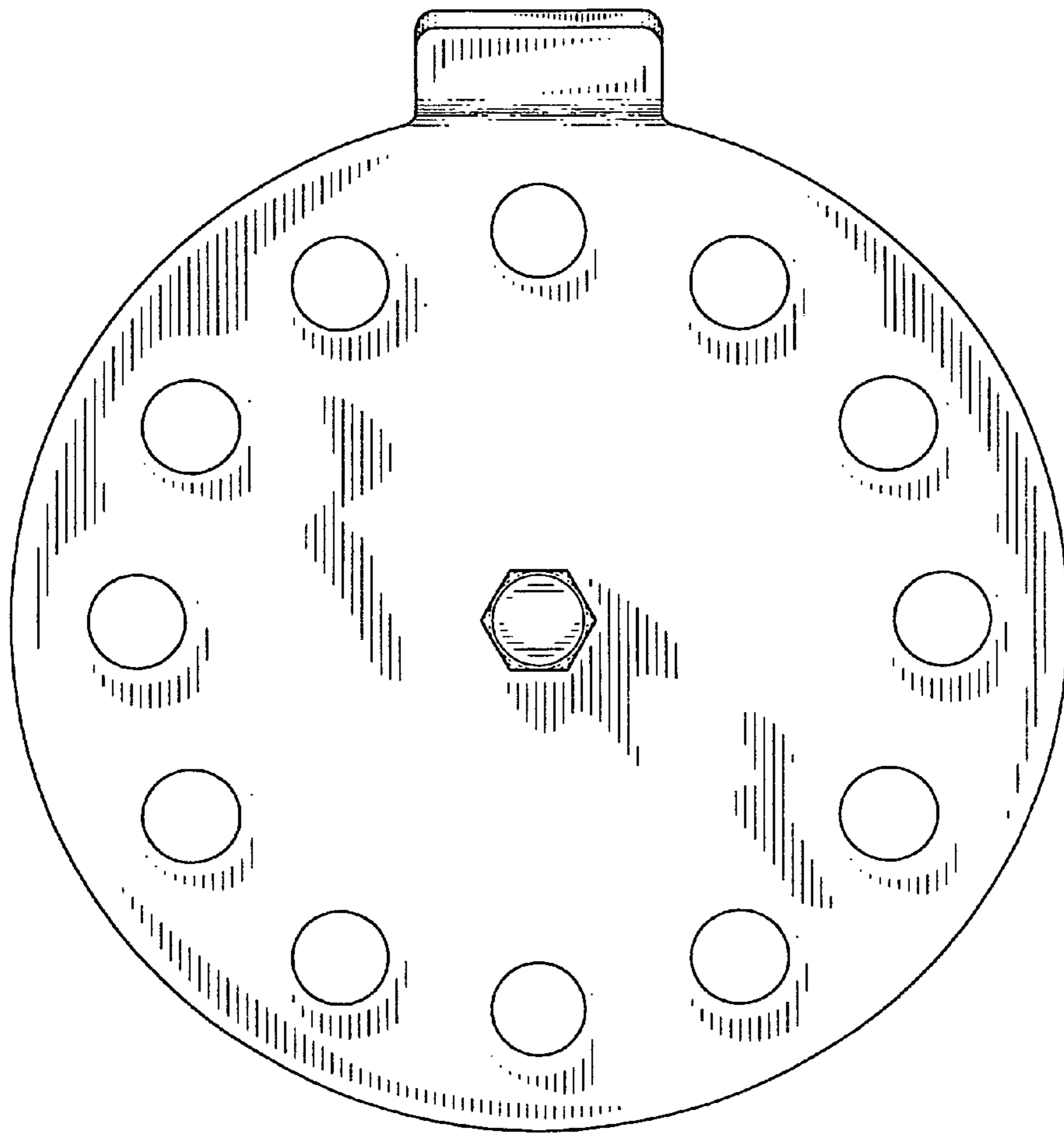


FIG. 2

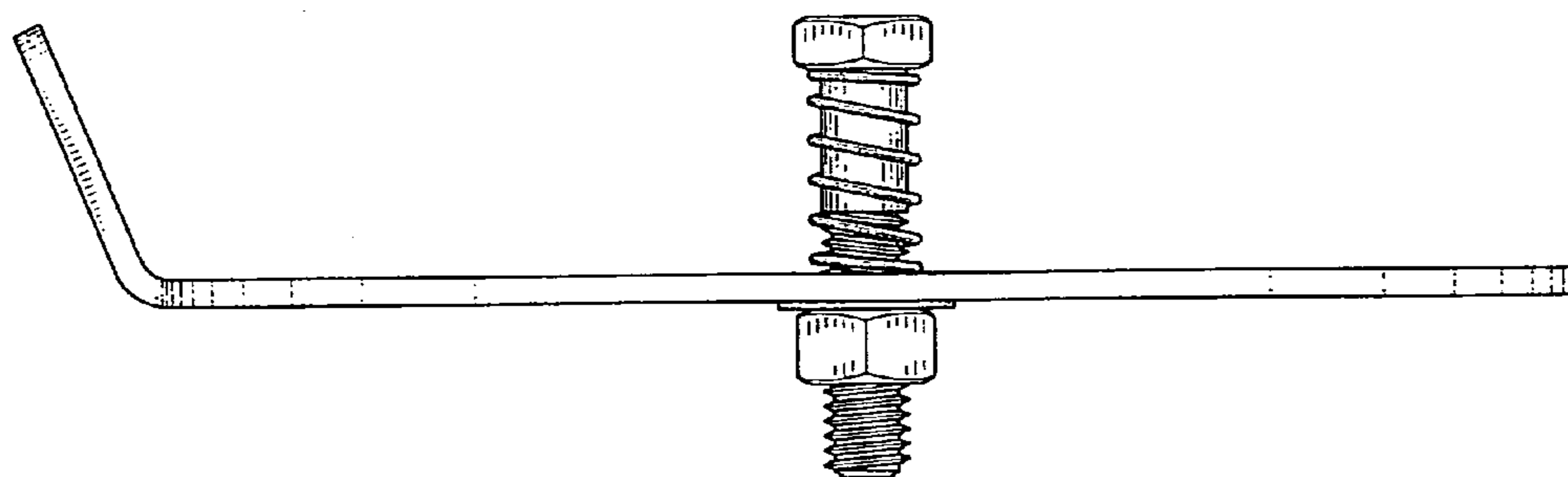


FIG. 3

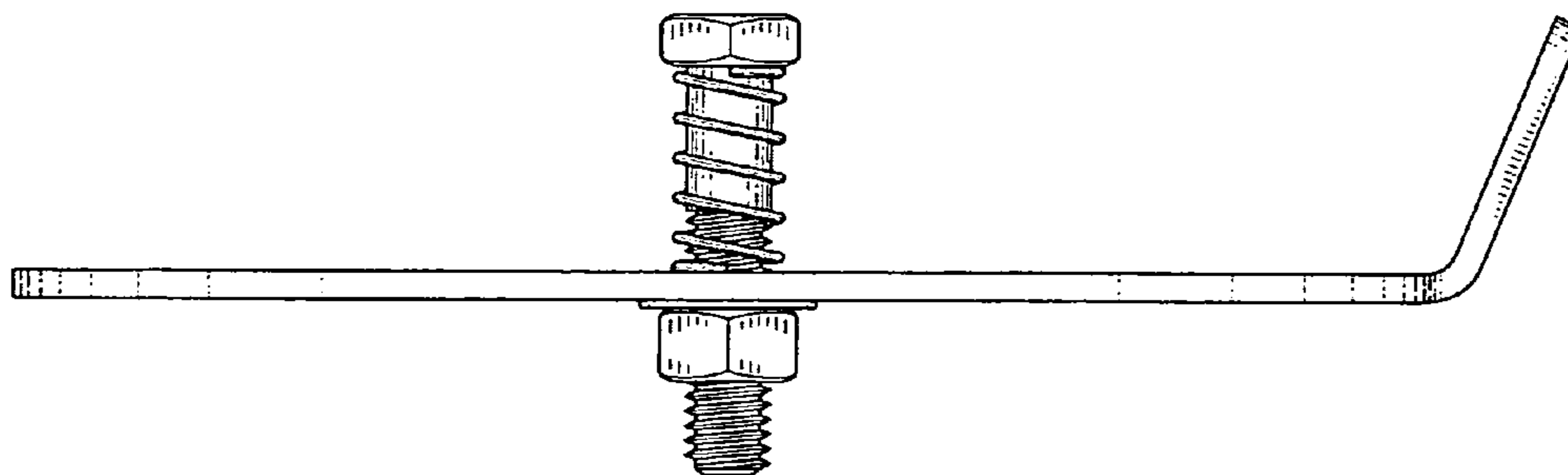


FIG. 5

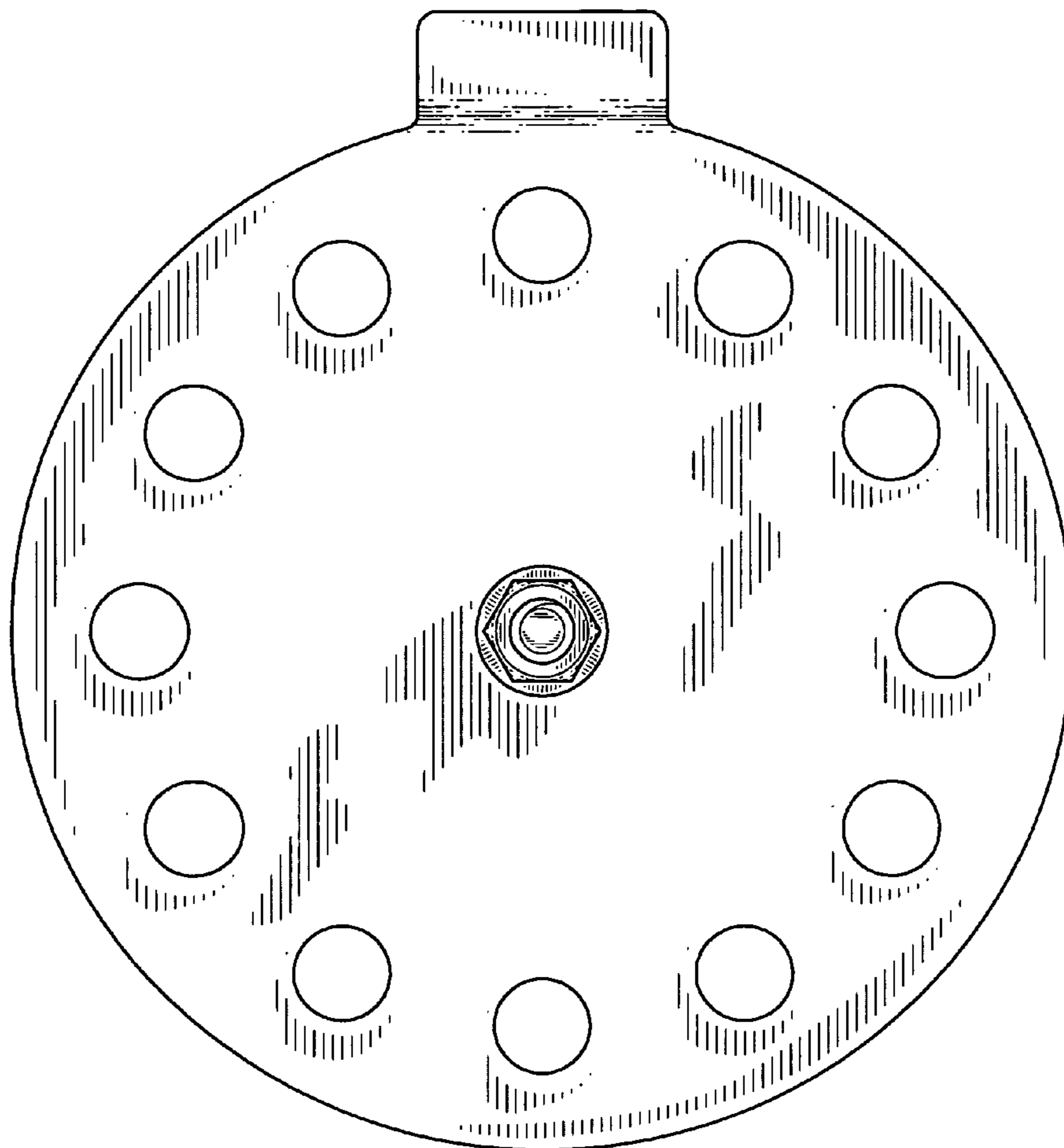


FIG. 4

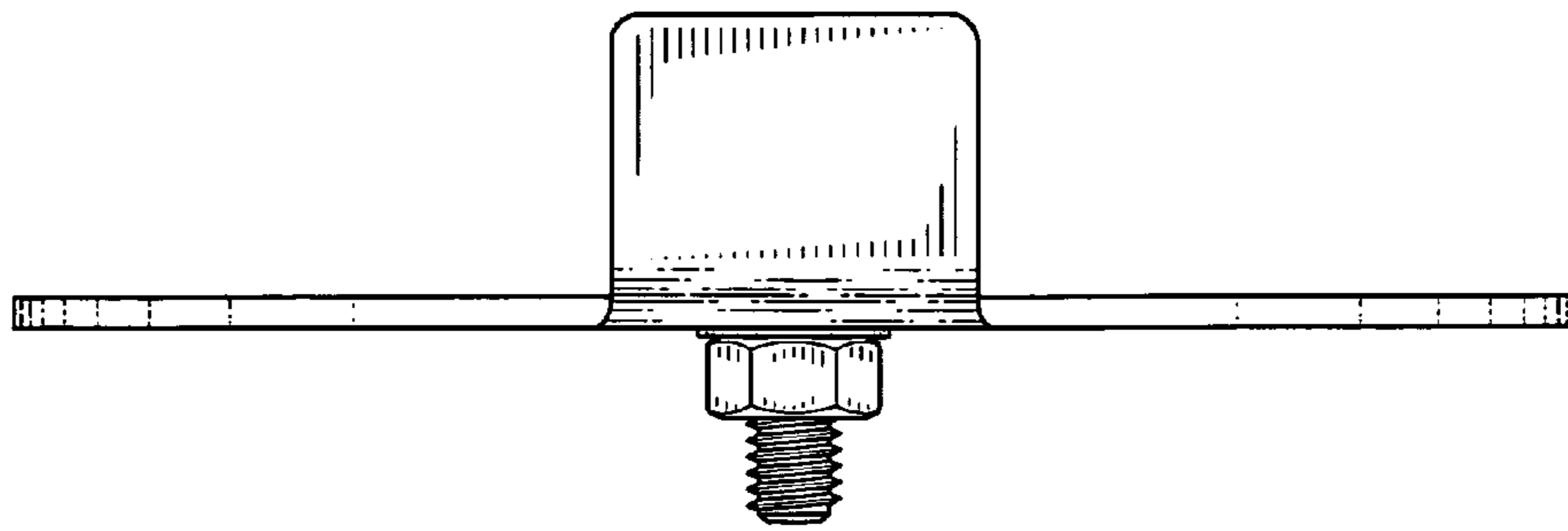


FIG. 6

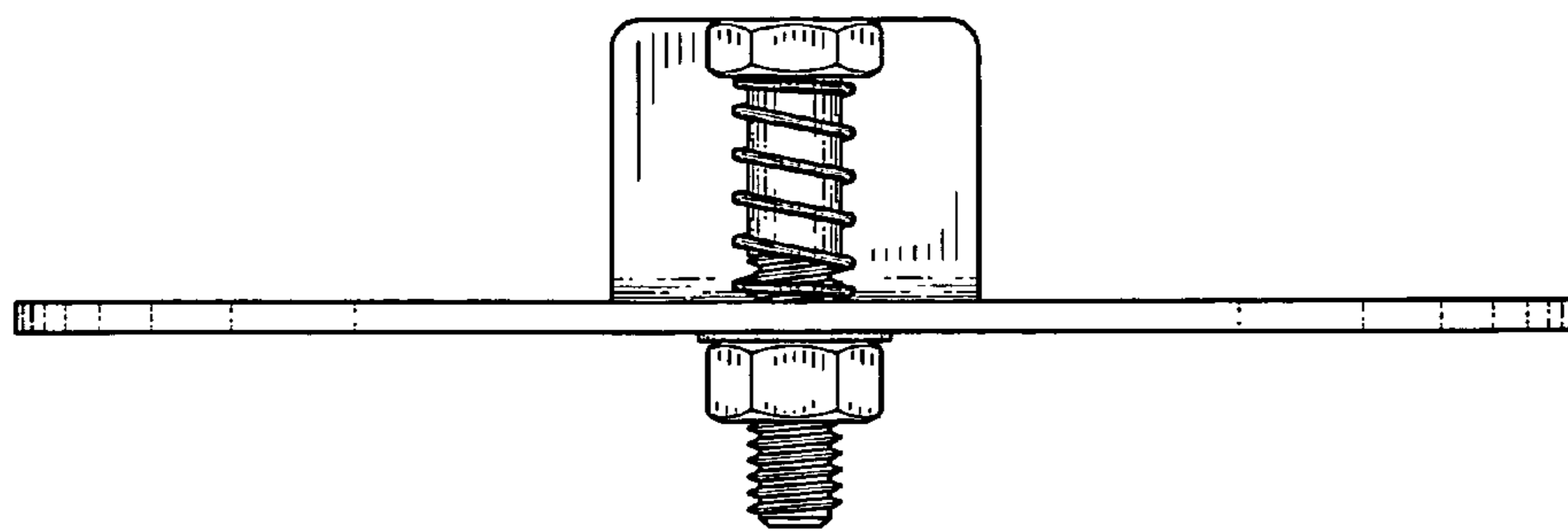


FIG. 7