



US00D677984S

(12) **United States Design Patent**
Levin

(10) **Patent No.:** **US D677,984 S**
(45) **Date of Patent:** **** Mar. 19, 2013**

(54) **CAP FOR PORTABLE BEVERAGE CONTAINER**

(75) Inventor: **Eric Levin**, Westport, CT (US)

(73) Assignee: **Gemini Manufacturing LLC**, White Plains, NY (US)

(**) Term: **14 Years**

(21) Appl. No.: **29/429,957**

(22) Filed: **Aug. 20, 2012**

Related U.S. Application Data

(62) Division of application No. 29/370,037, filed on May 28, 2010, now Pat. No. Des. 666,455.

(51) **LOC (9) Cl.** **07-02**

(52) **U.S. Cl.** **D7/392**

(58) **Field of Classification Search** D7/300,
D7/300.1, 317, 391, 392, 392.1, 396.1, 397,
D7/398, 509, 510, 511; D9/434, 435, 436,
D9/439, 442, 443, 447, 450, 452, 453, 454,
D9/520; D24/224; 222/553, 566, 568, 570;
215/200, 217, 222, 223, 238, 243, 305, 316-323,
215/329; D19/57, 61; 434/130, 131, 133
See application file for complete search history.

(56) **References Cited**

U.S. PATENT DOCUMENTS

D47,852 S	9/1915	Kulow	
D70,173 S *	5/1926	Holtz	D19/61
D114,264 S *	4/1939	Gottlieb	D19/61
D125,434 S *	2/1941	Strauss	D19/61
D130,666 S *	12/1941	Nichol	D19/61
D135,964 S *	7/1943	De Aragon	D11/44
2,333,162 A *	11/1943	Eddy	434/131
D162,367 S *	3/1951	Woofter	D19/61
D260,779 S *	9/1981	Wenger	D19/61
D283,009 S	3/1986	Jennette	
D292,783 S *	11/1987	Restrepo	D11/182
D357,500 S	4/1995	Mutterperl	
D373,310 S	9/1996	Trautmann	
D383,979 S	9/1997	Tucker	

D387,613 S	12/1997	Wilson et al.	
D387,805 S *	12/1997	Hsu	D19/61
D390,112 S	2/1998	Tucker	
D391,478 S	3/1998	D'Arrigo	
D400,395 S	11/1998	Wilson	
D400,440 S	11/1998	Tucker	
D404,696 S	1/1999	Julian	
D405,639 S	2/1999	Clark et al.	
D409,537 S	5/1999	Adelaar	
D414,717 S *	10/1999	Comero et al.	D11/81
D421,033 S	2/2000	Shirley et al.	
D421,627 S *	3/2000	Gootnick	D19/57
D425,935 S *	5/2000	Schimmel	D19/57
D426,137 S	6/2000	Ball et al.	
D427,514 S	7/2000	Roth et al.	
D429,114 S	8/2000	Malusek	
D437,681 S *	2/2001	Weinstock	D3/215
D440,038 S *	4/2001	Weinstock	D3/215
D446,072 S	8/2001	Cohen	
D446,355 S	8/2001	Weinstock	
6,422,974 B1 *	7/2002	Schimmel	482/44
D477,260 S	7/2003	Hovren	
D498,248 S *	11/2004	Shirley	D16/227
D511,654 S	11/2005	Bailey	
D539,345 S *	3/2007	Bickert et al.	D19/42

(Continued)

Primary Examiner — Cynthia M Chin

(74) *Attorney, Agent, or Firm* — Edwards Wildman Palmer LLP; Scott D. Wofsy

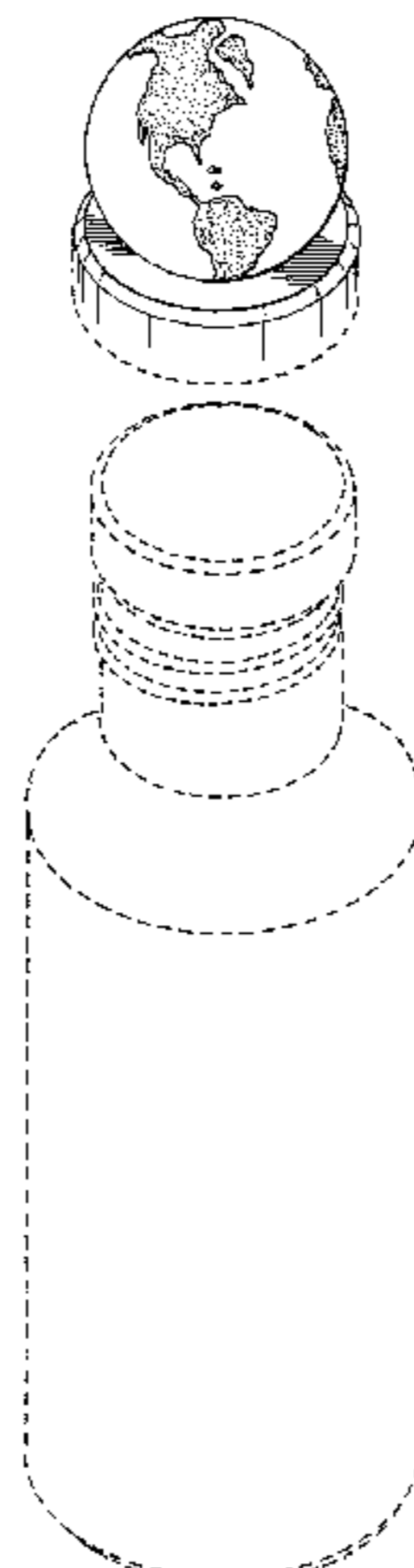
(57) **CLAIM**

The ornamental design for a cap for portable beverage container, as shown and described.

DESCRIPTION

FIG. 1 is a perspective view of the cap;
FIG. 2 is a front elevation of the cap;
FIG. 3 is side elevational of the cap; and,
FIG. 4 is a top plan view of the cap.
The broken lines showing the base of the cap and beverage bottle are included for the purpose of illustrating the unclaimed portions of the article and forms no part of the claimed design.

1 Claim, 1 Drawing Sheet



US D677,984 S

Page 2

U.S. PATENT DOCUMENTS						
D551,822 S	9/2007	Gianfrisco et al.		D614,827 S	5/2010	Nakan
D581,981 S *	12/2008	Supiot	D19/61	D628,441 S	12/2010	LeVere
D587,070 S	2/2009	Thompson		D642,466 S	8/2011	Azar
D592,699 S *	5/2009	Hones	D19/61	D642,479 S	8/2011	Azar
						* cited by examiner

