



US00D677983S

(12) **United States Design Patent**
Levin

(10) **Patent No.:** **US D677,983 S**
(45) **Date of Patent:** **** Mar. 19, 2013**

(54) **CAP FOR PORTABLE BEVERAGE CONTAINER**

(75) Inventor: **Eric Levin**, Westport, CT (US)

(73) Assignee: **Gemini Manufacturing LLC**, White Plains, NY (US)

(**) Term: **14 Years**

(21) Appl. No.: **29/429,956**

(22) Filed: **Aug. 20, 2012**

Related U.S. Application Data

(62) Division of application No. 29/370,037, filed on May 28, 2010, now Pat. No. Des. 666,455.

(51) **LOC (9) Cl.** **07-02**

(52) **U.S. Cl.** **D7/392**

(58) **Field of Classification Search** D7/300, D7/300.1, 301, 317, 391, 392, 392.1, 396.1, D7/397, 398, 509, 510, 511, 606, 625; D9/434, D9/435, 436, 439, 442, 443, 447, 450, 452, D9/453, 454, 520, 672, 675; D24/224; 222/553, 222/566, 568, 570; 215/200, 217, 222, 223, 215/238, 243, 305, 316-323, 329; D8/305, D8/307

See application file for complete search history.

(56) **References Cited**

U.S. PATENT DOCUMENTS

D47,852 S	9/1915	Kulow	
D123,262 S *	10/1940	Foster	D8/307
D213,762 S *	4/1969	Weckham	D9/672
D217,412 S *	4/1970	Moquin	D3/271.12
D283,009 S	3/1986	Jennette	
D297,760 S *	9/1988	Paul	D8/307
4,815,607 A *	3/1989	Agapiou	220/376
D312,497 S *	11/1990	Paul	D8/307
D351,320 S *	10/1994	Minor	D7/606
D357,500 S	4/1995	Mutterperl	
D373,310 S	9/1996	Trautmann	
D383,979 S	9/1997	Tucker	
D387,613 S	12/1997	Wilson et al.	

D390,112 S	2/1998	Tucker	
D391,478 S	3/1998	D'Arrigo	
D394,156 S *	5/1998	Melanson et al.	D3/271.12
D400,395 S	11/1998	Wilson	
D400,440 S	11/1998	Tucker	
D404,696 S	1/1999	Julian	
D405,639 S	2/1999	Clark et al.	
D409,537 S	5/1999	Adelaar	
D419,372 S *	1/2000	Cheng	D7/393
D421,033 S	2/2000	Shirley et al.	
D426,137 S	6/2000	Ball et al.	
D427,514 S	7/2000	Roth et al.	
D429,114 S	8/2000	Malusek	
D430,796 S *	9/2000	Miller	D9/672
D446,072 S	8/2001	Cohen	
D446,355 S	8/2001	Weinstock	
D448,250 S *	9/2001	Brangle et al.	D7/606
D477,260 S	7/2003	Hovren	
D480,832 S *	10/2003	Angeletta	D28/7
D511,654 S	11/2005	Bailey	
D533,303 S *	12/2006	Angeletta	D28/7
D540,183 S *	4/2007	Sellars	D9/675
D546,703 S *	7/2007	Sellars	D9/675
D551,822 S	9/2007	Gianfrisco et al.	
D556,052 S *	11/2007	Hoffman	D9/675
D568,759 S *	5/2008	Jones	D9/672

(Continued)

Primary Examiner — Cynthia M Chin

(74) *Attorney, Agent, or Firm* — Edwards Wildman Palmer LLP; Scott D. Wofsy

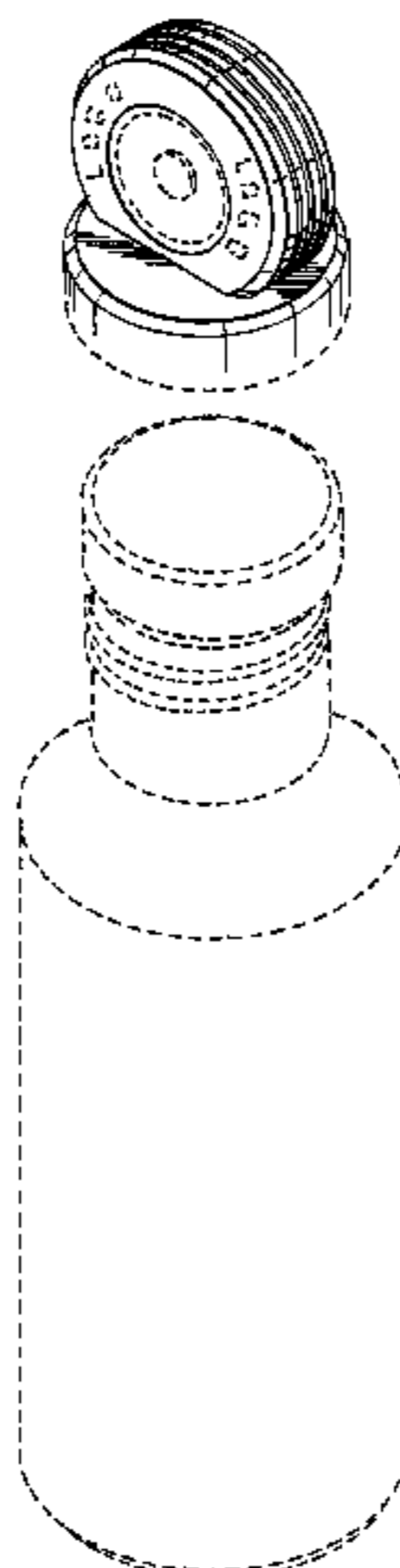
(57) **CLAIM**

The ornamental design for a cap for portable beverage container, as shown and described.

DESCRIPTION

FIG. 1 is a perspective view of the cap; FIG. 2 is a front elevation of the cap; FIG. 3 is side elevational of the cap; and, FIG. 4 is a top plan view of the cap. The broken lines showing the base of the cap, beverage bottle and portions of the "wheel" are included for the purpose of illustrating the unclaimed portions of the article and forms no part of the claimed design.

1 Claim, 1 Drawing Sheet



US D677,983 S

Page 2

U.S. PATENT DOCUMENTS

D583,251 S	*	12/2008	Morrison	D9/672	D616,708 S	*	6/2010	Trinkle et al.	D7/625
D587,070 S		2/2009	Thompson		D621,226 S	*	8/2010	Trinkle et al.	D7/625
D587,954 S	*	3/2009	Stein	D7/301	D628,441 S		12/2010	LeVere	
D604,073 S	*	11/2009	Lochen	D6/515	D642,466 S		8/2011	Azar	
D614,827 S		5/2010	Nakan		D642,479 S		8/2011	Azar	
D616,256 S	*	5/2010	Trinkle et al.	D7/625	D650,258 S	*	12/2011	Drake et al.	D8/305

* cited by examiner

Fig. 1

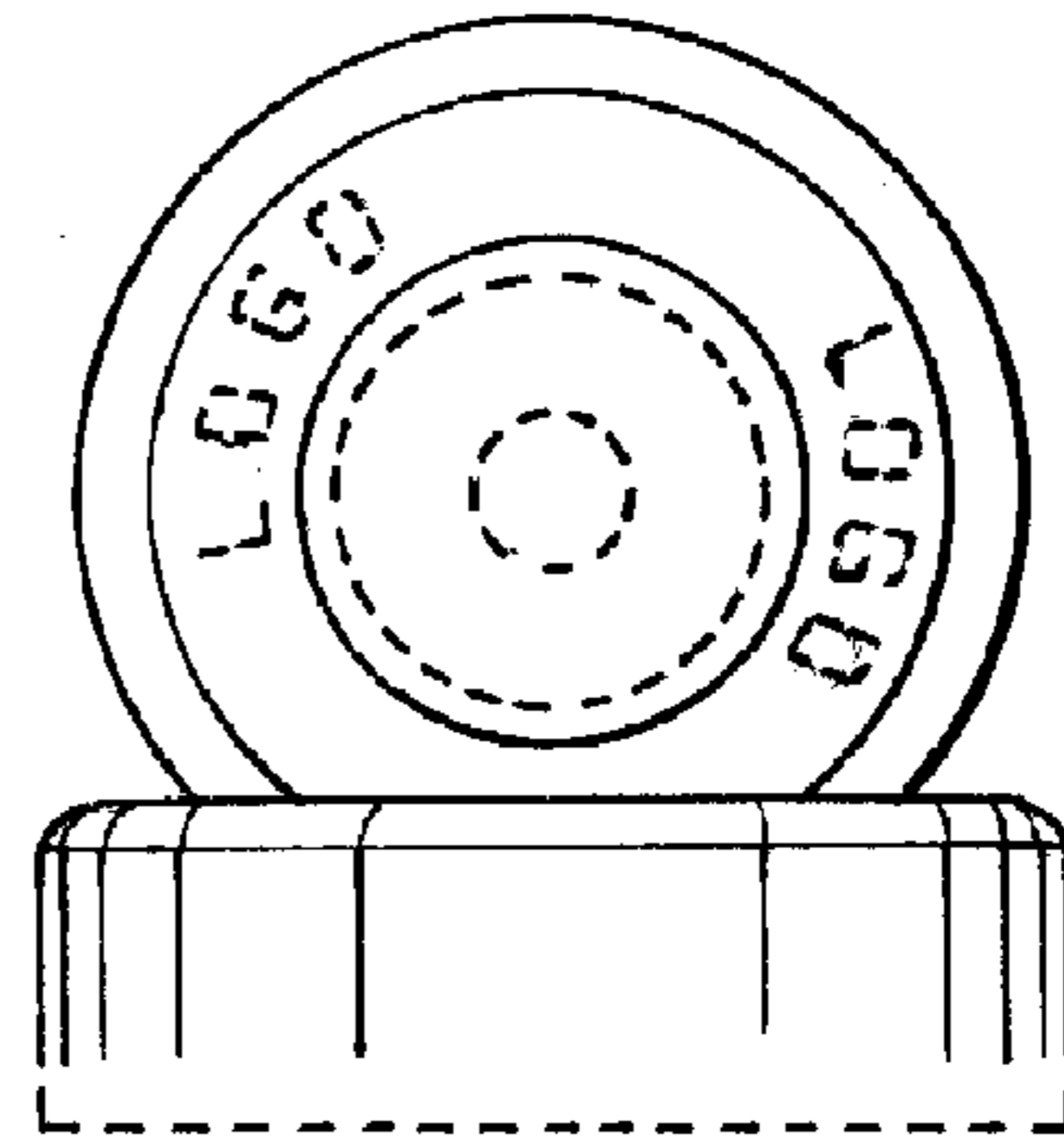
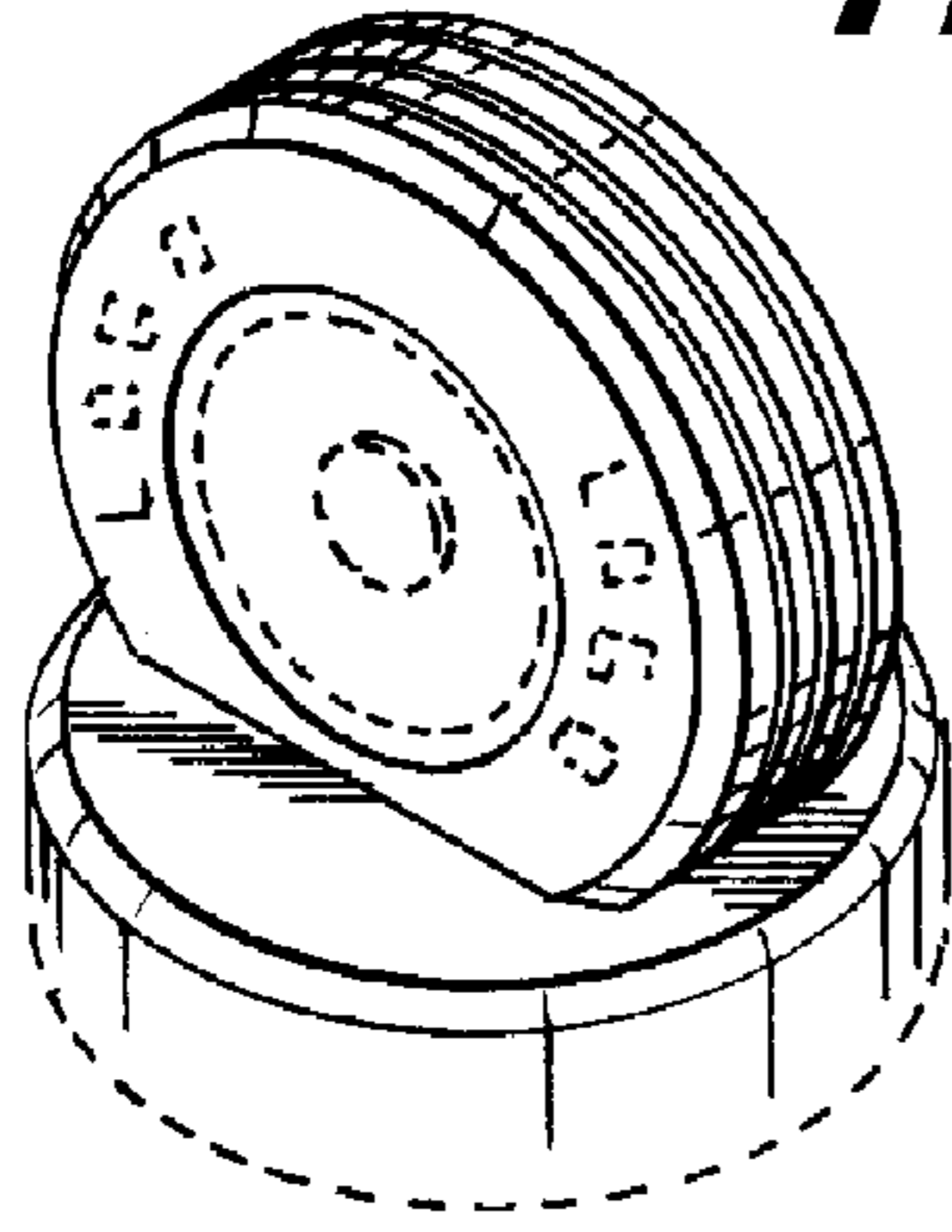


Fig. 2

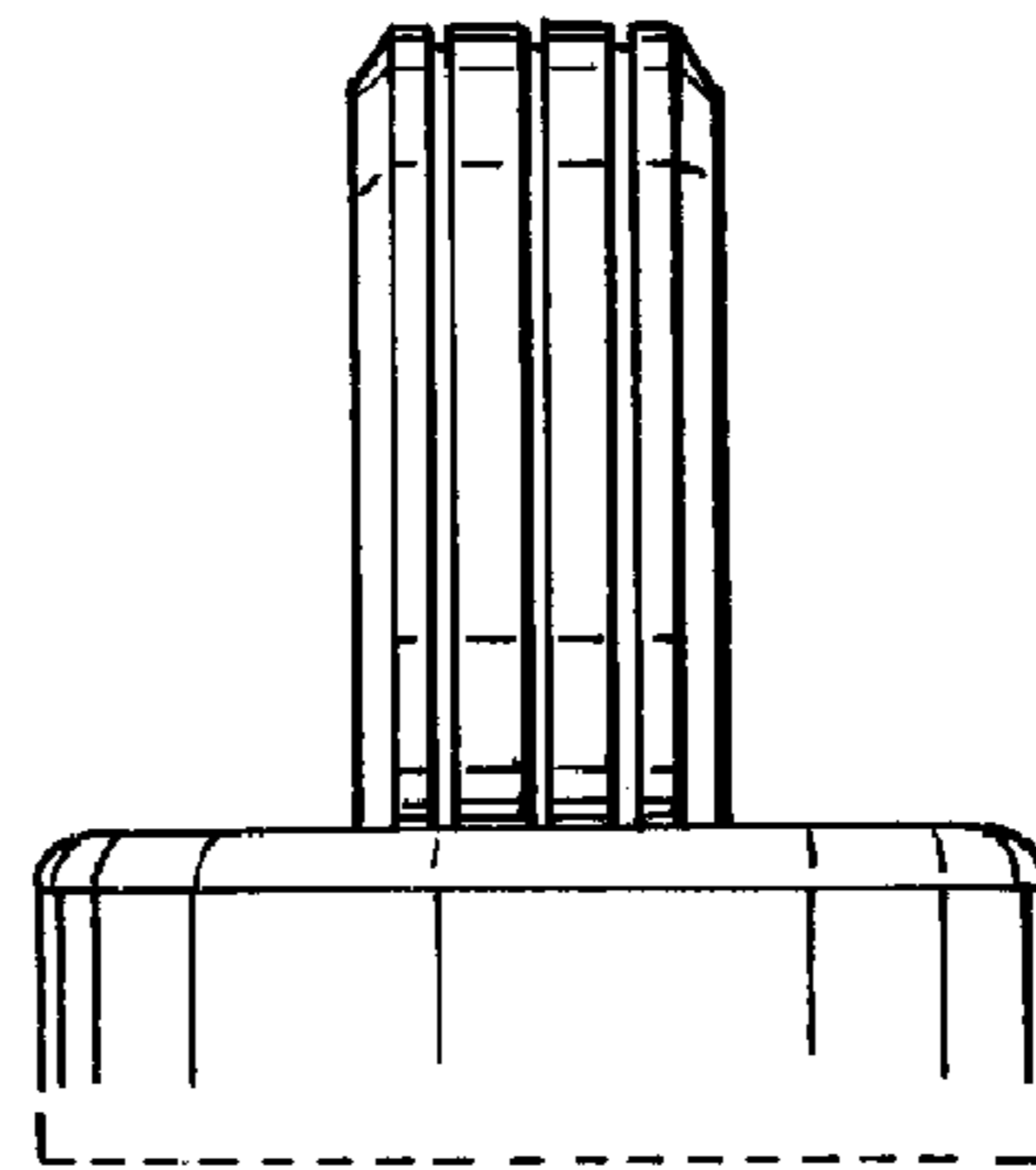
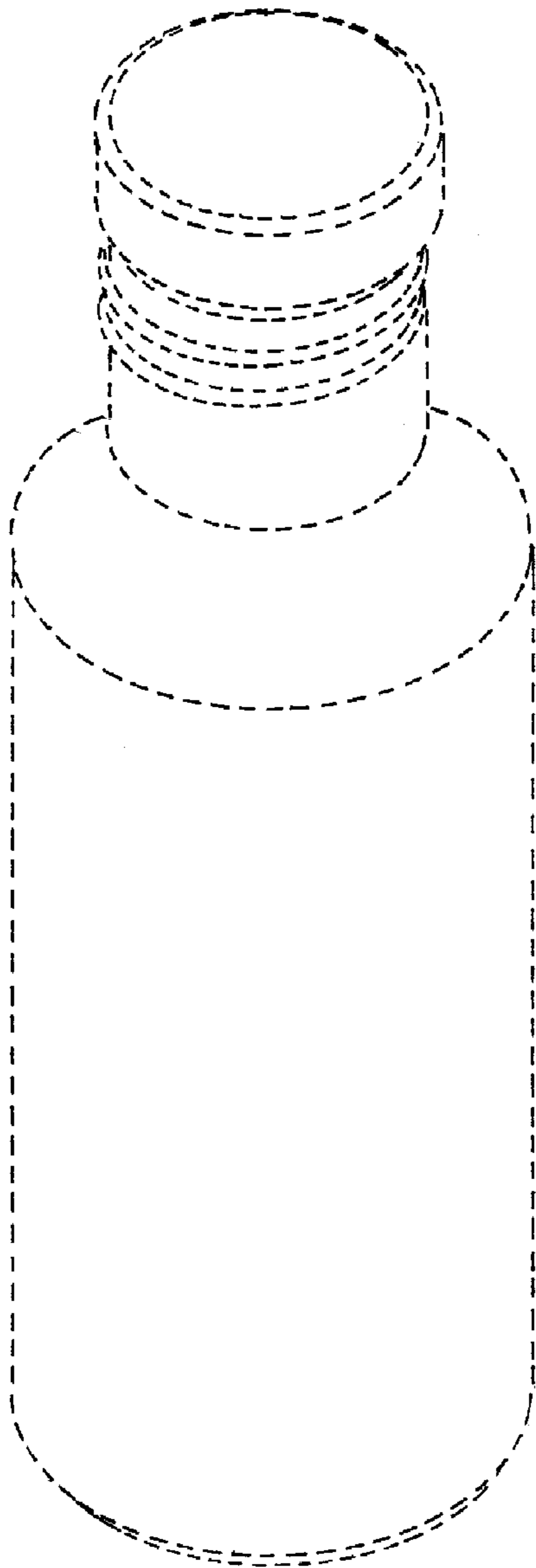


Fig. 3

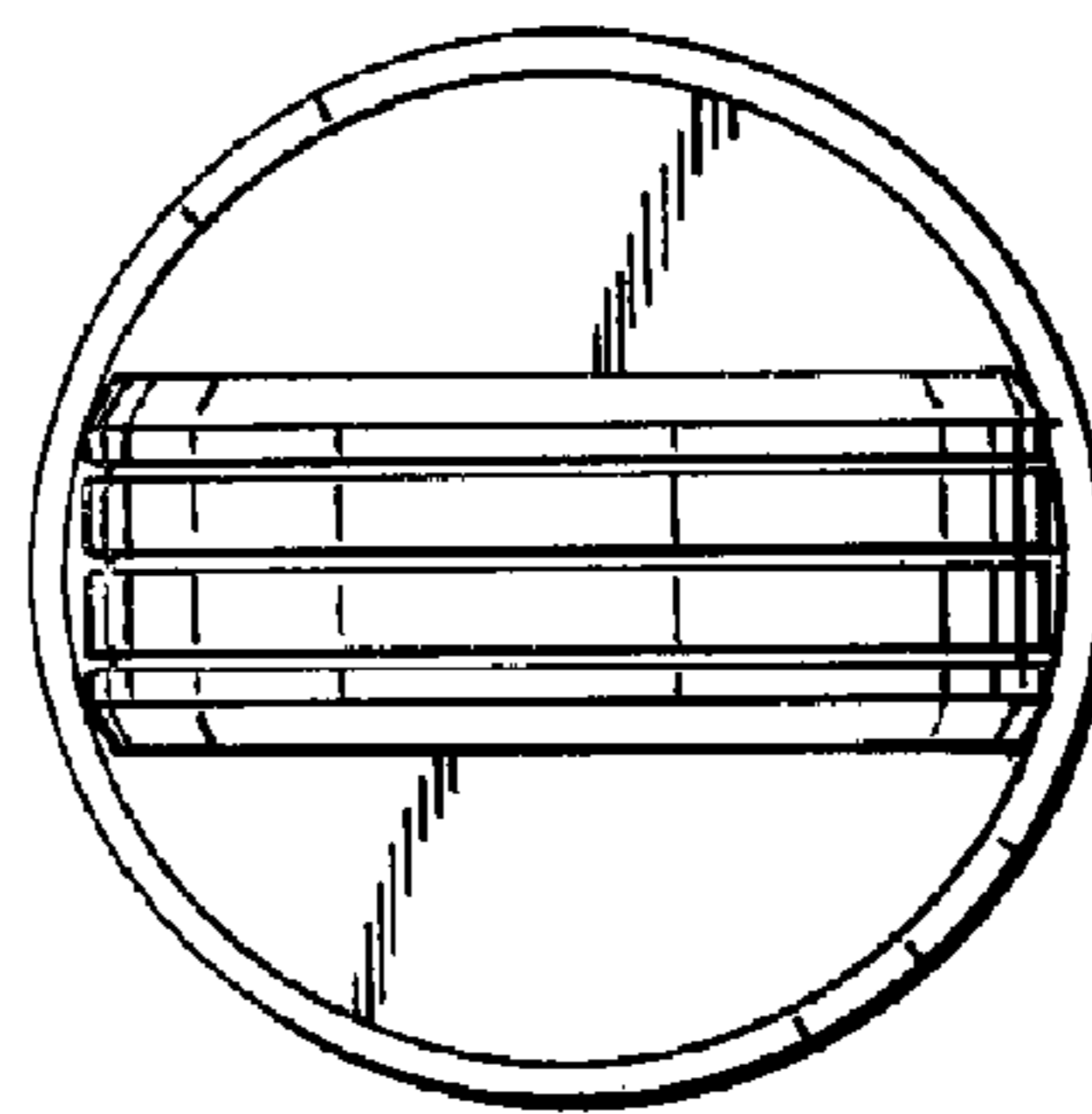


Fig. 4