



US00D677980S

(12) **United States Design Patent**
Levin

(10) **Patent No.:** **US D677,980 S**
(45) **Date of Patent:** **** Mar. 19, 2013**

(54) **CAP FOR PORTABLE BEVERAGE CONTAINER**

(75) Inventor: **Eric Levin**, Westport, CT (US)

(73) Assignee: **Gemini Manufacturing LLC**, White Plains, NY (US)

(**) Term: **14 Years**

(21) Appl. No.: **29/429,953**

(22) Filed: **Aug. 20, 2012**

Related U.S. Application Data

(62) Division of application No. 29/370,037, filed on May 28, 2010, now Pat. No. Des. 666,455.

(51) **LOC (9) Cl.** **07-02**

(52) **U.S. Cl.** **D7/392**

(58) **Field of Classification Search** D7/300, D7/300.1, 317, 391, 392, 392.1, 396.1, 397, D7/398, 509, 510, 511; D9/434, 435, 436, D9/439, 442, 443, 447, 450, 452, 453, 454, D9/520; D24/224; 222/553, 566, 568, 570; 215/200, 217, 222, 223, 238, 243, 305, 316-323, 215/329

See application file for complete search history.

(56) **References Cited**

U.S. PATENT DOCUMENTS

- D47,852 S 9/1915 Kulow
- D248,986 S * 8/1978 Nakata D21/713
- D283,009 S 3/1986 Jennette
- D339,955 S * 10/1993 Katz D7/392.1
- D340,076 S * 10/1993 Turner D19/82
- D357,500 S 4/1995 Mutterperl
- D357,541 S * 4/1995 Neidell D24/197
- D373,310 S 9/1996 Trautmann
- D373,930 S * 9/1996 Gruneisen, III D7/515
- D378,562 S * 3/1997 Miller et al. D7/606
- D383,979 S 9/1997 Tucker
- D385,482 S * 10/1997 Bried et al. D8/378
- D387,613 S 12/1997 Wilson et al.
- D390,112 S 2/1998 Tucker

- D391,451 S * 3/1998 Todorya D7/606
- D391,478 S 3/1998 D'Arrigo
- D394,884 S * 6/1998 Paolucci D21/372
- D400,395 S 11/1998 Wilson
- D400,440 S 11/1998 Tucker
- D401,197 S * 11/1998 Julian D12/162
- D402,599 S * 12/1998 Adelaar D12/162
- D404,696 S 1/1999 Julian
- D405,639 S 2/1999 Clark et al.
- D409,443 S * 5/1999 Clark et al. D7/515
- D409,537 S 5/1999 Adelaar
- D415,929 S * 11/1999 D'Arrigo D7/515
- D421,033 S 2/2000 Shirley et al.
- D425,706 S * 5/2000 Calderone D4/116
- D426,137 S 6/2000 Ball et al.
- D427,514 S 7/2000 Roth et al.
- D429,114 S 8/2000 Malusek
- D431,155 S * 9/2000 Cragg D7/402
- D437,681 S * 2/2001 Weinstock D3/215
- D440,038 S * 4/2001 Weinstock D3/215
- D446,072 S 8/2001 Cohen
- D446,355 S 8/2001 Weinstock
- D447,172 S * 8/2001 Cohen D19/42
- D457,846 S * 5/2002 Burden D12/204
- D469,571 S * 1/2003 Franzblau D27/193
- D477,260 S 7/2003 Hovren

(Continued)

Primary Examiner — Cynthia M Chin

(74) *Attorney, Agent, or Firm* — Edwards Wildman Palmer LLP; Scott D. Wofsy

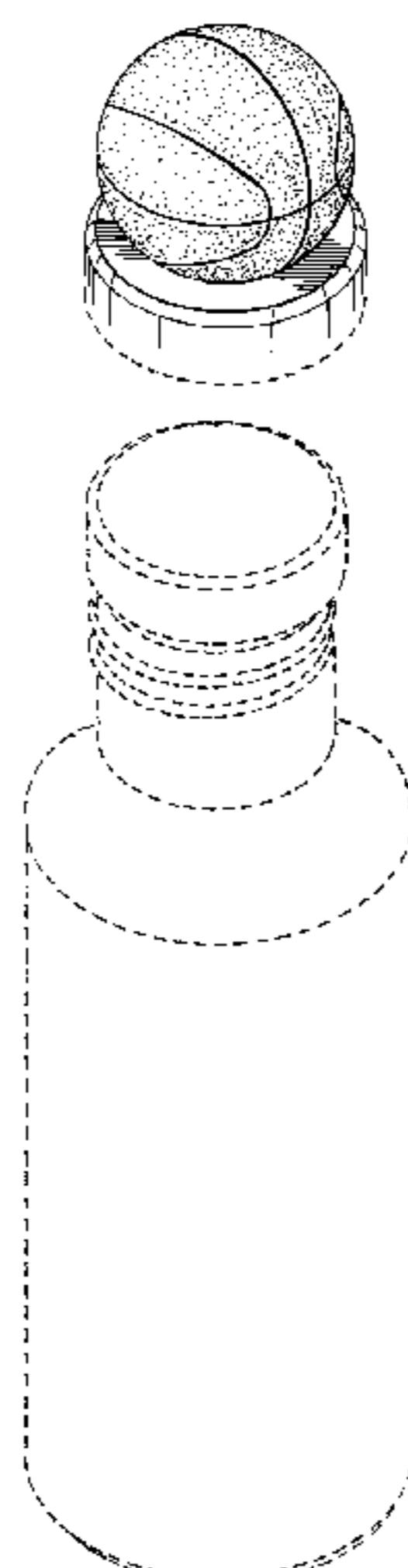
(57) **CLAIM**

The ornamental design for a cap for portable beverage container, as shown and described.

DESCRIPTION

FIG. 1 is a perspective view of the cap; FIG. 2 is a front elevation of the cap; FIG. 3 is side elevational of the cap; and, FIG. 4 is a top plan view of the cap. The broken lines showing the base of the cap and beverage bottle are included for the purpose of illustrating the unclaimed portions of the article and forms no part of the claimed design.

1 Claim, 1 Drawing Sheet



US D677,980 S

Page 2

U.S. PATENT DOCUMENTS

D482,282 S *	11/2003	Angeletta	D9/451	D575,616 S *	8/2008	Cuffe	D8/307
D489,662 S *	5/2004	Barnes	D12/194	D587,070 S	2/2009	Thompson	
D499,554 S *	12/2004	Ramelli	D4/107	D591,109 S *	4/2009	Thompson	D7/515
D505,688 S *	5/2005	Allen	D16/227	D614,827 S	5/2010	Nakan	
D511,654 S	11/2005	Bailey		D627,358 S *	11/2010	Allo Allo et al.	D14/440
D513,686 S *	1/2006	Bailey	D7/515	D628,441 S	12/2010	LeVere	
D517,856 S *	3/2006	Krasne	D7/354	D638,071 S *	5/2011	Tyler	D21/372
D540,692 S *	4/2007	Yorn et al.	D9/668	D642,466 S	8/2011	Azar	
D551,822 S	9/2007	Gianfrisco et al.		D642,479 S	8/2011	Azar	
D561,652 S *	2/2008	Friga	D12/162	D644,936 S *	9/2011	Gilliard, II	D9/668

* cited by examiner

Fig. 1

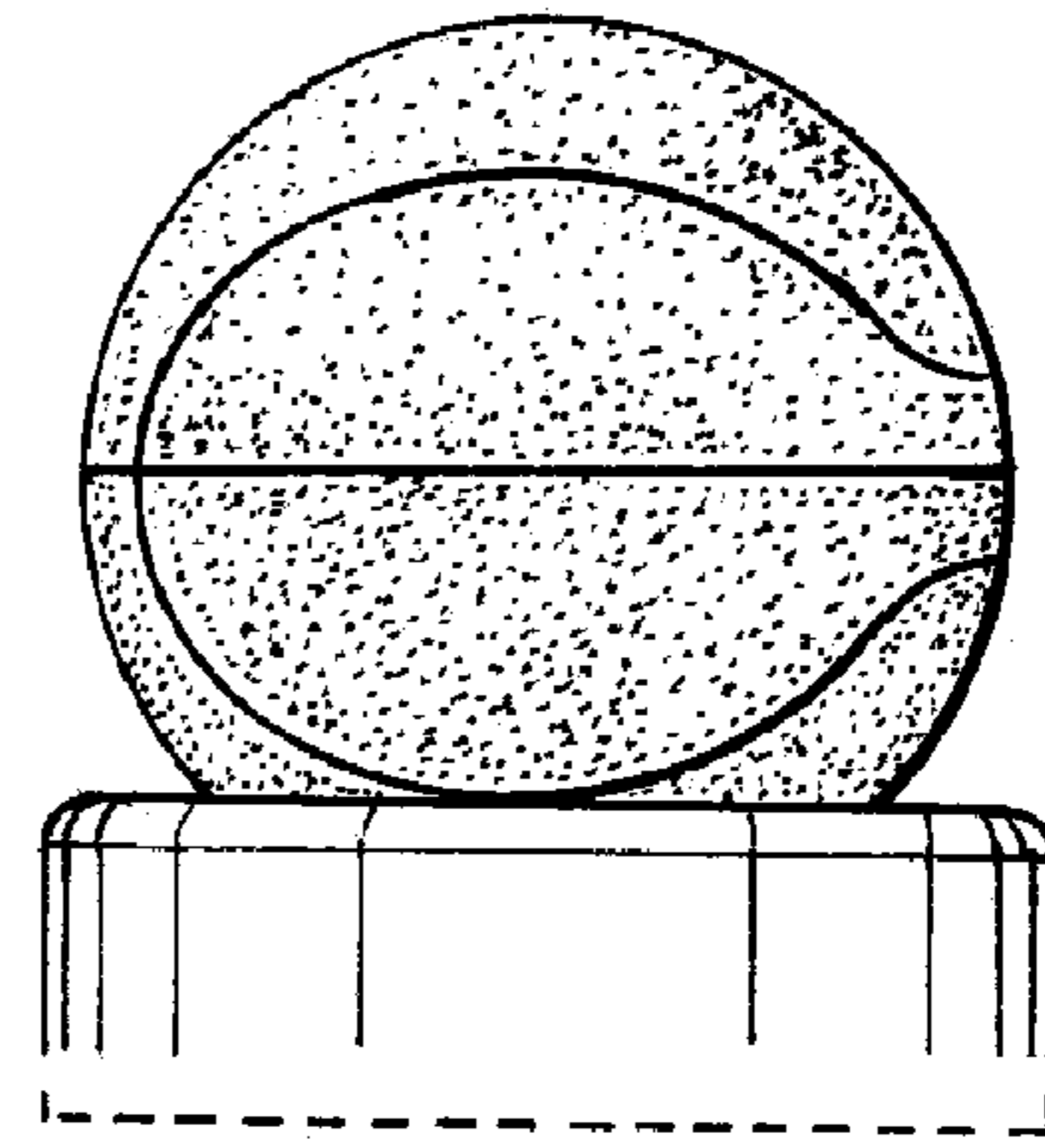
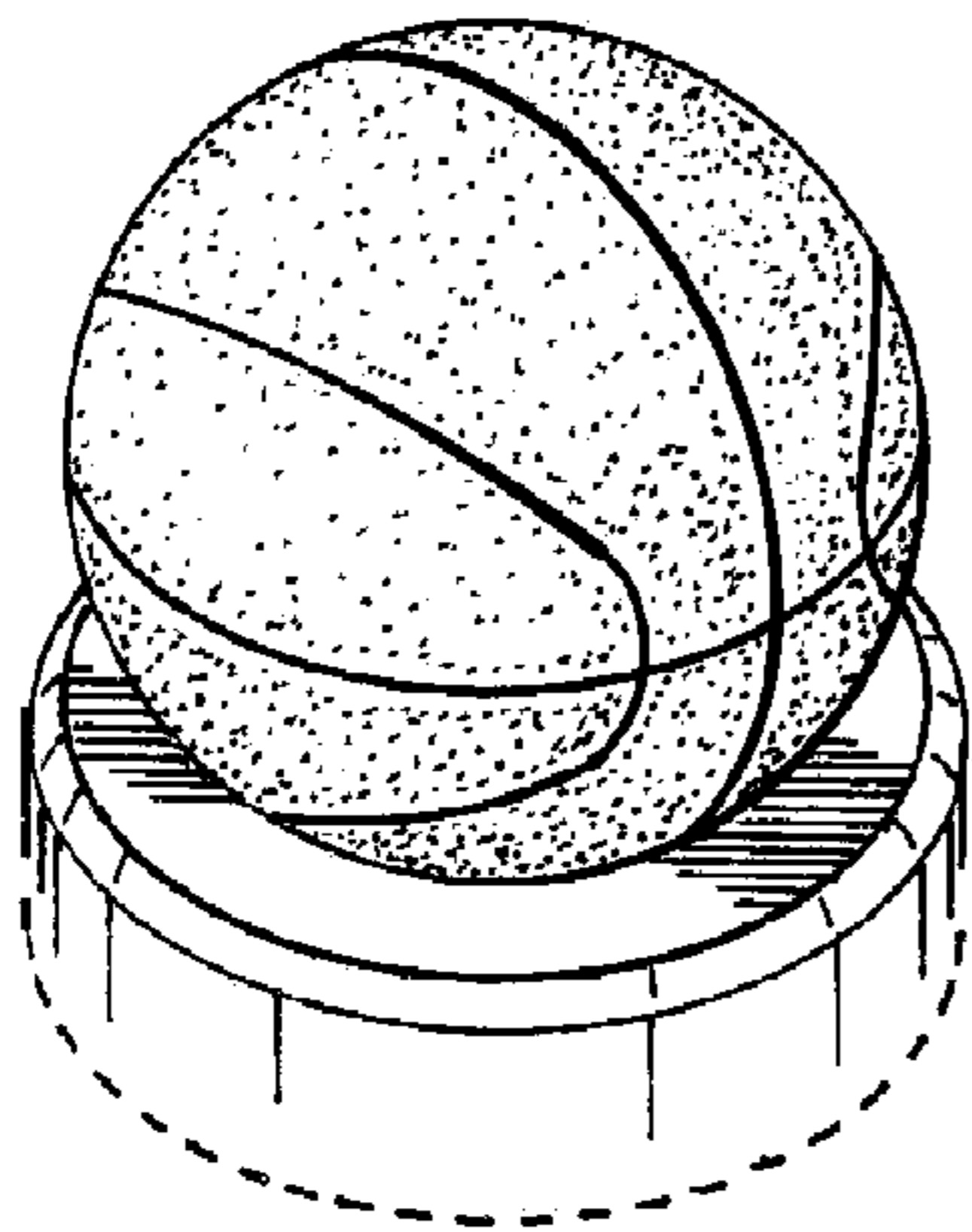


Fig. 2

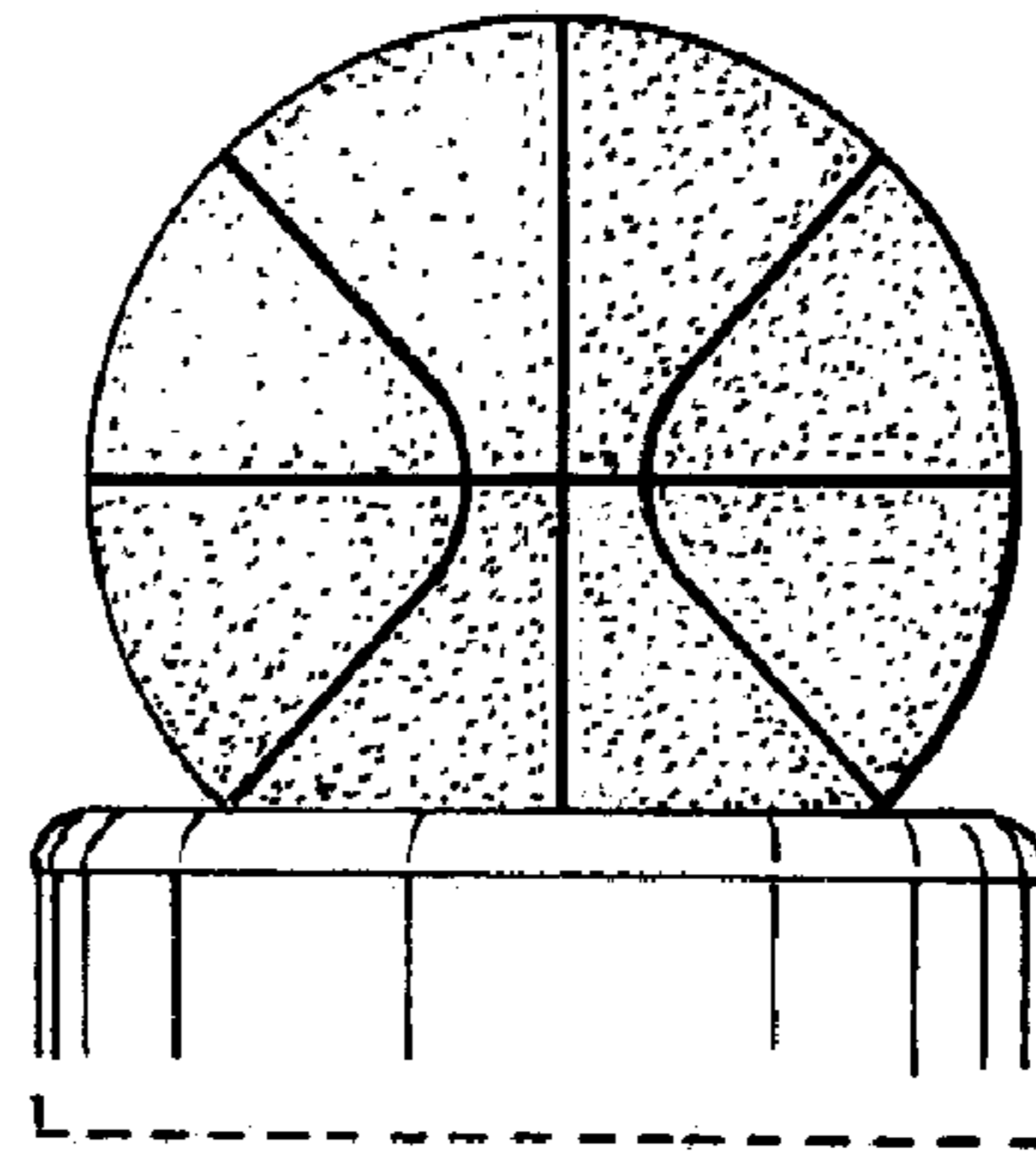
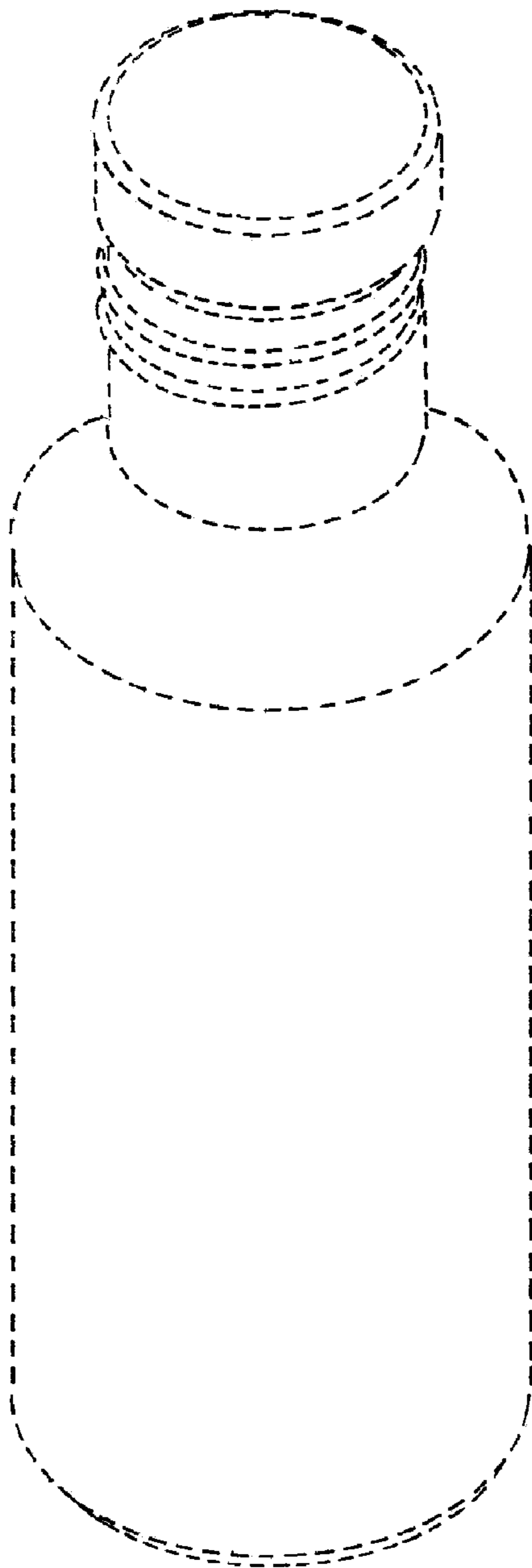


Fig. 3

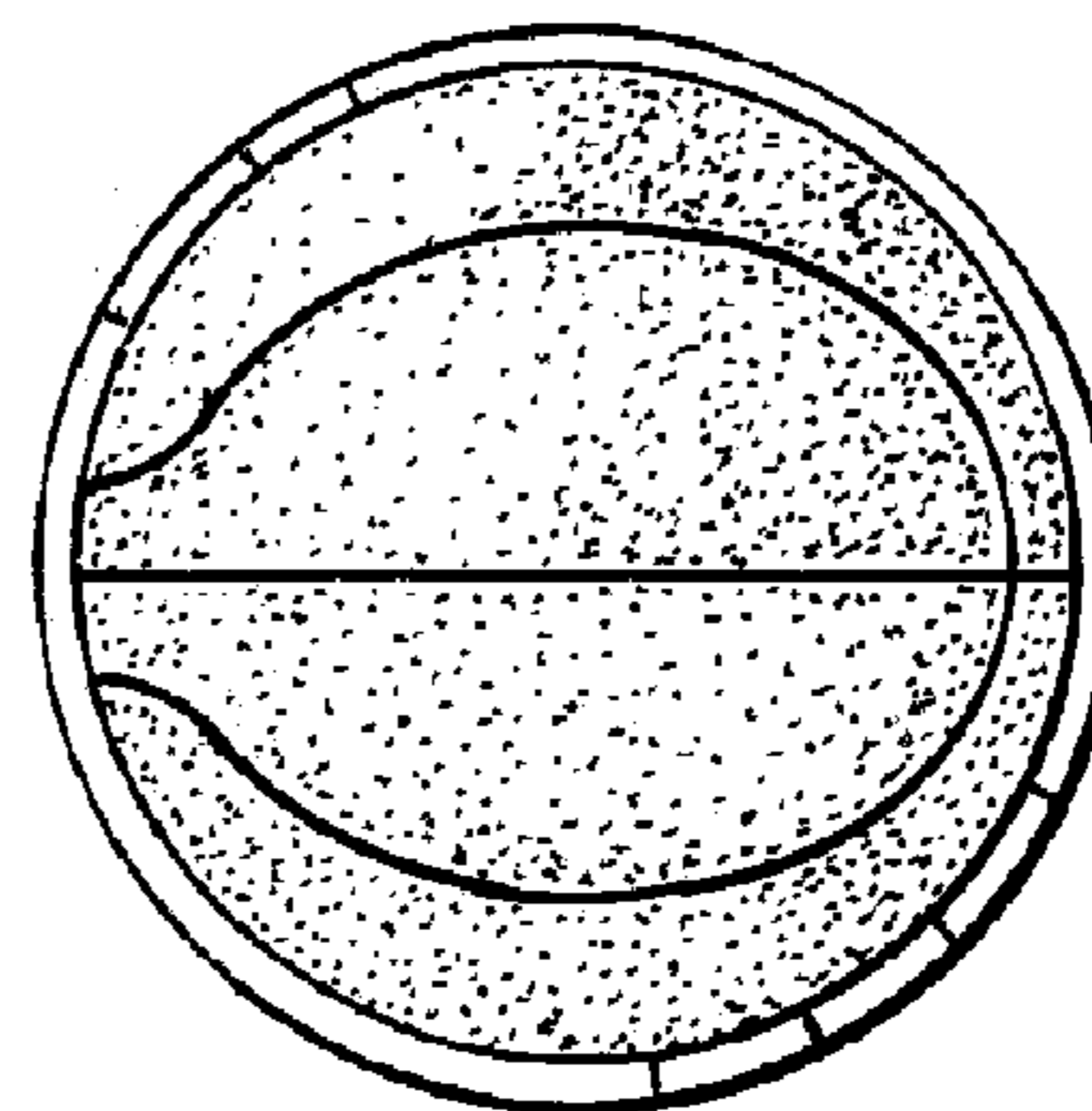


Fig. 4