



US00D677978S

(12) **United States Design Patent**
Evans

(10) **Patent No.:** **US D677,978 S**
(45) **Date of Patent:** **** Mar. 19, 2013**

(54) **PORTABLE CONTAINER LID**

(76) Inventor: **Michael T. Evans**, Lansing, MI (US)

(**) Term: **14 Years**

(21) Appl. No.: **29/419,576**

(22) Filed: **Apr. 30, 2012**

(51) **LOC (9) Cl.** **07-02**

(52) **U.S. Cl.** **D7/391**

(58) **Field of Classification Search** D7/323,
D7/329-332, 337-339, 346-347, 350.1-350.4,
D7/353-367, 391-395, 396.2, 402-406, 538,
D7/542-543, 602, 629; D9/422-426, 435-436,
D9/444-449, 503; D24/108, 140; D26/120;
D28/16; D99/5; 34/92; 43/121; 99/324-325,
99/330-332, 337-340, 369, 400-418, 422,
99/425, 444, 483; 126/37 R, 41 R, 261, 378.1;
206/15.2, 501-505, 507-508; 219/387, 400,
219/405, 429-442, 452.11, 620-624, 725,
219/730-735; 220/254.9, 270, 315, 573.1-573.5,
220/785, 912; 600/201

See application file for complete search history.

(56) **References Cited**

U.S. PATENT DOCUMENTS

2,742,709	A *	4/1956	De Woody et al.	34/92
D207,982	S *	6/1967	Petertil	D28/16
D376,510	S *	12/1996	Ting	D7/332
D383,640	S *	9/1997	Yu	D7/337
D412,086	S *	7/1999	Bossler	D7/402
D417,362	S *	12/1999	Ting	D7/402
D435,753	S *	1/2001	Pai	D7/332
D444,663	S *	7/2001	Samaras	D7/337
D450,219	S *	11/2001	Smith	D7/538
D461,994	S *	8/2002	Hung	D7/402
D463,707	S *	10/2002	Bossler	D7/332
D504,798	S *	5/2005	Nipke et al.	D7/402

D523,333	S *	6/2006	Moretti	D9/444
D566,832	S *	4/2008	Thom et al.	D24/108
D609,340	S *	2/2010	Eder et al.	D24/140
D614,453	S *	4/2010	Curtin et al.	D7/629
D614,825	S *	4/2010	Biegel	D99/5
D615,807	S *	5/2010	Creel	D7/358
D616,174	S *	5/2010	Beigel	D99/5
D621,124	S *	8/2010	Biegel	D99/5
D625,950	S *	10/2010	Regnart	D7/391
D631,185	S *	1/2011	Ku et al.	D26/120
D639,524	S *	6/2011	Biegel	D99/5
D641,631	S *	7/2011	Kawahara et al.	D9/503
2005/0072039	A1 *	4/2005	Wong	43/121
2008/0058603	A1 *	3/2008	Edelstein et al.	600/201

* cited by examiner

Primary Examiner — Ricky Pham

(74) *Attorney, Agent, or Firm* — Knechtel, Demeur & Samlan

(57) **CLAIM**

I claim the ornamental design for a portable container lid, as shown and described.

DESCRIPTION

FIG. 1 is a perspective view of the portable container lid showing the new design thereof.

FIG. 2 is a top plan view thereof.

FIG. 3 is a front side elevational view thereof.

The rear side elevational view thereof is the exact same as the front side elevational view.

FIG. 4 is a left side elevational view thereof.

The right side elevational view thereof is the exact same as the left side elevational view; and,

FIG. 5 is a bottom plan view thereof.

The broken lines for the portable container lid throughout FIGS. 1 through 5 are for illustrative purposes only and form no part of the claimed design.

1 Claim, 3 Drawing Sheets

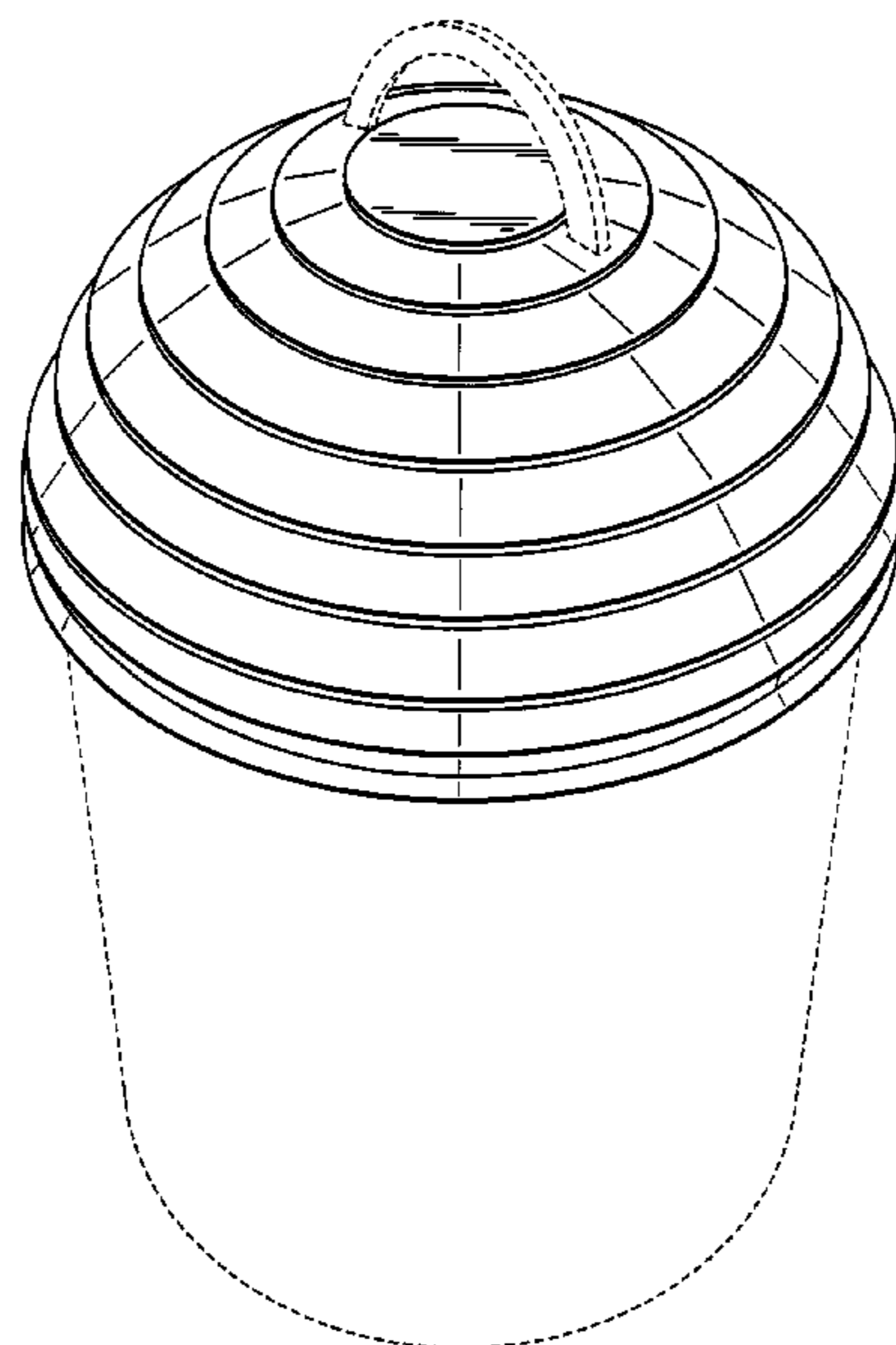


Fig. 1

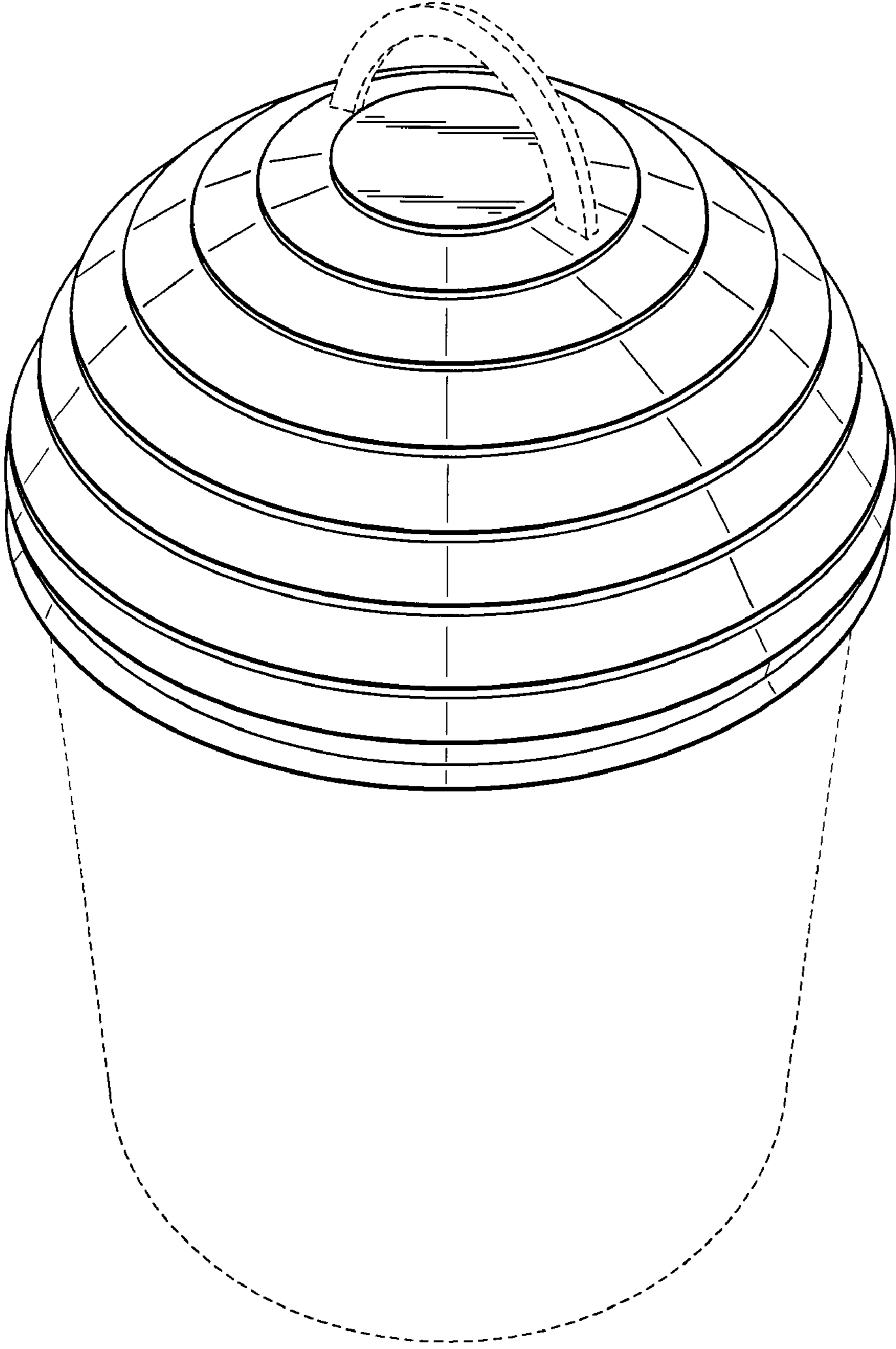


Fig. 2

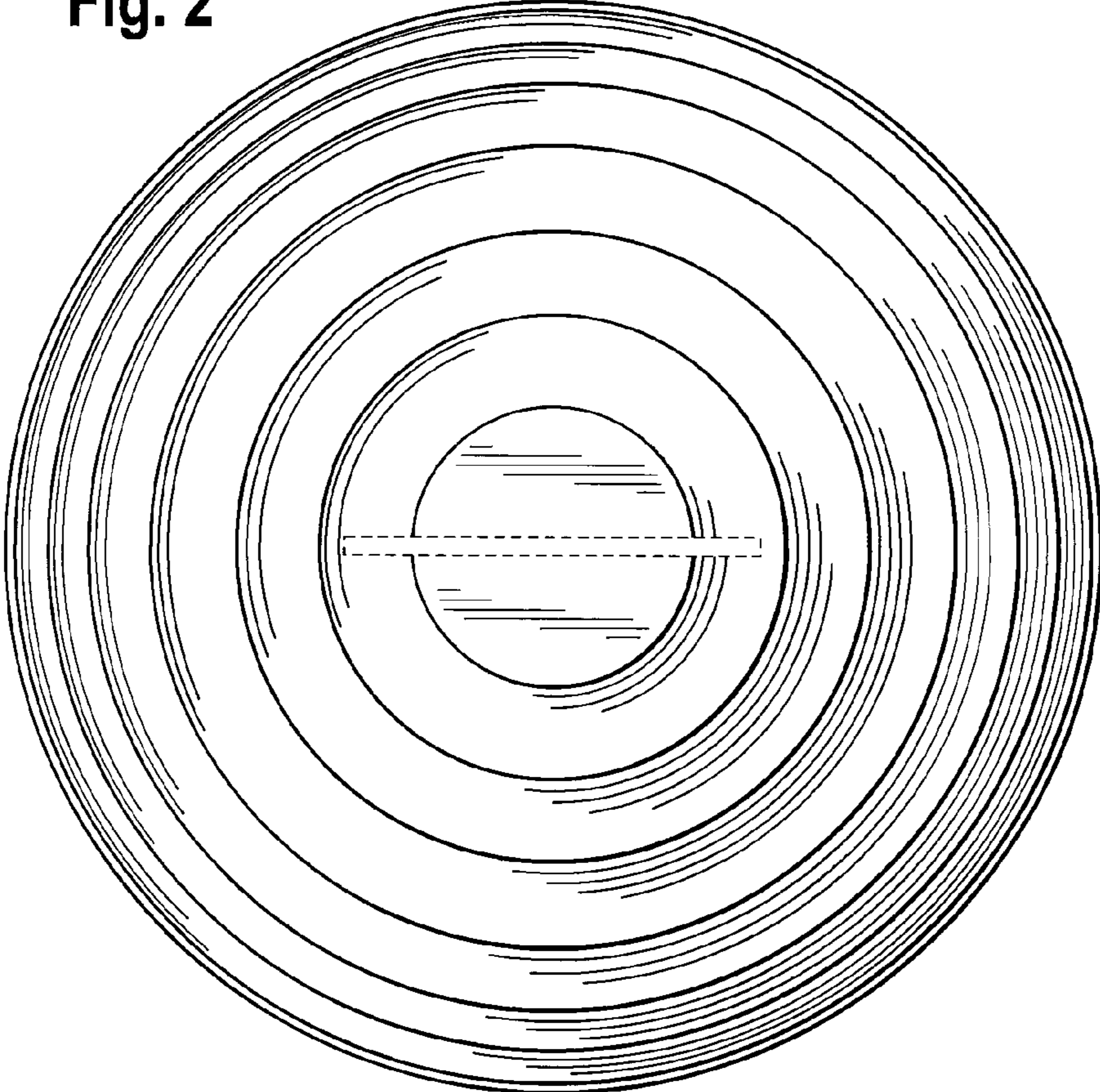


Fig. 3

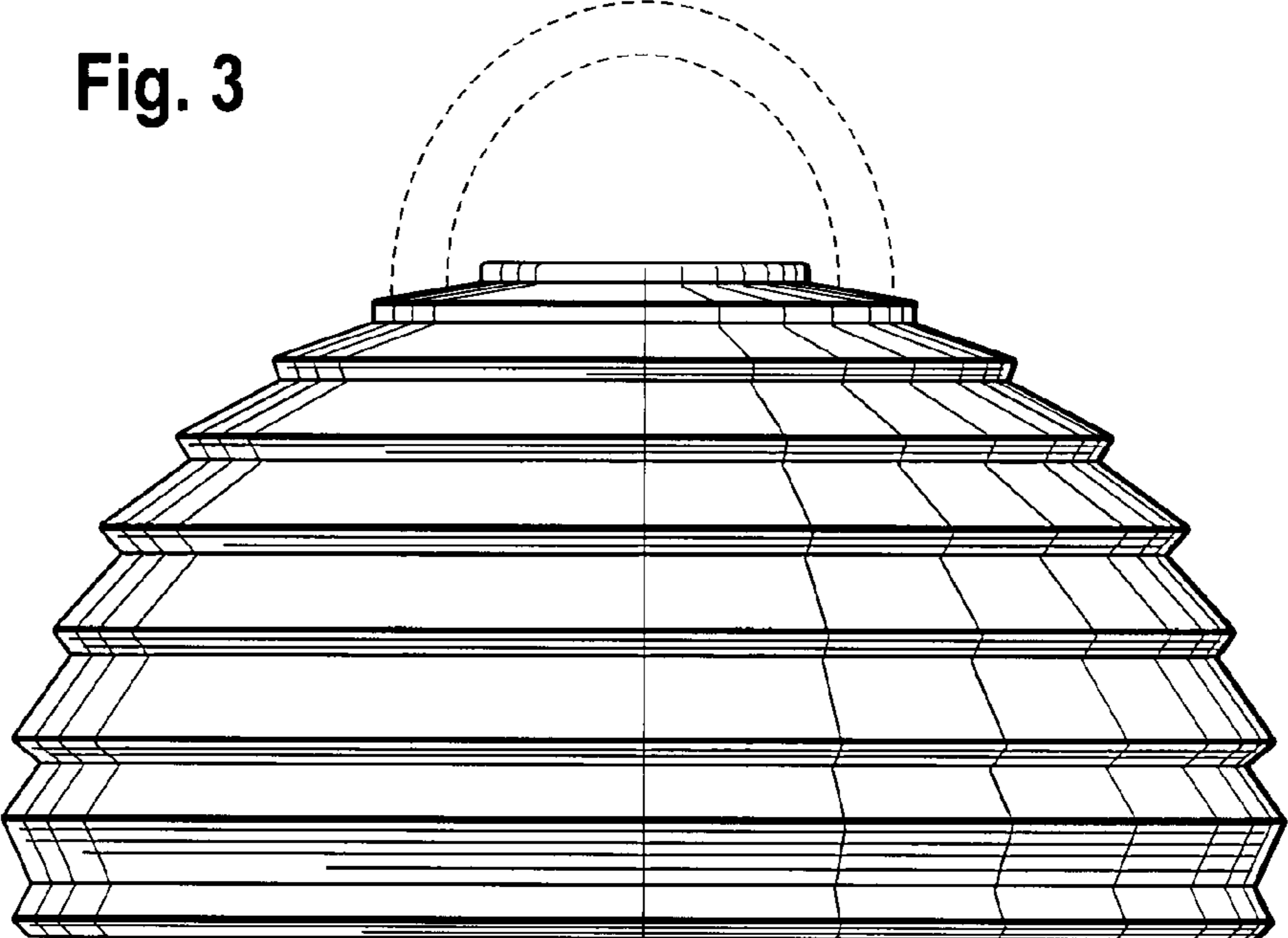


Fig. 4

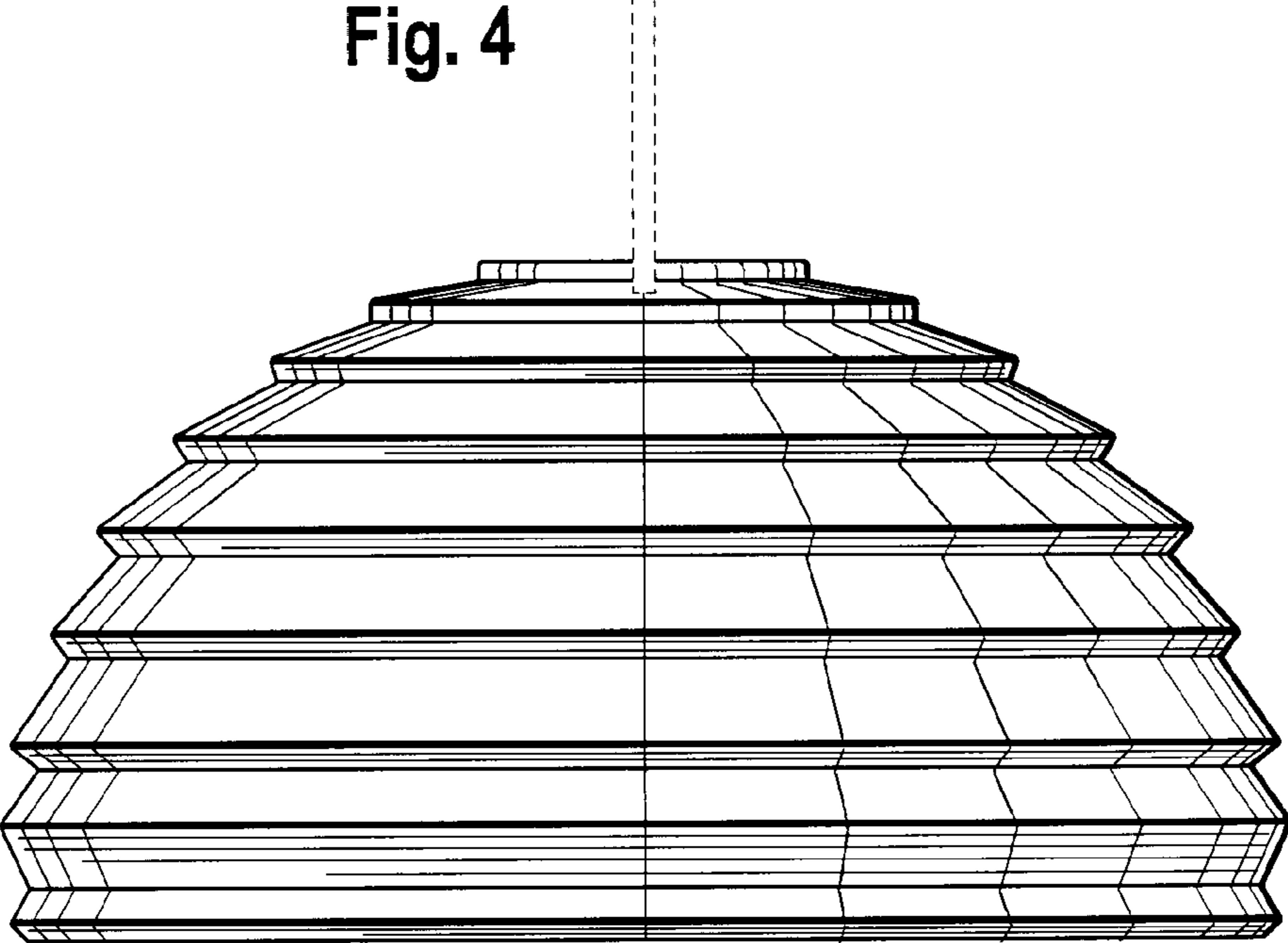


Fig. 5

