



US00D677976S

(12) **United States Design Patent**  
**Palermo et al.**

(10) **Patent No.:** **US D677,976 S**  
(45) **Date of Patent:** **\*\* Mar. 19, 2013**

(54) **BLENDER BASE**

(71) Applicant: **Sunbeam Products, Inc.**, Boca Raton,  
FL (US)

(72) Inventors: **Joseph Palermo**, Boynton Beach, FL  
(US); **Nathan Careless**, Medford, MA  
(US)

(73) Assignee: **Sunbeam Products, Inc.**, Boca Raton,  
FL (US)

(\*\*) Term: **14 Years**

(21) Appl. No.: **29/436,011**

(22) Filed: **Oct. 31, 2012**

(51) **LOC (9) Cl.** ..... **31-00**

(52) **U.S. Cl.** ..... **D7/386; D7/376; D7/378; D7/412**

(58) **Field of Classification Search** ..... D7/301–313,  
D7/316–319, 356–357, 368, 372–386, 391–398,  
D7/412–415, 503, 515, 665, 679, 691–693,  
D7/706; 99/275, 287, 326, 348, 492, 508–512;  
241/30–37.5, 101.01–101.2, 166–169.1,  
241/172, 272, 285.1–285.3, 291, 292.1; 366/64–67,  
366/98, 130, 142–144, 192–212, 241–254,  
366/262, 279–292, 325.8, 325.92, 341–347;  
416/75–77, 70 R, 163

See application file for complete search history.

(56) **References Cited**

U.S. PATENT DOCUMENTS

D242,208	S	*	11/1976	Madl et al. ....	D7/386
D450,978	S	*	11/2001	Smith .....	D7/378
D552,419	S	*	10/2007	Picozza et al. ....	D7/412
D577,537	S	*	9/2008	Lee .....	D7/386
D605,462	S	*	12/2009	Picozza et al. ....	D7/386
D647,357	S	*	10/2011	Audette et al. ....	D7/386
D660,643	S	*	5/2012	Boozer et al. ....	D7/386
D667,259	S	*	9/2012	Lee et al. ....	D7/386
D667,260	S	*	9/2012	Lee et al. ....	D7/386
D667,261	S	*	9/2012	Lee et al. ....	D7/386
D668,100	S	*	10/2012	Palermo et al. ....	D7/386

\* cited by examiner

*Primary Examiner* — Ricky Pham

(74) *Attorney, Agent, or Firm* — Michael J. Corrigan

(57) **CLAIM**

The ornamental design for the blender base, as shown and described.

**DESCRIPTION**

FIG. 1 is a front perspective view of the blender base;  
FIG. 2 is a front view thereof;  
FIG. 3 is a rear view thereof;  
FIG. 4 is left side view thereof;  
FIG. 5 is a right side view thereof;  
FIG. 6 is a top view thereof; and,  
FIG. 7 is a bottom view thereof.

The portion shown in dashed lines is shown for illustrative purposes only and forms no part of the claimed design.

**1 Claim, 4 Drawing Sheets**

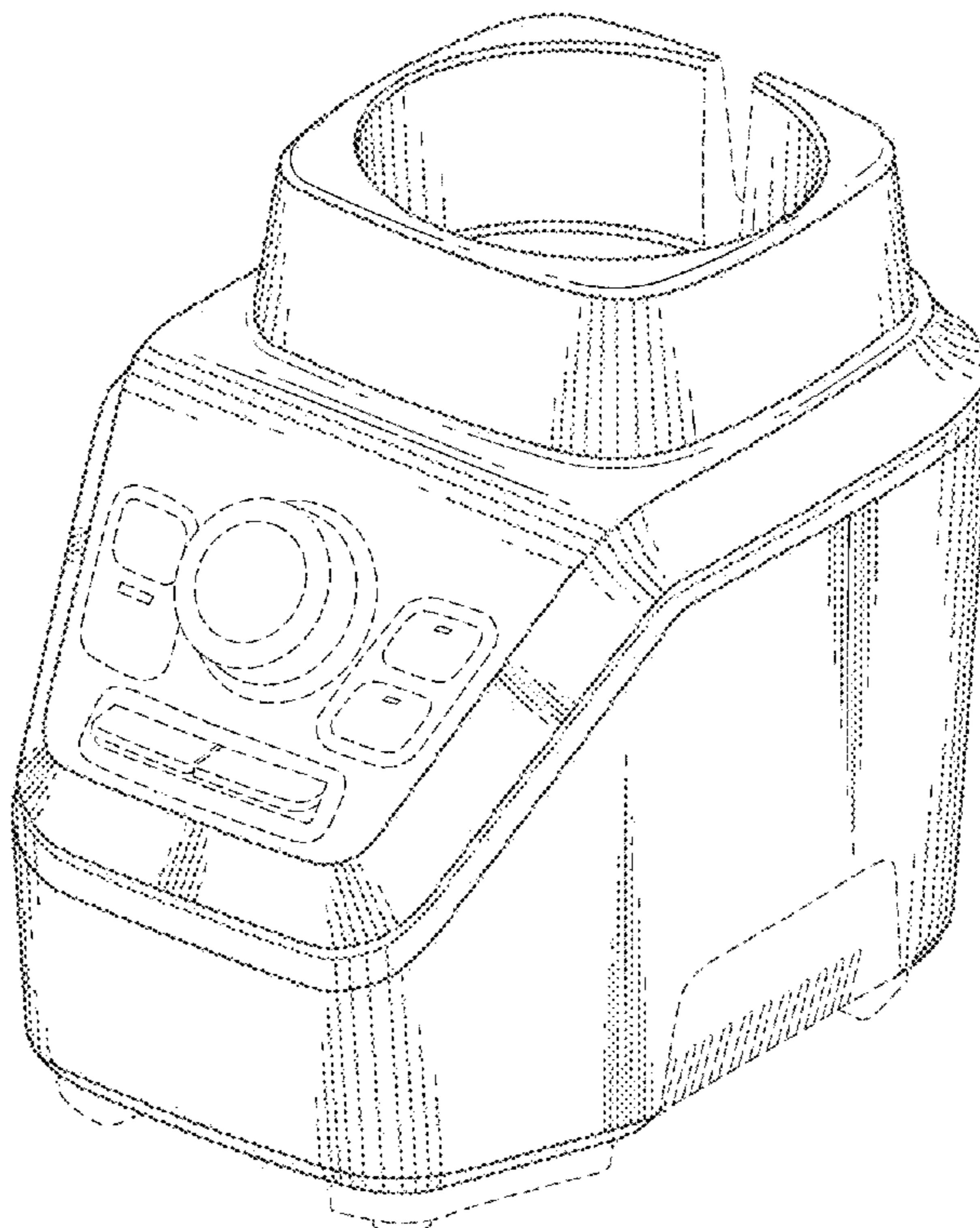


FIG. 1

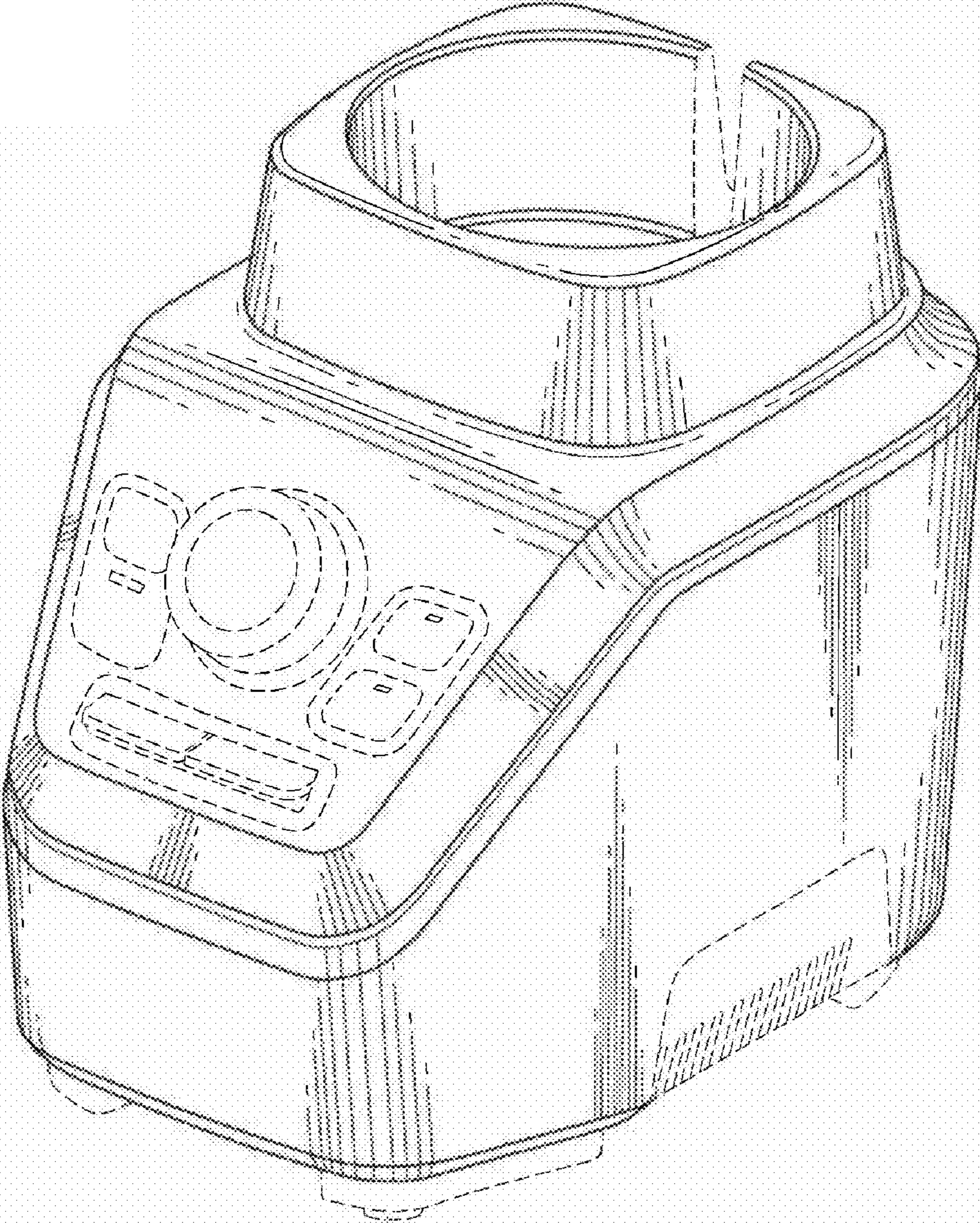


FIG. 2

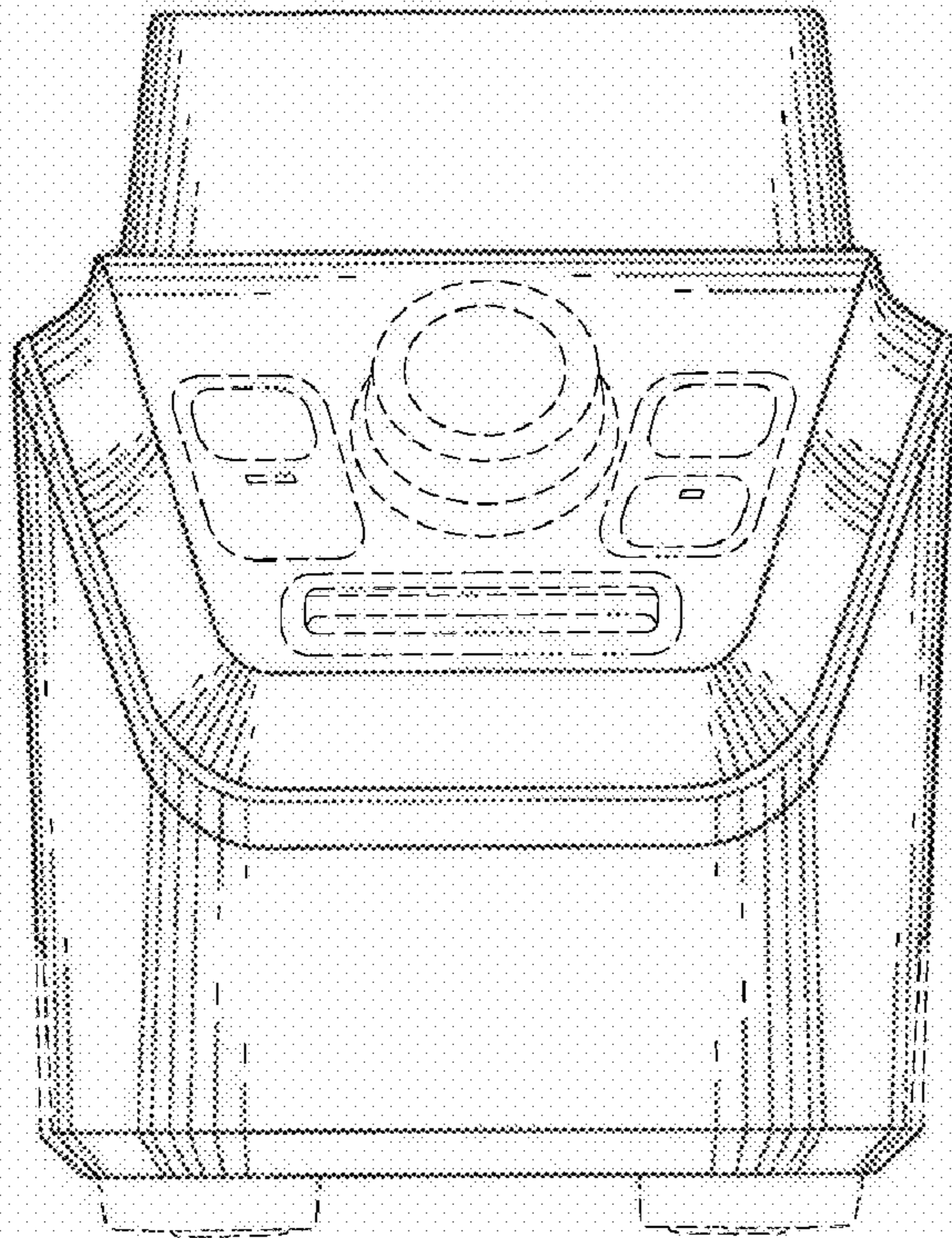


FIG. 3

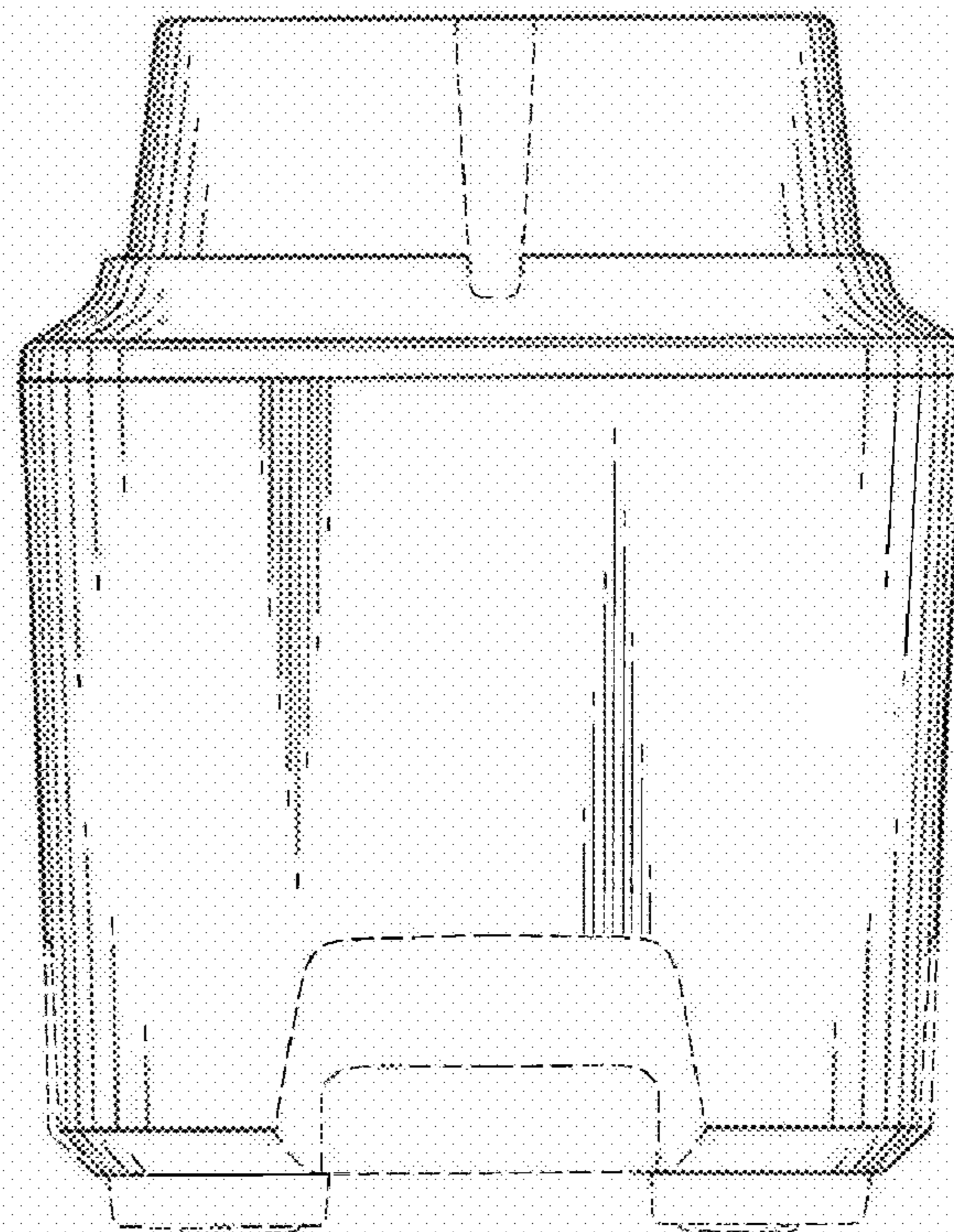


FIG. 4

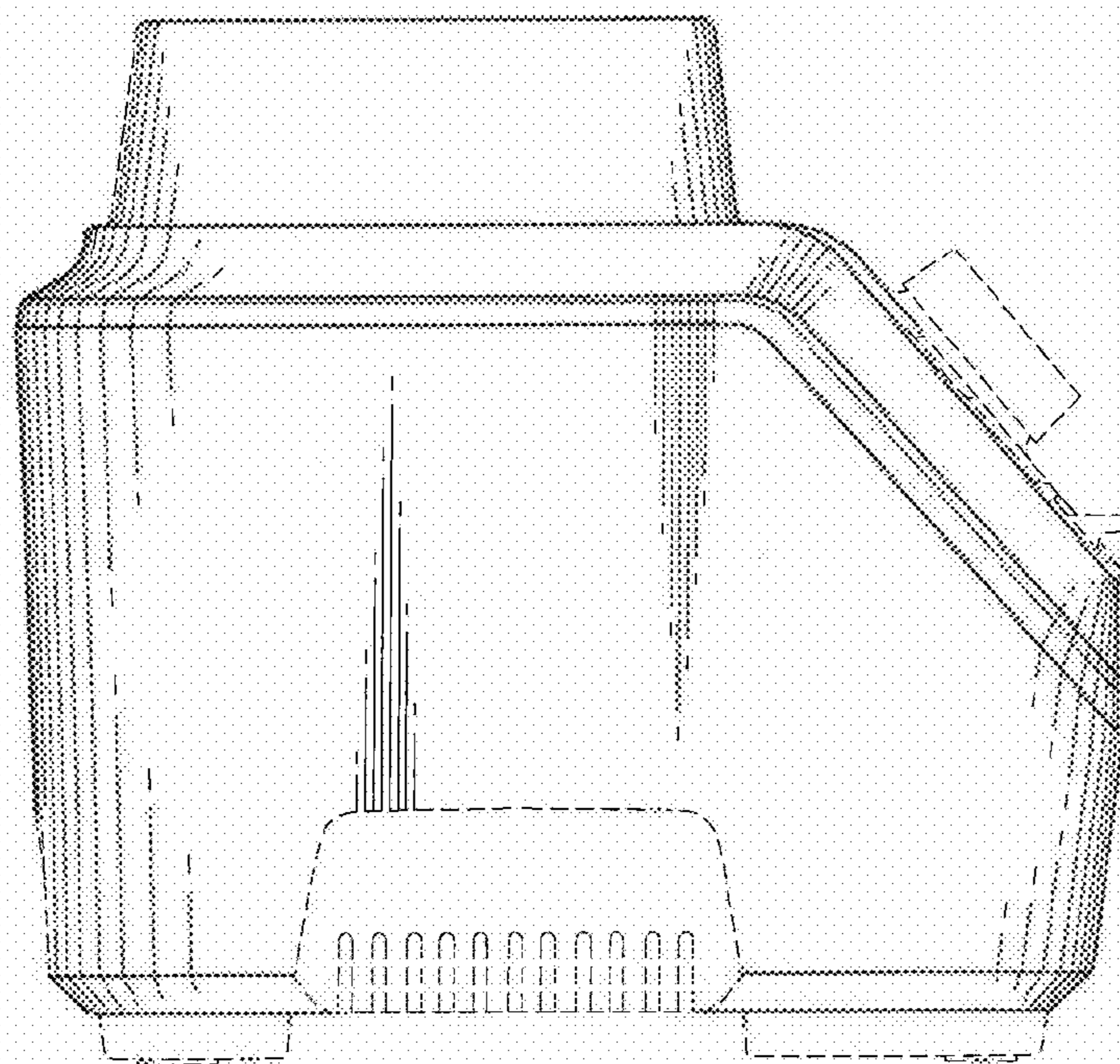


FIG. 5

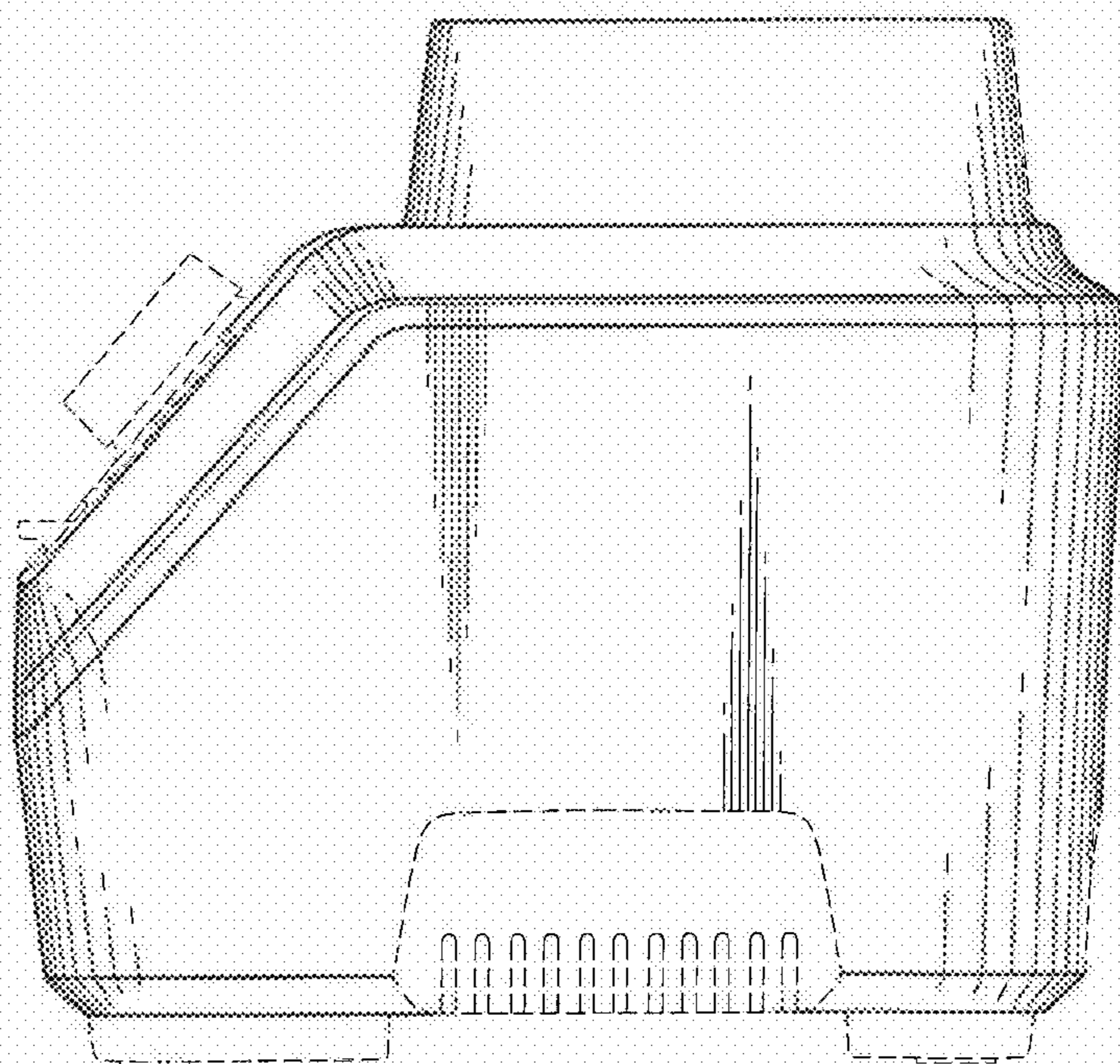


FIG. 6

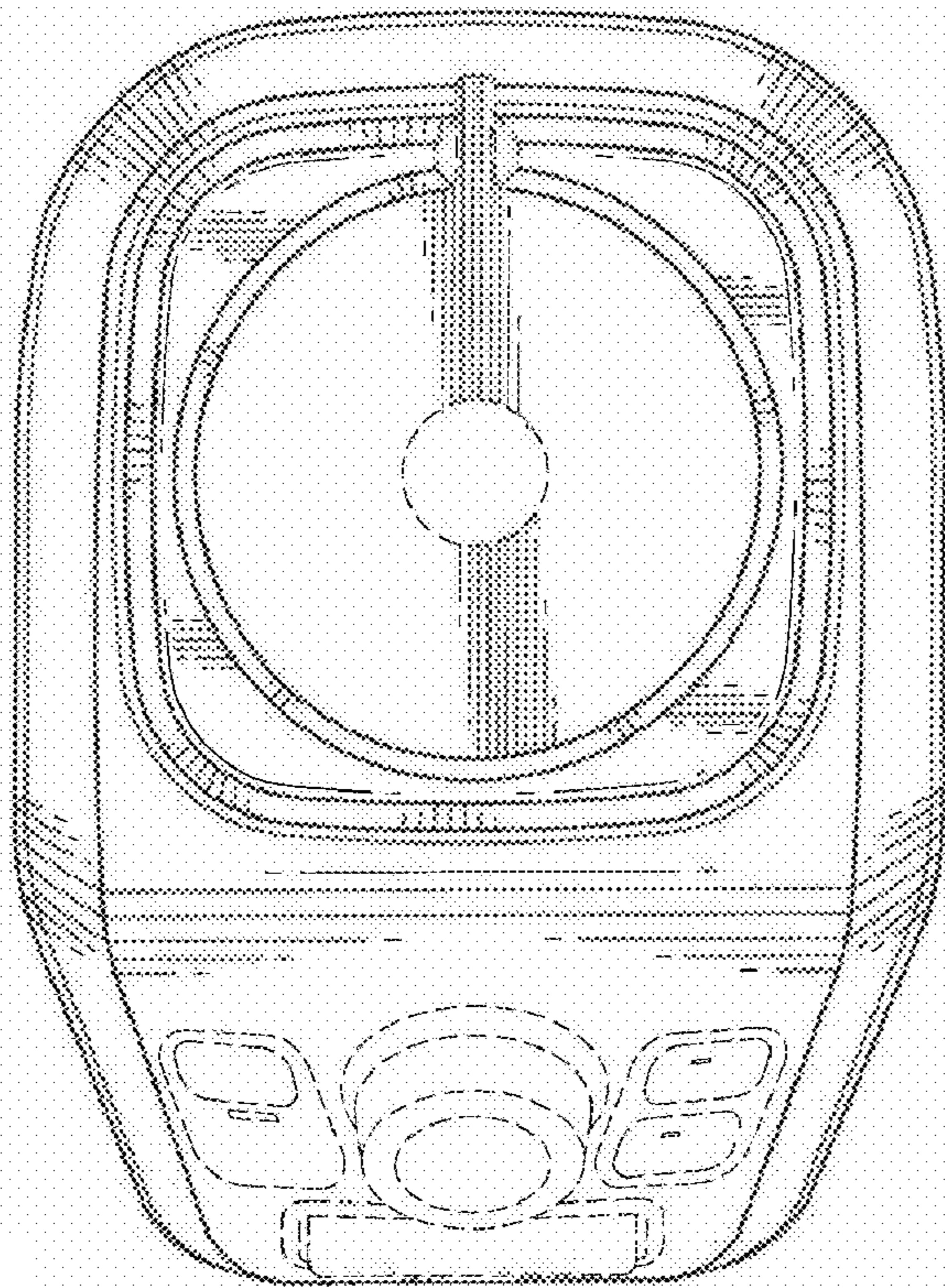


FIG. 7

