



US00D677975S

(12) **United States Design Patent**
Jin et al.

(10) **Patent No.:** **US D677,975 S**
(45) **Date of Patent:** **** Mar. 19, 2013**

(54) **SHREDDER**

(75) Inventors: **Yan Jin**, Guangzhou (CN); **Zhicheng Duan**, Guangzhou (CN)

(73) Assignee: **Guangzhou Fulida Electrical Appliance Co., Ltd.**, Guangzhou (CN)

(**) Term: **14 Years**

(21) Appl. No.: **29/420,418**

(22) Filed: **May 9, 2012**

(30) **Foreign Application Priority Data**

Nov. 9, 2011 (CN) 2011 3 0408550

(51) **LOC (9) Cl.** **31-00**

(52) **U.S. Cl.** **D7/381; D7/372; D7/384; D7/412**

(58) **Field of Classification Search** D7/301-313,
D7/316-319, 356-357, 368, 372-386, 391-398,
D7/412-415, 503, 515, 665, 679, 691-693;
D8/34; 99/326, 348, 492, 508-512; 241/30-37.5,
241/101.01-101.2, 166-169.1, 172, 272,
241/285.1-285.3, 291, 292.1; 366/64-67,
366/98, 129, 142-144, 192-211, 241-254,
366/262, 279-292, 325.8, 325.92, 341-347;
416/75-77, 70 R, 163

See application file for complete search history.

(56) **References Cited**

U.S. PATENT DOCUMENTS

D222,209	S	*	10/1971	Dykes et al.	D7/372
D236,425	S	*	8/1975	McCue	D8/34
4,386,740	A	*	6/1983	Van Deursen	241/93
4,390,133	A	*	6/1983	Wanat	241/93
D300,400	S	*	3/1989	Kelly et al.	D7/381
D348,177	S	*	6/1994	Kelly et al.	D7/381
D484,738	S	*	1/2004	Wong	D7/372
D495,921	S	*	9/2004	Lallemand	D7/372
D553,427	S	*	10/2007	Ball	D7/384

* cited by examiner

Primary Examiner — Ricky Pham

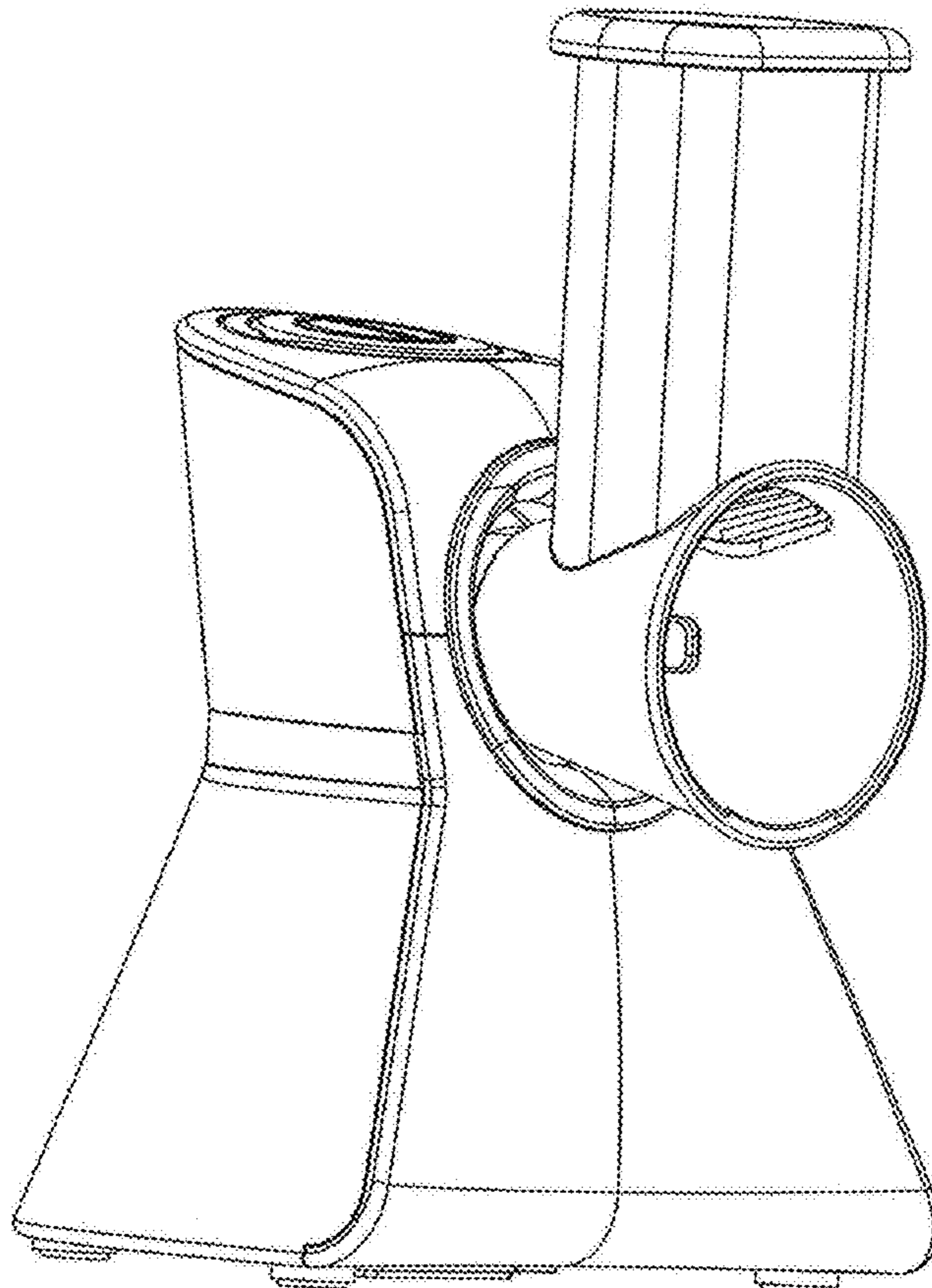
(57) **CLAIM**

The ornamental design for a shredder, as shown and described.

DESCRIPTION

FIG. 1 is a front elevational view of a shredder showing my new design;
FIG. 2 is a left side elevational view thereof;
FIG. 3 is a right side elevational view thereof;
FIG. 4 is a rear elevational view thereof;
FIG. 5 is a top plan view thereof;
FIG. 6 is a bottom plan view thereof; and,
FIG. 7 is a perspective view thereof.

1 Claim, 7 Drawing Sheets



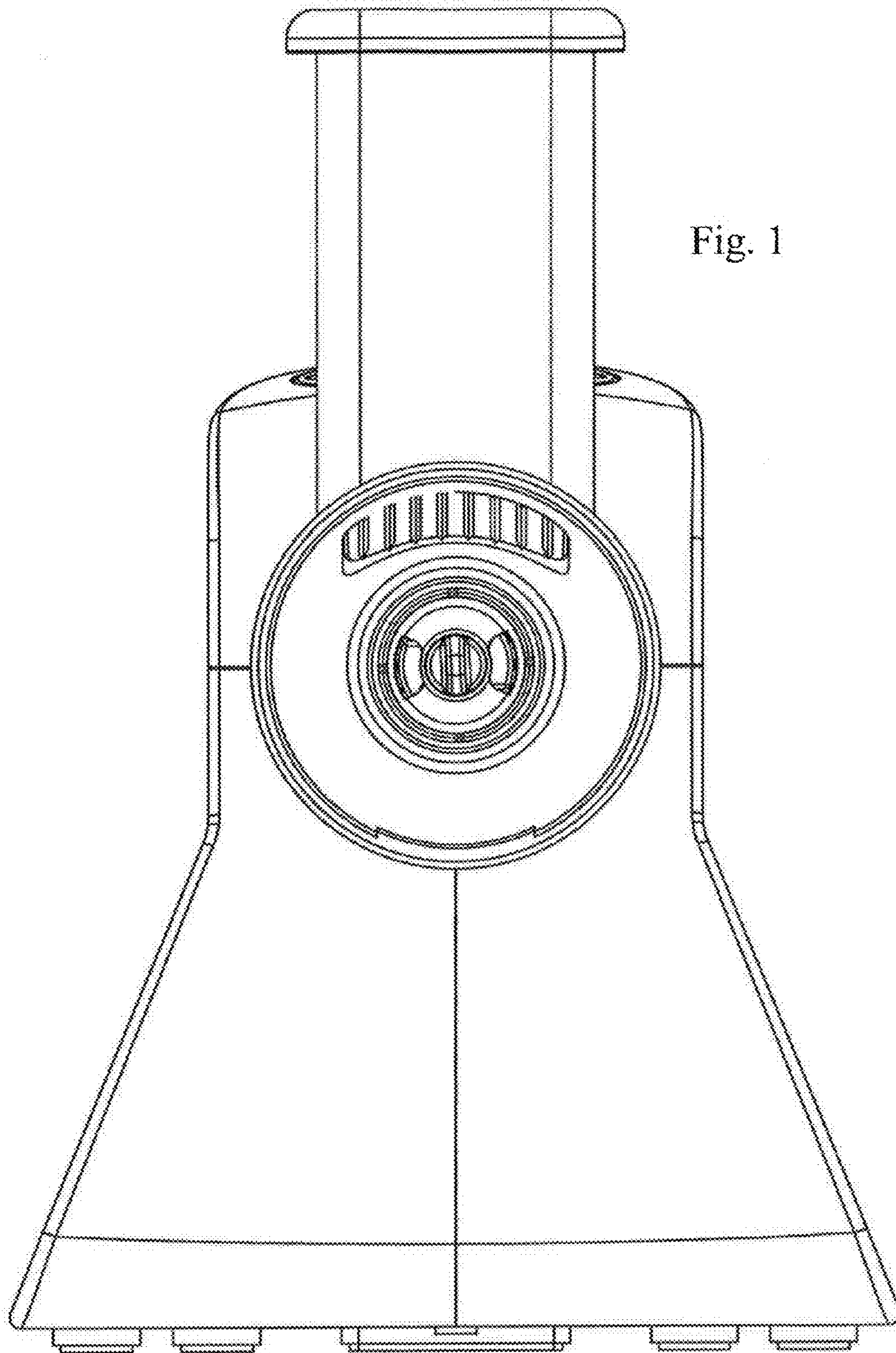
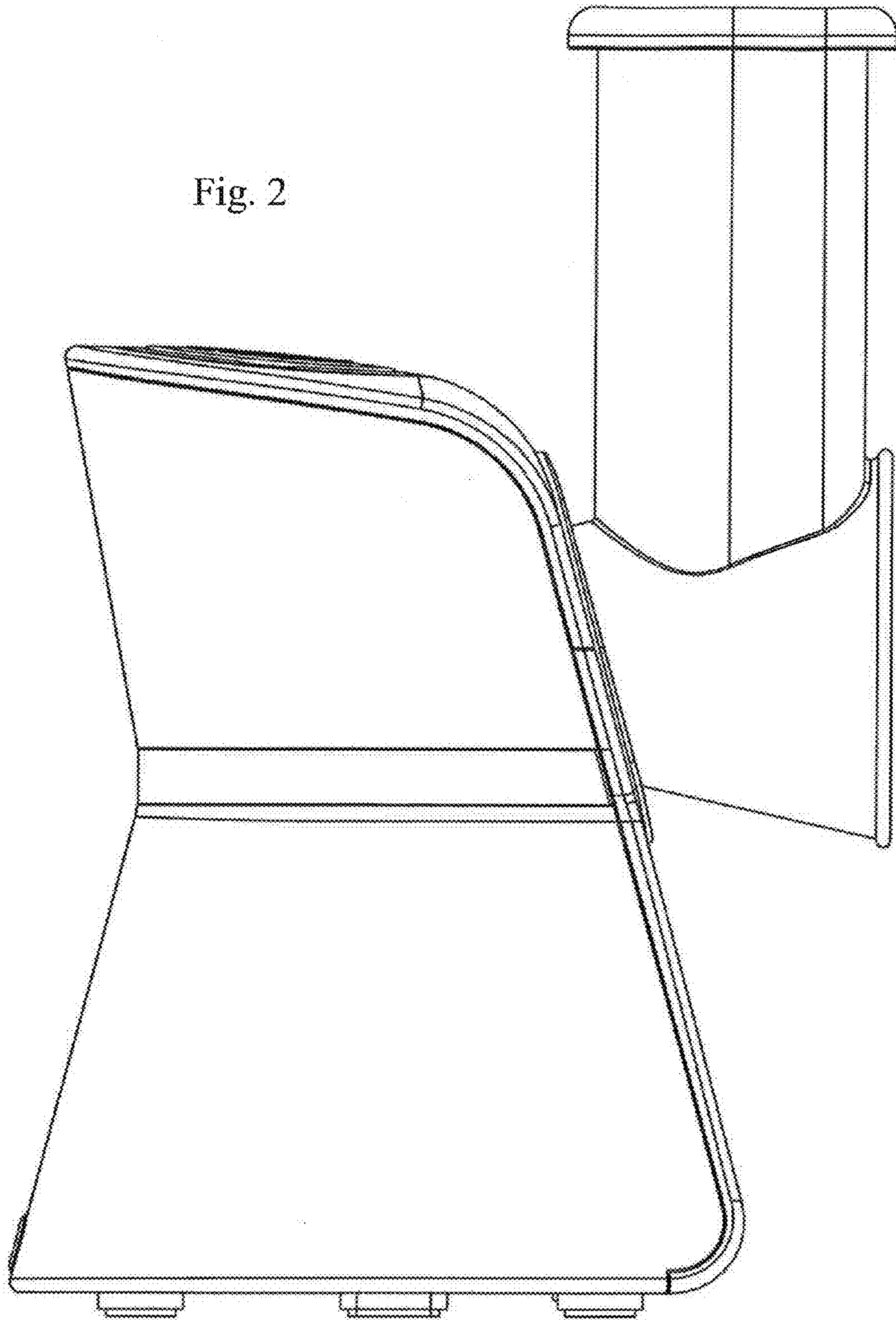


Fig. 1

Fig. 2



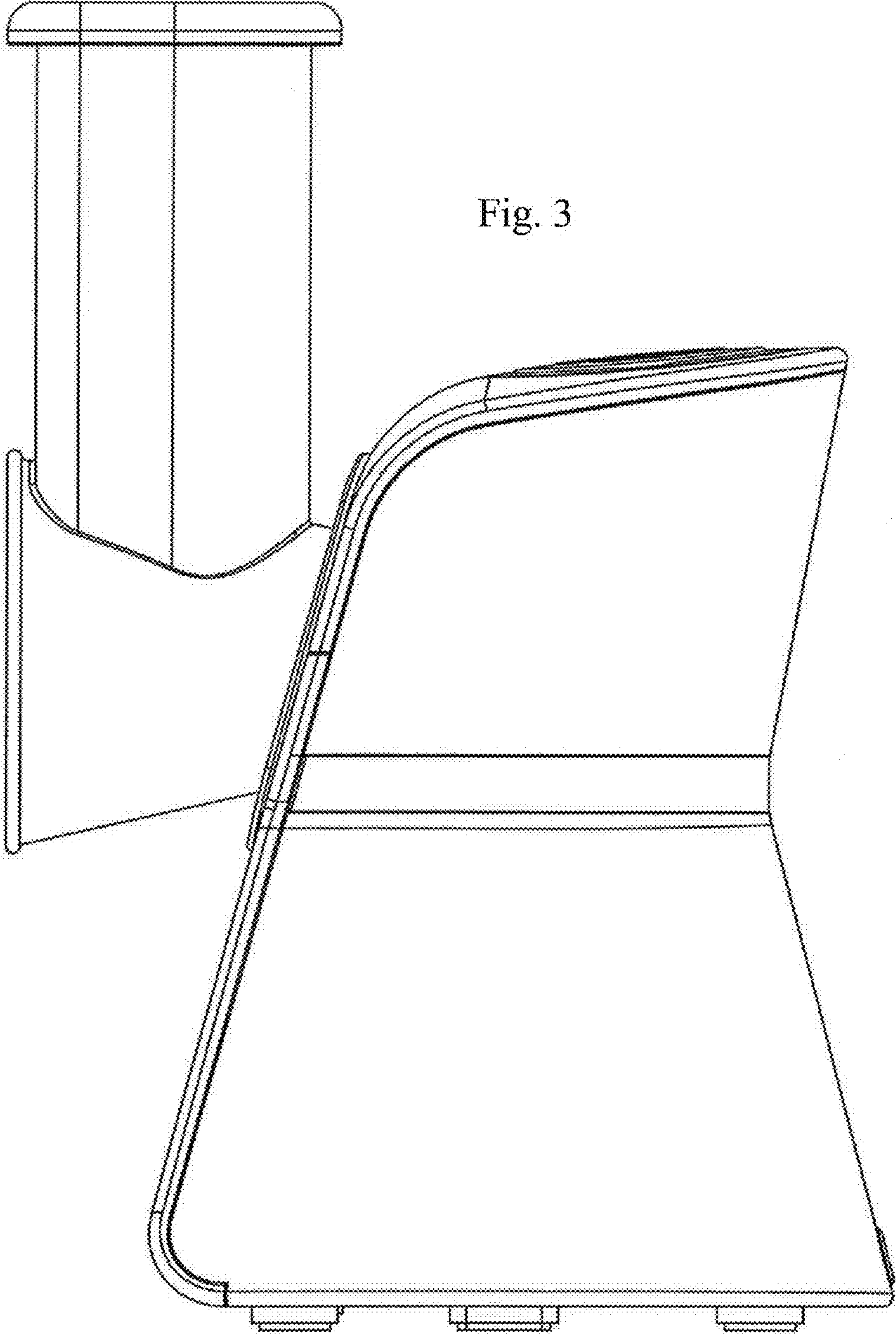


Fig. 3

Fig 4.

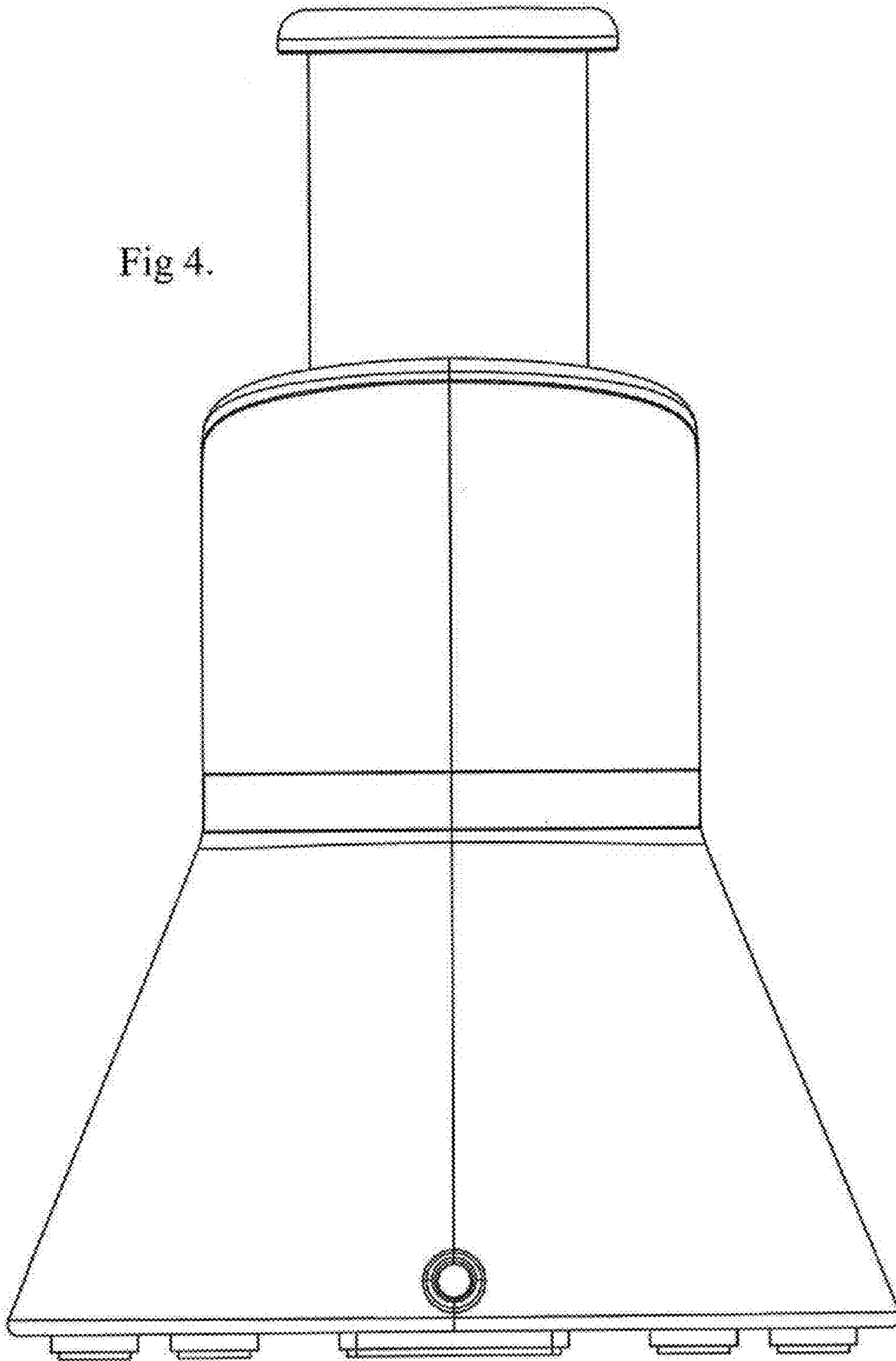


Fig. 5

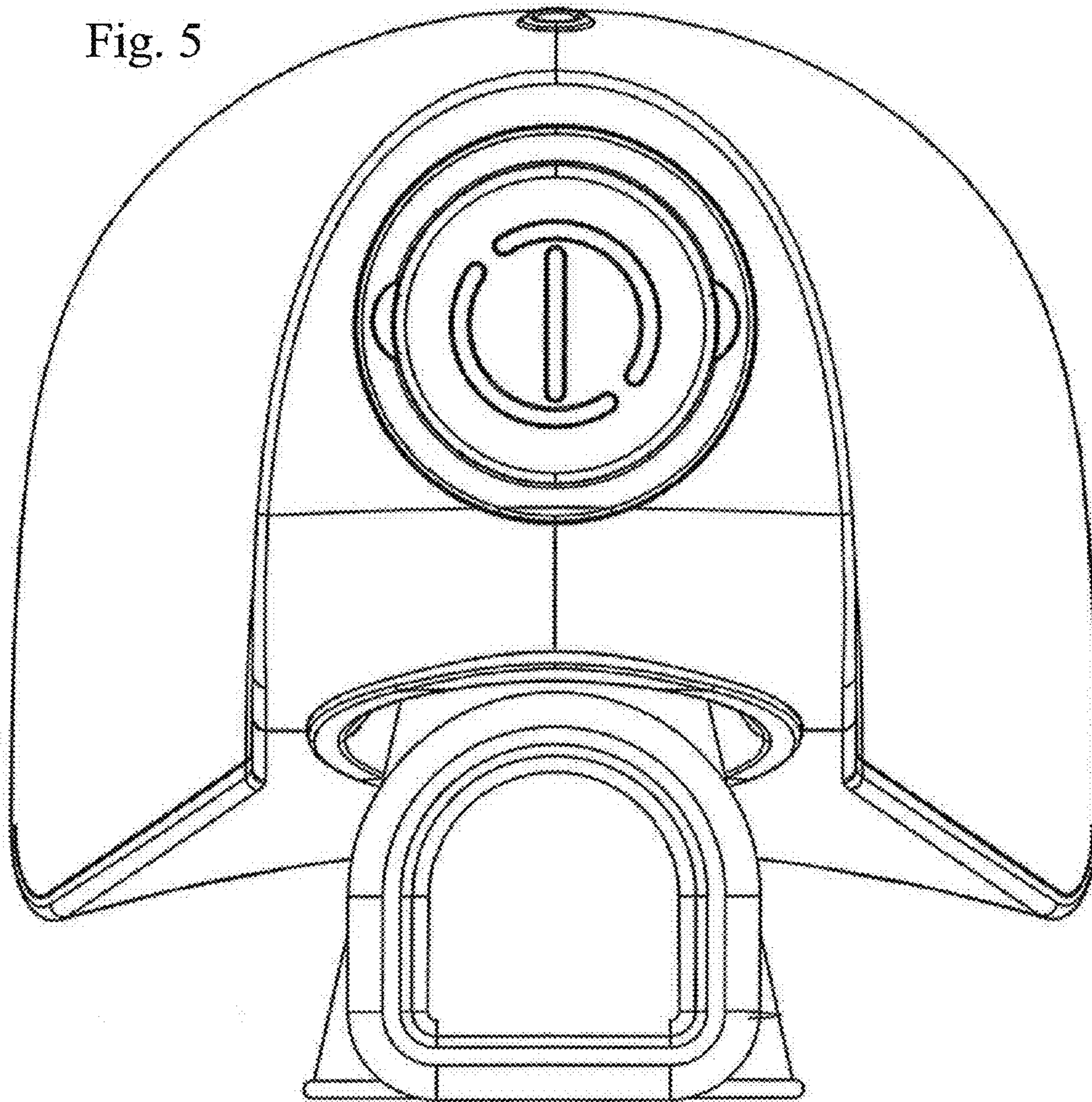


Fig. 6

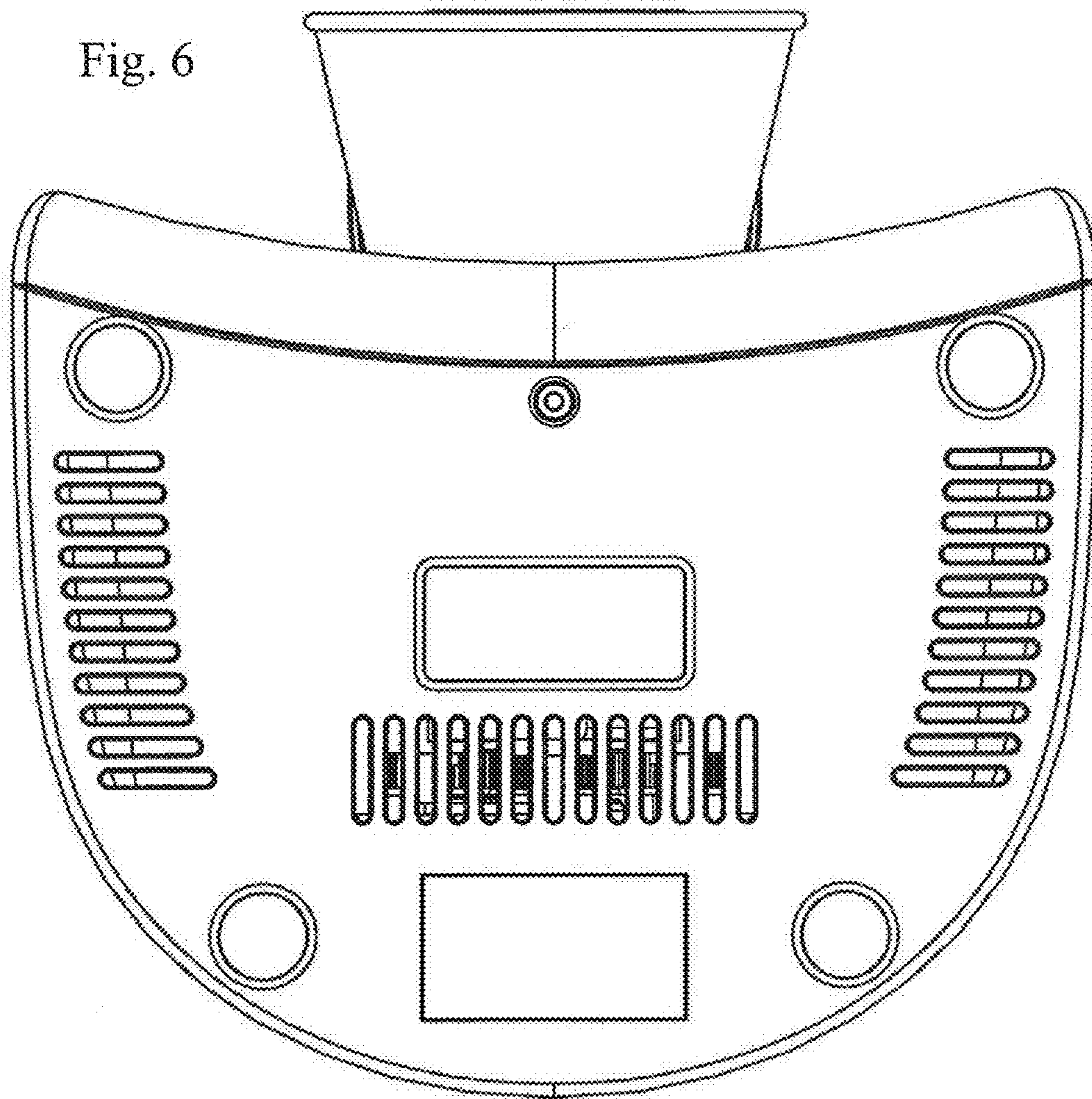


Fig. 7

