



US00D677973S

(12) **United States Design Patent**  
**Smallegan**

(10) **Patent No.:** **US D677,973 S**  
(45) **Date of Patent:** **\*\* Mar. 19, 2013**

(54) **COOKING PAN**

(71) Applicant: **Jon Smallegan**, Melbourne, FL (US)

(72) Inventor: **Jon Smallegan**, Melbourne, FL (US)

(73) Assignee: **Ezaspie, LLC**, Melbourne, FL (US)

(\*\*) Term: **14 Years**

(21) Appl. No.: **29/436,448**

(22) Filed: **Nov. 6, 2012**

(51) **LOC (9) Cl.** ..... **07-02**

(52) **U.S. Cl.** ..... **D7/357; D7/354**

(58) **Field of Classification Search** ..... D7/323,  
D7/329-331, 337, 339, 346-347, 350.1-350.4,  
D7/352-367, 388, 391, 392.1, 393, 395, 400-402,  
D7/407-410, 538, 542-545, 553.4, 554.1,  
D7/624.1, 625, 672-674; D8/499; D9/428,  
D9/433; 99/279, 324-325, 331-332, 337-349,  
99/358, 369-376, 380, 389, 400-418, 422-430,  
99/444-446, 483; 126/9 B, 37 R, 261, 378.1;  
206/501-505, 507-508; 219/386, 400, 405,  
219/429-442, 450.1, 452.13, 460.1, 620-624,  
219/725, 730-735; 220/23.4-23.8, 315,  
220/573.1-573.5, 608, 629, 645, 743, 756,  
220/769, 912; 229/102.5, 120.12, 125.015;  
248/346.11; 426/438, 441, 503, 549  
See application file for complete search history.

(56) **References Cited**

**U.S. PATENT DOCUMENTS**

476,340	A *	6/1892	Wagandt	99/430
1,945,397	A *	1/1934	Gray	220/645
2,080,125	A *	5/1937	Frost	229/125.015
2,352,393	A *	6/1944	Lee	229/102.5
2,575,294	A *	11/1951	Putorak	220/23.4
2,700,284	A *	1/1955	Lyon, Jr.	220/23.8
3,268,198	A *	8/1966	Swett	248/346.11
D214,391	S *	6/1969	Weiss	D7/553.4
3,516,573	A *	6/1970	Mizuk	220/608

D223,854	S *	6/1972	Swett	D7/392.1
3,771,713	A *	11/1973	Davidson	229/120.12
D245,384	S *	8/1977	Ashton	D7/624.1
D311,304	S *	10/1990	Virk	D7/672
D330,310	S *	10/1992	Montgomery	D7/625
D332,030	S *	12/1992	Kauffman et al.	D7/624.1
D335,795	S *	5/1993	Conti	D7/545
D440,490	S *	4/2001	Lizzio	D9/428
D598,714	S *	8/2009	Aagaard	D7/554.1
D606,396	S *	12/2009	Mendez	D9/433
D616,698	S *	6/2010	Lion et al.	D7/357
D621,650	S *	8/2010	DeLeo	D7/354
D664,391	S *	7/2012	Hixon	D7/400
D666,086	S *	8/2012	Mundhra	D8/499
D667,678	S *	9/2012	Sensenig et al.	D7/354
2007/0169636	A1 *	7/2007	Carlson et al.	99/279
2012/0308701	A1 *	12/2012	Campbell et al.	426/503

\* cited by examiner

*Primary Examiner* — Ricky Pham

(74) *Attorney, Agent, or Firm* — Mark R. Malek, Esq.; Zies Wideman & Malek

(57) **CLAIM**

The ornamental design of a cooking pan, as shown and described.

**DESCRIPTION**

FIG. 1 is a perspective view of a cooking pan according to the present invention and showing a cutting tool to be used in connection with the cooking pan, wherein the cutting tools is illustrated in dashed lines, and wherein the dashed lines form no part of the present invention.

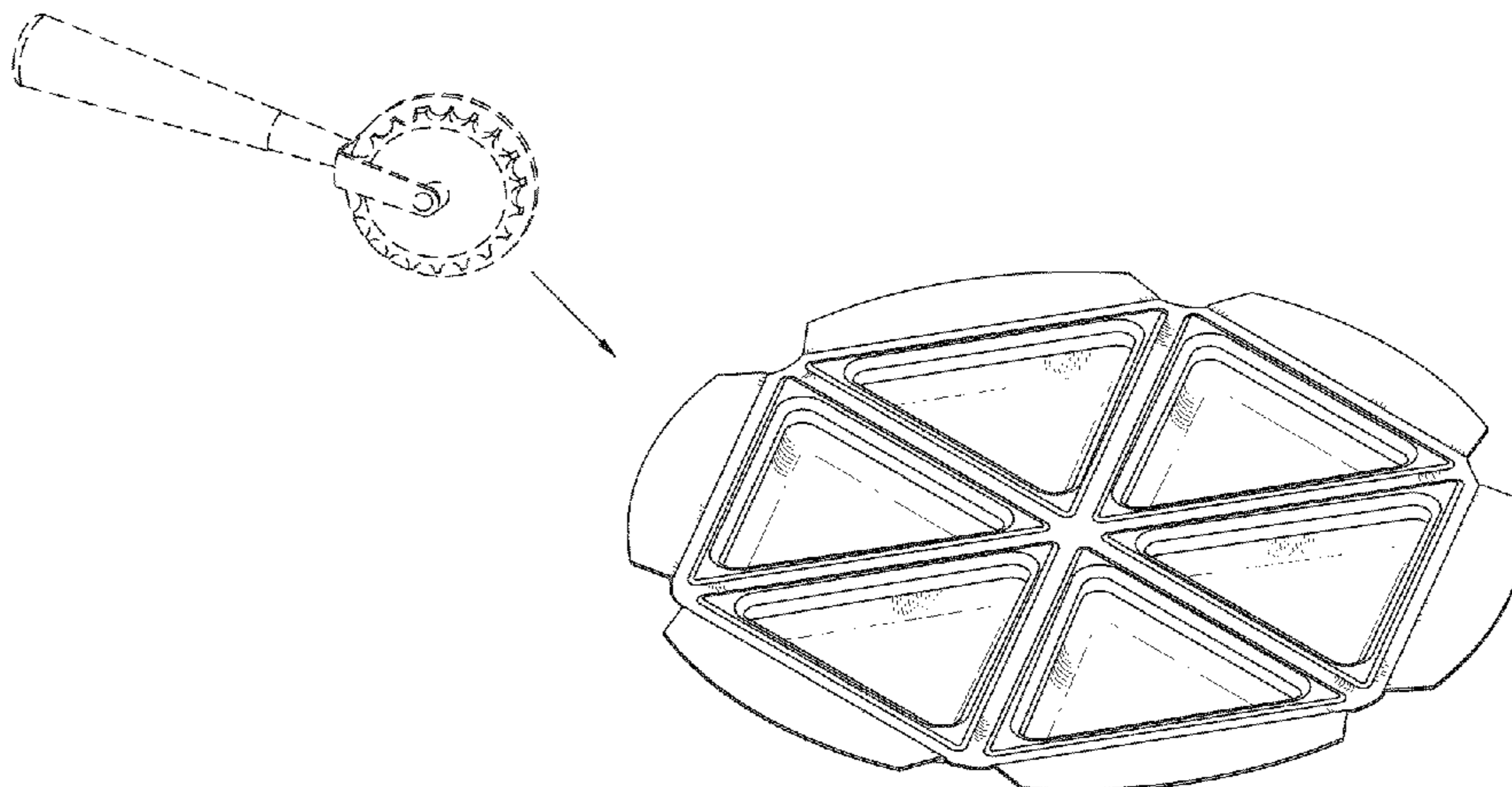
FIG. 2 is a top plan view of the cooking pan illustrated in FIG. 1.

FIG. 3 is a bottom plan view of the cooking pan illustrated in FIG. 1.

FIG. 4 is a front elevation view of the cooking pan illustrated in FIG. 1; and,

FIG. 5 is a side elevation view of the cooking pan illustrated in FIG. 1.

**1 Claim, 2 Drawing Sheets**



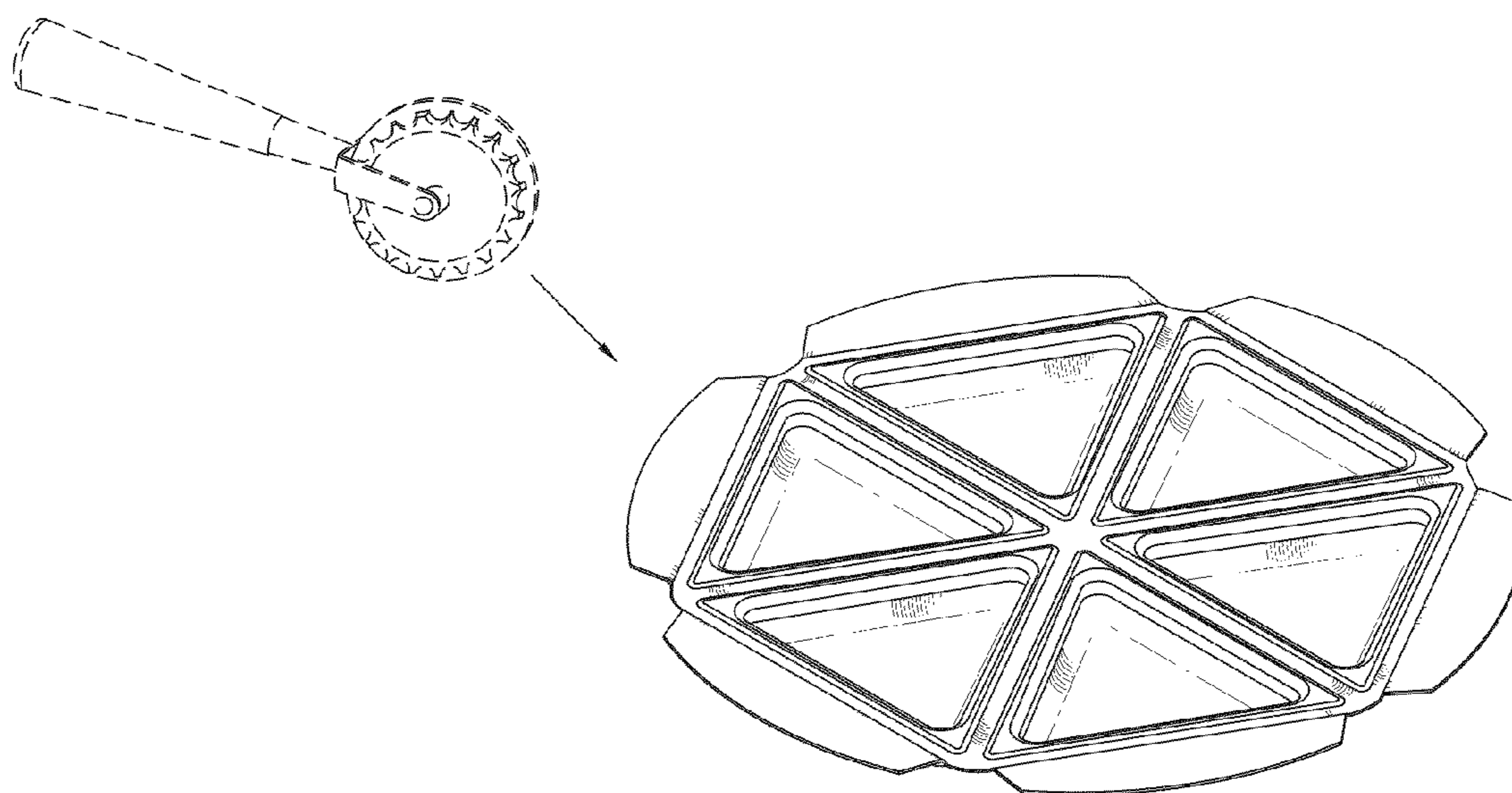


Fig. 1

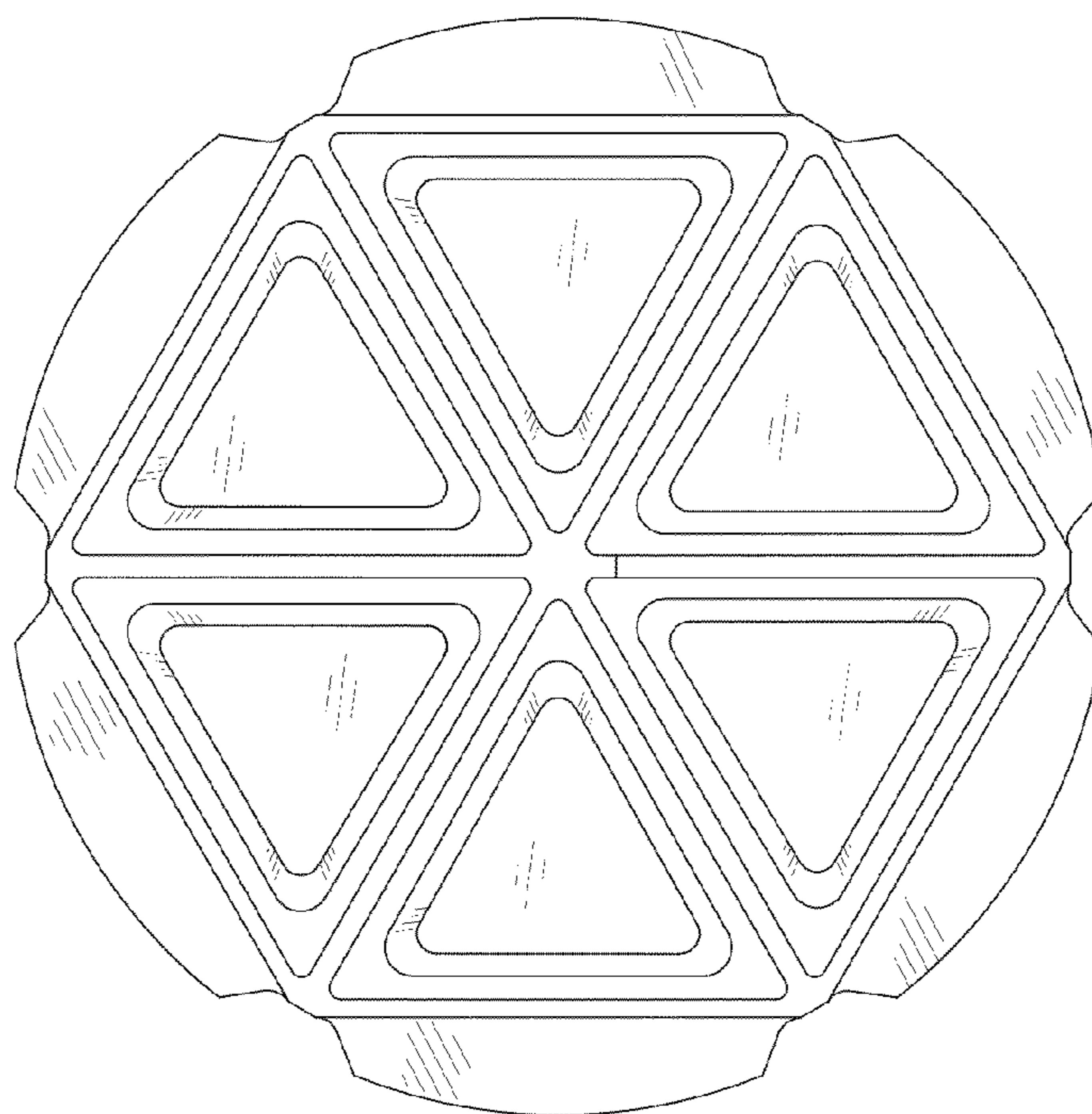


Fig. 2

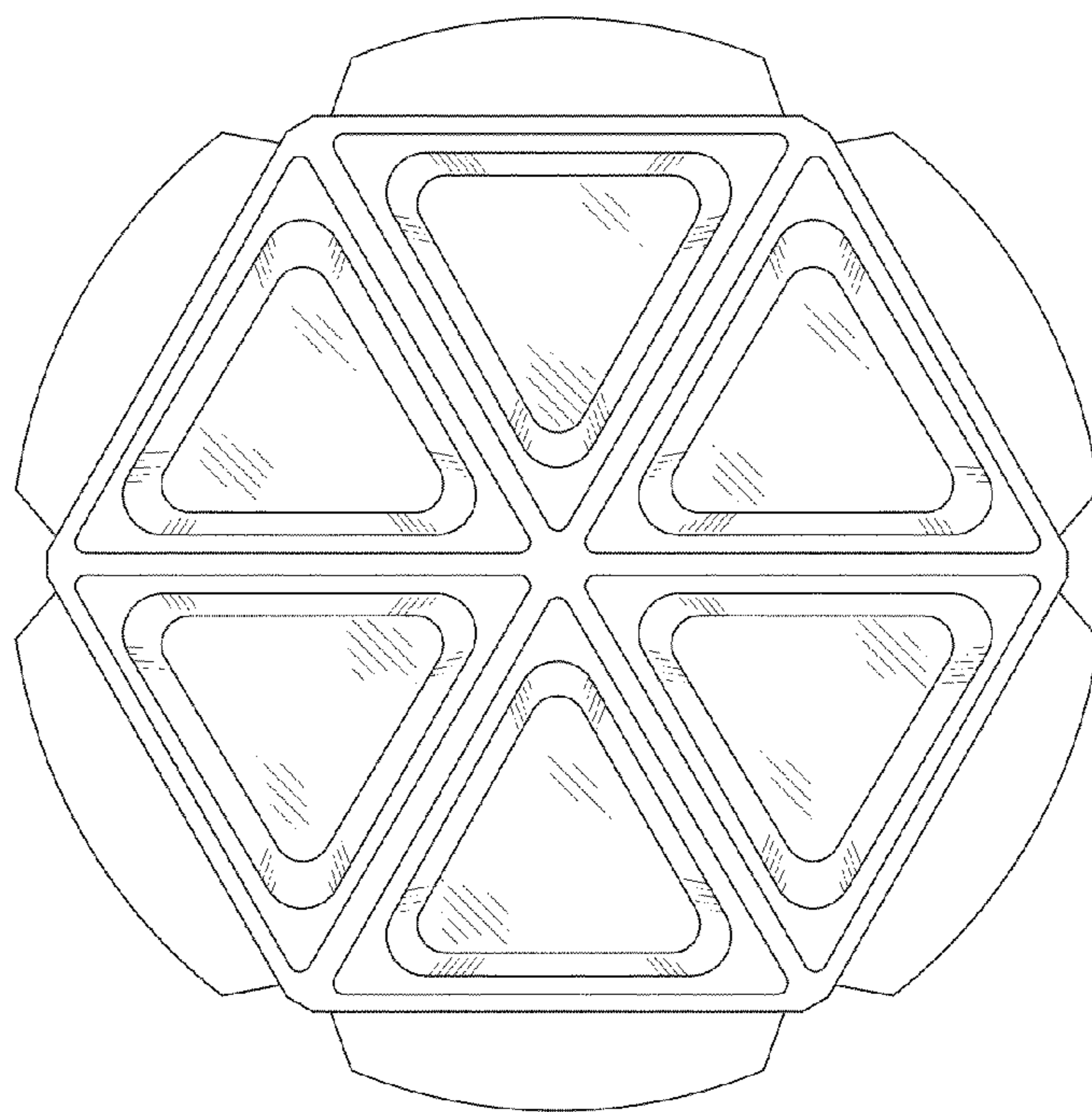


Fig. 3

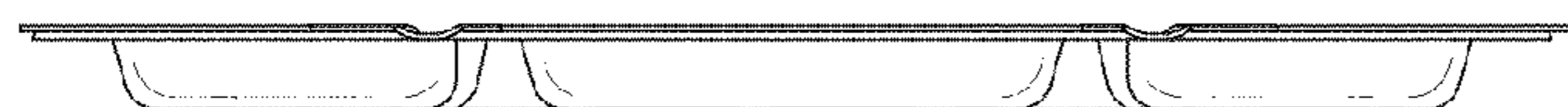


Fig. 4

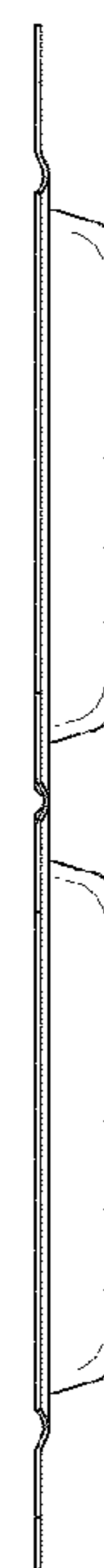


Fig. 5