



US00D677970S

(12) **United States Design Patent**
Hassman

(10) **Patent No.:** **US D677,970 S**
(45) **Date of Patent:** **** Mar. 19, 2013**

(54) **FOOTBALL JERSEY BARBECUE GRILL**

(75) Inventor: **Ellen Hassman**, Hollywood, FL (US)

(73) Assignee: **Consumer Motivation Group, Inc.**,
New York, NY (US)

(**) Term: **14 Years**

(21) Appl. No.: **29/397,550**

(22) Filed: **Jul. 18, 2011**

(51) **LOC (9) Cl.** **07-02**

(52) **U.S. Cl.** **D7/335**

(58) **Field of Classification Search** D7/332,
D7/334-337, 402-407, 409; 126/25 R, 25 A,
126/25 AA, 29-30, 9 R, 37-38, 41 R, 40-50,
126/332, 39 M, 214 R, 307 R, 334, 276,
126/268; 99/481, 482; D6/511; 219/461.1;
312/100, 236

See application file for complete search history.

(56) **References Cited**

U.S. PATENT DOCUMENTS

D477,176 S * 7/2003 Wang D7/336
D520,802 S * 5/2006 McLemore et al. D7/335

D600,428 S * 9/2009 Rubin D2/610
D618,484 S * 6/2010 Tzeng D7/334
D618,951 S * 7/2010 Tzeng D7/334
D638,655 S * 5/2011 Mohr D7/335

* cited by examiner

Primary Examiner — Ruth McInroy

(74) *Attorney, Agent, or Firm* — Robert M. Downey, P.A.

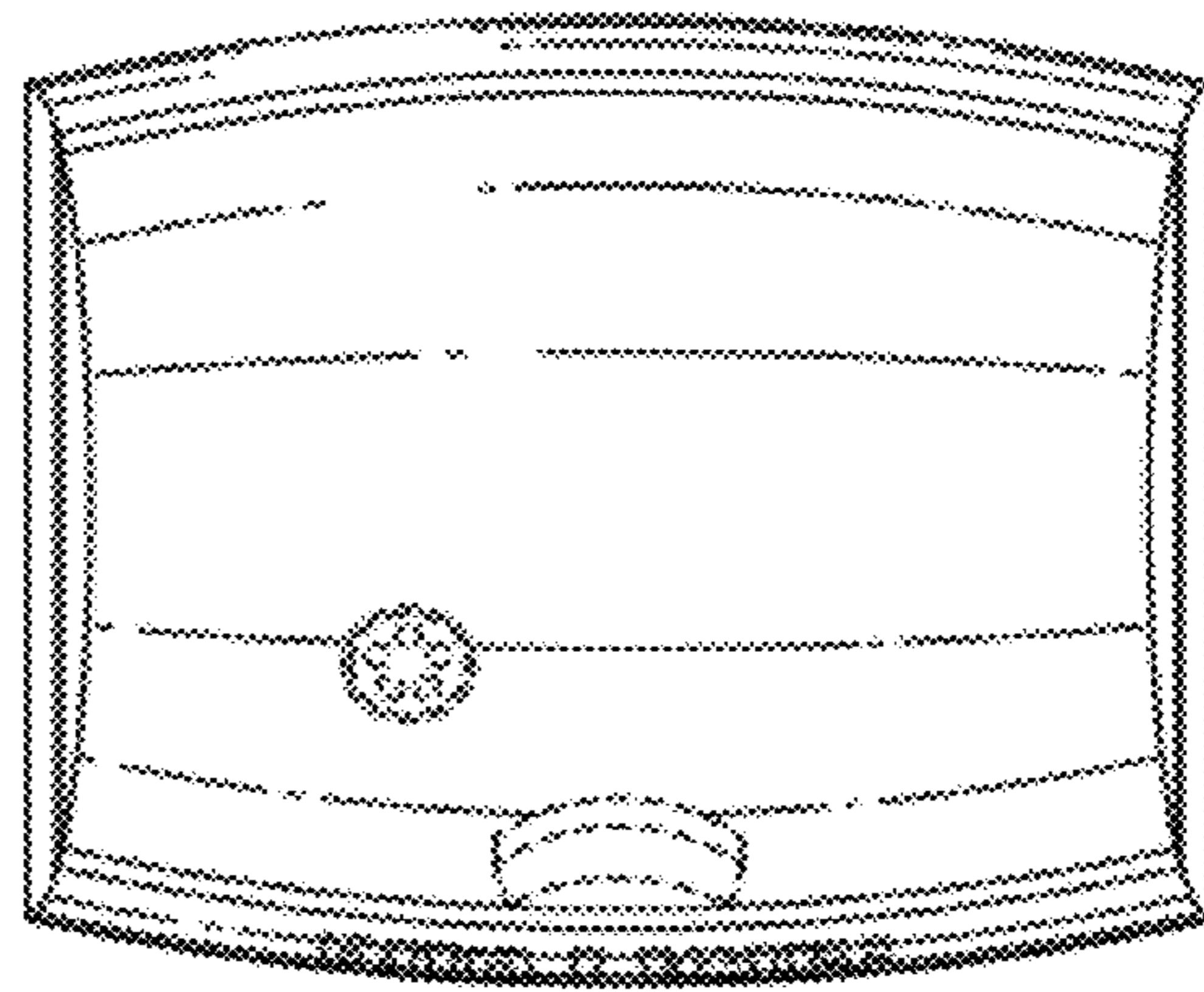
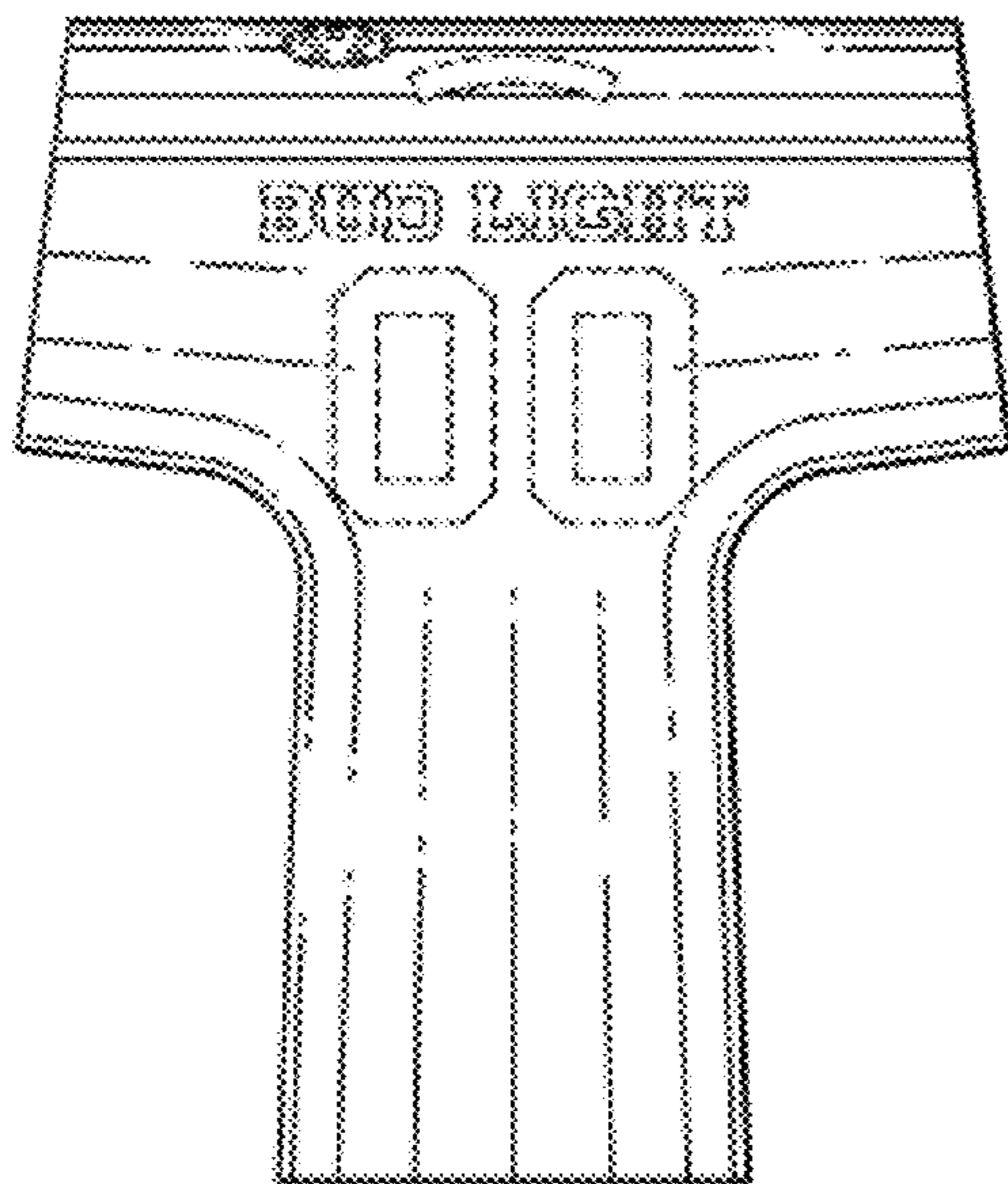
(57) **CLAIM**

The ornamental design for a football jersey barbecue grill, as shown and described.

DESCRIPTION

FIG. 1 is a front elevational view of a football jersey barbecue grill showing my new design;
FIG. 2 is a rear elevational view thereof;
FIG. 3 is a top plan view thereof;
FIG. 4 is a bottom plan view thereof;
FIG. 5 is a right side elevational view thereof; and,
FIG. 6 is a left side elevational view thereof.
The details shown in broken lines form no part of the claimed design.

1 Claim, 6 Drawing Sheets



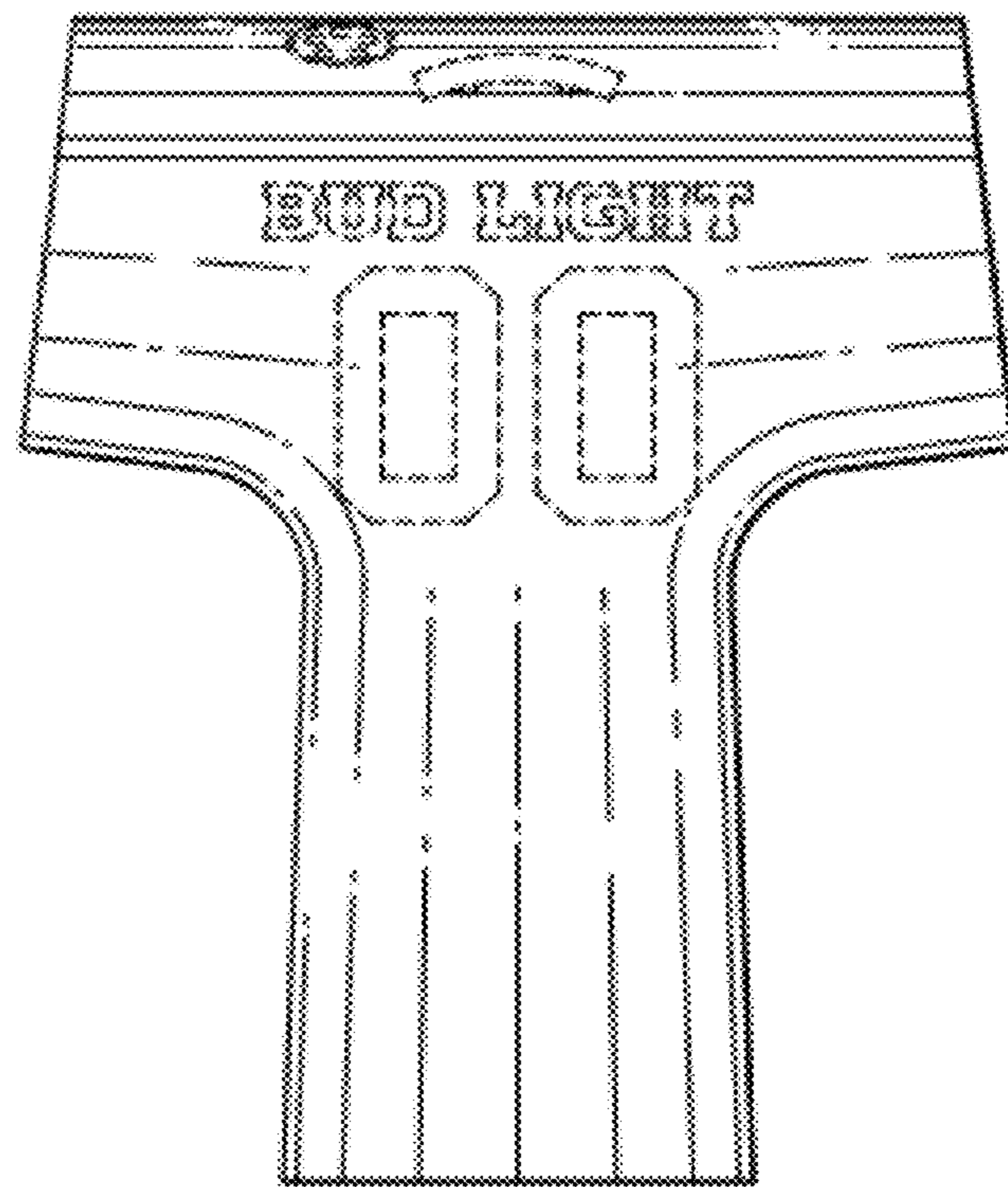


FIG. 1

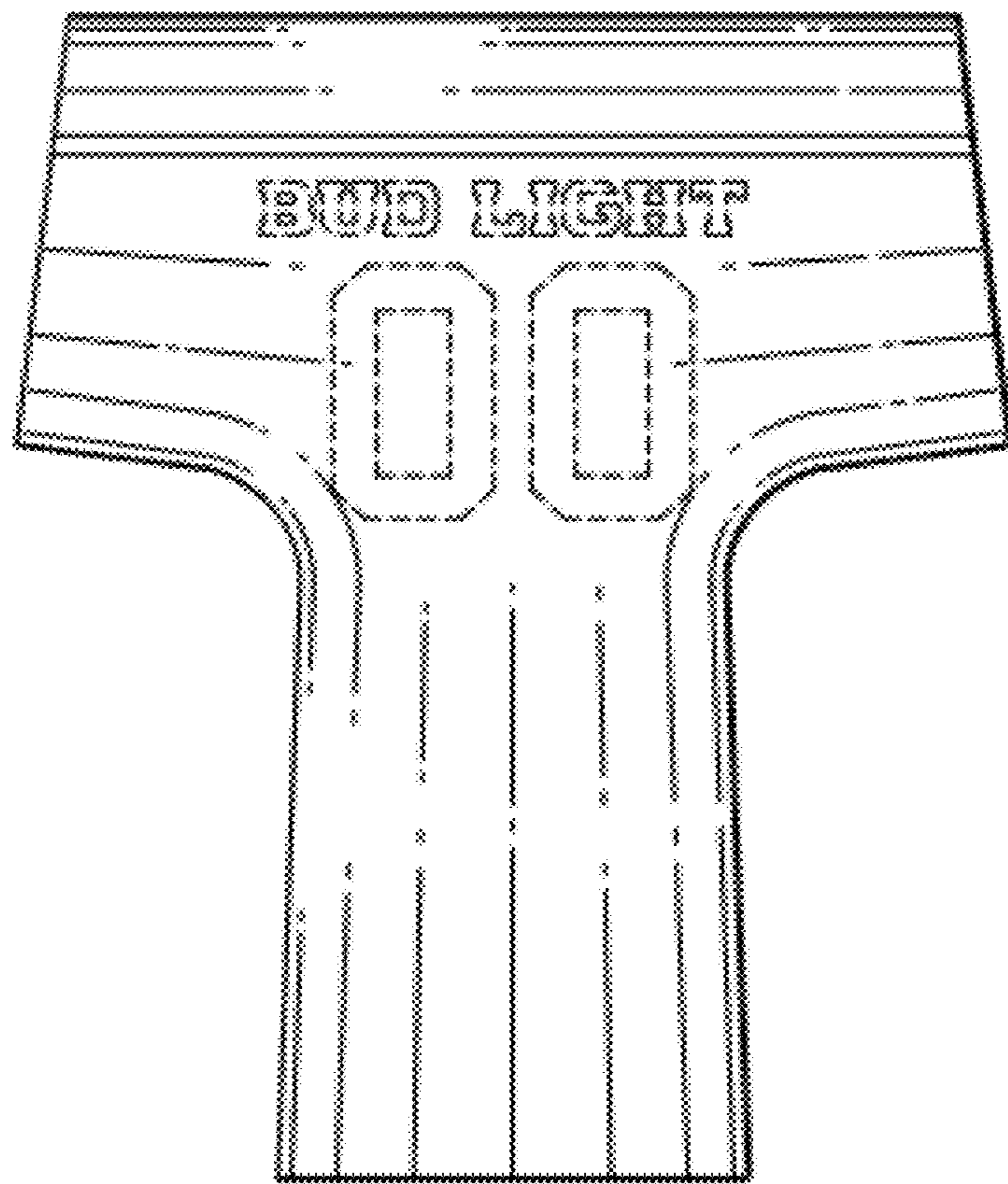


FIG. 2

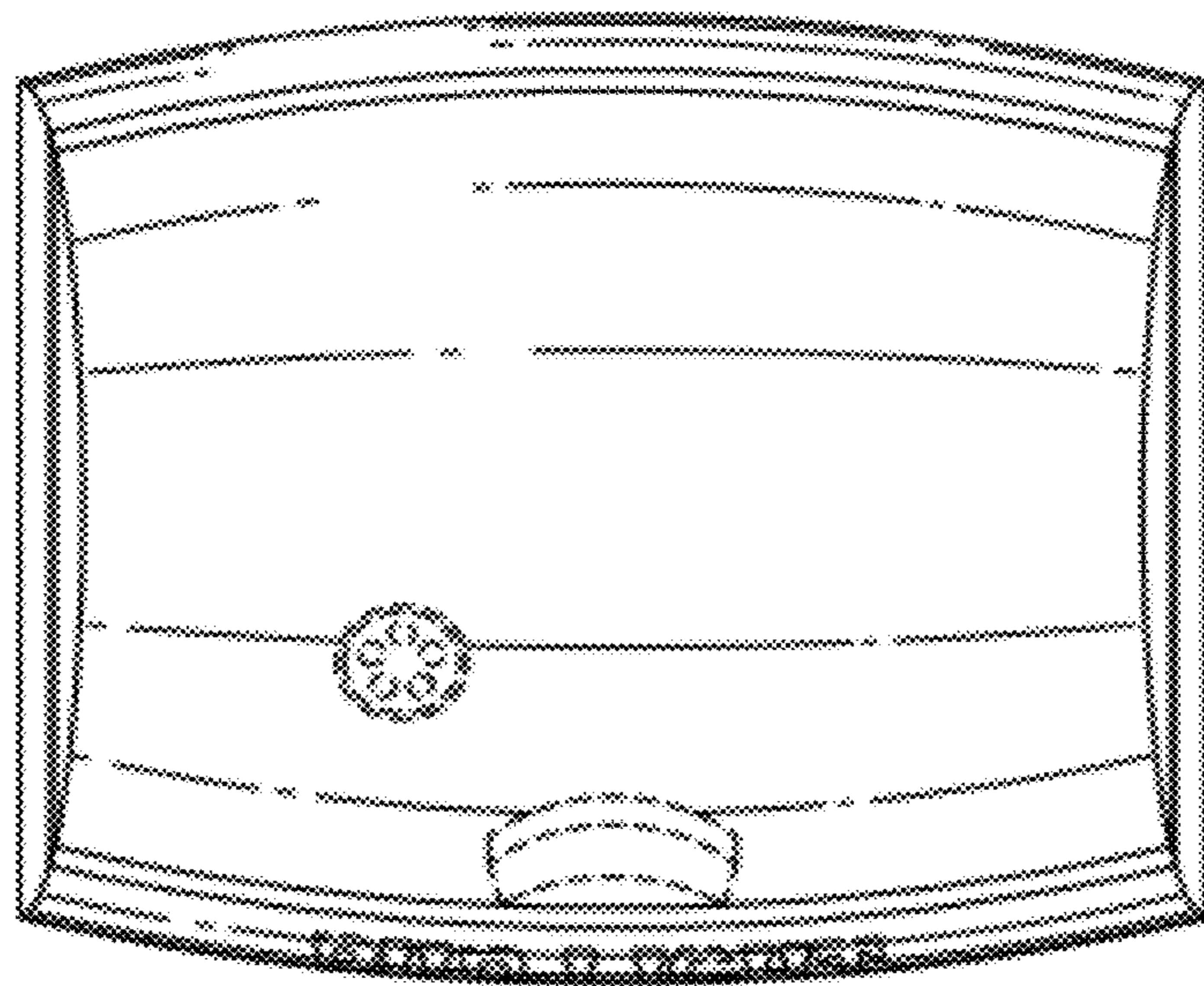


FIG. 3

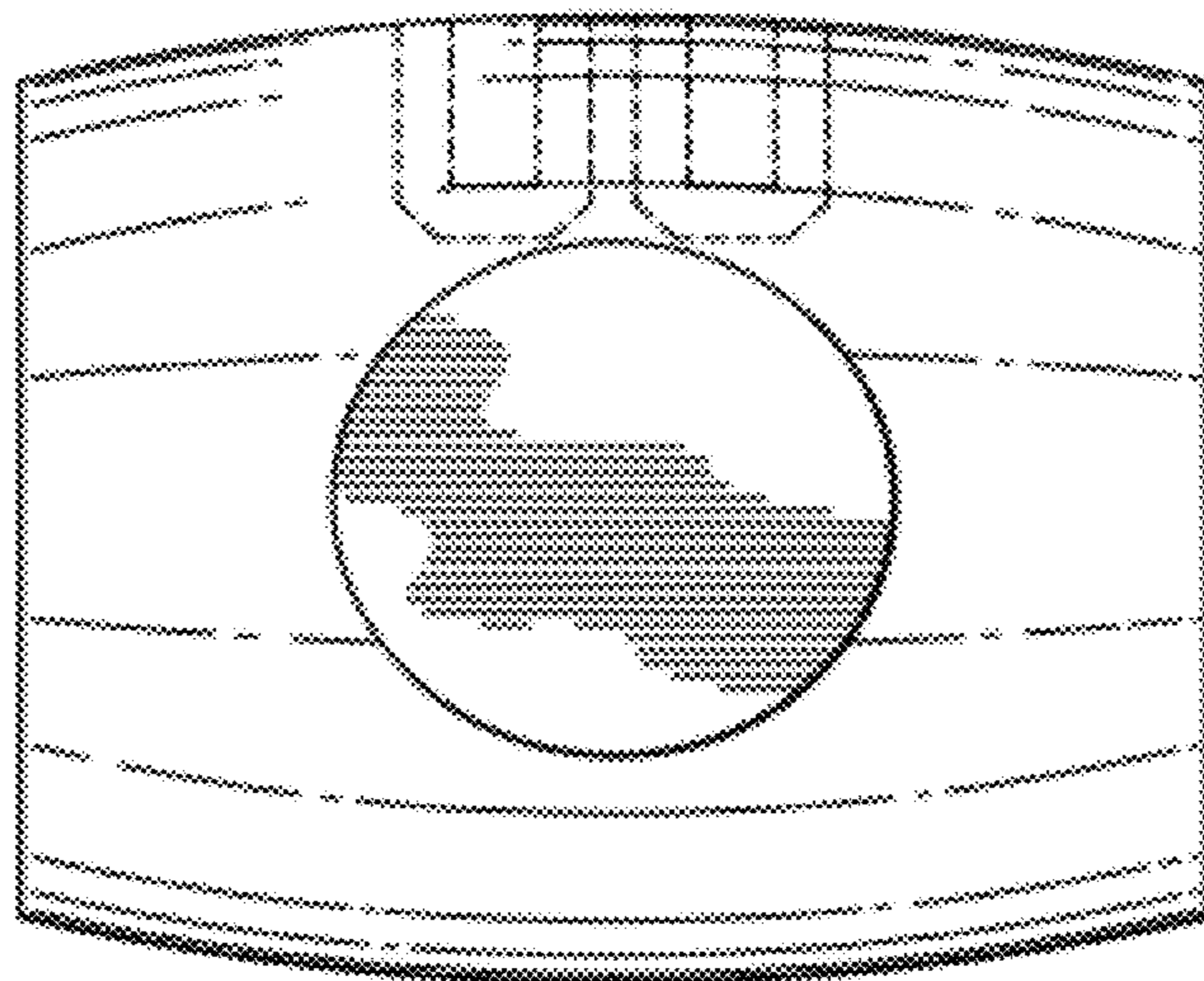


FIG. 4

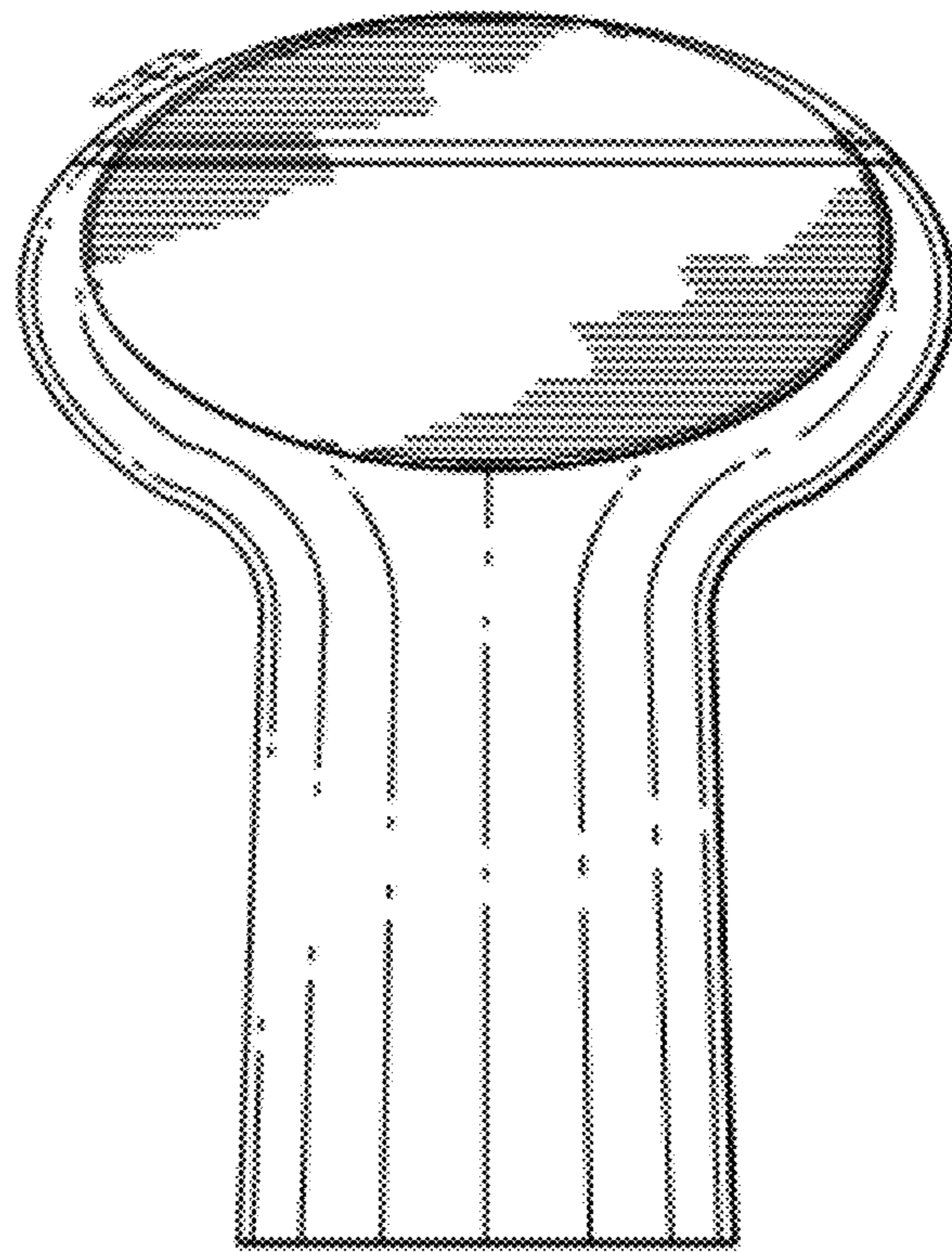


FIG. 5

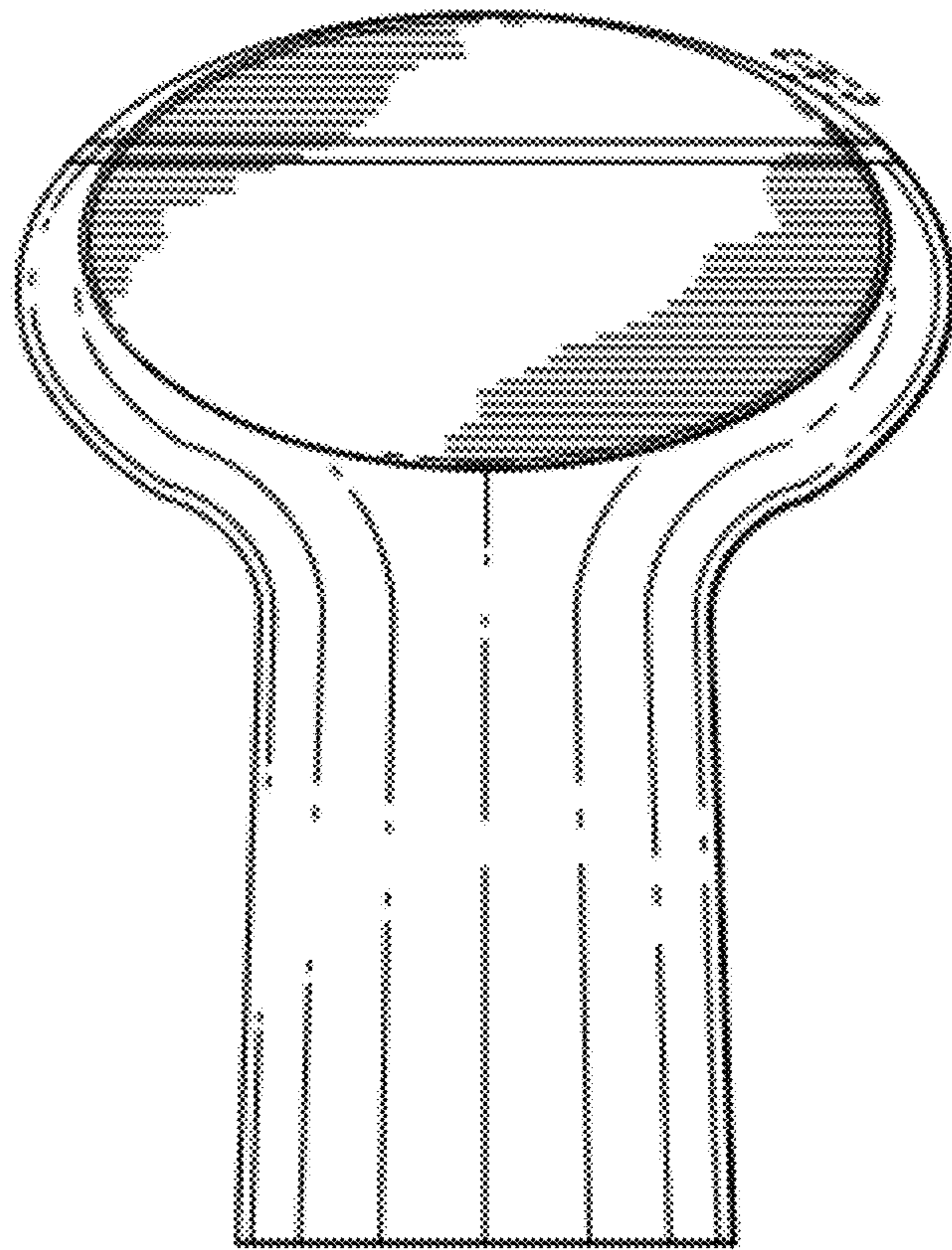


FIG. 6