



US00D677968S

(12) **United States Design Patent**
Bond et al.

(10) **Patent No.:** **US D677,968 S**
(45) **Date of Patent:** **** Mar. 19, 2013**

(54) **GLAZED POPCORN/NUTS MAKER**

(75) Inventors: **Gregg Bond**, Beverly Hills, CA (US);
Edward E. Boughton, III, Ventura, CA
(US)

(73) Assignee: **Nostalgia Products Group, LLC**, Green
Bay, WI (US)

(**) Term: **14 Years**

(21) Appl. No.: **29/428,750**

(22) Filed: **Aug. 2, 2012**

(51) **LOC (9) Cl.** **31-00**

(52) **U.S. Cl.** **D7/325**

(58) **Field of Classification Search** D7/323-331,
D7/337, 339, 346-347, 350.1-350.4, 352-367,
D7/387; 99/323.4-323.9, 442-446; 219/436;
220/4.21, 252; 401/125; 426/101-107, 241-243
See application file for complete search history.

(56) **References Cited**

U.S. PATENT DOCUMENTS

216,831 A * 6/1879 Collins 220/4.21
2,150,888 A * 3/1939 Barnard 219/436
2,554,489 A * 5/1951 Crane 401/125

D176,310 S * 12/1955 Schulz et. al. D7/326
D206,674 S * 1/1967 Hughes et al. D7/325
4,320,849 A * 3/1982 Yellin 220/252
D365,724 S * 1/1996 Yu D7/355
D488,667 S * 4/2004 Seum et al. D7/352

* cited by examiner

Primary Examiner — Ricky Pham

(74) *Attorney, Agent, or Firm* — Blakely, Sokoloff, Taylor &
Zafman

(57) **CLAIM**

The ornamental design for glazed popcorn/nuts maker, as
shown and described.

DESCRIPTION

FIG. 1 is a front, side perspective view of my invented glazed
popcorn/nuts maker.

FIG. 2 is a bottom, side perspective view thereof.

FIG. 3 is a rear elevation view thereof.

FIG. 4 is a side elevation view thereof.

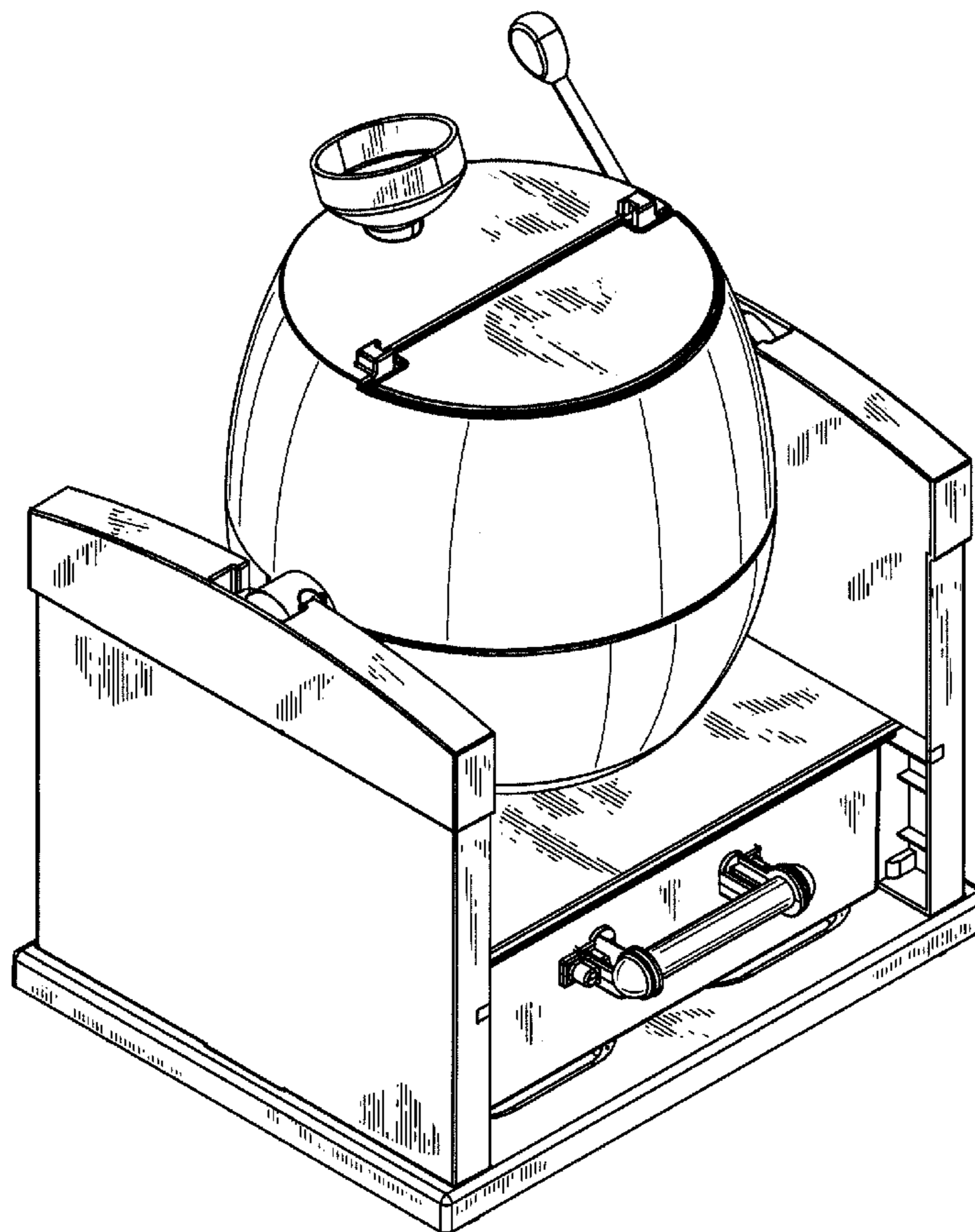
FIG. 5 is a front elevation view thereof.

FIG. 6 is a side elevation view thereof from the side opposite
that of FIG. 4.

FIG. 7 is a bottom plan view thereof; and,

FIG. 8 is a top plan view thereof.

1 Claim, 5 Drawing Sheets



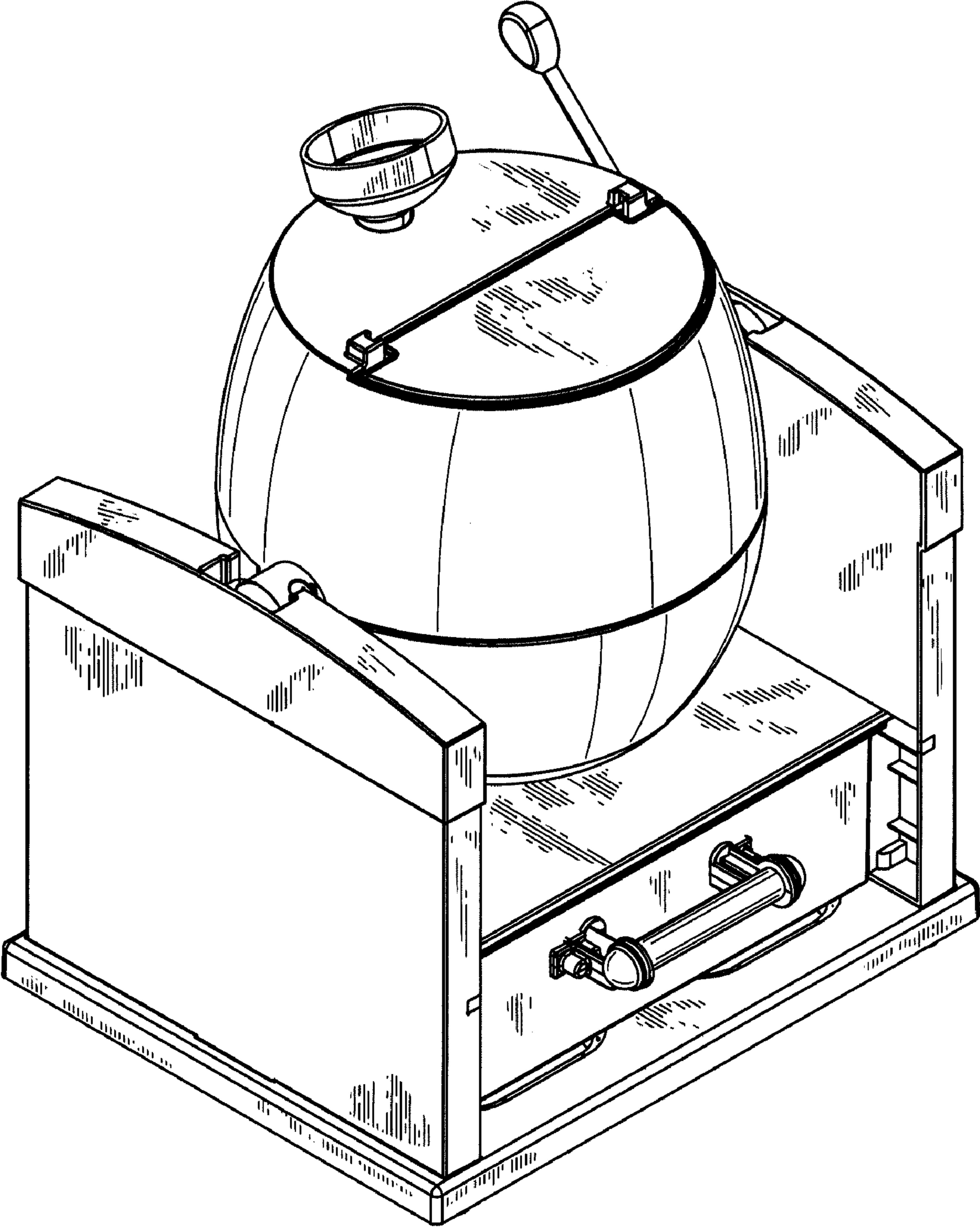


FIG. 1

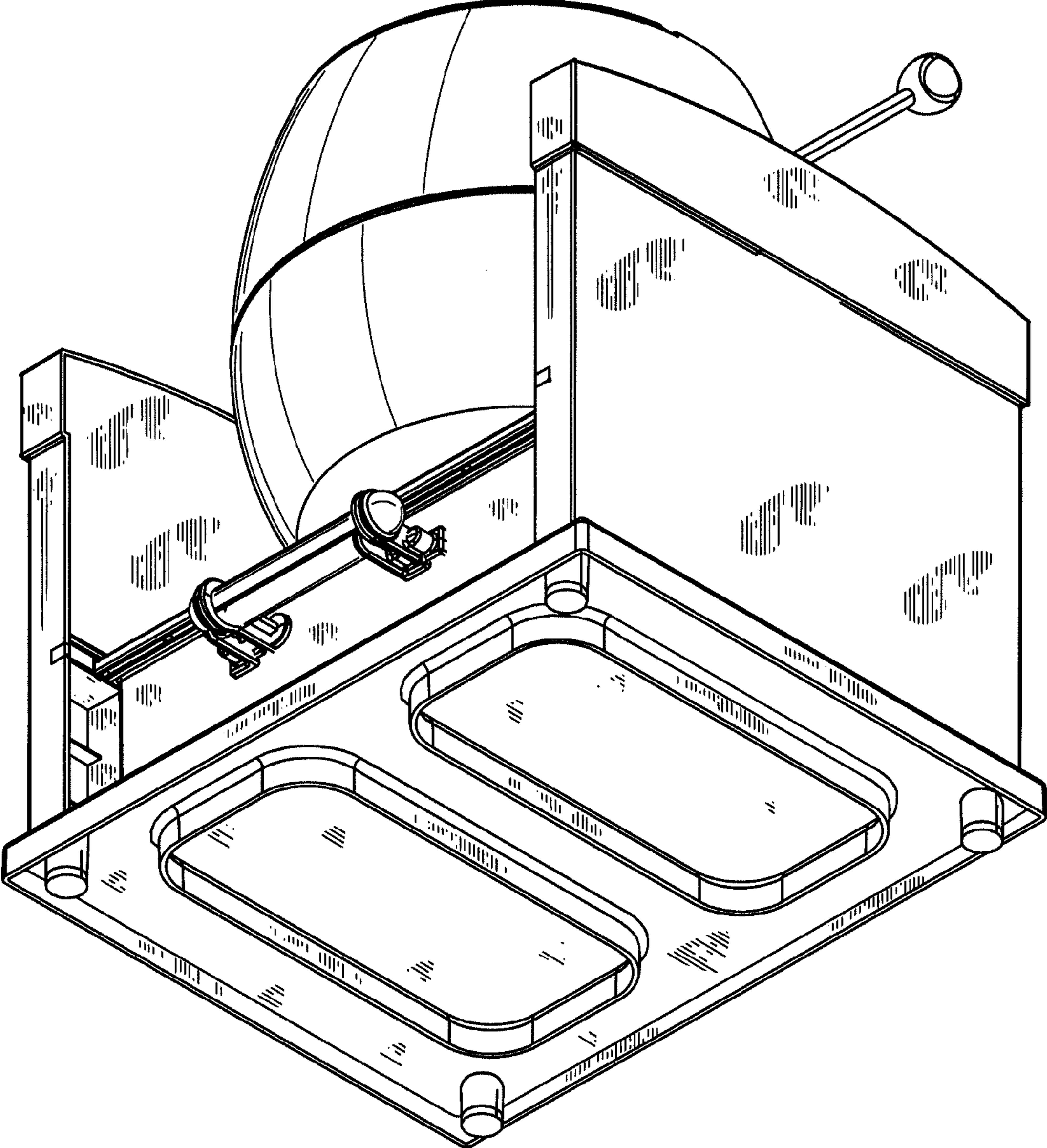


FIG. 2

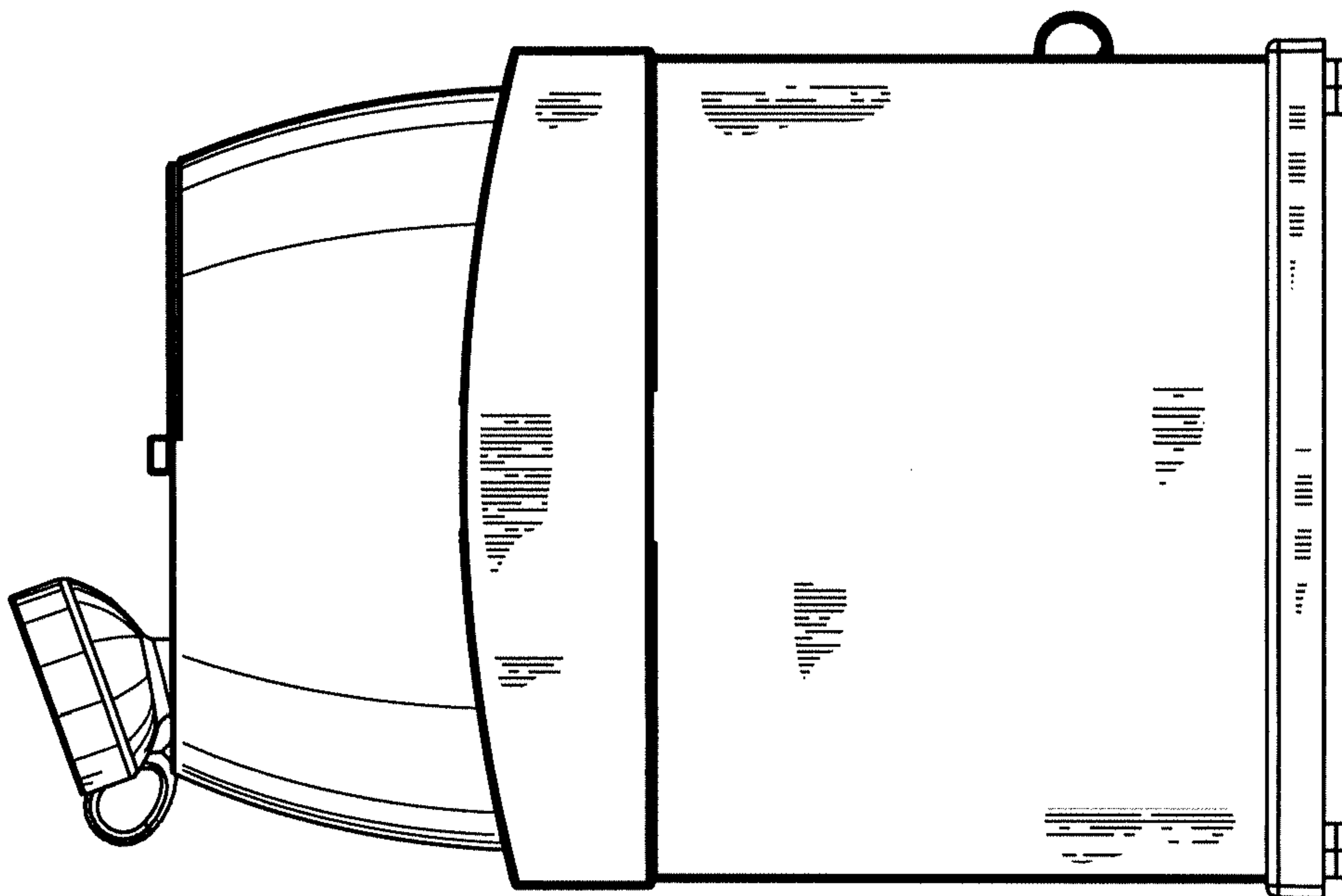


FIG. 4

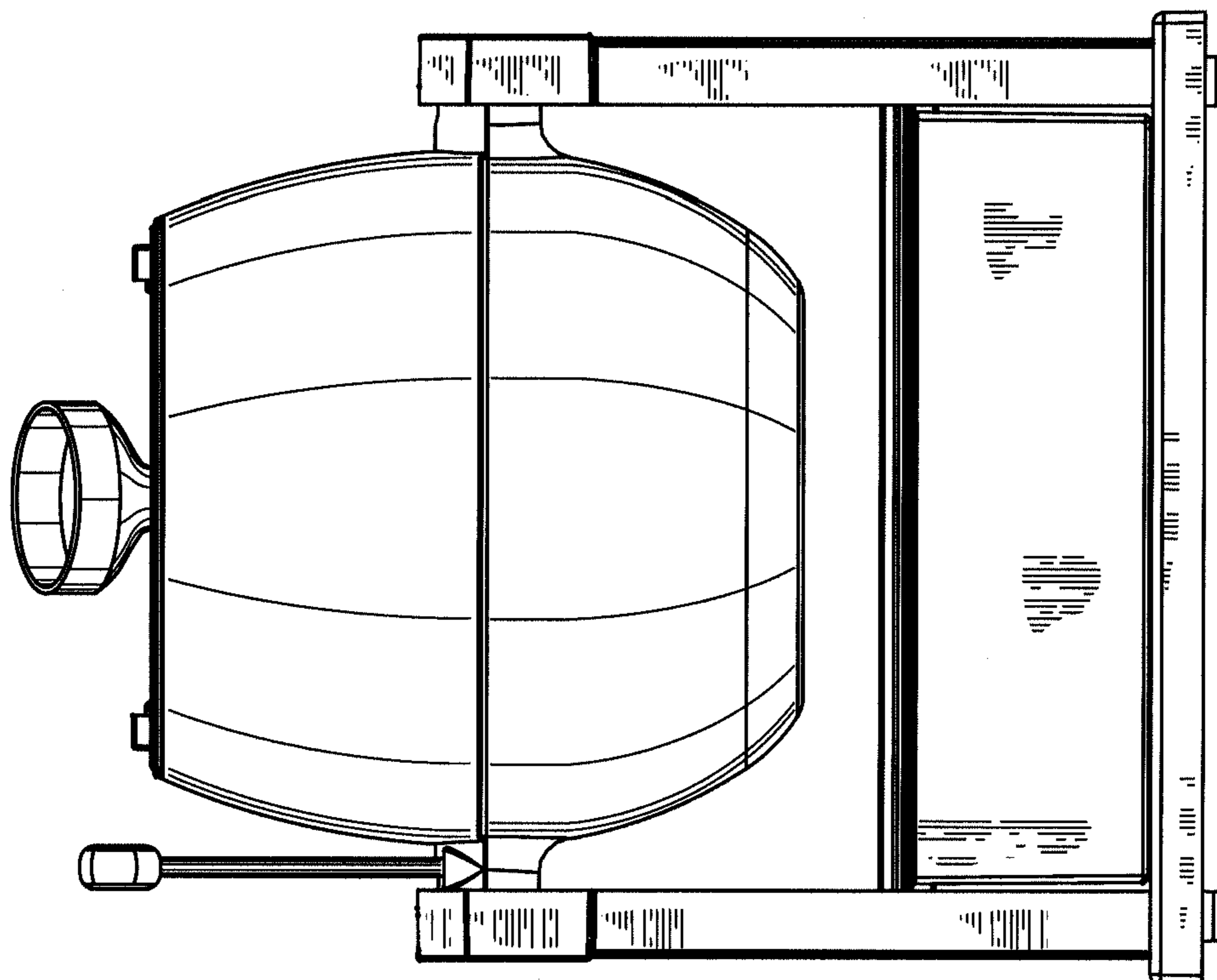


FIG. 3

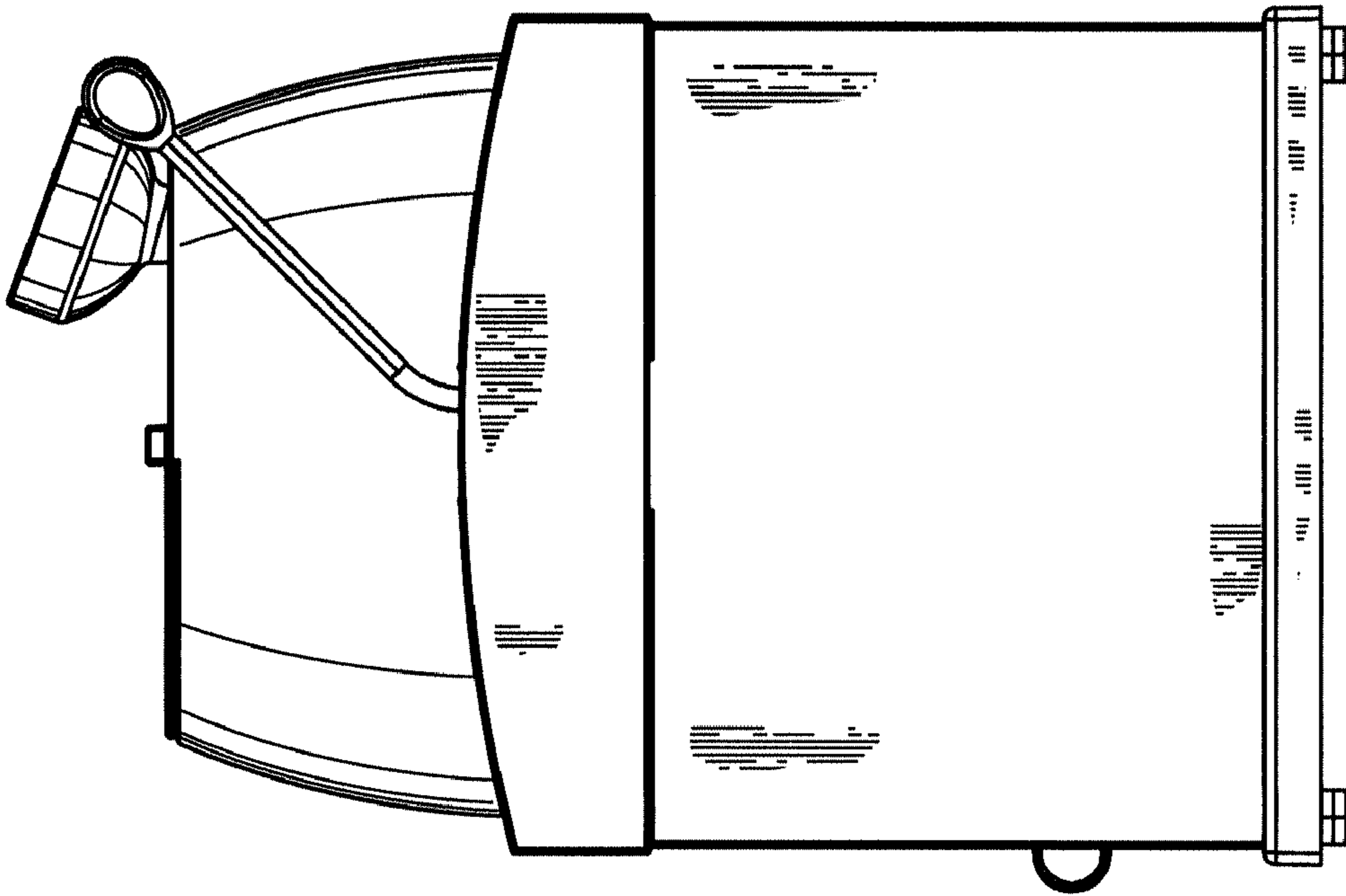


FIG. 6

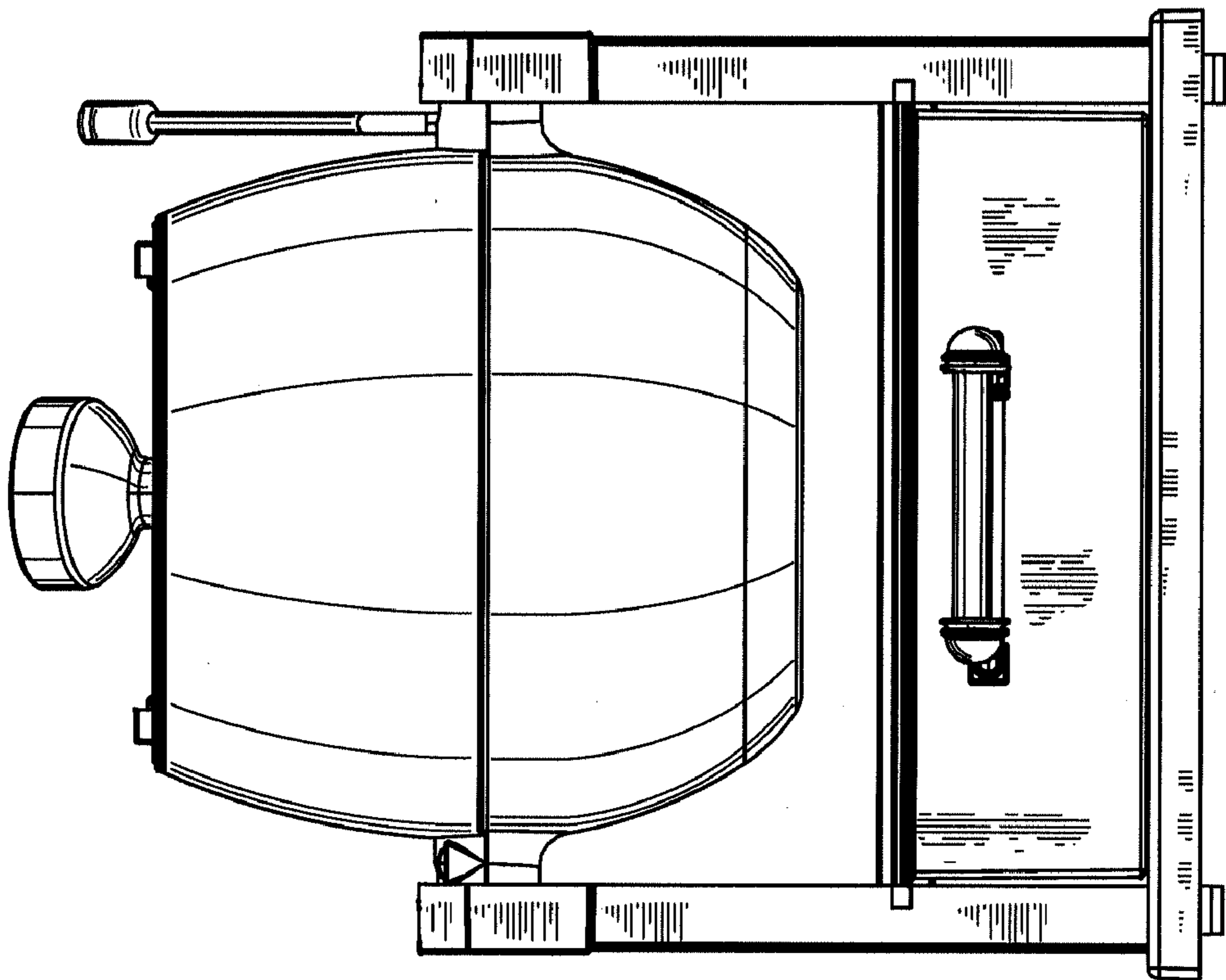


FIG. 5

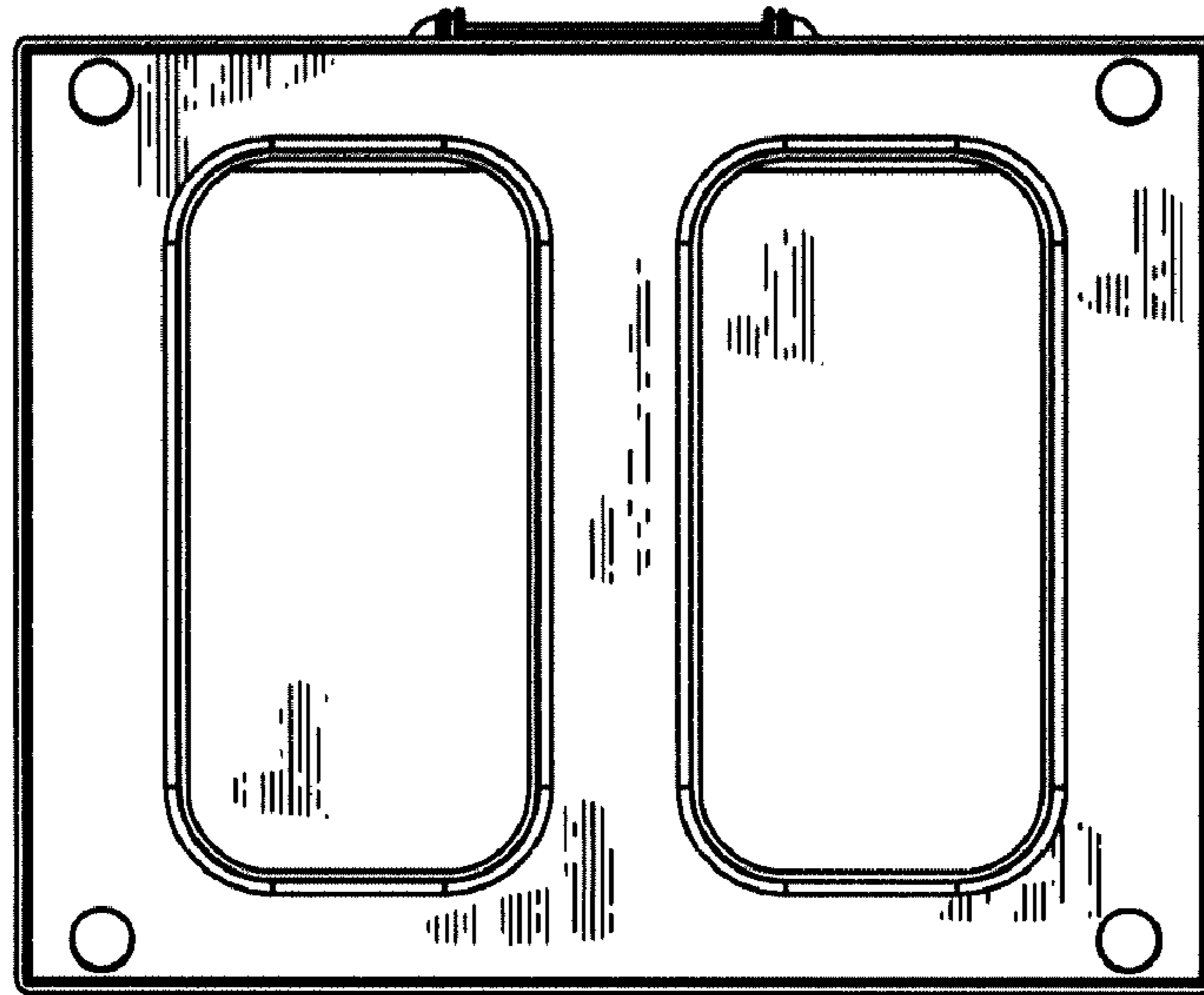


FIG. 7

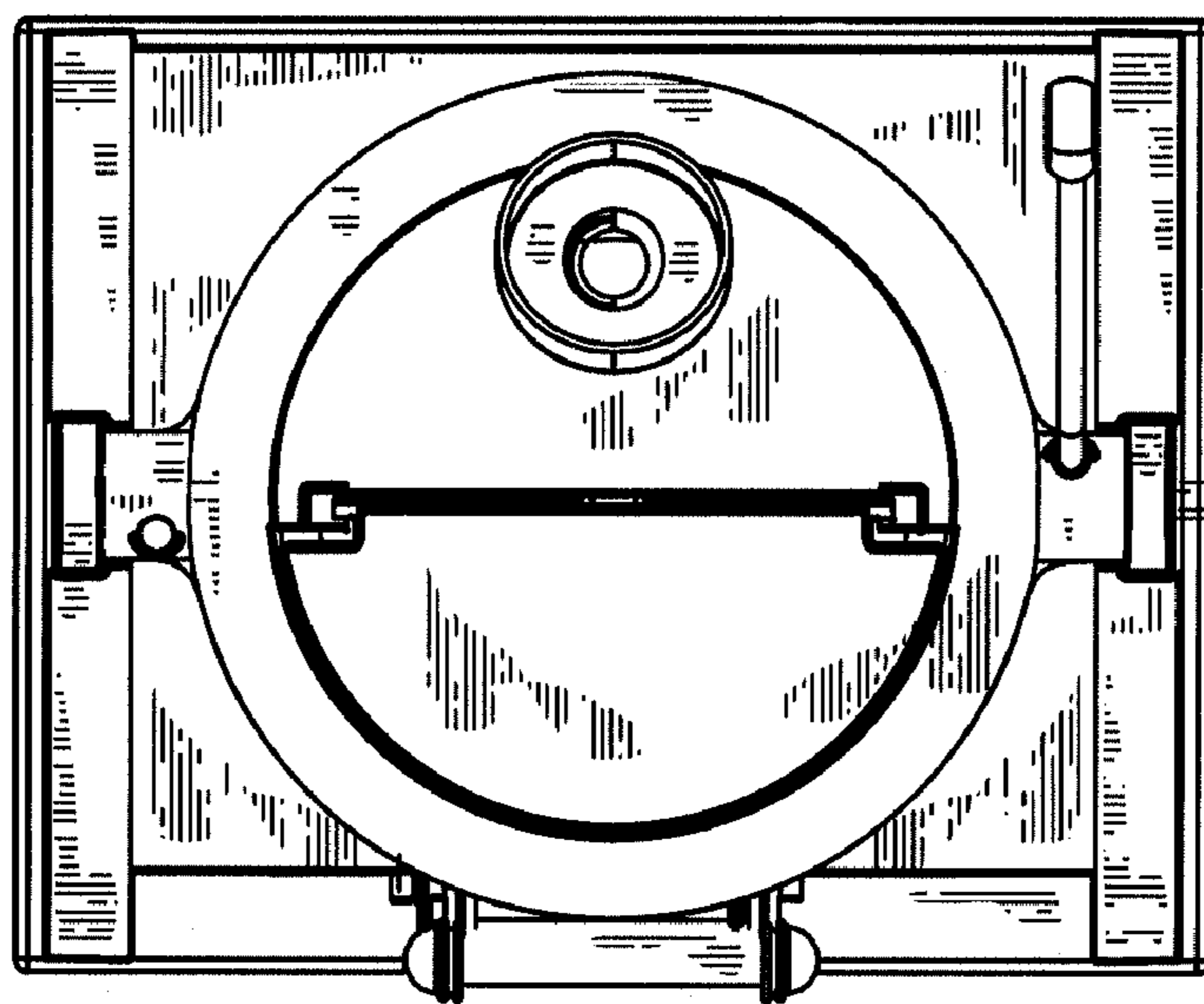


FIG. 8