



US00D677958S

(12) **United States Design Patent**
Davis

(10) **Patent No.:** **US D677,958 S**
(45) **Date of Patent:** **** Mar. 19, 2013**

(54) **ELECTRONIC KEY AND RECEPTACLE**

(71) Applicant: **Videx, Inc.**, Corvallis, OR (US)
(72) Inventor: **Paul R. Davis**, Corvallis, OR (US)
(73) Assignee: **Videx, Inc.**, Corvallis, OR (US)
(**) Term: **14 Years**

(21) Appl. No.: **29/436,277**
(22) Filed: **Nov. 2, 2012**

Related U.S. Application Data

(62) Division of application No. 29/426,590, filed on Jul. 6, 2012, now Pat. No. Des. 670,118, which is a division of application No. 29/388,488, filed on Mar. 29, 2011, now Pat. No. Des. 663,146.
(51) **LOC (9) Cl.** **06-04**
(52) **U.S. Cl.** **D6/559**
(58) **Field of Classification Search** D6/553, D6/559, 560, 561, 329, 396, 442, 448, 436, D6/437, 438, 439, 444, 445, 446, 468; 312/209, 312/234, 224, 225, 242, 245; 206/320, 823; D8/330-331, 346, 347; D13/107-109; D99/28; 320/107-115; 20/63, 69, 78, 80, 158, 271, 20/431, 434, 443

See application file for complete search history.

(56) **References Cited**

U.S. PATENT DOCUMENTS

D592,935 S *	5/2009	Mesh et al.	D8/347
D611,325 S *	3/2010	Zayas	D8/347
D638,020 S *	5/2011	Johnson et al.	D13/108
D642,556 S *	8/2011	Lee	D13/108
D663,606 S *	7/2012	Doll et al.	D8/347

* cited by examiner

Primary Examiner — Brian N Vinson

(74) *Attorney, Agent, or Firm* — J. Douglas Wells

(57) **CLAIM**

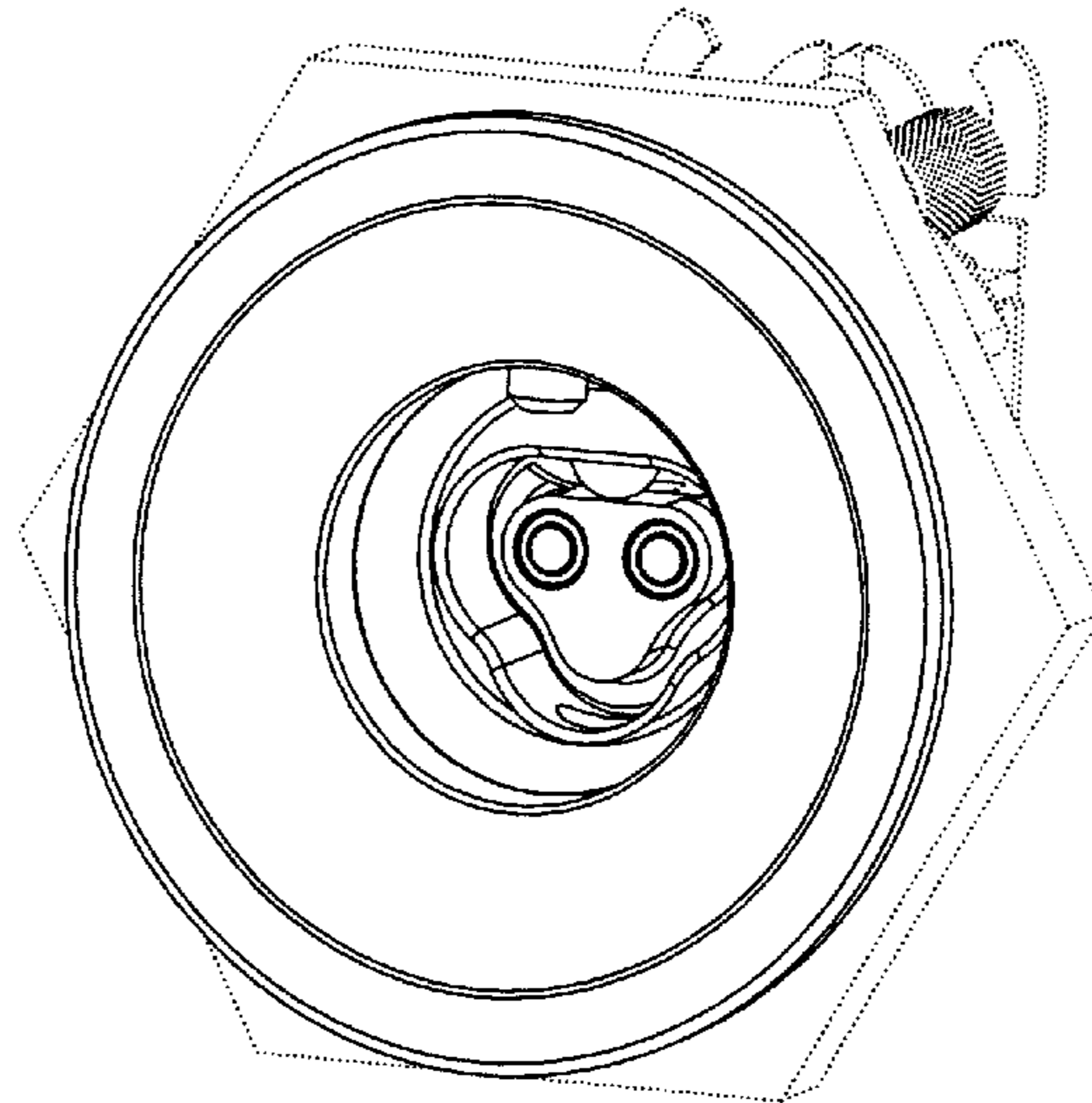
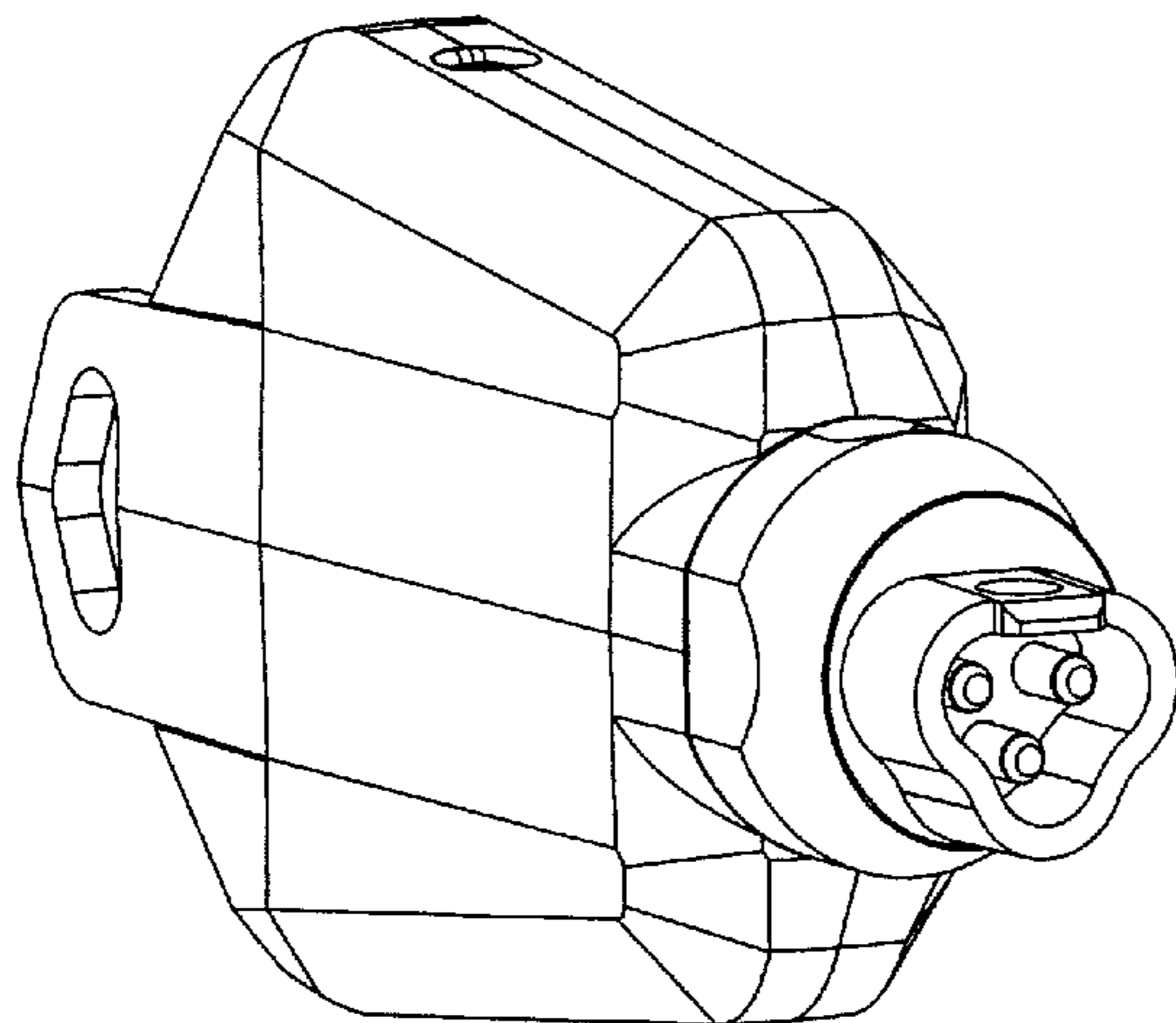
The ornamental design for an electronic key and receptacle, as shown and described.

DESCRIPTION

FIG. 1 is a perspective detail view of an electronic key and receptacle, showing my new design; and, FIG. 2 is a perspective view of the electronic key and receptacle components shown in FIG. 1, wherein the electronic key and receptacle components are shown in the context of an electronic key cabinet.

The broken-line disclosure in the views is understood to represent portions of the article in which the claimed design is embodied, but which form no part of the claimed design.

1 Claim, 2 Drawing Sheets



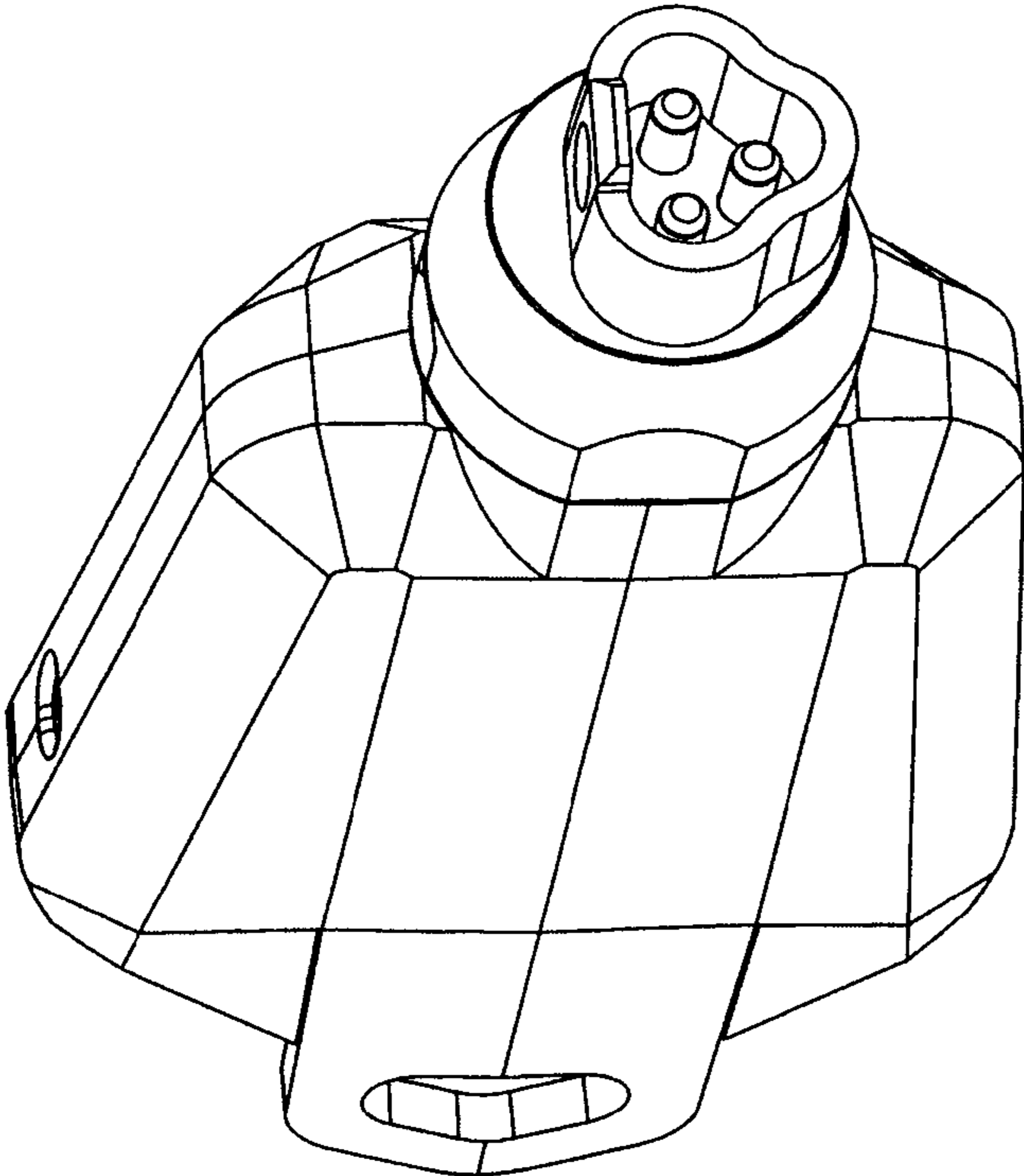
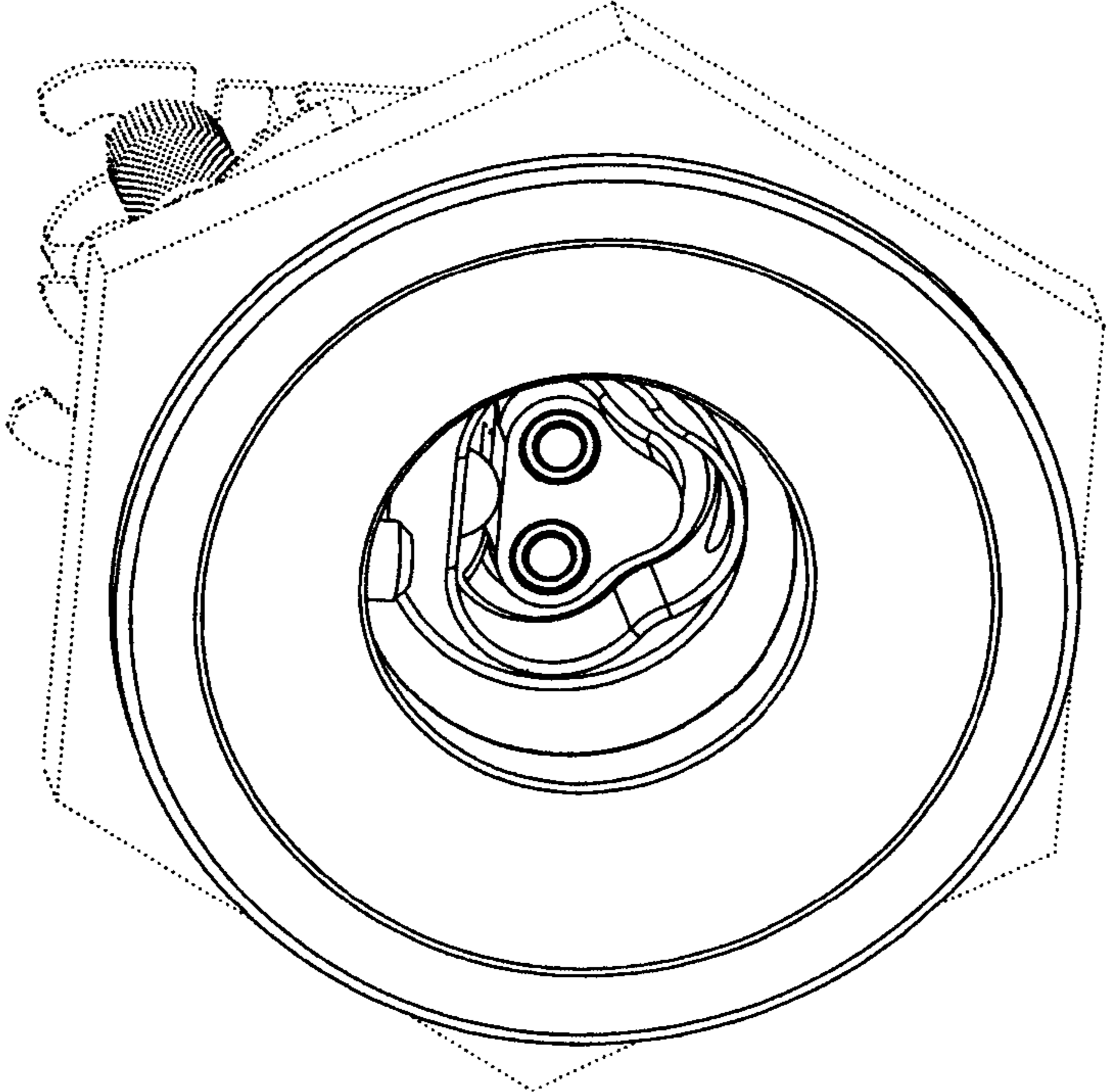


Fig. 1

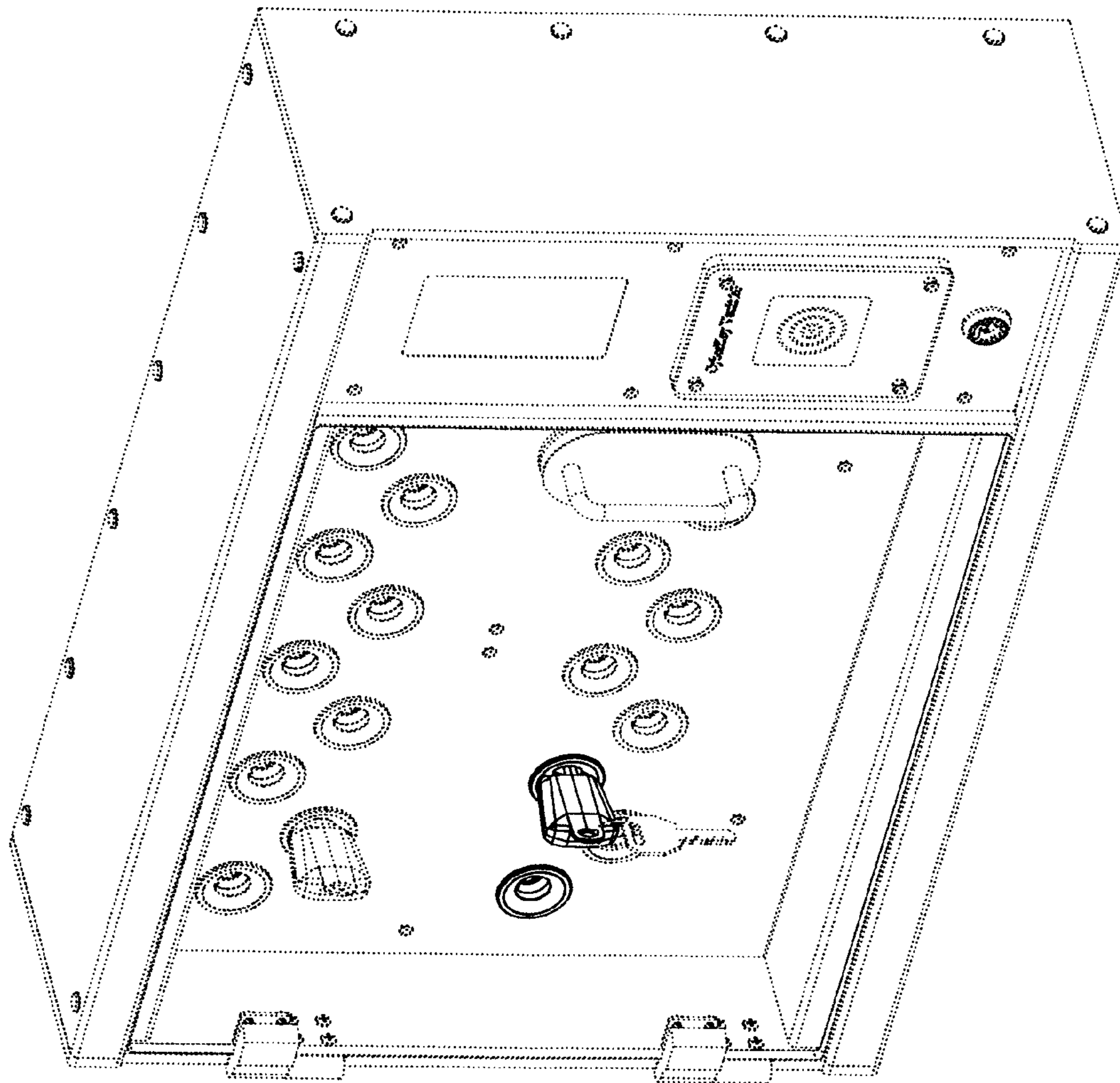


Fig. 2