



US00D677955S

(12) **United States Design Patent**  
**Bender et al.**

(10) **Patent No.:** **US D677,955 S**  
(45) **Date of Patent:** **\*\* Mar. 19, 2013**

(54) **FLEXIBLE SAMPLE OF A COUNTERTOP REPLICA**

(76) Inventors: **James J. Bender**, Ballwin, MO (US);  
**David J. Bender**, Ballwin, MO (US)

(\*\*) Term: **14 Years**

(21) Appl. No.: **29/363,524**

(22) Filed: **Jun. 10, 2010**

(51) **LOC (9) Cl.** ..... **06-04**

(52) **U.S. Cl.** ..... **D6/511**

(58) **Field of Classification Search** ..... D6/308,  
D6/300, 397, 492, 420-440, 445-448, 460-468,  
D6/474-479, 494-495, 509-510, 582-594;  
D8/353, 401; D13/184; D14/341; D19/52;  
D25/48, 138; 312/194, 198, 204, 213; D34/17,  
D34/19; D5/53, 57, 43, 29, 64  
See application file for complete search history.

(56) **References Cited**

**U.S. PATENT DOCUMENTS**

1,485,810 A \* 3/1924 Parker, Jr. et al. .... 52/315  
(Continued)

**FOREIGN PATENT DOCUMENTS**

DE 3600257 A1 7/1987  
DE 44 38 204 A1 6/1995  
(Continued)

**OTHER PUBLICATIONS**

International Search Report for International Application No. PCT/  
US2010/045611 dated Jan. 6, 2012 (4 pages).  
(Continued)

*Primary Examiner* — Philip S Hyder

*Assistant Examiner* — Sydney Buffalow

(74) *Attorney, Agent, or Firm* — Nixon Peabody LLP

(57) **CLAIM**

We claim the ornamental design for a “flexible sample of a countertop replica,” as shown and described.

**DESCRIPTION**

This application claims priority to U.S. patent application Ser. No. 12/748,215, filed Mar. 26, 2010, entitled “Kit Of Pre-Construction Samples For Replicating Construction Products,” and claims priority to U.S. patent application Ser. No. 12/605,116, filed Oct. 23, 2009, entitled “Kit Of Pre-Construction Samples For Replicating Construction Products,” both of which are herein incorporated by reference in their entirety.

FIG. 1 is a perspective view of a flexible sample of a countertop replica, and which shows our flexible sample of a countertop replica in one of its intended environments on an existing countertop.

FIG. 2 is a front end view of the flexible sample of a countertop replica shown in FIG. 1.

FIG. 3 is a top view of the flexible sample of a countertop replica shown in FIG. 1.

FIG. 4 is a left side view of the flexible sample of a countertop replica shown in FIG. 1.

FIG. 5 is a right side view of the flexible sample of a countertop replica shown in FIG. 1.

FIG. 6 is a rear end view of the flexible sample of a countertop replica shown in FIG. 1, taken from the lower end having the optional header.

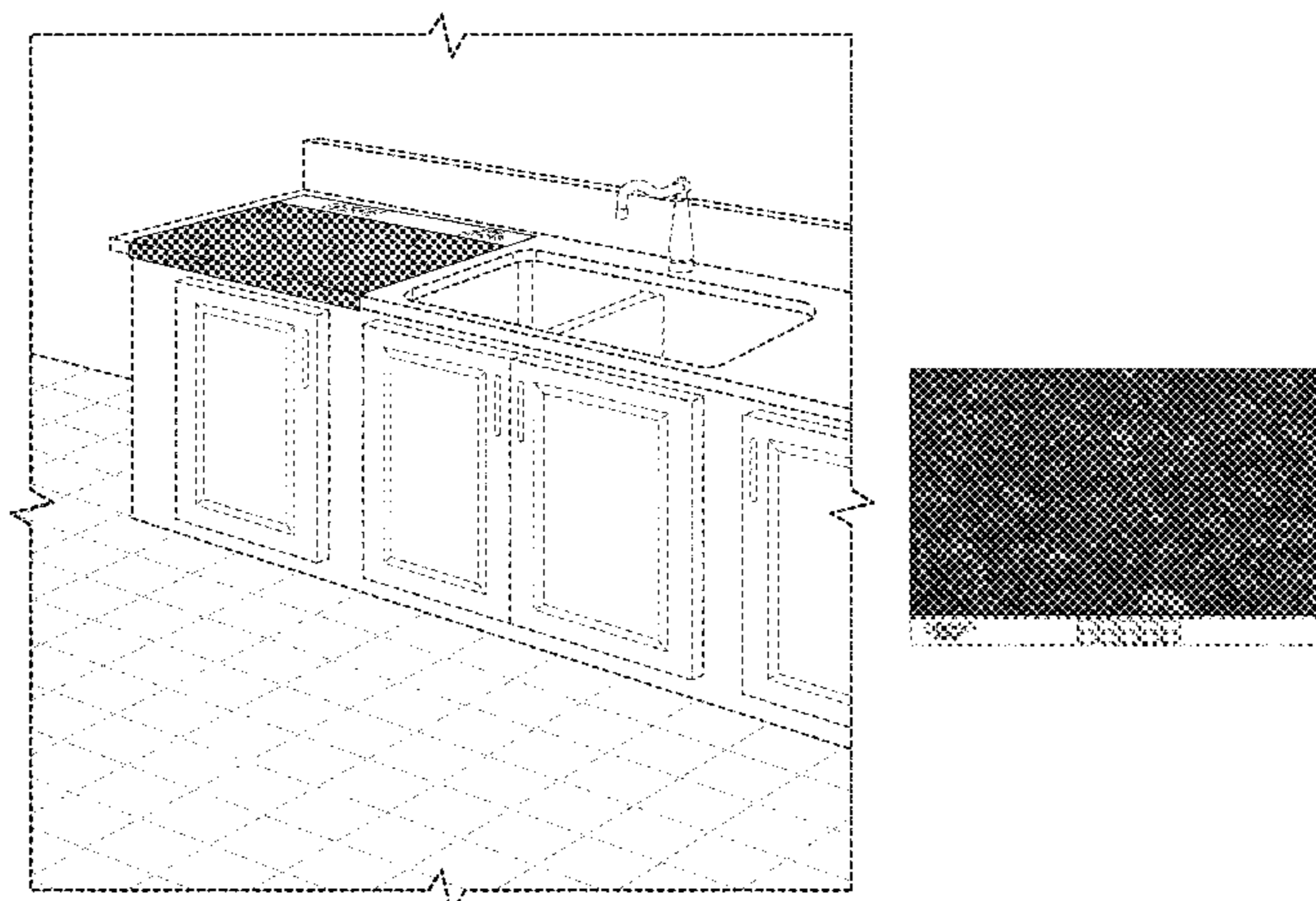
FIG. 7 is a bottom view of the flexible sample of a countertop replica shown in FIG. 1 with an optional region having information regarding the countertop.

FIG. 8 is an alternative embodiment of the flexible sample of a countertop replica shown in FIGS. 1-7, in which the flexible sample includes a darker base countertop simulation than the flexible sample of FIGS. 1-7; and,

FIG. 9 is an alternative embodiment of the flexible sample of a countertop replica shown in FIGS. 1-7, in which the flexible sample includes a lighter base countertop simulation than the flexible sample of FIGS. 1-7.

The broken lines are only for illustrative purposes to show visible environmental structure and internal features, which form no part of the claimed design.

**1 Claim, 4 Drawing Sheets**



# US D677,955 S

Page 2

## U.S. PATENT DOCUMENTS

D204,181 S \* 3/1966 Mazur ..... D5/62  
D218,663 S \* 9/1970 Clementi ..... D5/37  
4,248,018 A 2/1981 Casmayor ..... 49/504  
D301,804 S \* 6/1989 McIlhinney ..... D5/62  
4,854,464 A 8/1989 Kim ..... 220/22  
D353,459 S \* 12/1994 Adrian ..... D25/138  
D381,834 S 8/1997 Potter et al. .... D6/409  
5,685,430 A 11/1997 Weisburn et al. .... 206/455  
5,996,794 A 12/1999 Popovich ..... 206/456  
6,340,092 B1 1/2002 McGrath, Jr. .... 211/169  
D484,707 S \* 1/2004 Kraker ..... D5/43  
D484,708 S \* 1/2004 Kraker ..... D5/43  
D485,078 S \* 1/2004 Tusso ..... D5/62  
D486,922 S \* 2/2004 Baxter ..... D25/163  
D487,848 S \* 3/2004 Crye et al. .... D5/62  
D574,880 S \* 8/2008 Fennessy, Sr. .... D18/18  
D594,994 S 6/2009 Kimura et al. .... D25/157  
7,543,417 B2 6/2009 McIntosh et al. .... 52/589.1  
D595,870 S 7/2009 Moller, Jr. et al. .... D25/163  
D595,871 S 7/2009 Moller, Jr. et al. .... D25/163  
D599,917 S 9/2009 Kimura et al. .... D25/157  
D602,258 S \* 10/2009 Simione et al. .... D5/62  
7,632,561 B2 12/2009 Thiers ..... 428/151

7,640,705 B2 1/2010 Kornfalt et al. .... 53/395  
D656,742 S \* 4/2012 Culler et al. .... D5/62  
D664,671 S \* 7/2012 Walsh ..... D25/48.3  
2005/0074583 A1 4/2005 Gratopp et al. .... 428/174  
2005/0114703 A1 5/2005 Allen, Jr. et al. .... 713/201  
2006/0265978 A1 11/2006 Stein et al. .... 52/204.5  
2008/0249894 A1 10/2008 Madel ..... 705/27  
2008/0264823 A1 10/2008 Siegel ..... 206/578  
2009/0044466 A1 2/2009 Andres ..... 52/204.53

## FOREIGN PATENT DOCUMENTS

EM 0387 902 A2 3/1990  
WO WO 91/12940 A2 9/1991  
WO WO 00/53865 A1 9/2000

## OTHER PUBLICATIONS

International Written Opinion for International Application No. PCT/  
US2010/045611 dated Jan. 6, 2012 (5 pages).  
Press Release from Formica on new 180fx™ product (Aug. 3, 2009),  
miscellaneous website pages, and 180fx™ product brochure from  
www.formica.com (13 pages).

\* cited by examiner

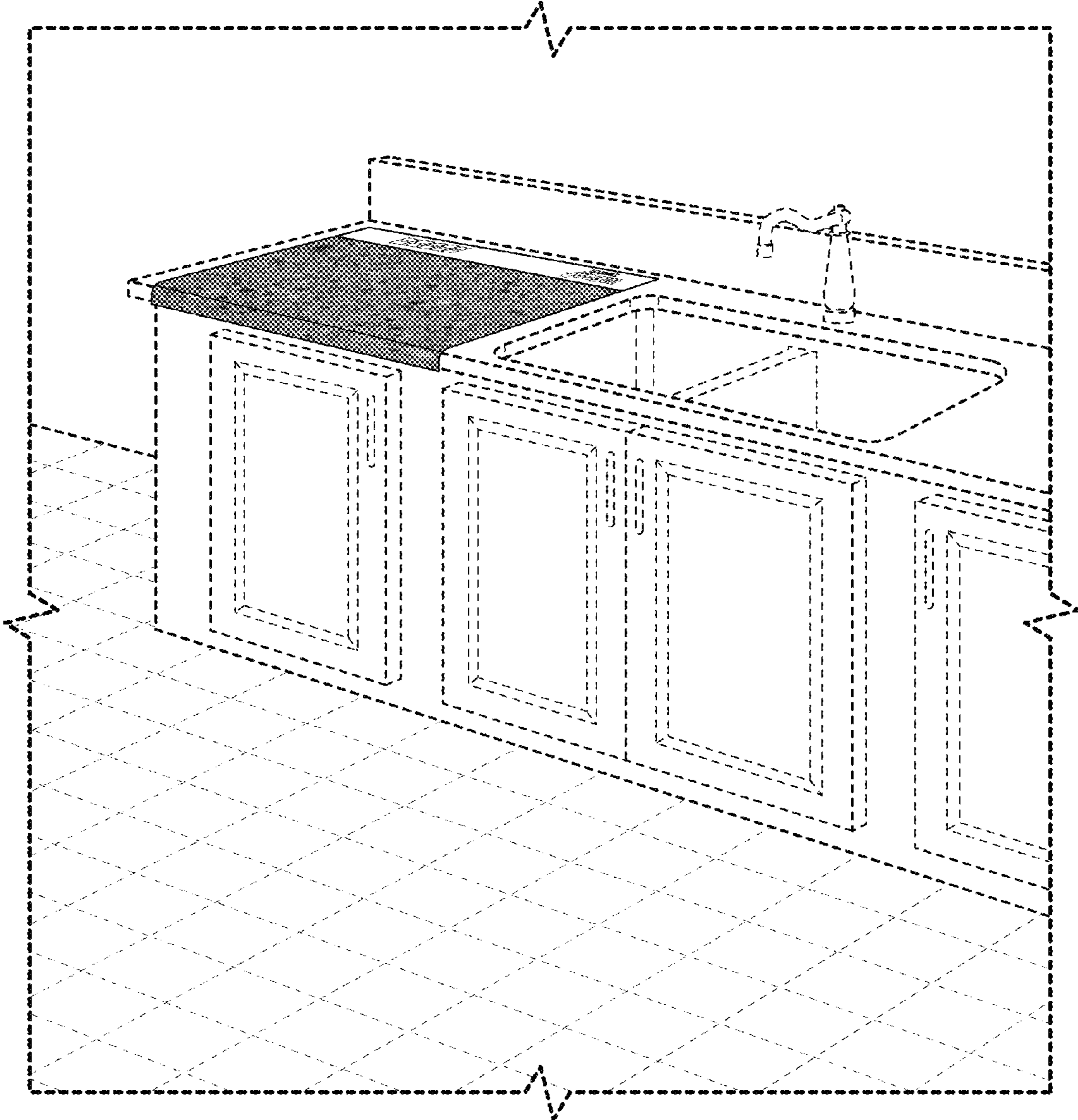


FIG. 1



FIG. 2

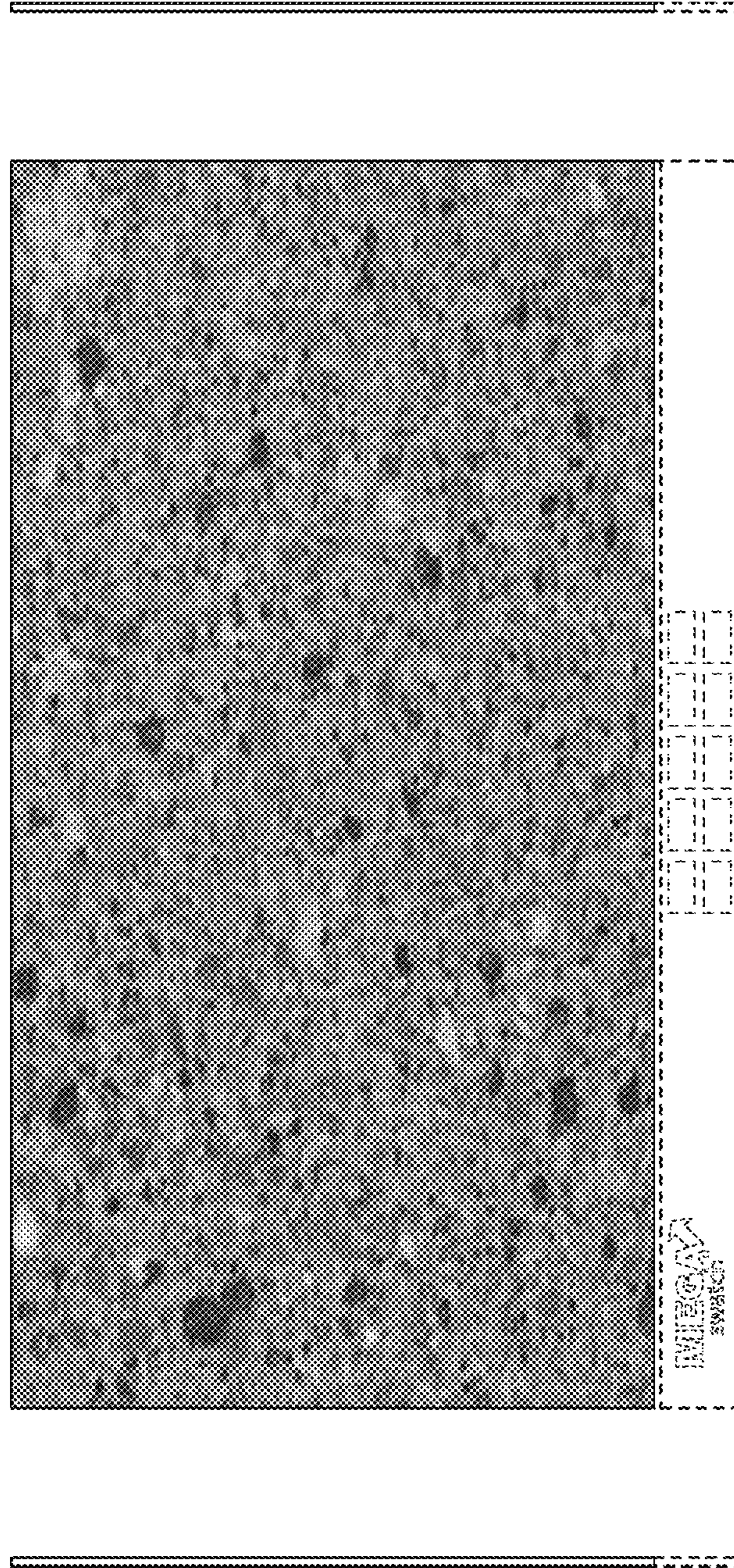


FIG. 3

FIG. 5

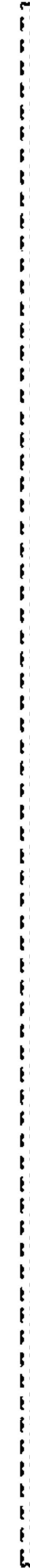


FIG. 6

FIG. 4

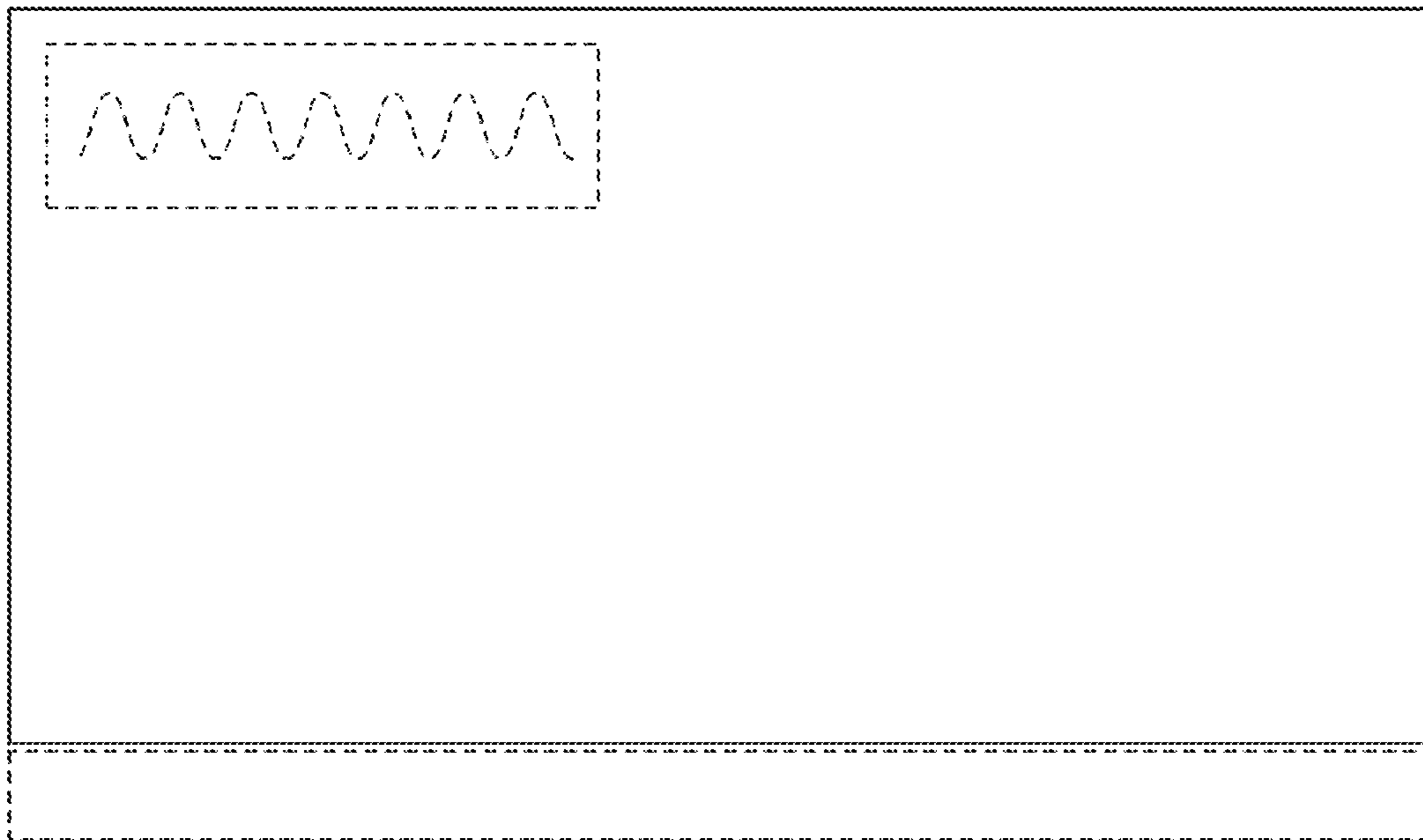


FIG. 7

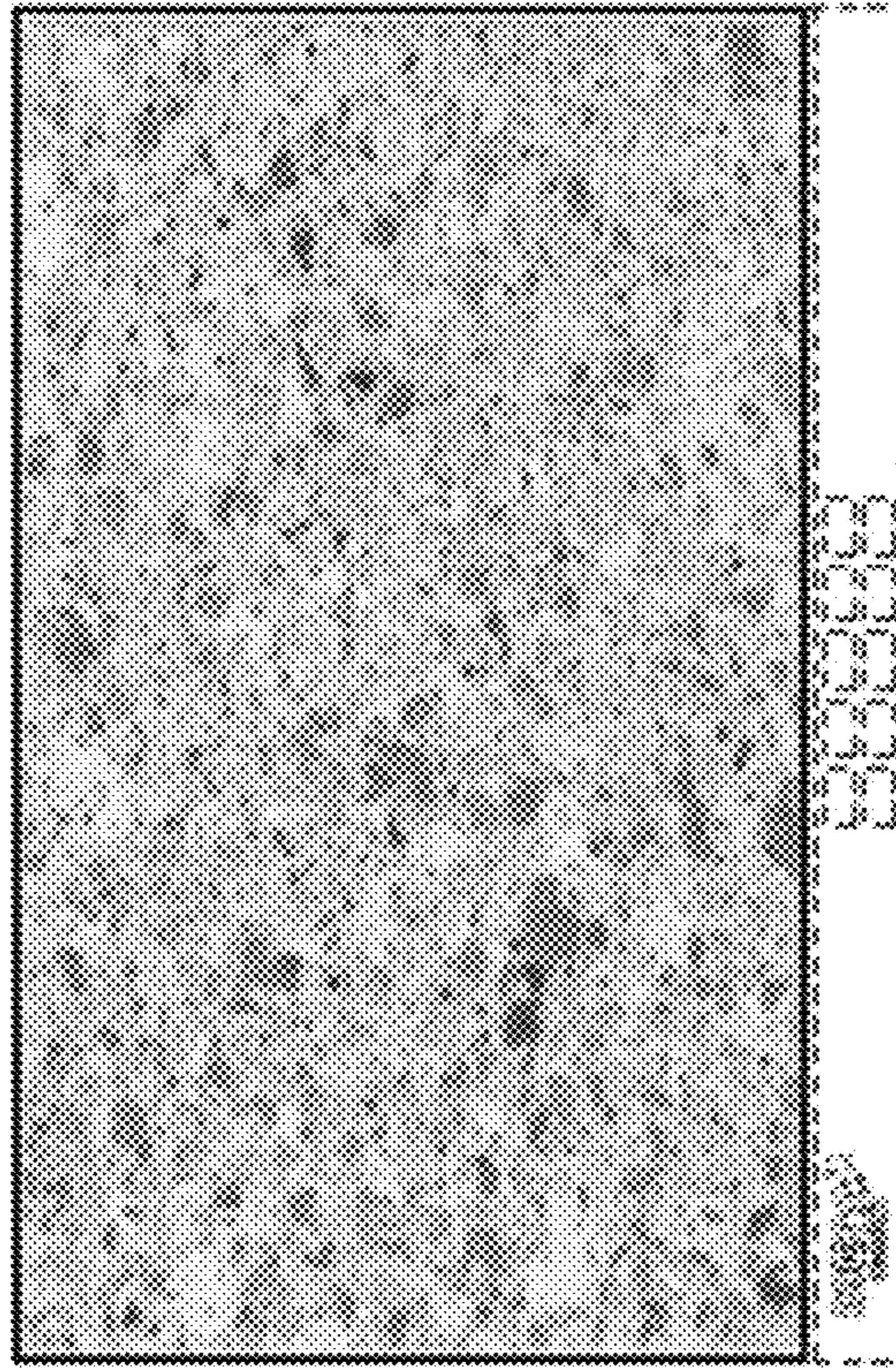


FIG. 9

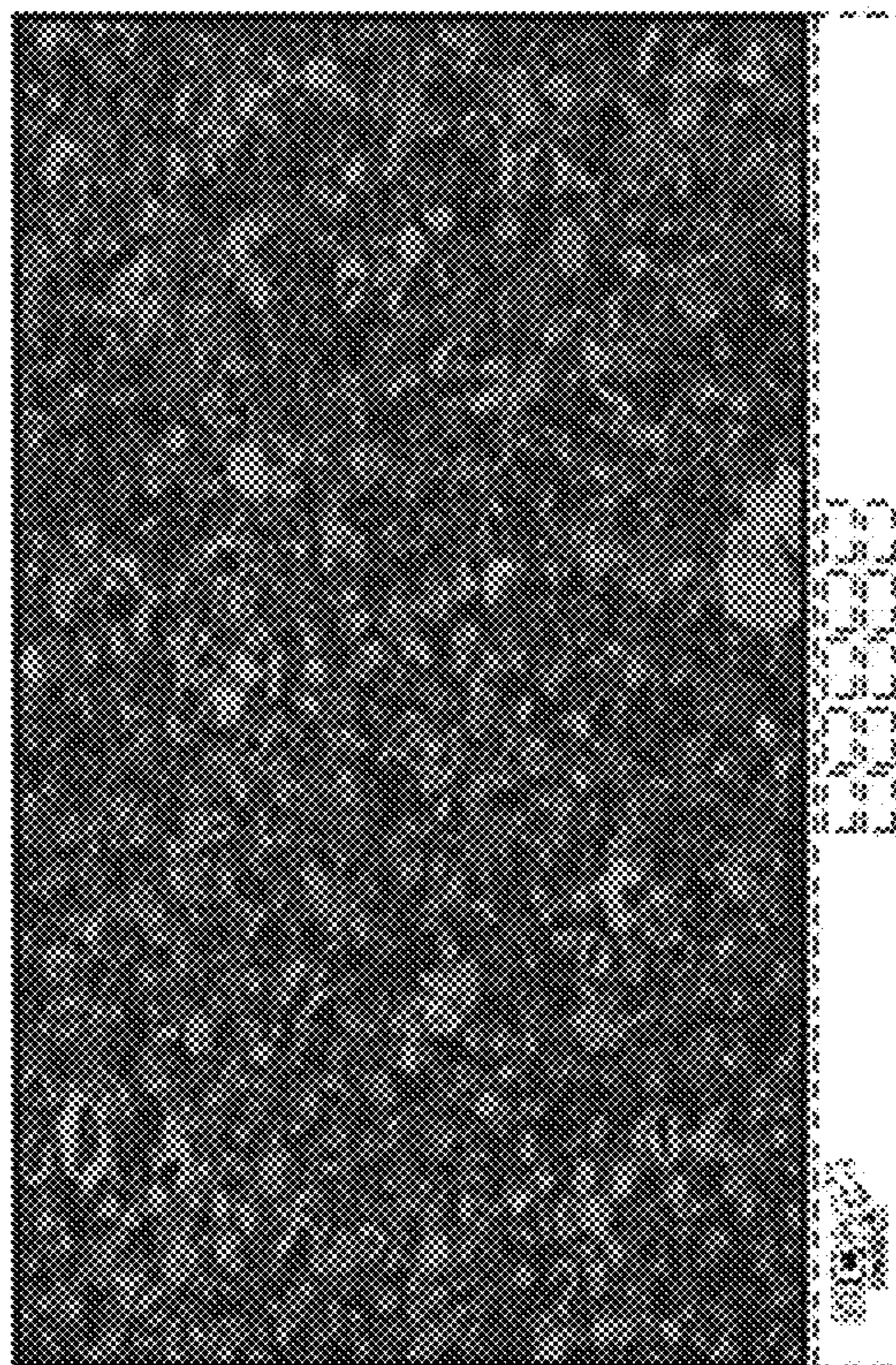


FIG. 8