



US00D677954S

(12) **United States Design Patent**  
**Biter et al.**

(10) **Patent No.:** **US D677,954 S**  
(45) **Date of Patent:** **\*\* Mar. 19, 2013**

(54) **CRIB**  
(75) Inventors: **Jason Biter**, Medina, OH (US); **David E. Campbell**, Westfield Center, OH (US)

5,715,551 A 2/1998 Proano et al.  
(Continued)

(73) Assignee: **Foundations Worldwide, Inc.**, Medina, OH (US)

**OTHER PUBLICATIONS**

Convertible "Kathryn" Crib Instruction Sheet, Jun. 2003.

(\*\*) Term: **14 Years**

*Primary Examiner* — Philip S Hyder

*Assistant Examiner* — Sydney Buffalow

(21) Appl. No.: **29/392,695**

(74) *Attorney, Agent, or Firm* — Christopher L. Parmelee; Walker & Jocke

(22) Filed: **May 25, 2011**

(51) **LOC (9) Cl.** ..... **06-06**

(52) **U.S. Cl.** ..... **D6/503**

(58) **Field of Classification Search** ..... D6/396,  
D6/507, 491, 495, 503, 388-395; D8/327,  
D8/323; D16/225; 5/93.1, 93.2, 99.1, 101,  
5/105

See application file for complete search history.

(57) **CLAIM**

The ornamental design for a crib, as shown and described.

(56) **References Cited**

**DESCRIPTION**

**U.S. PATENT DOCUMENTS**

D69,241 S *	1/1926	Stuart	.....	D6/507
D78,863 S *	6/1929	Stuart	.....	D6/507
D168,681 S *	1/1953	Feldman	.....	D6/503
D207,484 S *	4/1967	Amdal	.....	D8/327
3,590,403 A	7/1971	Mixon		
3,634,894 A	1/1972	Harbison		
D235,713 S *	7/1975	Donner	.....	D6/507
3,896,513 A	7/1975	Boucher et al.		
3,934,282 A	1/1976	Bryant		
4,231,135 A *	11/1980	Fradin	.....	16/225
D272,040 S *	1/1984	Scanlan	.....	D8/327
D274,877 S *	7/1984	Mower et al.	.....	D6/507
4,752,977 A	6/1988	Smith et al.		
4,765,004 A	8/1988	Kessel		
4,768,243 A	9/1988	Waples		
D298,708 S *	11/1988	Nygren	.....	D6/491
5,040,254 A	8/1991	Frank		
5,068,932 A	12/1991	Chang		
5,072,464 A	12/1991	Draheim et al.		
5,077,846 A	1/1992	Wheeler, III et al.		
5,201,085 A	4/1993	Shamie		
D356,452 S *	3/1995	Proano et al.	.....	D6/391
D357,607 S *	4/1995	Nilsson	.....	D6/495
D366,778 S *	2/1996	Pollard	.....	D6/390

FIG. 1 is an upper perspective view showing our new design for a crib.

FIG. 2 is a lower perspective view thereof.

FIG. 3 is front side plan view thereof.

FIG. 4 is back side plan view thereof.

FIG. 5 is a right side plan view thereof, the left side being a mirror image.

FIG. 6 is a top side plan view thereof.

FIG. 7 is a bottom side plan view thereof.

FIG. 8 is a cross-section plan view along lines 8-8 of FIG. 6.

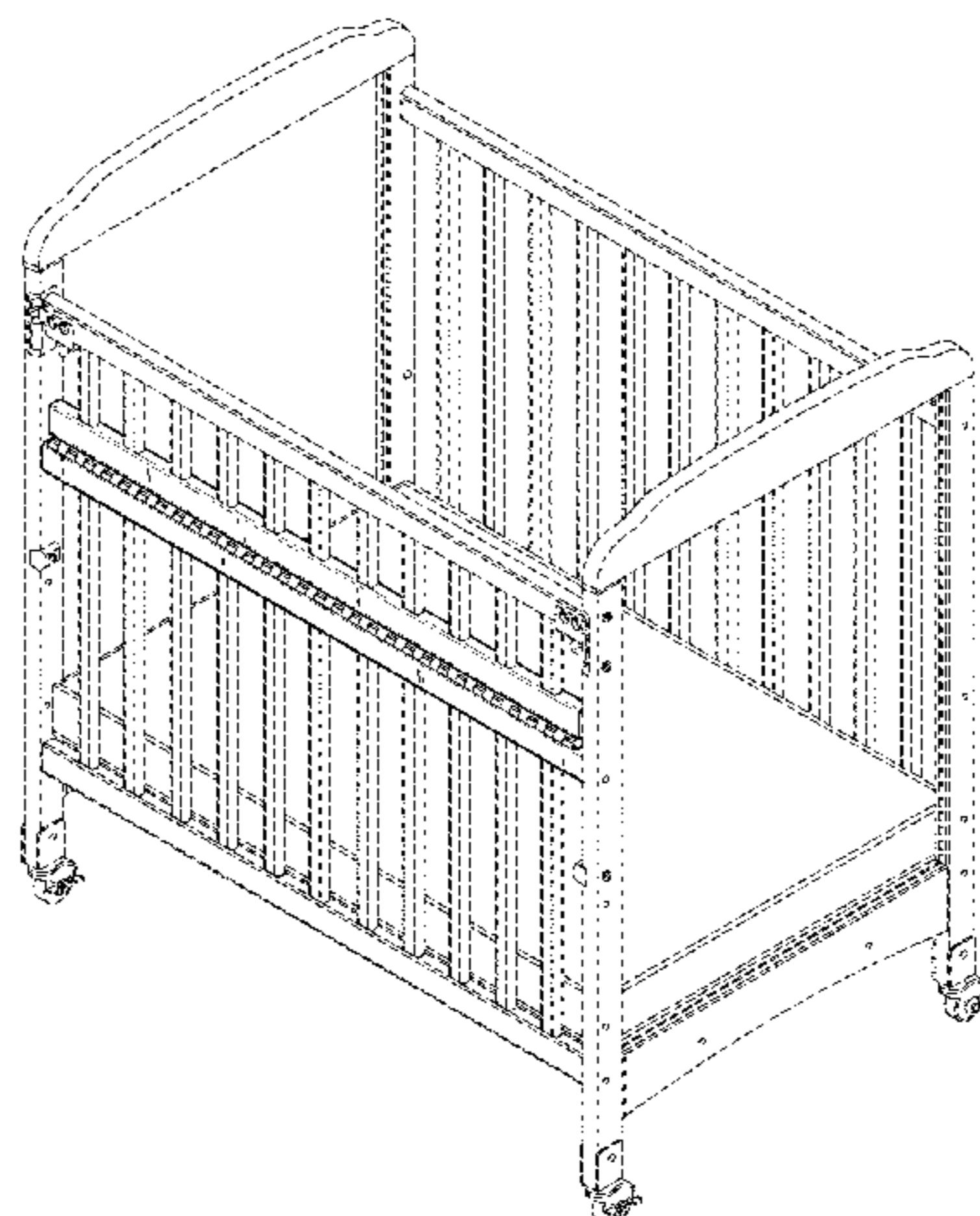
FIG. 9 is an enlarged right side lower perspective view of the cross-section view of FIG. 8.

FIG. 10 is an enlarged right side upper perspective view of the cross-section view of FIG. 8; and,

FIG. 11 is an enlarged left side upper perspective view of the cross-section view of FIG. 8.

The broken lines adjacent the shaded areas represent the boundaries of the claimed design, while the other broken lines representing the outline of portions of the crib depict environmental subject matter only, and form no part of the claimed design.

**1 Claim, 11 Drawing Sheets**



# US D677,954 S

Page 2

---

## U.S. PATENT DOCUMENTS

6,088,851	A	7/2000	Draheim				
D429,431	S *	8/2000	Zaidman	.....	D6/491		
6,817,046	B1	11/2004	Srour et al.				
7,376,986	B2	5/2008	Smith et al.				
D586,589	S *	2/2009	Magnusson	.....	D6/491		
D597,345	S *	8/2009	Oshinomi et al.	.....	D6/491		
D603,628	S *	11/2009	Towater et al.	.....	D6/491		
D604,065	S *	11/2009	Towater et al.	.....	D6/491		
D611,324	S *	3/2010	Dawson	.....	D8/323		
D619,376	S *	7/2010	Schopmeyer	.....	D6/300		
D623,041	S *	9/2010	Ayrest	.....	D8/327		
D625,576	S *	10/2010	Oshima	.....	D8/329		
D628,409	S *	12/2010	Anzai	.....	D6/491		

\* cited by examiner

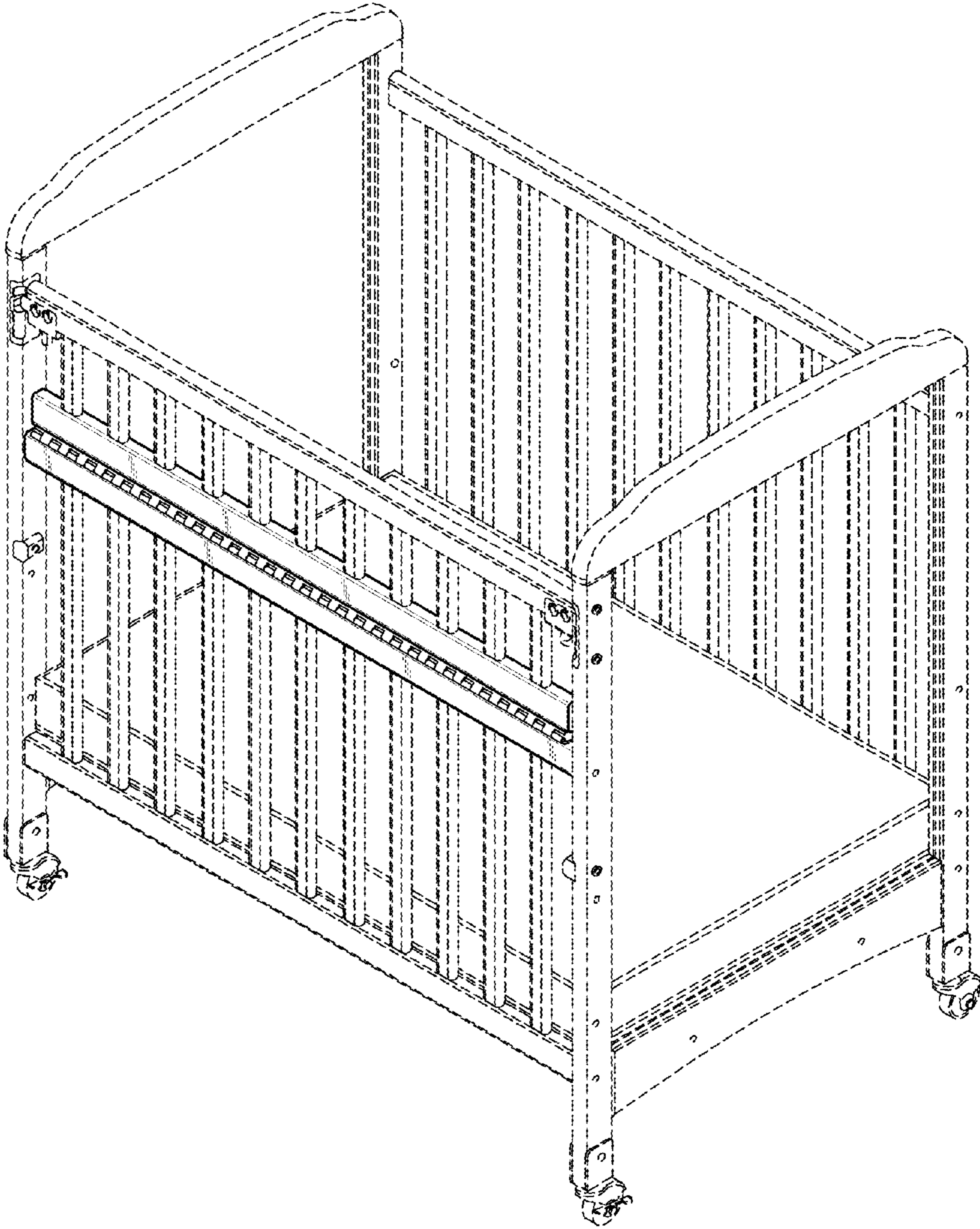


FIG. 1

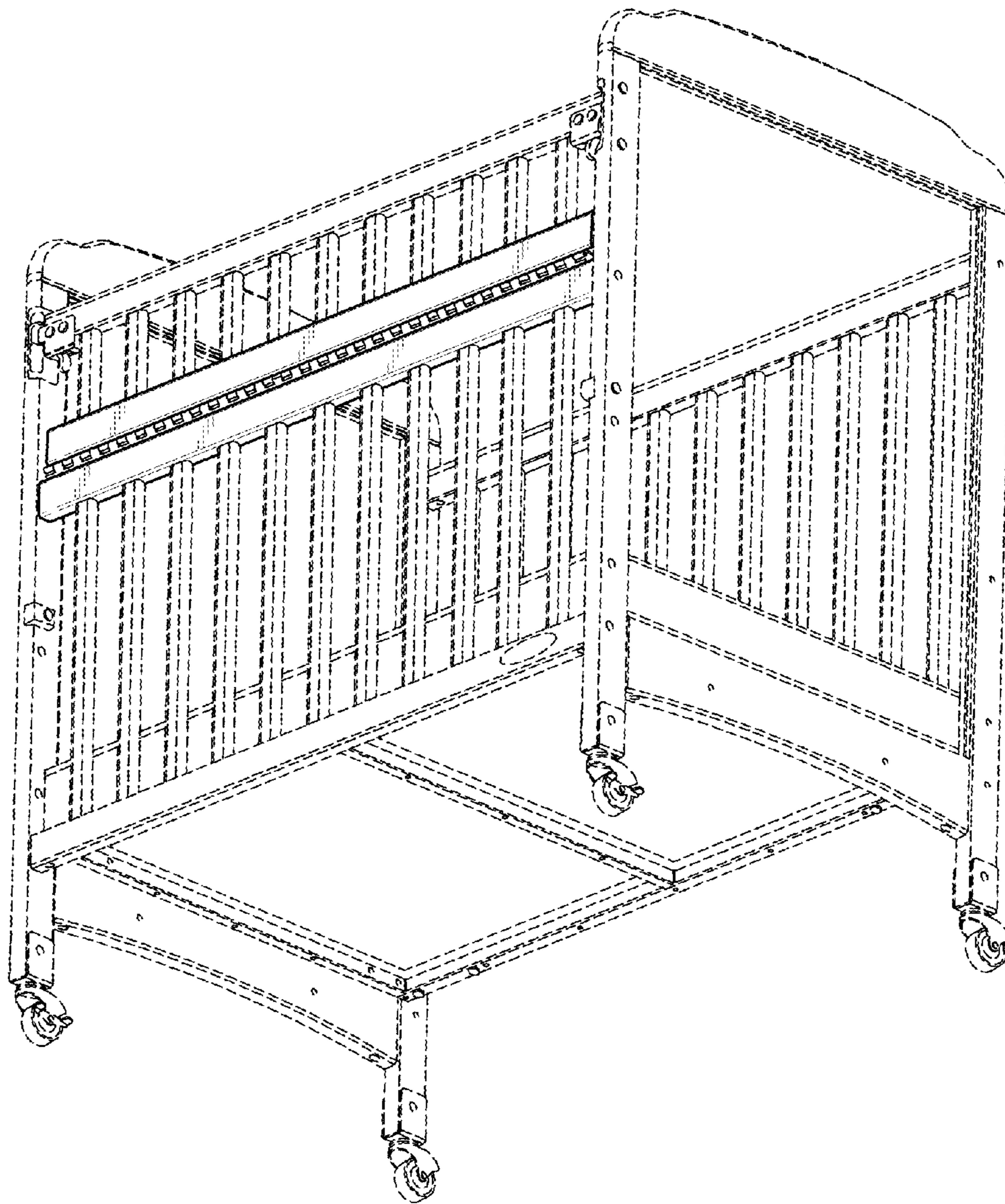


FIG. 2

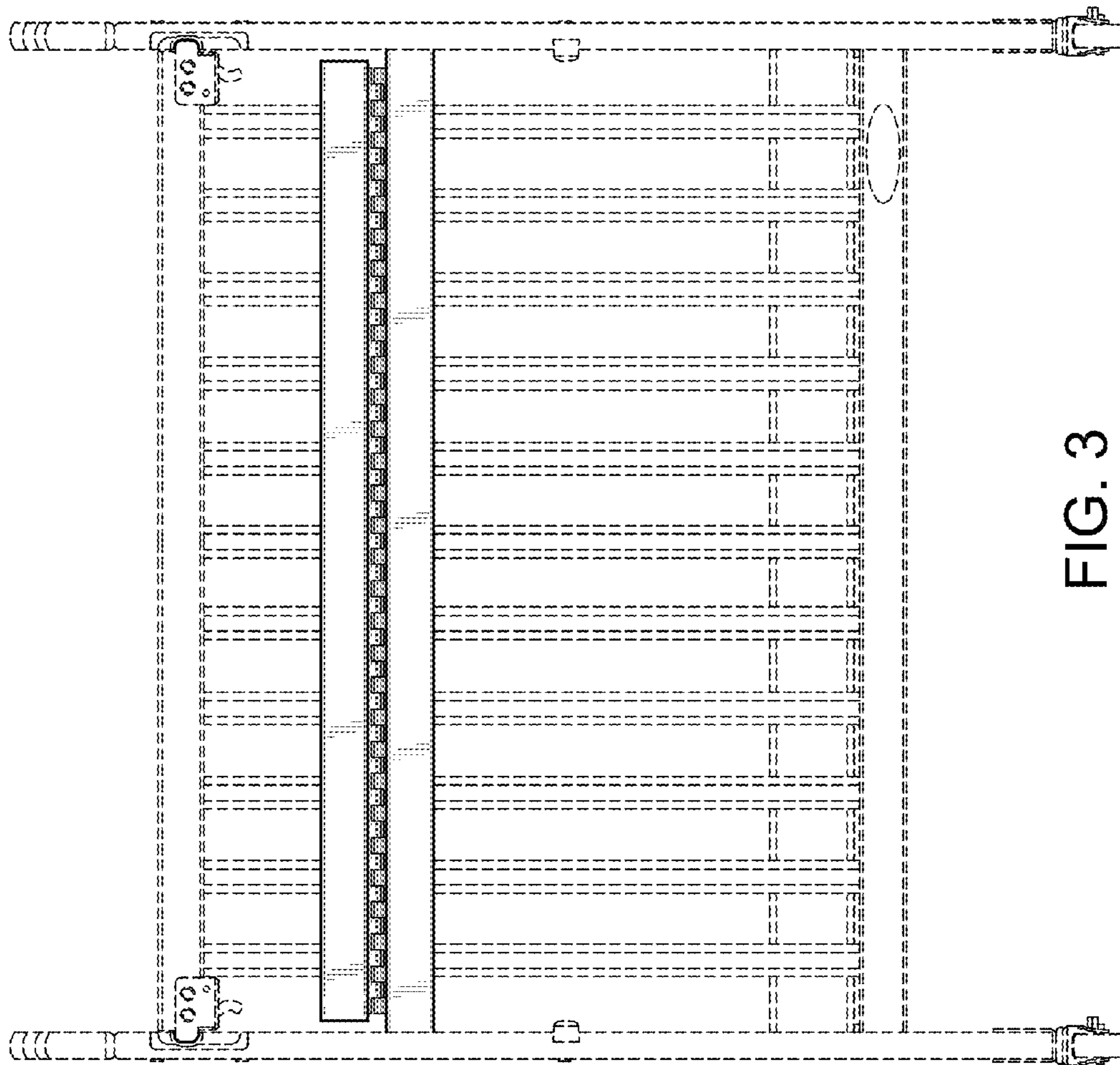


FIG. 3

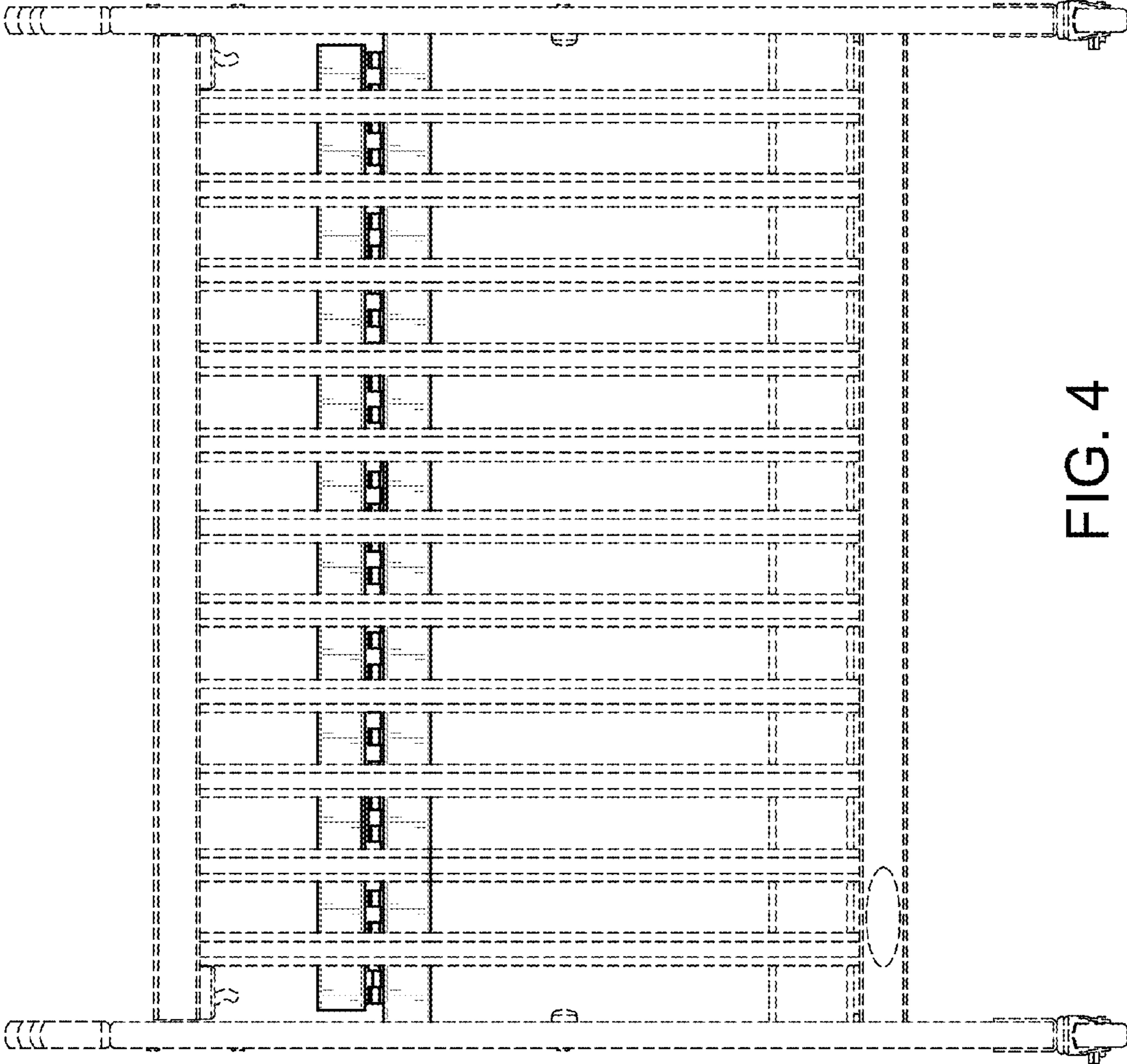


FIG. 4

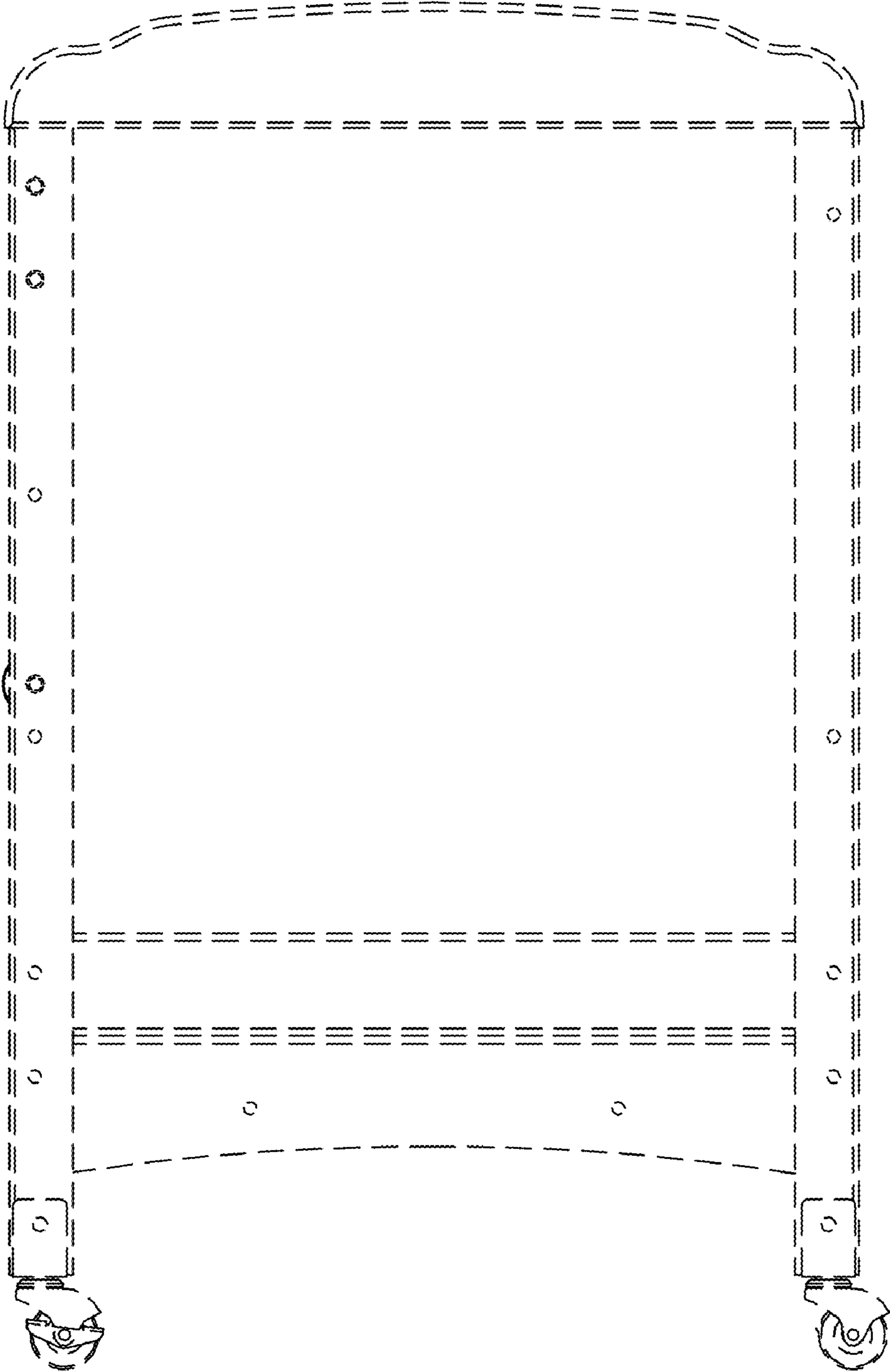


FIG. 5

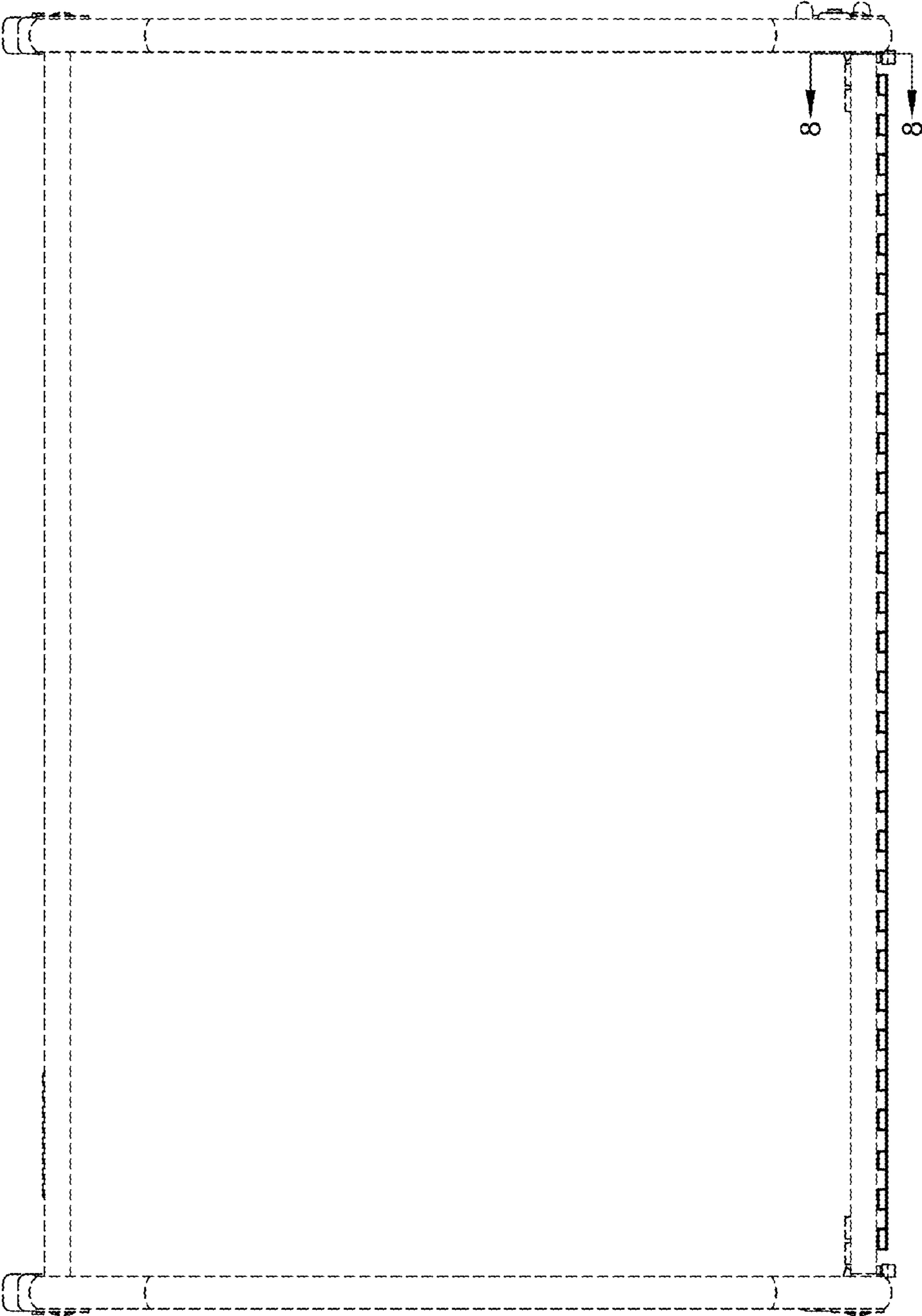


FIG. 6



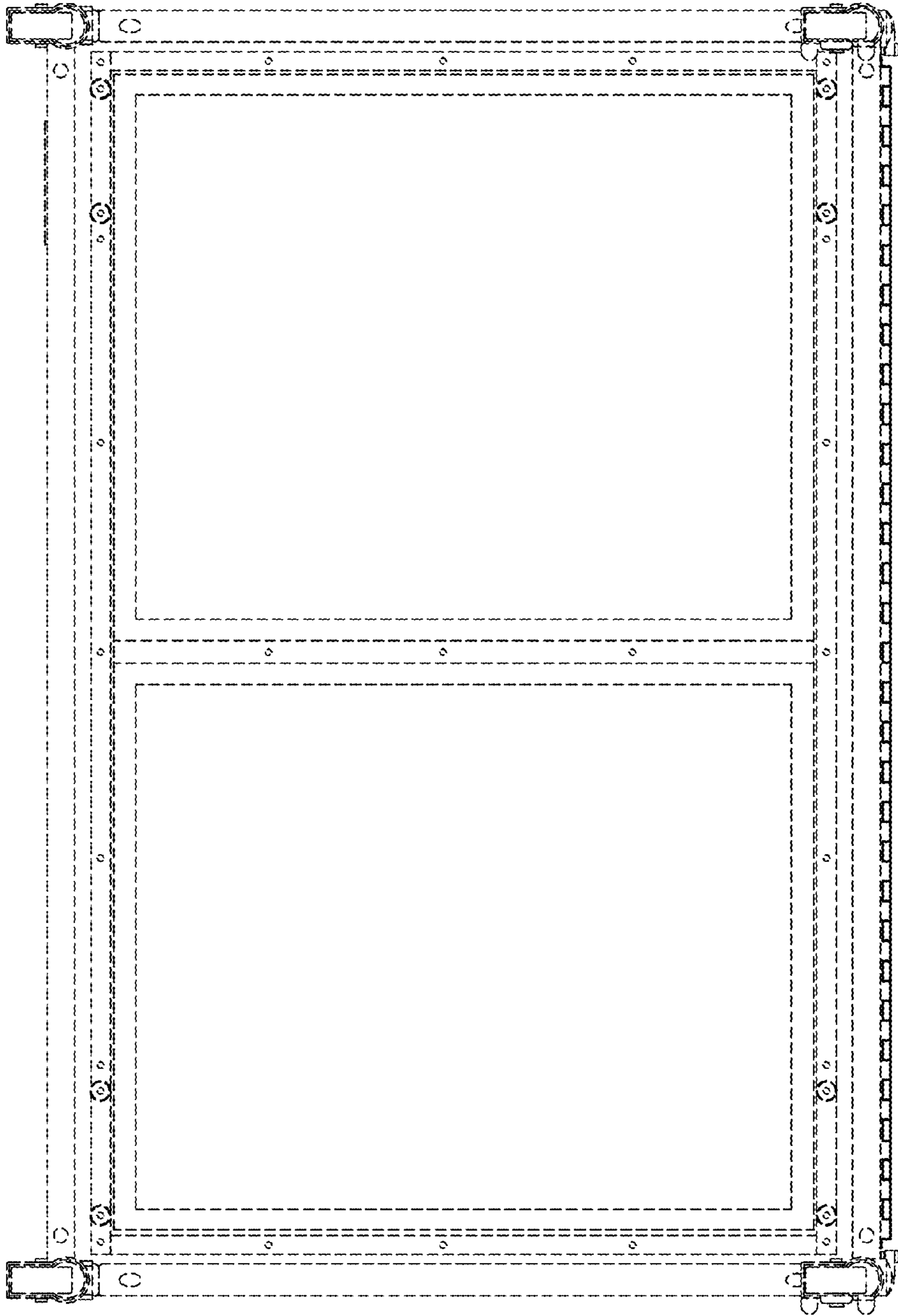


FIG. 7

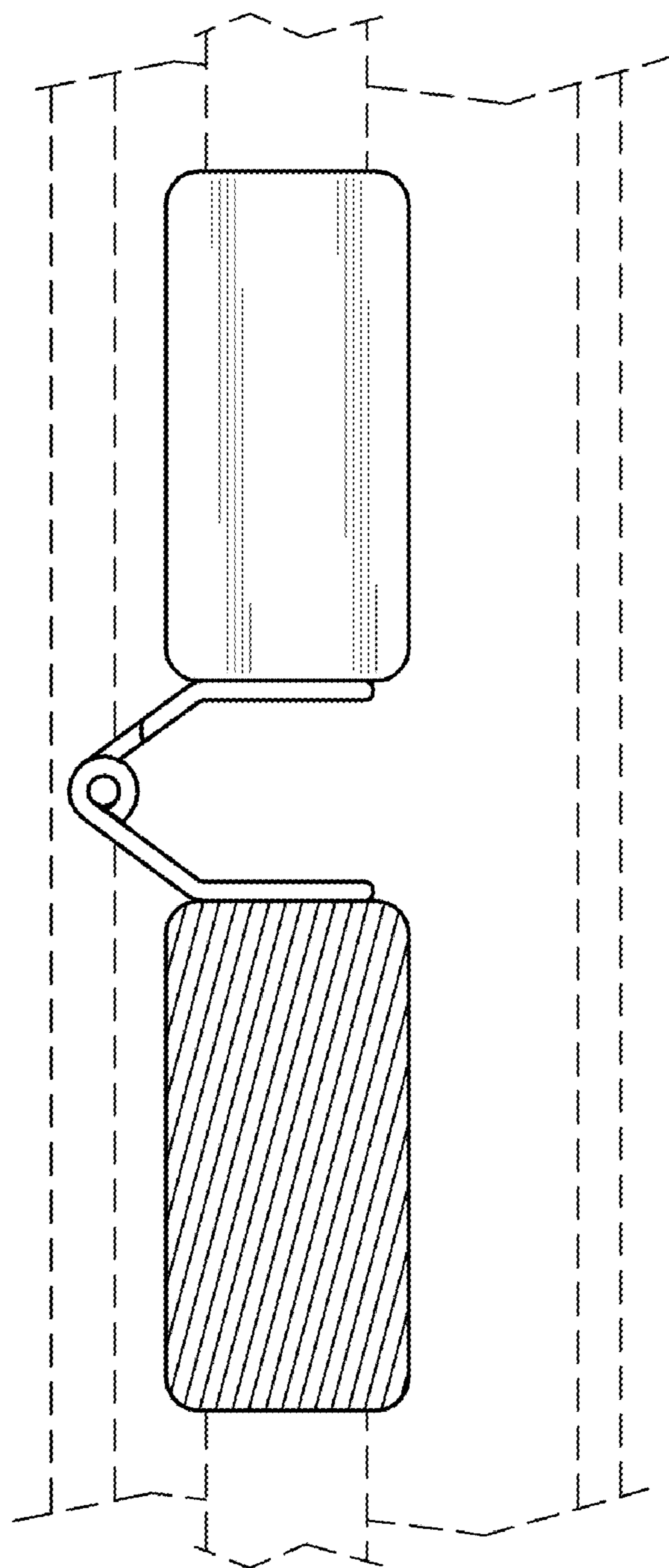


FIG. 8

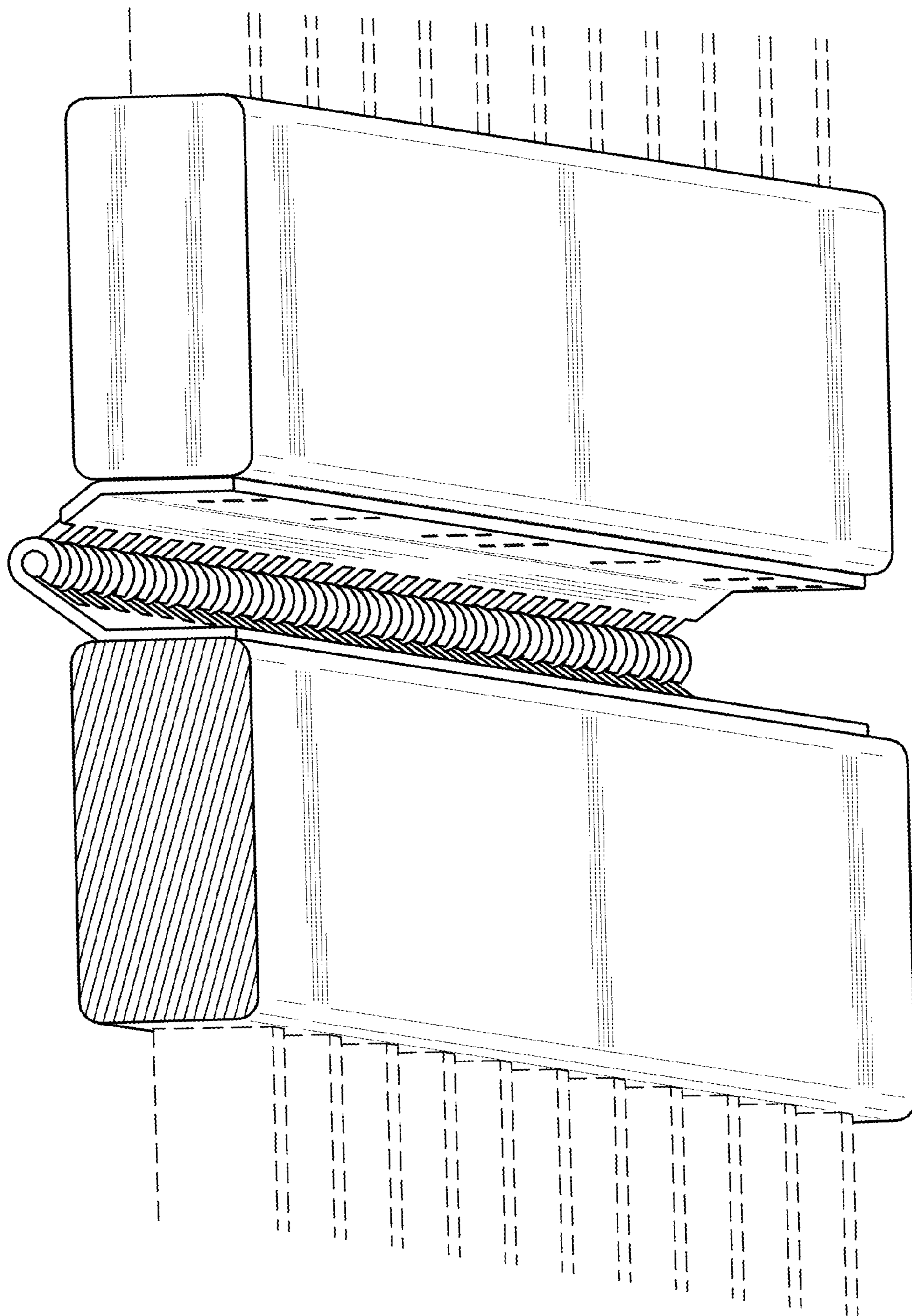


FIG. 9

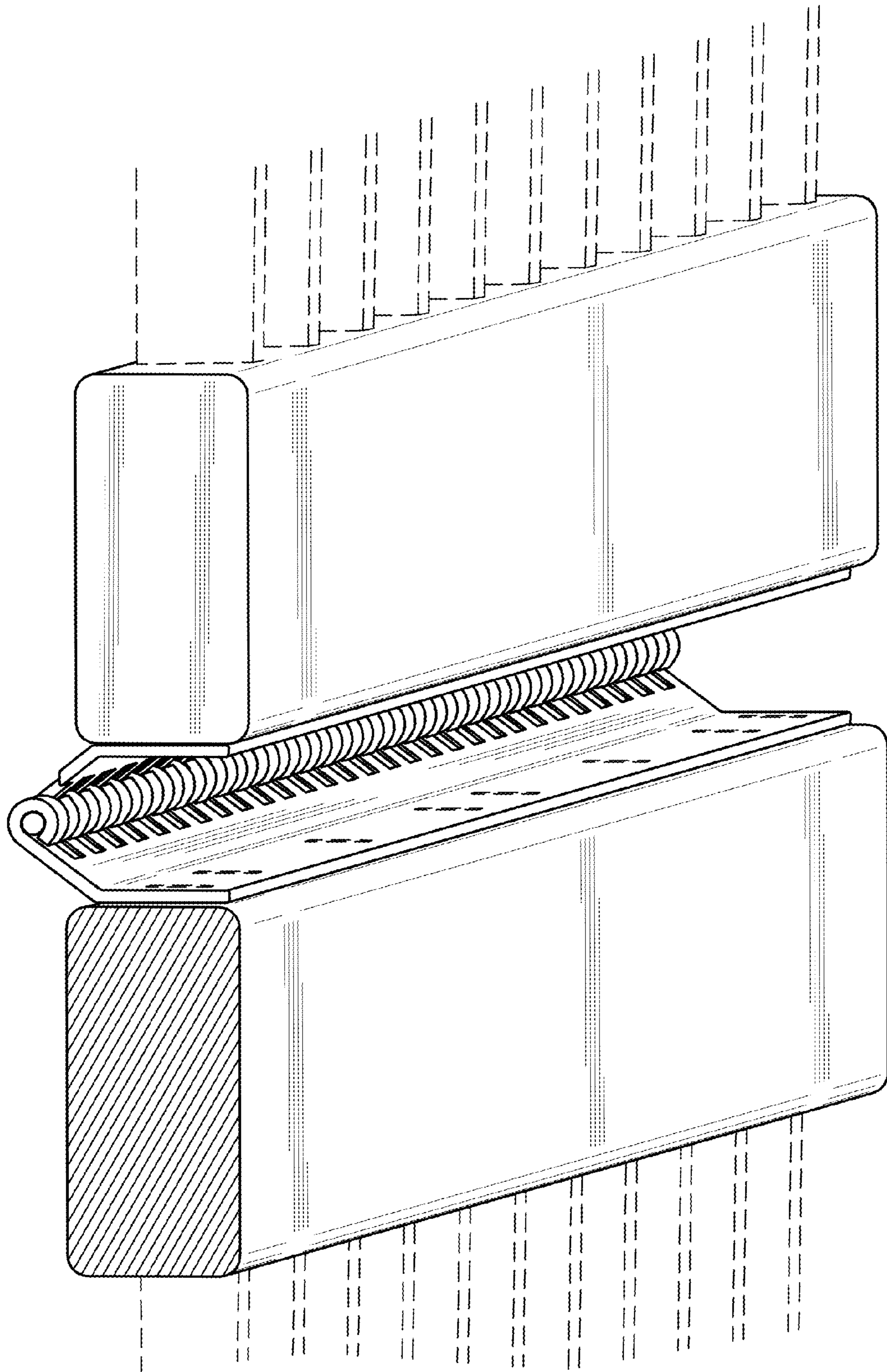


FIG. 10

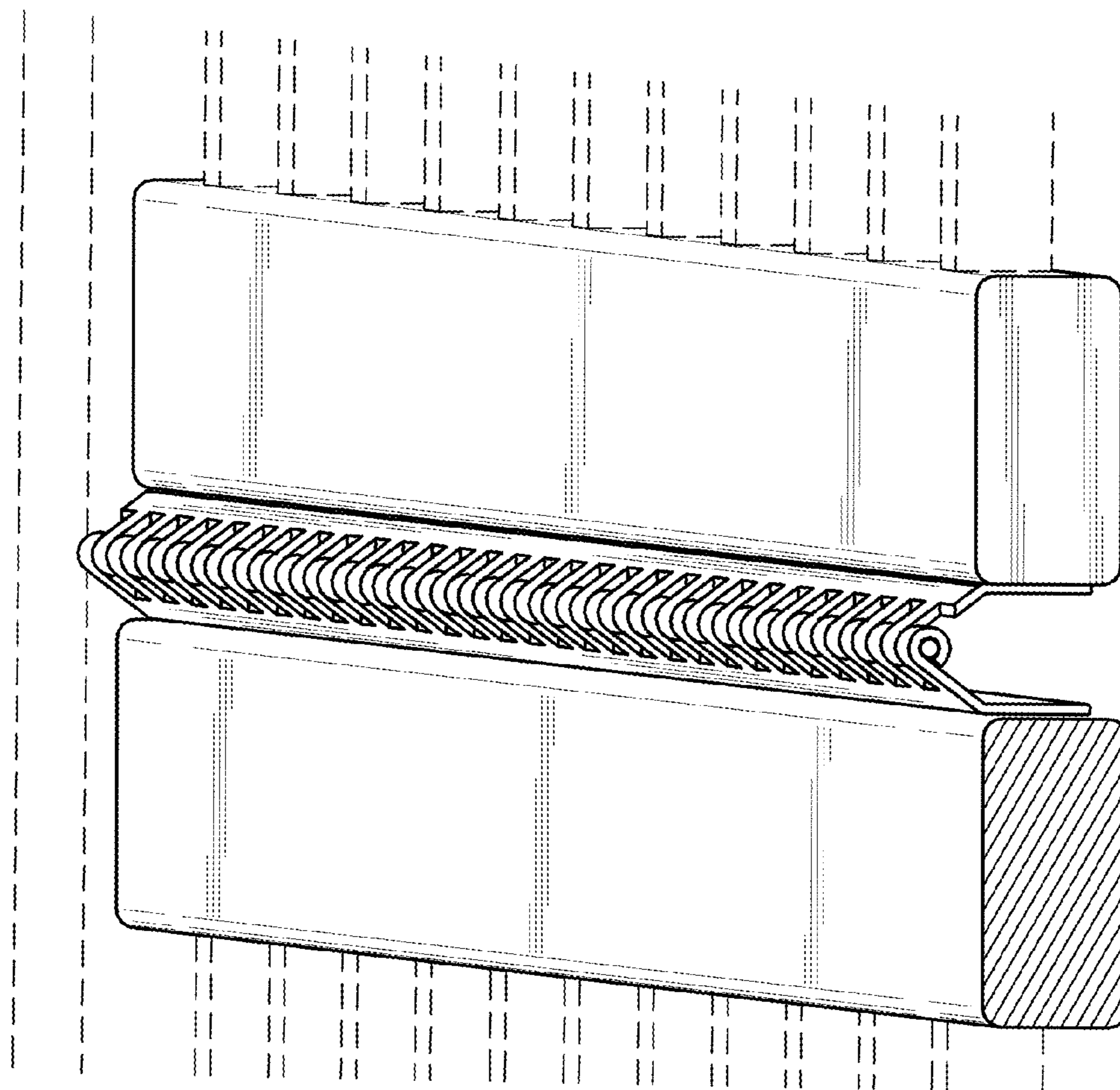


FIG. 11