



US00D677948S

(12) **United States Design Patent**
Hansen

(10) **Patent No.:** **US D677,948 S**

(45) **Date of Patent:** **** Mar. 19, 2013**

(54) **BARSTOOL**

(76) Inventor: **Joshua Hansen**, Idaho Falls, ID (US)

(**) Term: **14 Years**

(21) Appl. No.: **29/414,300**

(22) Filed: **Feb. 27, 2012**

(51) **LOC (9) Cl.** **06-01**

(52) **U.S. Cl.** **D6/500; D6/360**

(58) **Field of Classification Search** D6/334-336,
D6/349, 360, 364, 365, 366, 367, 374, 379,
D6/380, 500-502; 297/411.4, 411.41, 423.14,
297/423.19, 423.39, 423.41, 452.2, 461
See application file for complete search history.

(56) **References Cited**

U.S. PATENT DOCUMENTS

D294,434 S *	3/1988	Zakharov	D6/360
D313,896 S *	1/1991	Kaye	D6/365
D487,982 S *	4/2004	Lee	D6/360
D533,375 S *	12/2006	Muller	D6/500
D542,573 S *	5/2007	Muller	D6/500
D555,949 S *	11/2007	Muller	D6/502

D579,676 S *	11/2008	Rheault et al.	D6/349
D586,592 S *	2/2009	Petruccelli	D6/500
D660,028 S *	5/2012	Rode	D6/360
D661,132 S *	6/2012	Hansen	D6/500
2008/0093909 A1 *	4/2008	Deng	297/461

* cited by examiner

Primary Examiner — Mimoso De

(74) *Attorney, Agent, or Firm* — Thorpe North & Western LLP

(57) **CLAIM**

The ornamental design for a barstool, as shown.

DESCRIPTION

FIG. 1 is a perspective view of a barstool of the present invention;

FIG. 2 is a front view thereof;

FIG. 3 is a rear view thereof;

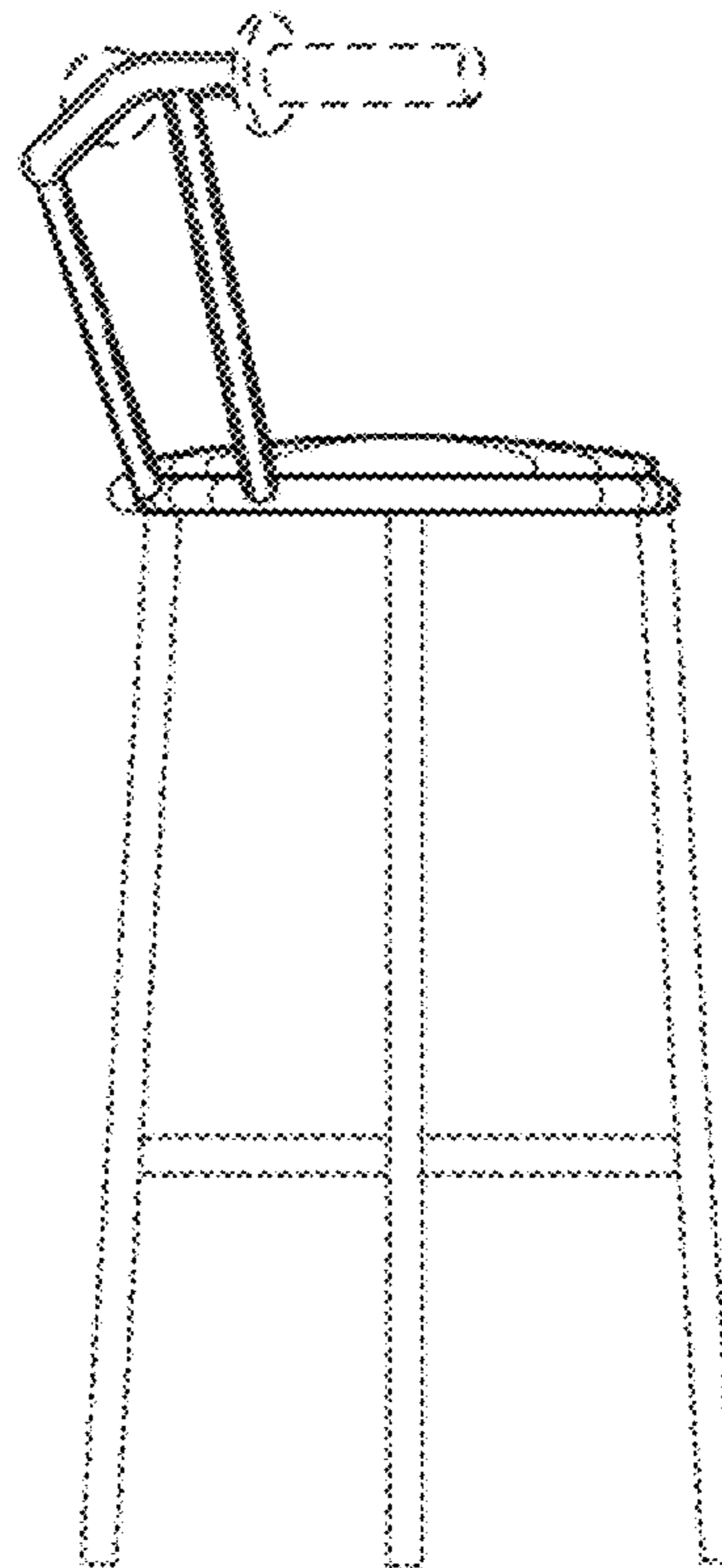
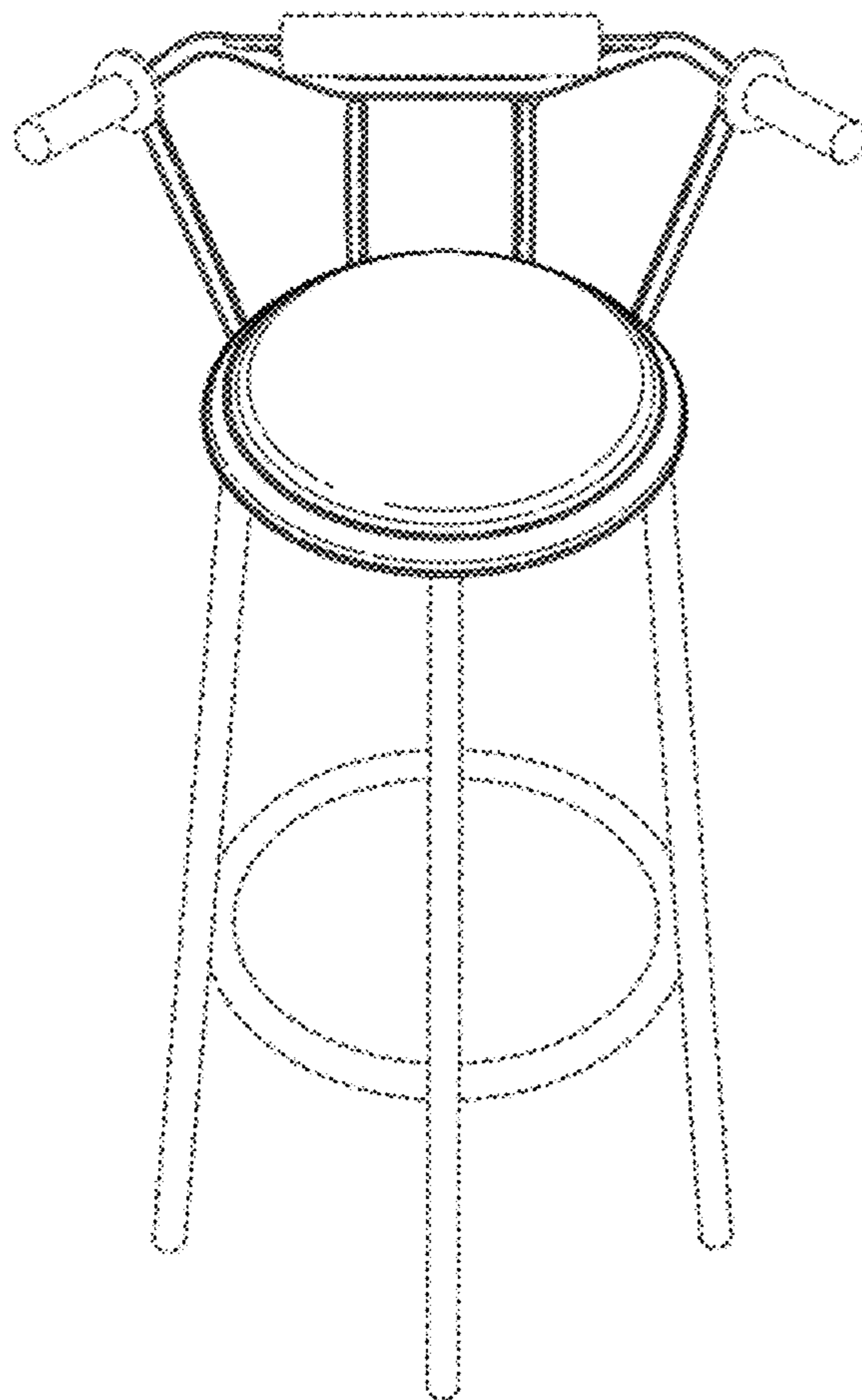
FIG. 4 is a side view thereof;

FIG. 5 is an opposing side view thereof;

FIG. 6 is a top view thereof; and,

FIG. 7 is a bottom view thereof.

1 Claim, 5 Drawing Sheets



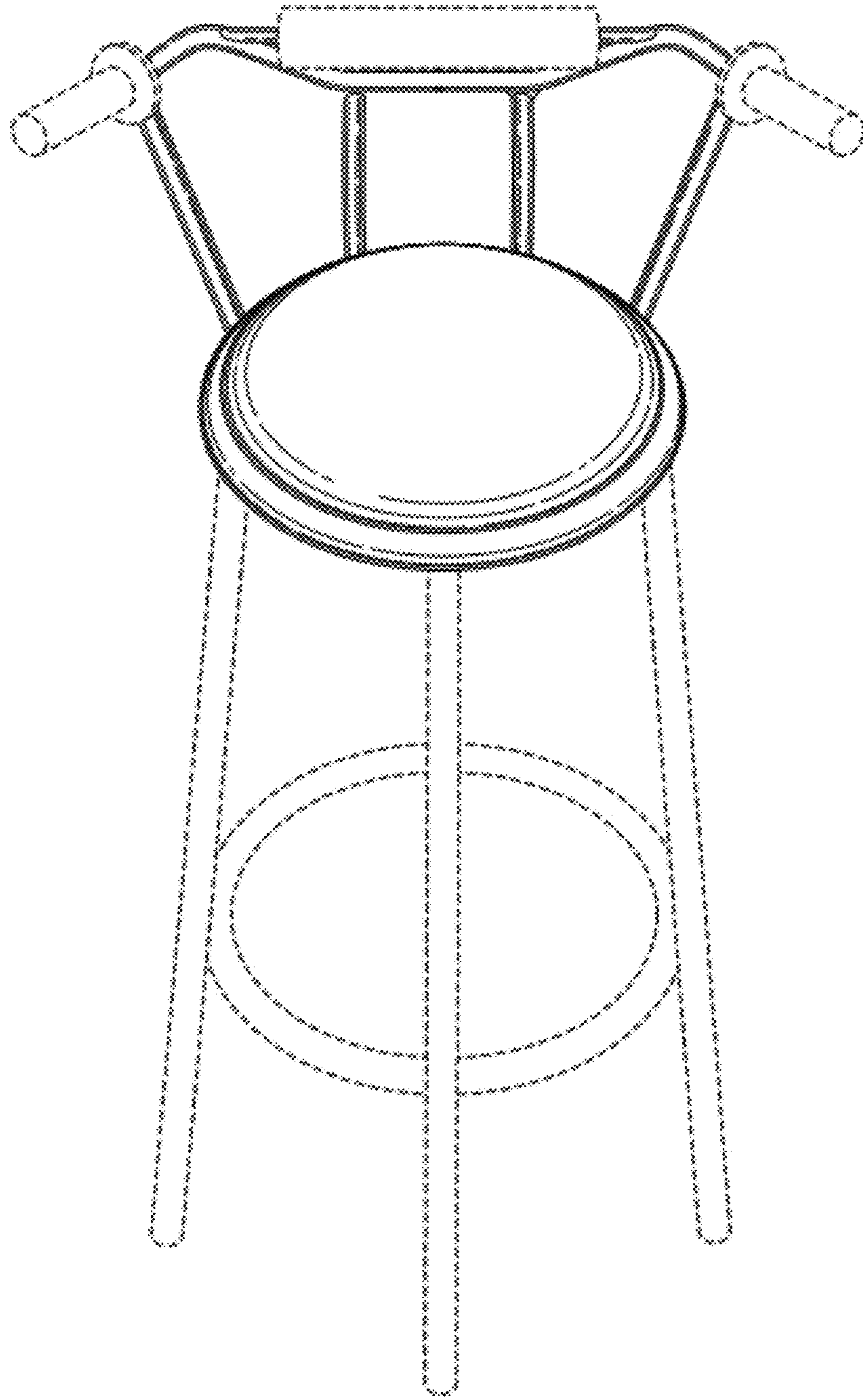


FIG. 1

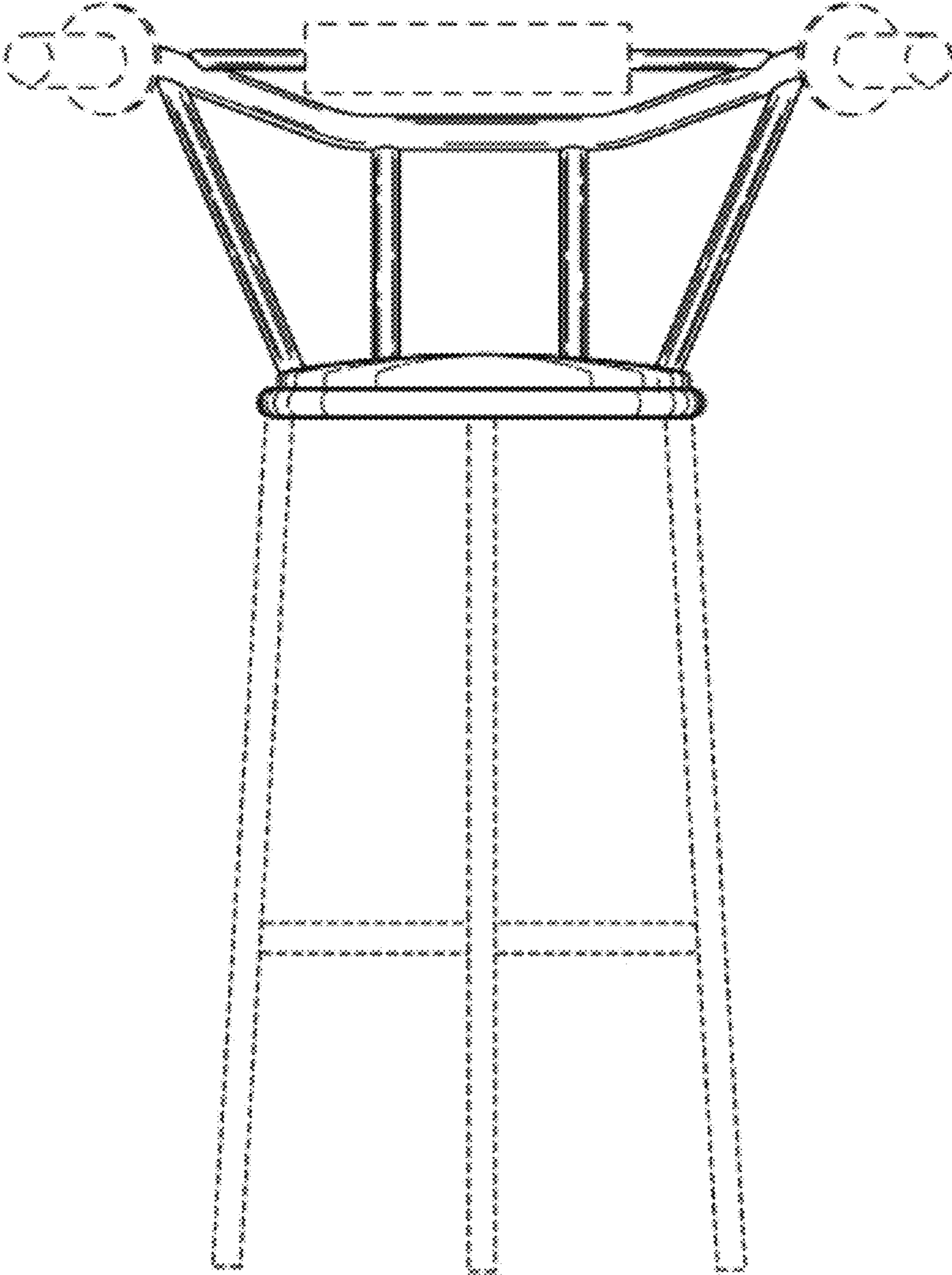


FIG. 2

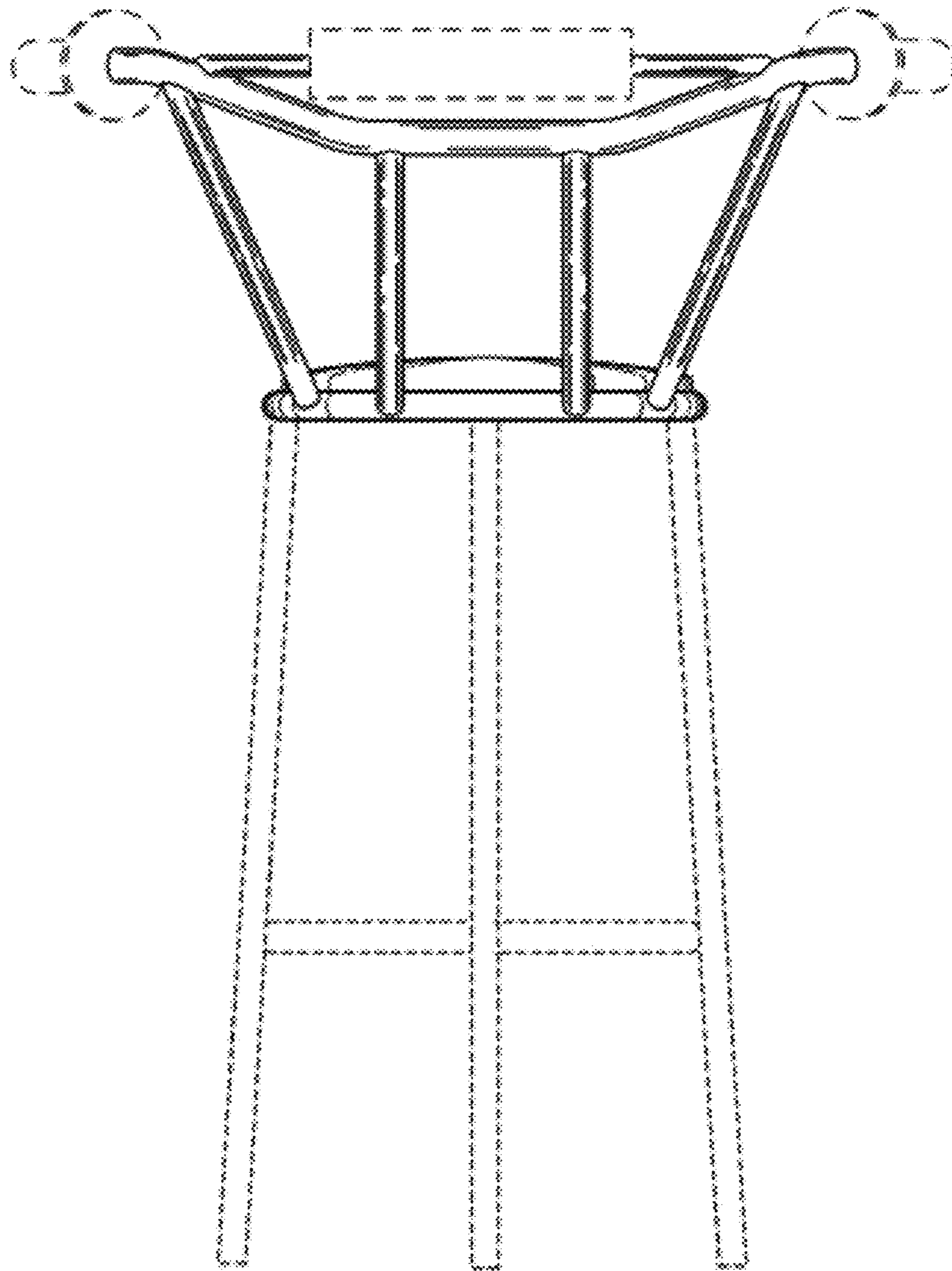


FIG. 3

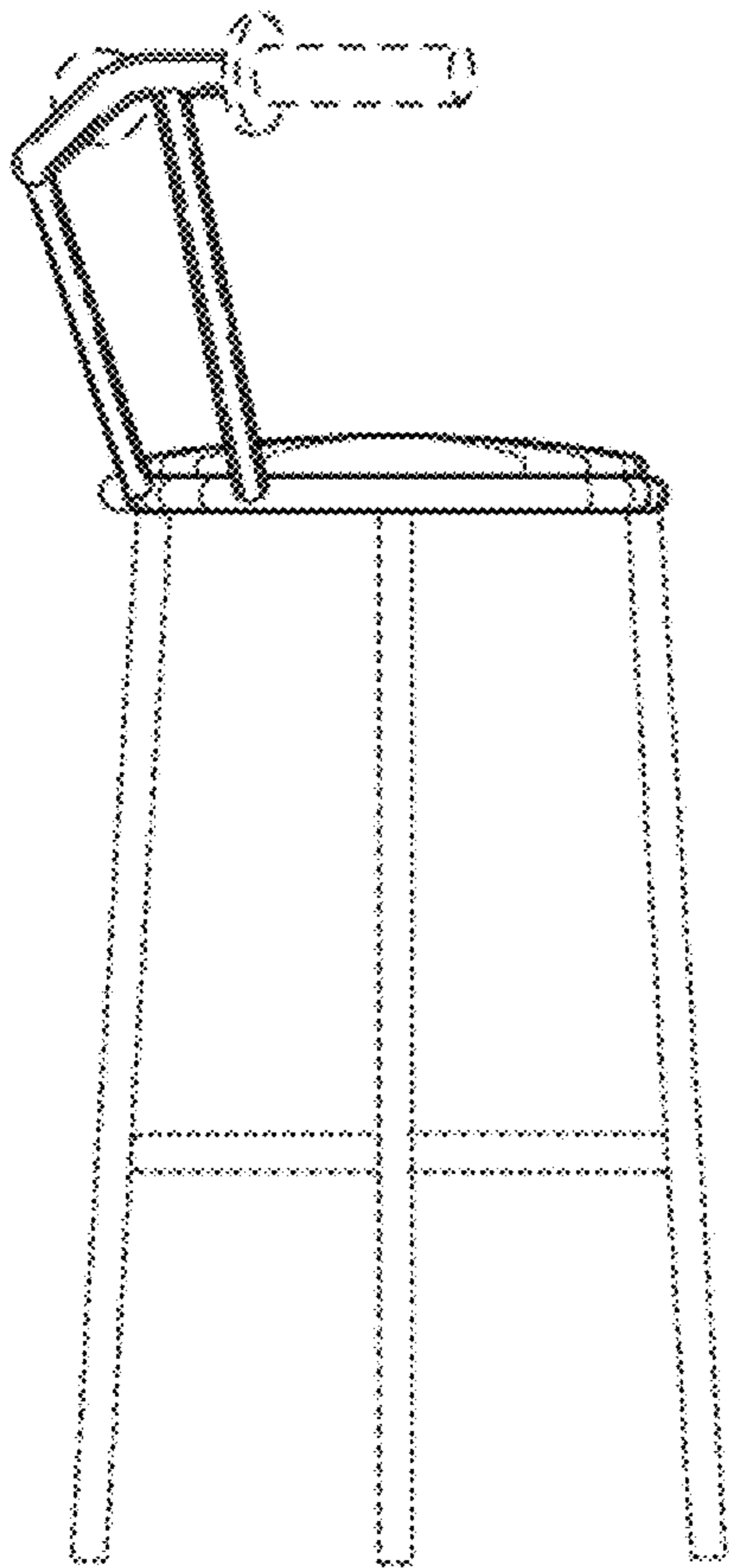


FIG. 4

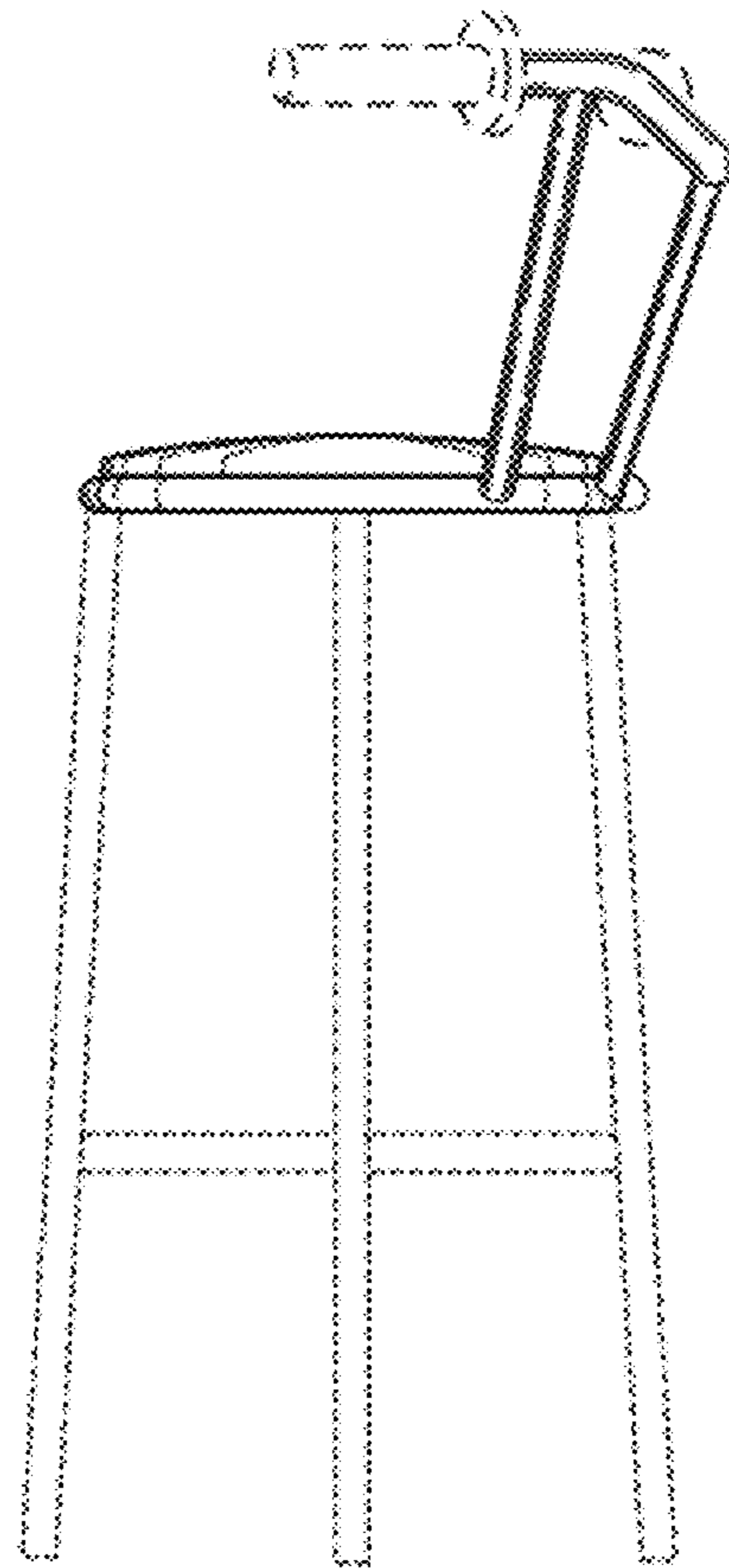


FIG. 5

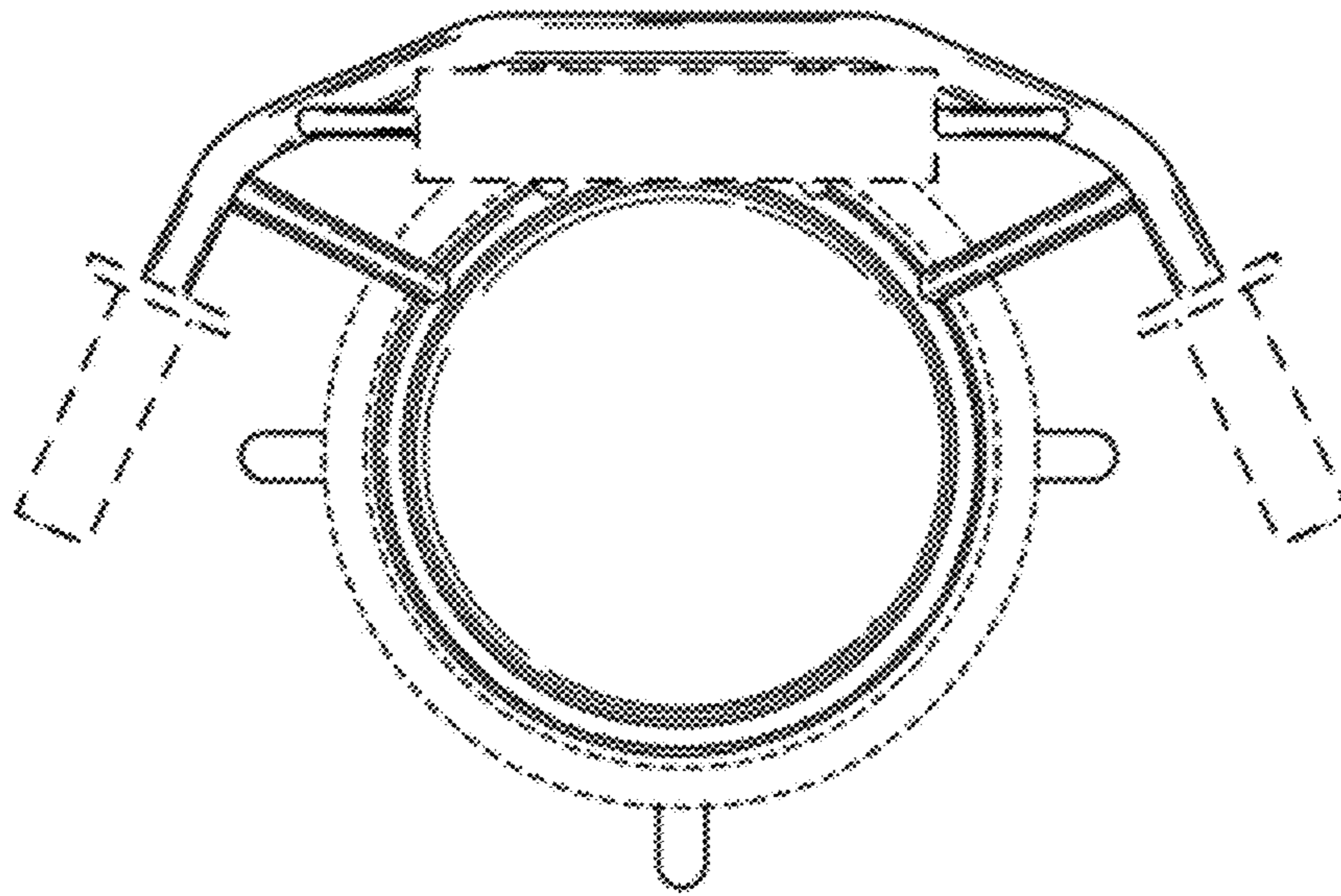


FIG. 6

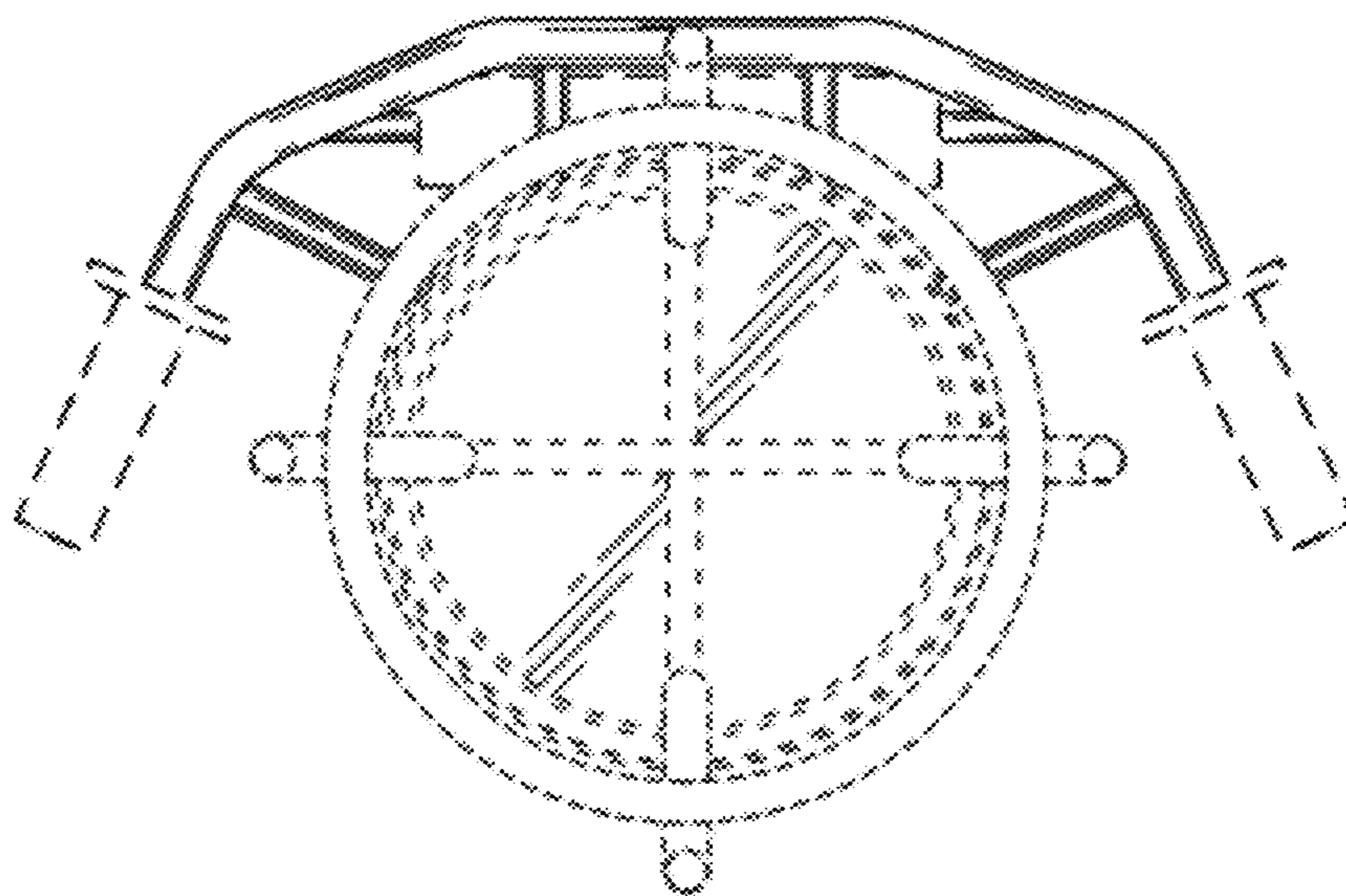


FIG. 7