



US00D677945S

(12) **United States Design Patent**  
**Boda et al.**

(10) **Patent No.:** **US D677,945 S**  
(45) **Date of Patent:** **\*\* Mar. 19, 2013**

(54) **TABLE**

(76) Inventors: **Zoltan Boda**, Bronx, NY (US); **Alfred Kraker**, Redondo Beach, CA (US); **Richard Simek**, Bronx, NY (US)

(\*\*) Term: **14 Years**

(21) Appl. No.: **29/402,457**

(22) Filed: **Sep. 23, 2011**

(51) **LOC (9) Cl.** ..... **06-03**

(52) **U.S. Cl.** ..... **D6/480**

(58) **Field of Classification Search** ..... D6/480-489,  
D6/495-499, 442; 108/153.1, 155, 156,  
108/157.1, 161; 248/188, 188.1, 188.8  
See application file for complete search history.

(56) **References Cited**

**U.S. PATENT DOCUMENTS**

3,049,387	A *	8/1962	Schlegel	108/166
3,871,655	A	3/1975	Zimmers et al.	
3,941,378	A	3/1976	Bagley	
D239,843	S *	5/1976	Freeman	D21/397
D291,394	S *	8/1987	Dunwell	D6/487
D506,890	S *	7/2005	McDaniel et al.	D6/495
D525,459	S *	7/2006	Stanton	D6/488

\* cited by examiner

*Primary Examiner* — Janice Seeger

(74) *Attorney, Agent, or Firm* — Michael J. Feigin, Esq.;  
Feigin & Associates, LLC

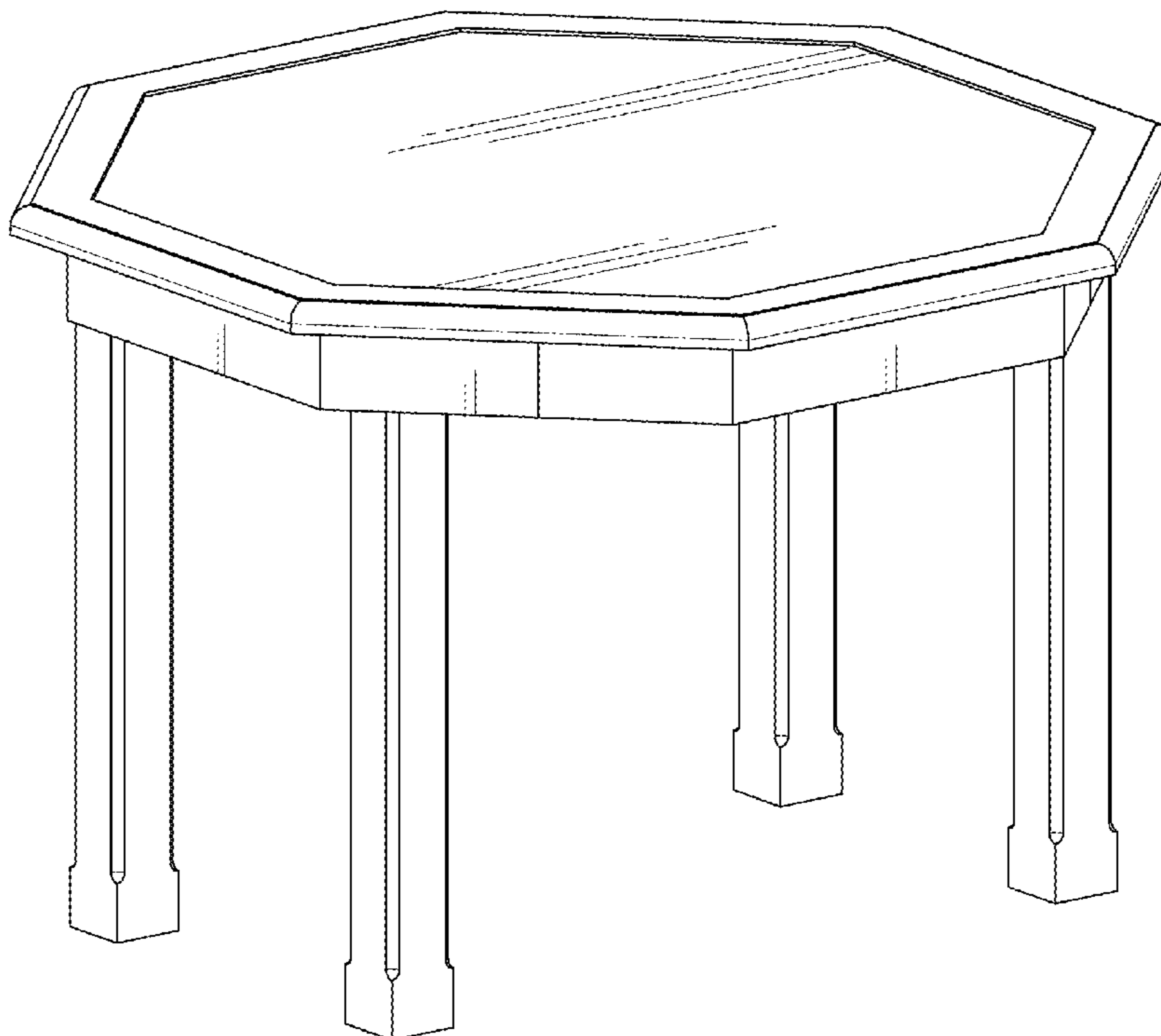
(57) **CLAIM**

The ornamental design for a table, as shown and described.

**DESCRIPTION**

FIG. 1 is a front perspective view of a table, showing our new design;  
FIG. 2 is a front perspective view, showing the drawer in open condition;  
FIG. 3 is a top plan view;  
FIG. 4 is a bottom plan view;  
FIG. 5 is a front elevational view;  
FIG. 6 is a rear elevational view;  
FIG. 7 is a left side elevational view; and,  
FIG. 8 is a right side elevational view thereof.  
The broken lines are for environmental purposes only and form no part of the claimed design.

**1 Claim, 8 Drawing Sheets**



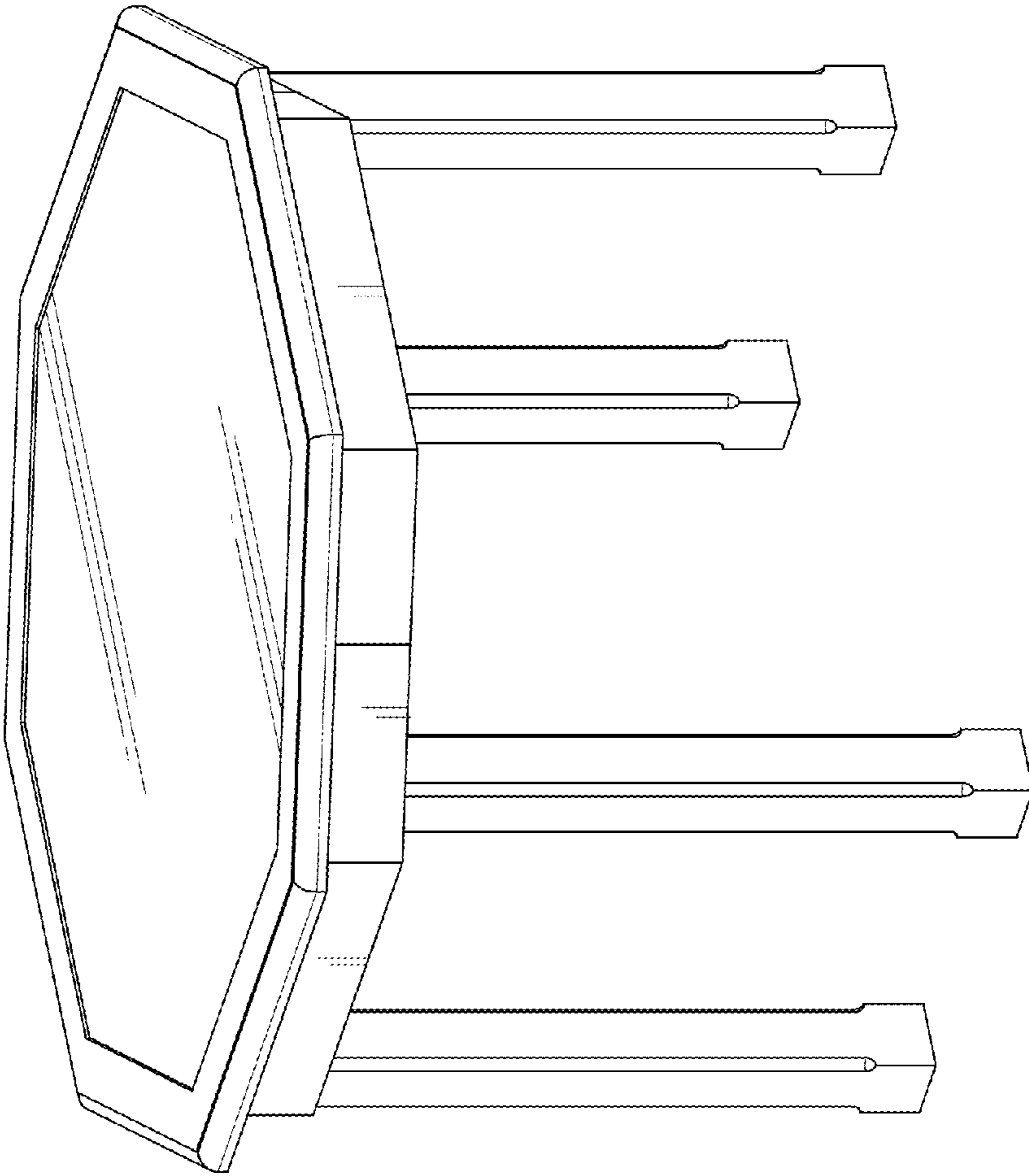


FIG. 1

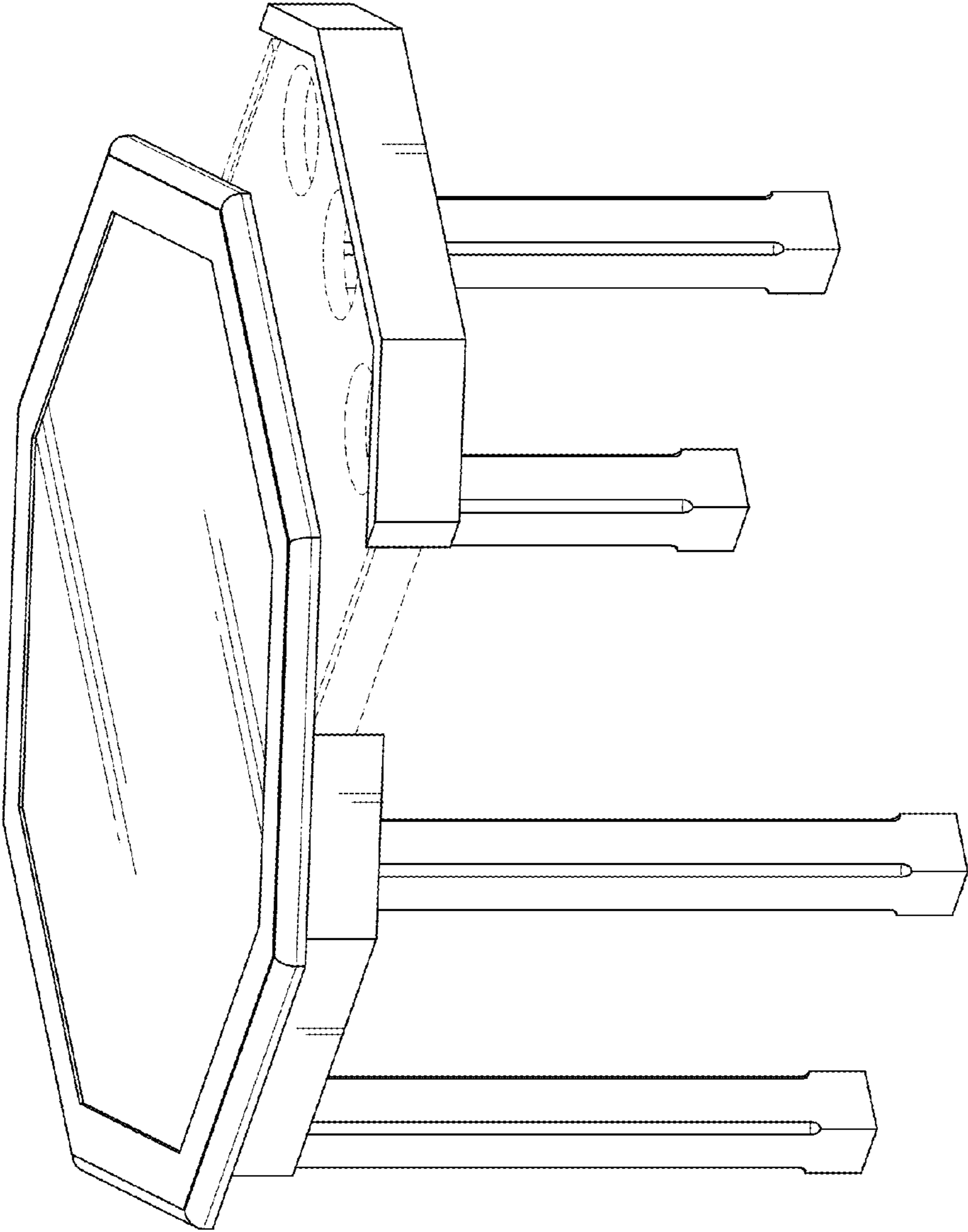


FIG. 2

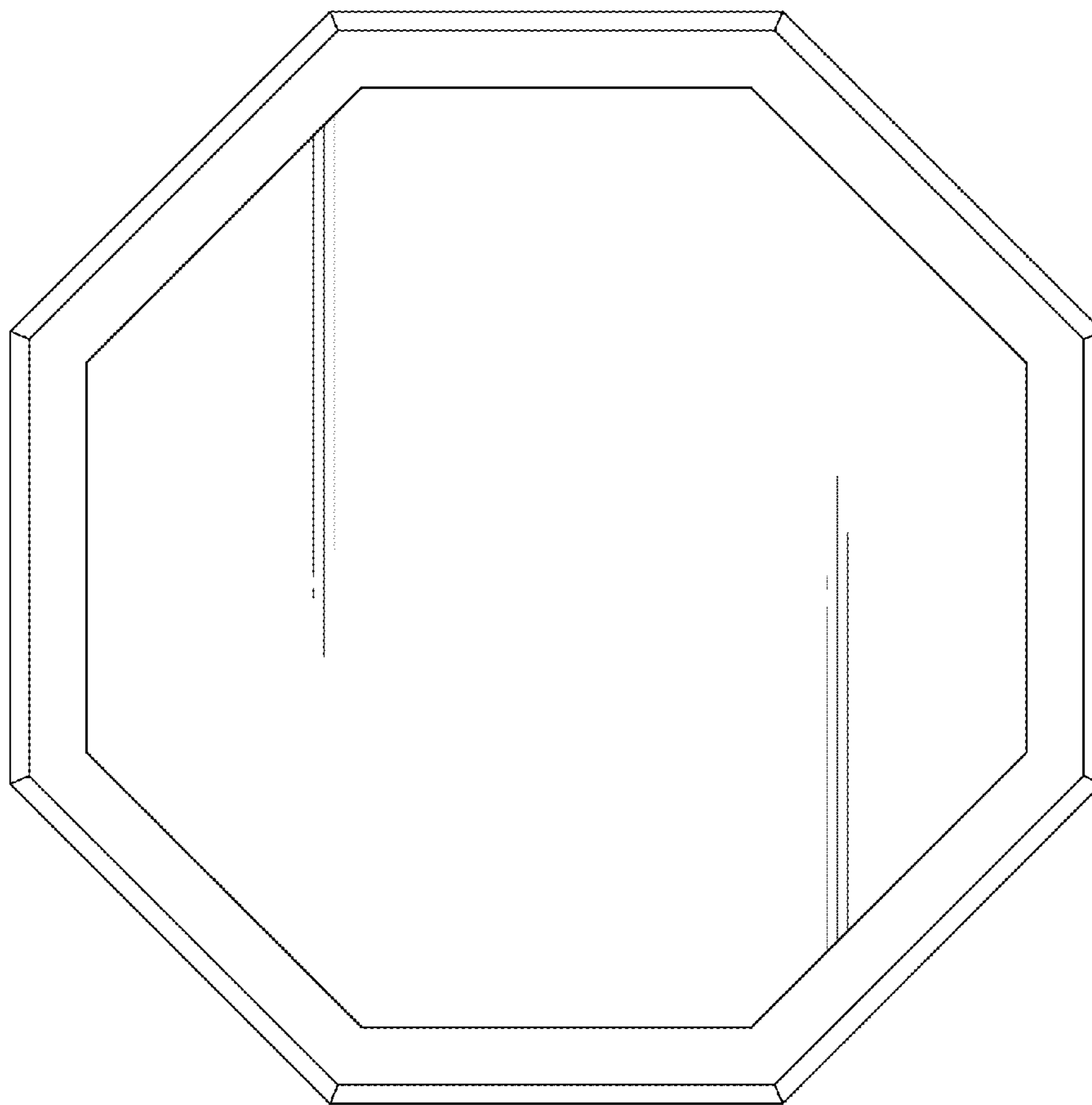


FIG. 3

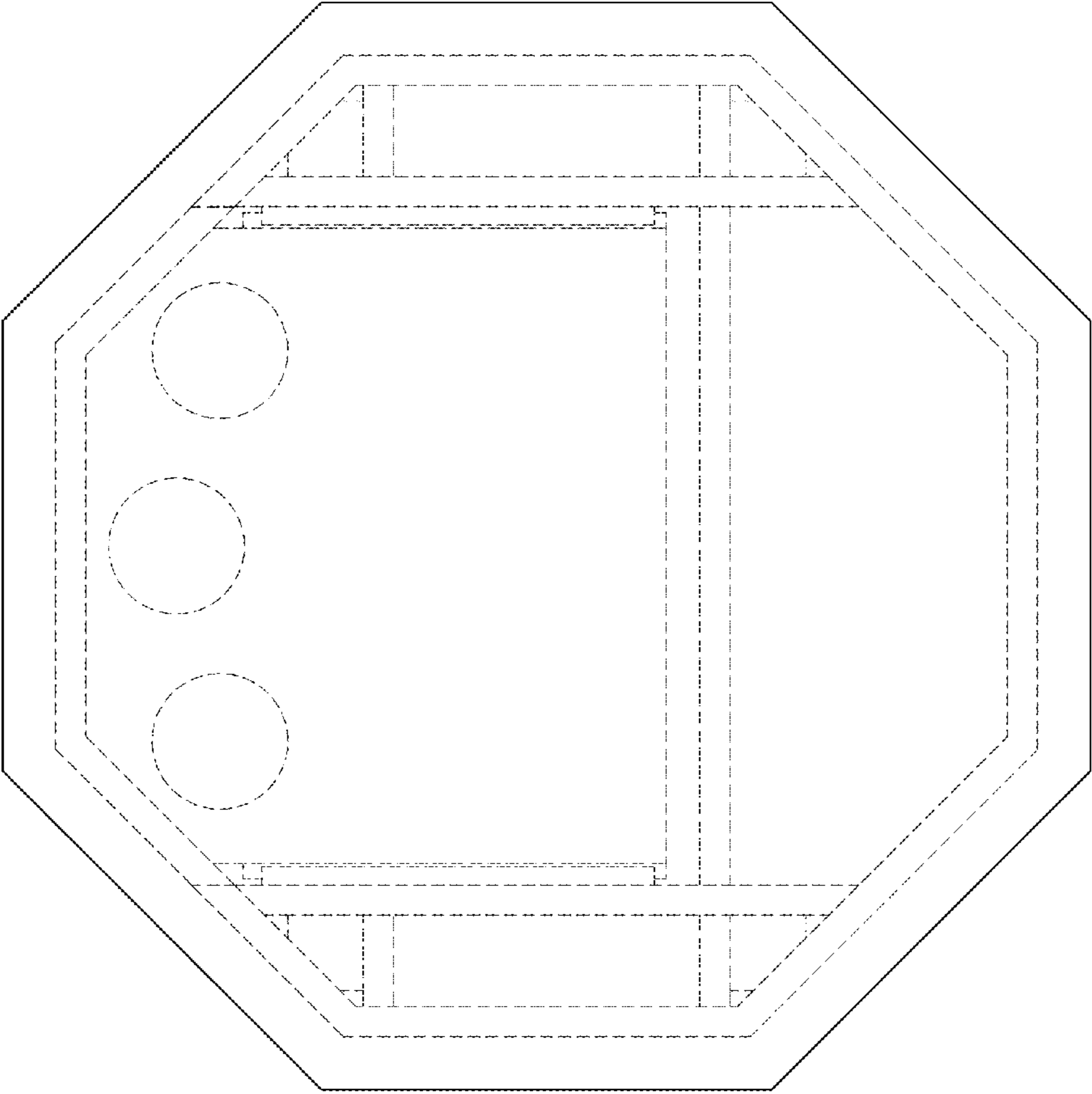


FIG. 4

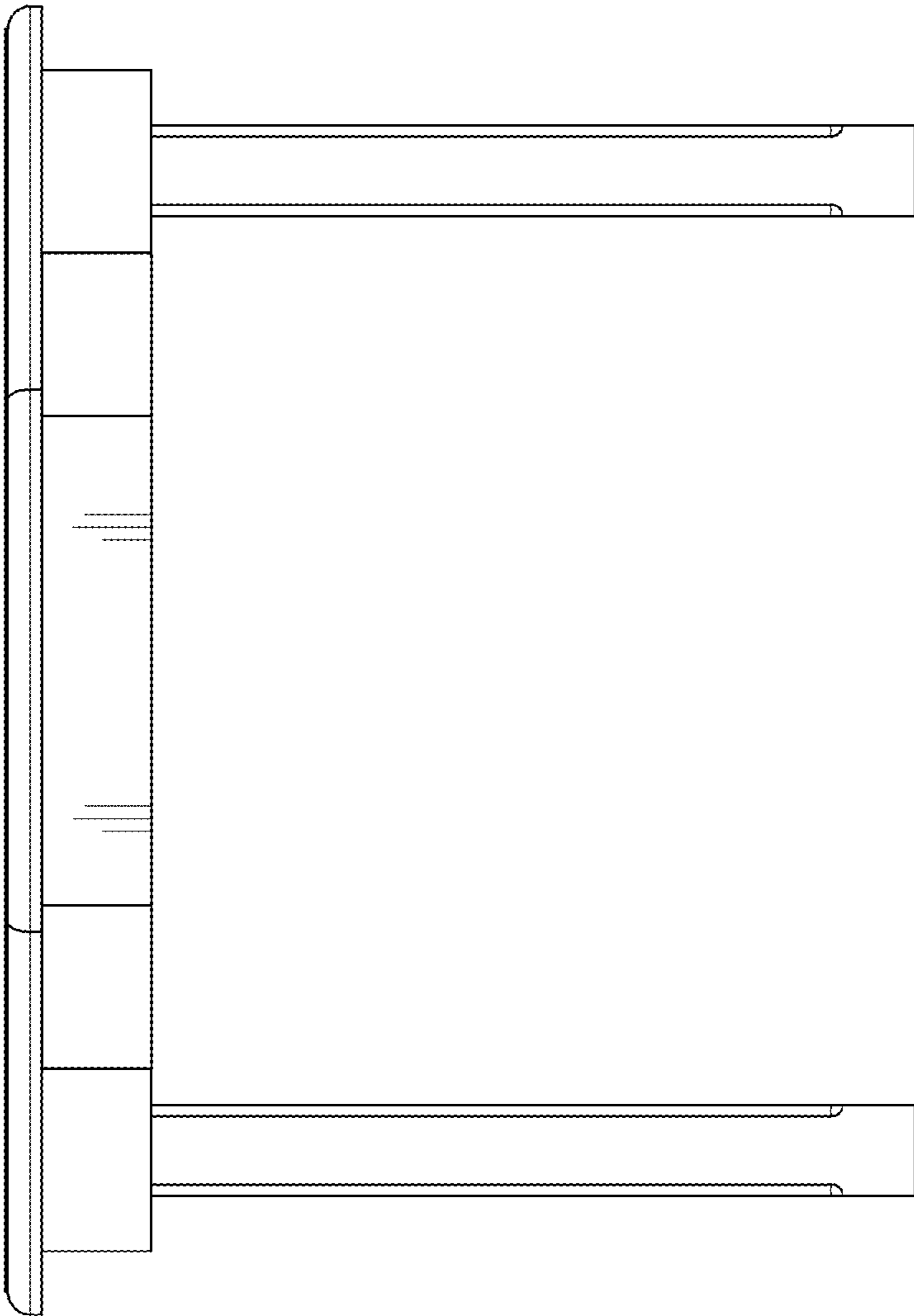


FIG. 5

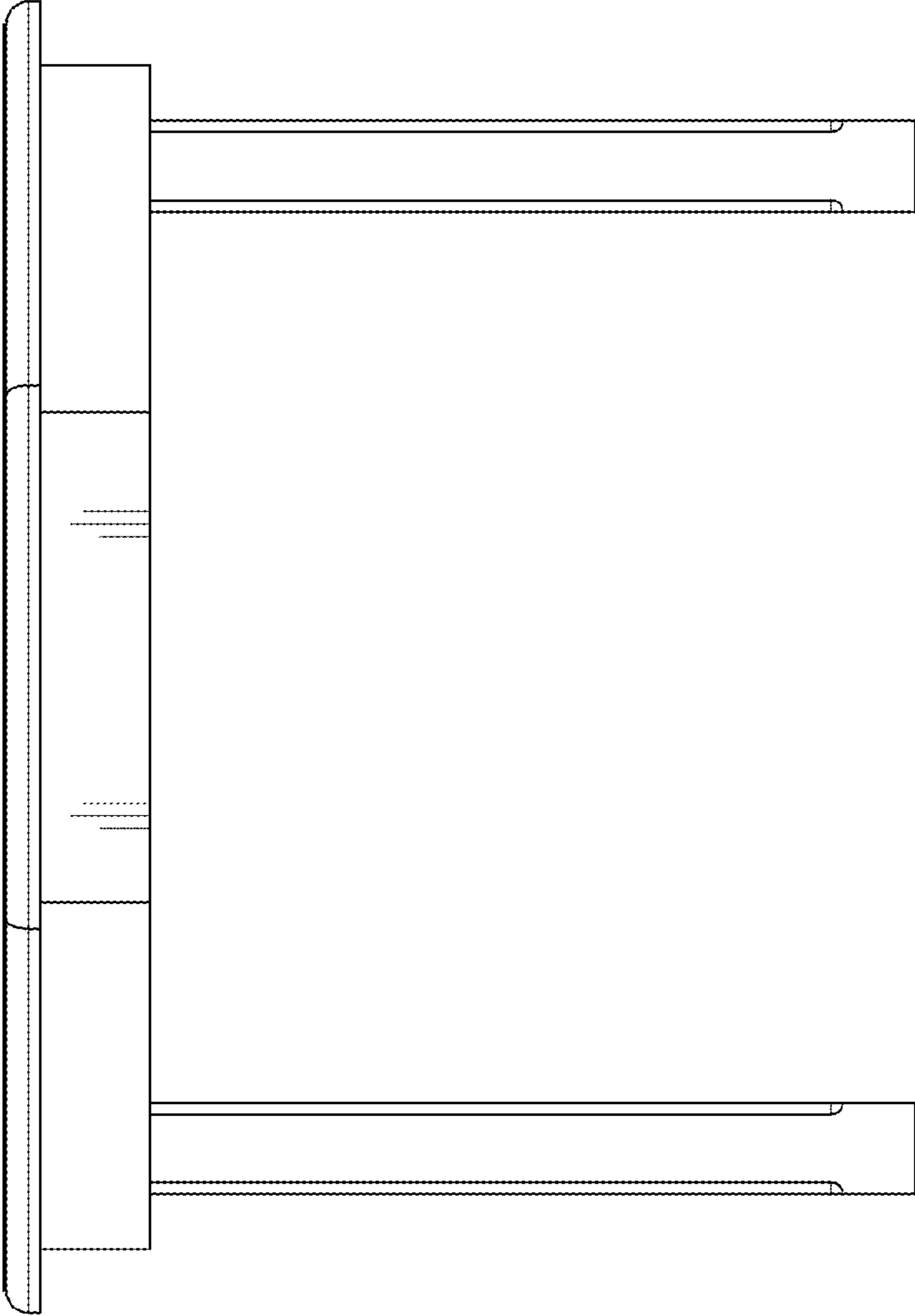


FIG. 6

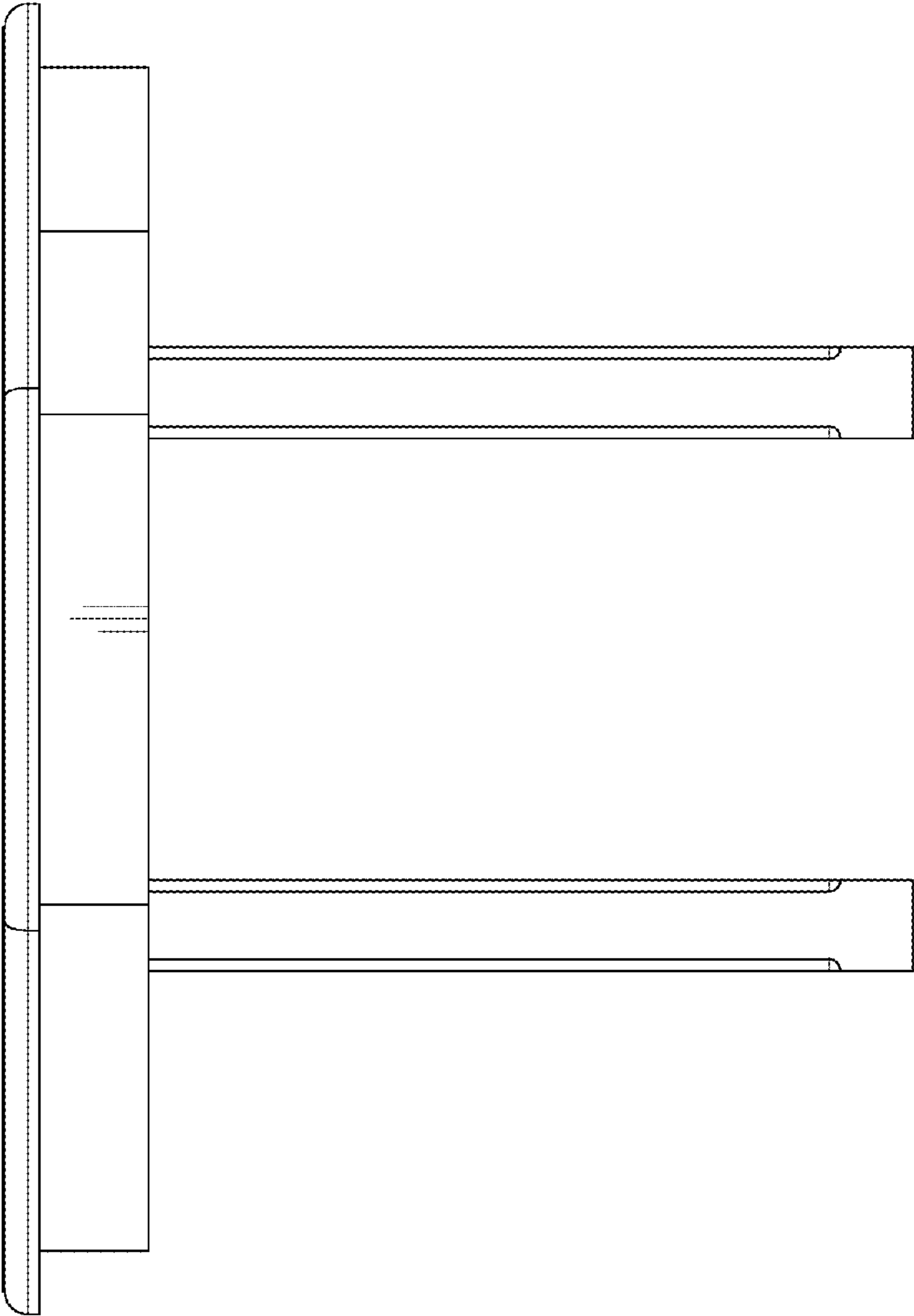


FIG. 7



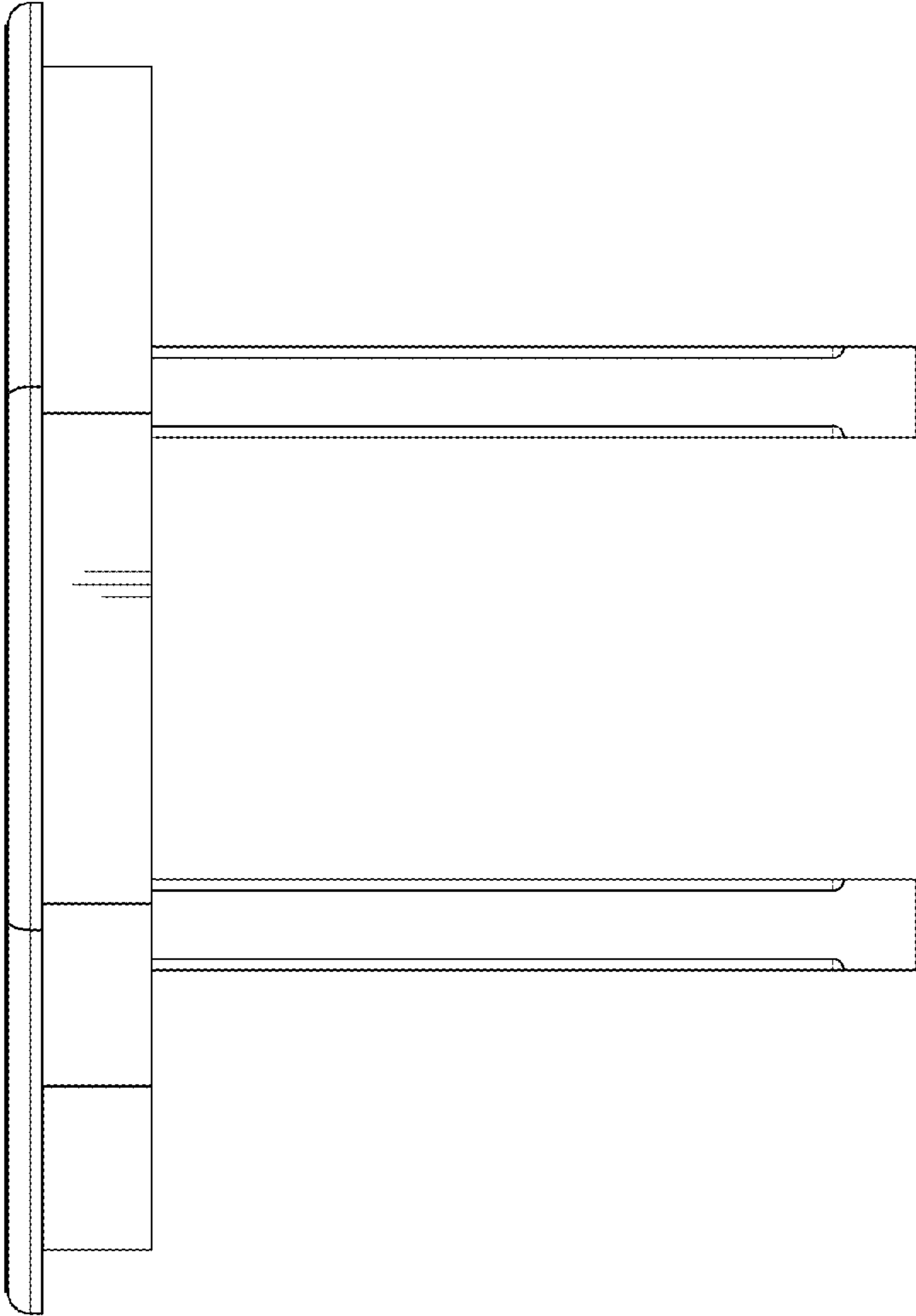


FIG. 8