



US00D677943S

(12) **United States Design Patent**
Mendoza

(10) **Patent No.:** **US D677,943 S**
(45) **Date of Patent:** **** Mar. 19, 2013**

(54) **SHELF**

(71) Applicant: **Santiago Zumaya Mendoza**, Tijuana
(MX)

(72) Inventor: **Santiago Zumaya Mendoza**, Tijuana
(MX)

(73) Assignee: **Santiago Zumaya Mendoza**, Tijuana
(MX)

(**) Term: **14 Years**

(21) Appl. No.: **29/433,007**

(22) Filed: **Sep. 24, 2012**

(30) **Foreign Application Priority Data**

Mar. 23, 2012 (MX) MX/F/2012/001044

(51) **LOC (9) Cl.** **06-06**

(52) **U.S. Cl.** **D6/479**

(58) **Field of Classification Search** D6/449,
D6/473, 478-479, 511; 108/59-60, 91-93;
211/36, 42-43, 85.1-85.2, 188; 312/107-108
See application file for complete search history.

(56) **References Cited**

U.S. PATENT DOCUMENTS

D361,453 S * 8/1995 Sussman D6/474
D401,084 S * 11/1998 Martin D6/474

D485,708 S * 1/2004 Robertson D6/474
D524,578 S * 7/2006 Stenhouse et al. D6/479
D550,984 S * 9/2007 Thompson D6/477
D560,401 S * 1/2008 Hoglan et al. D6/479
D566,426 S * 4/2008 Stenhouse et al. D6/474
D592,891 S * 5/2009 Alfonso D6/479
D620,284 S * 7/2010 Zambelli D6/477
D638,639 S * 5/2011 Ma D6/449
D655,948 S * 3/2012 Dardashti et al. D6/478

* cited by examiner

Primary Examiner — Kelley Donnelly

(74) *Attorney, Agent, or Firm* — ARC IP Law, PC; Joseph J. Mayo

(57) **CLAIM**

The ornamental design for a shelf, as shown and described.

DESCRIPTION

FIG. 1 is a left upper perspective view of a shelf.
FIG. 2 is a right lower perspective view of the shelf of FIG. 1.
FIG. 3 is a front view of the shelf of FIG. 1.
FIG. 4 is a rear view of the shelf of FIG. 1.
FIG. 5 is a right side view of the shelf of FIG. 1.
FIG. 6 is a left side view of the shelf of FIG. 1.
FIG. 7 is a top view of the shelf of FIG. 1; and,
FIG. 8 is a bottom view of the shelf of FIG. 1.
The broken line showing is for environmental purposes only and forms no part of the claimed design.

1 Claim, 4 Drawing Sheets

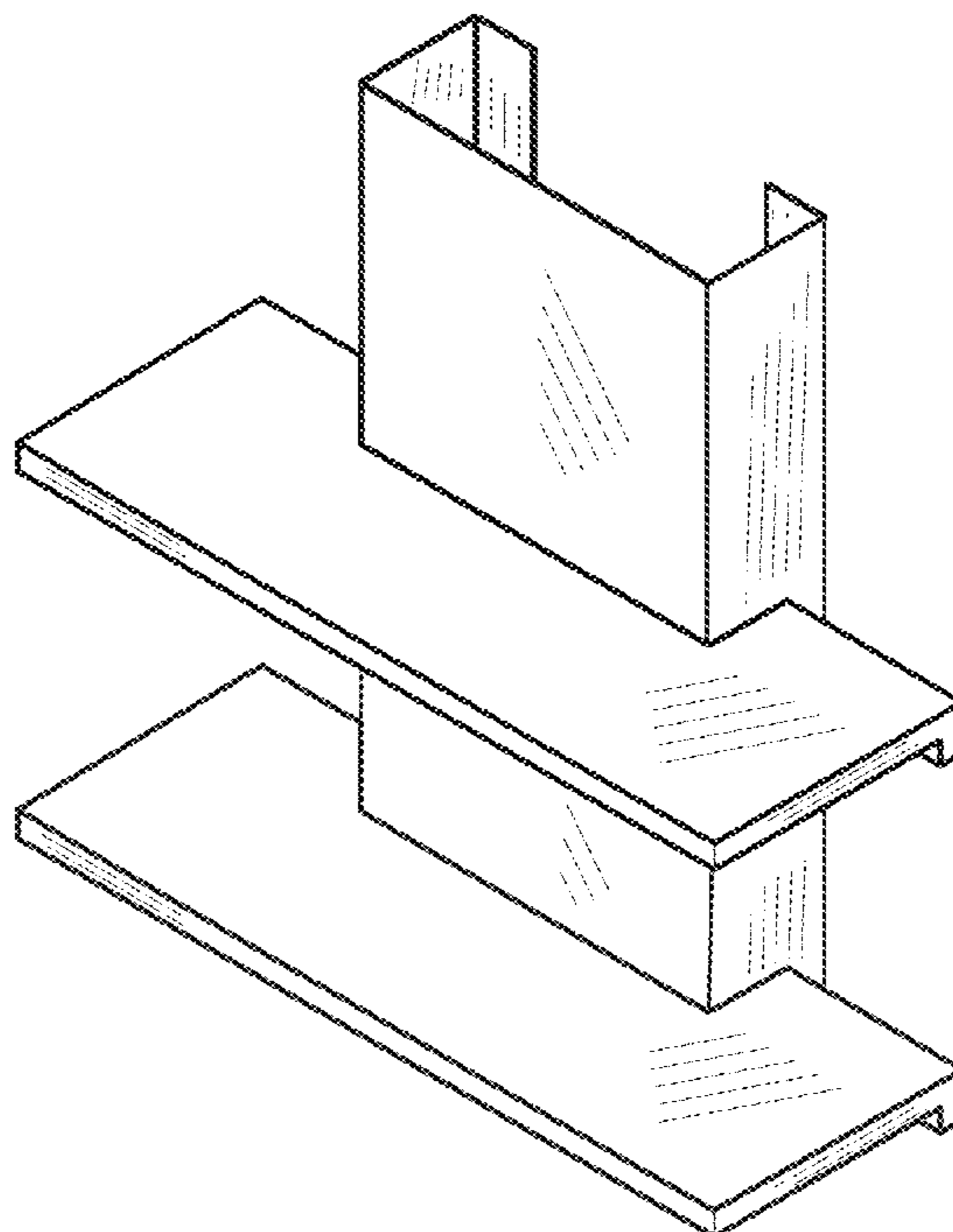


FIGURE 2

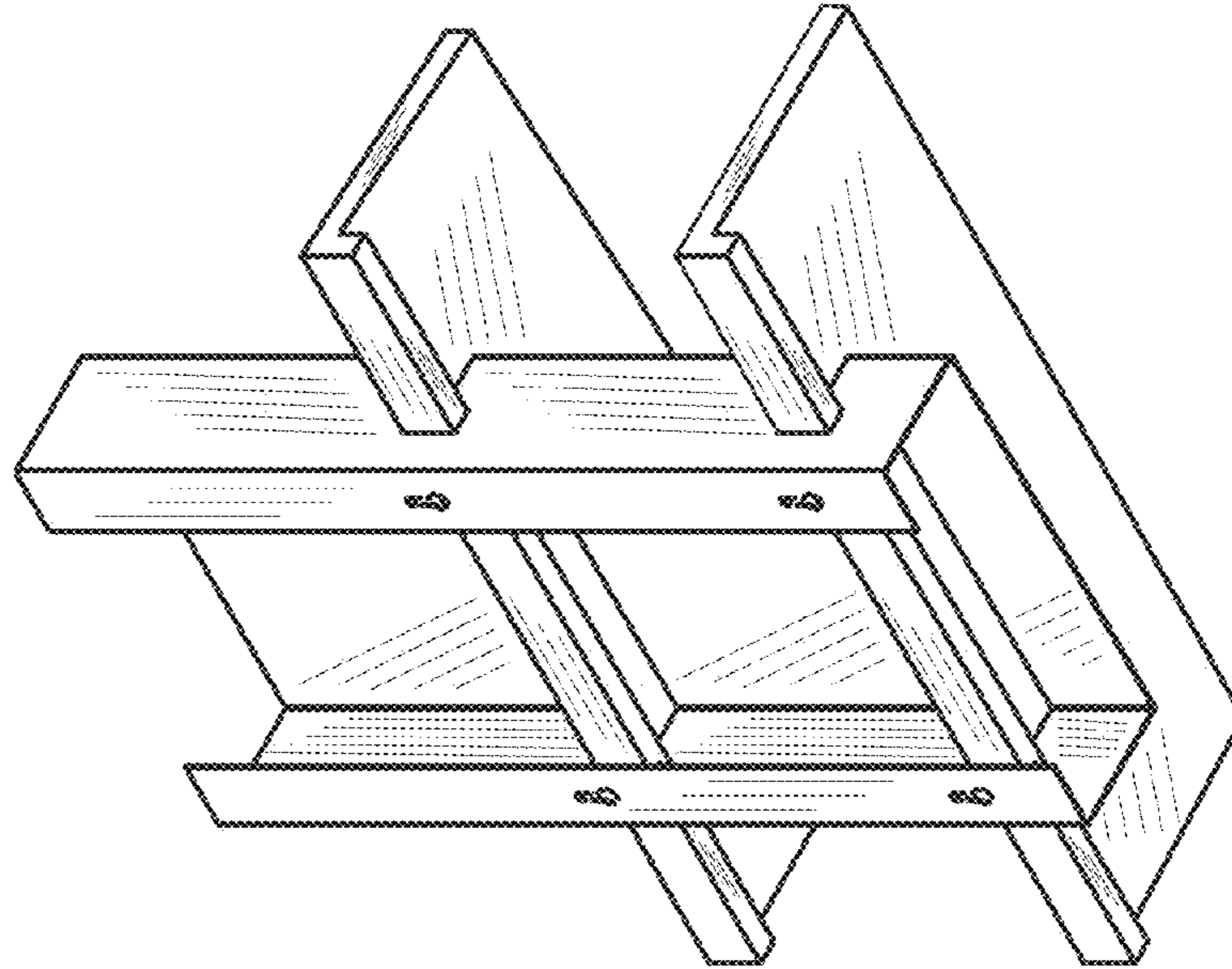


FIGURE 1

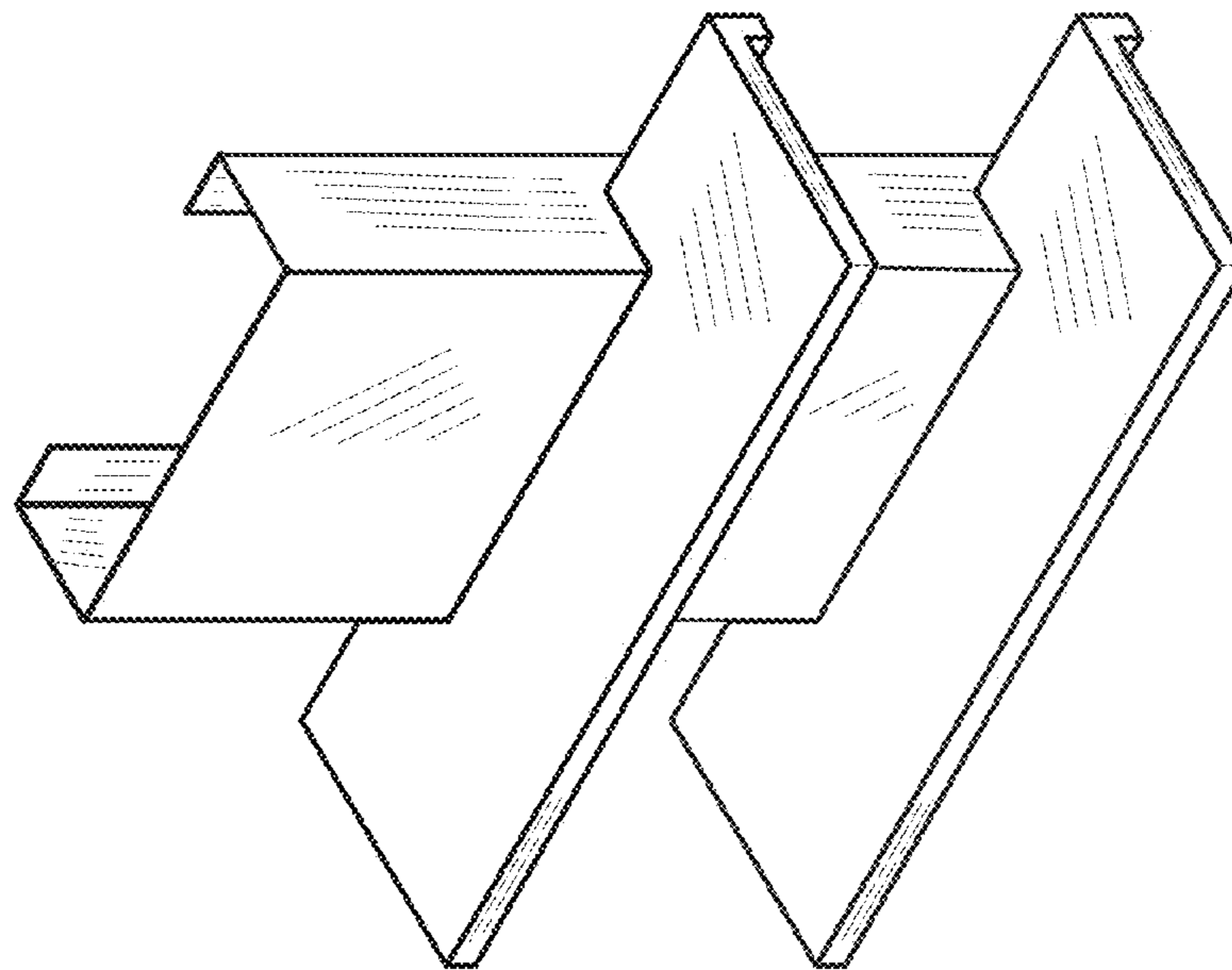


FIGURE 4

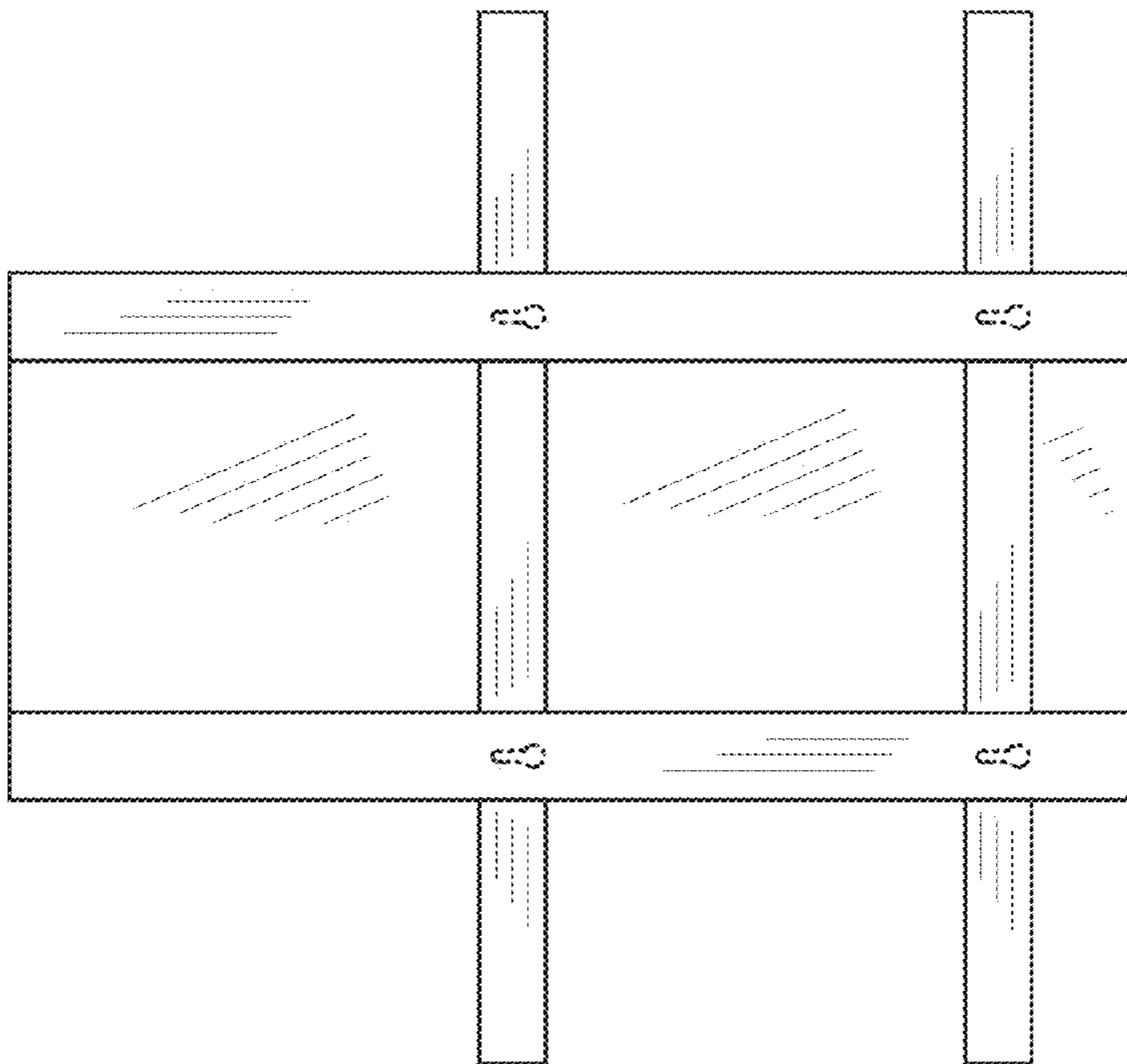


FIGURE 3

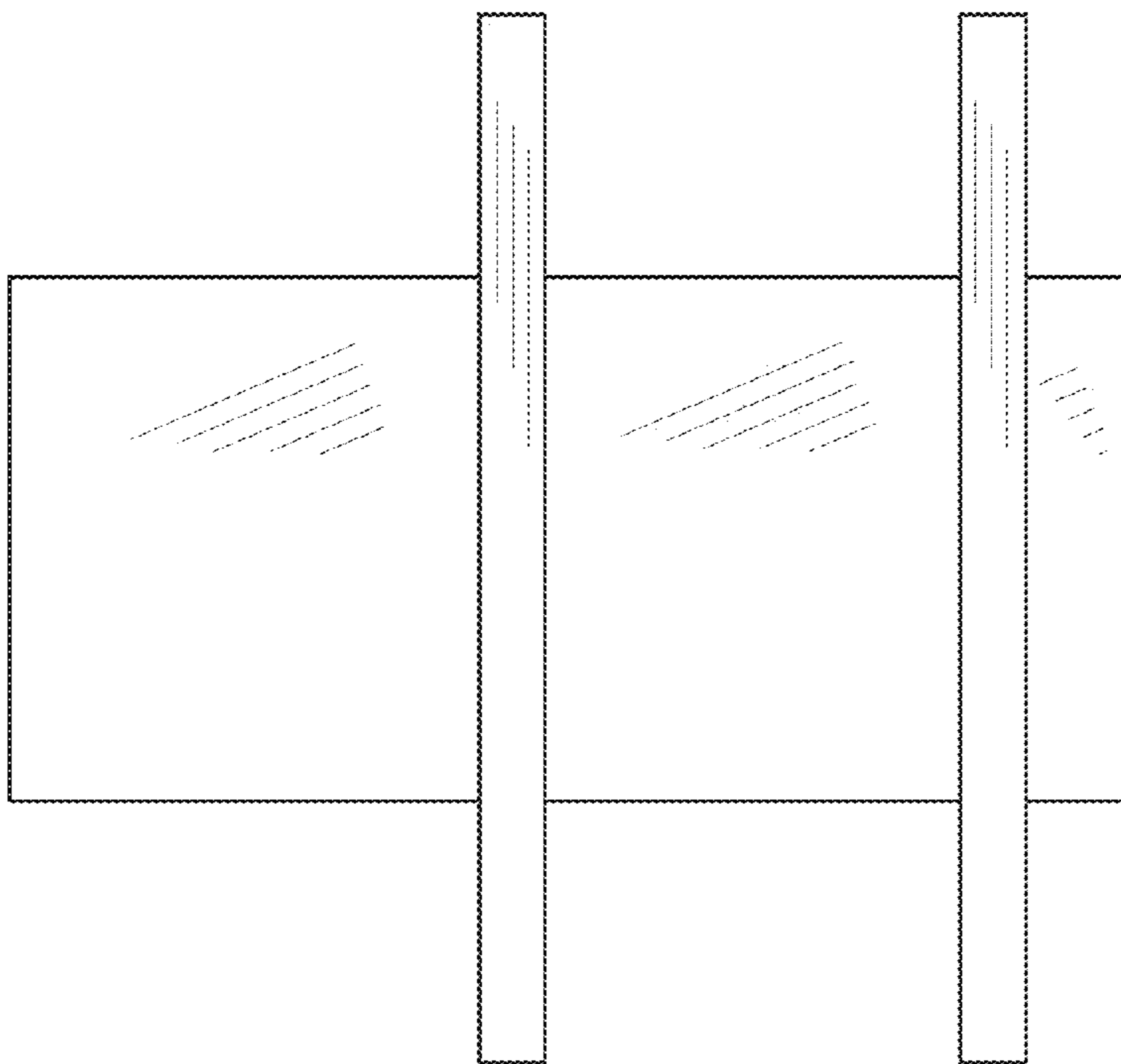


FIGURE 6

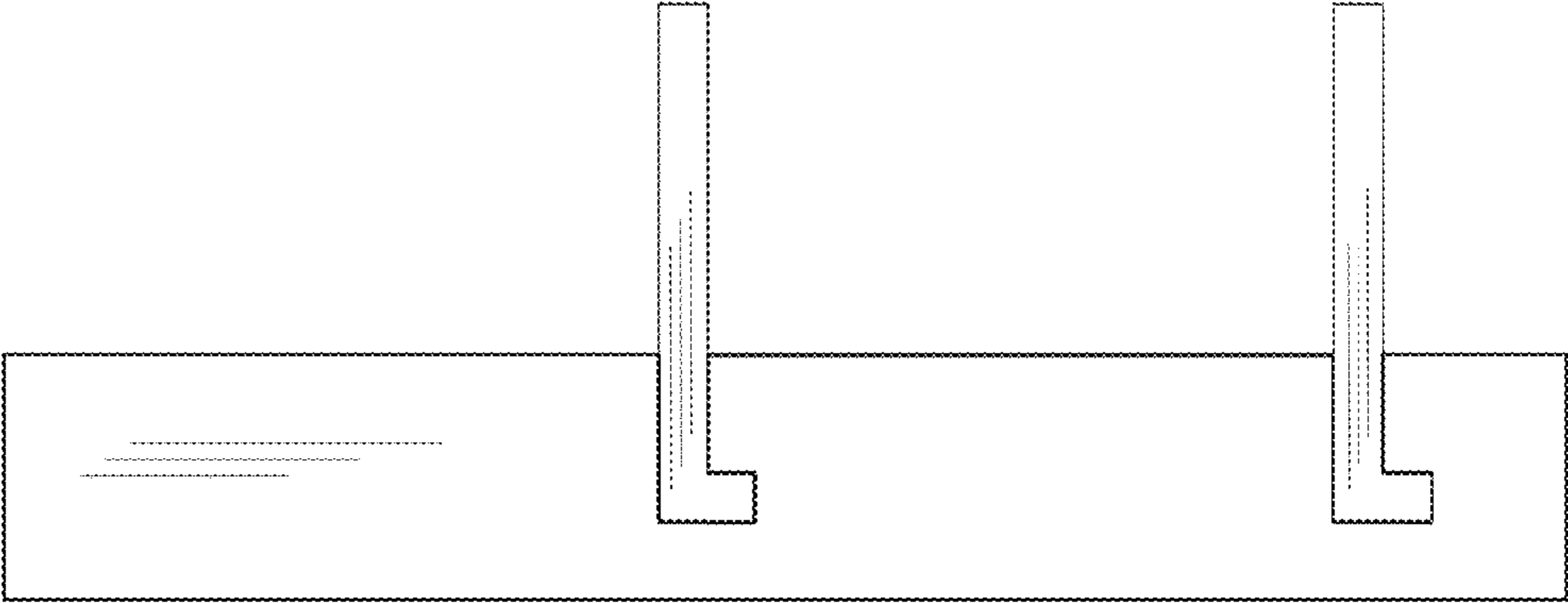


FIGURE 5

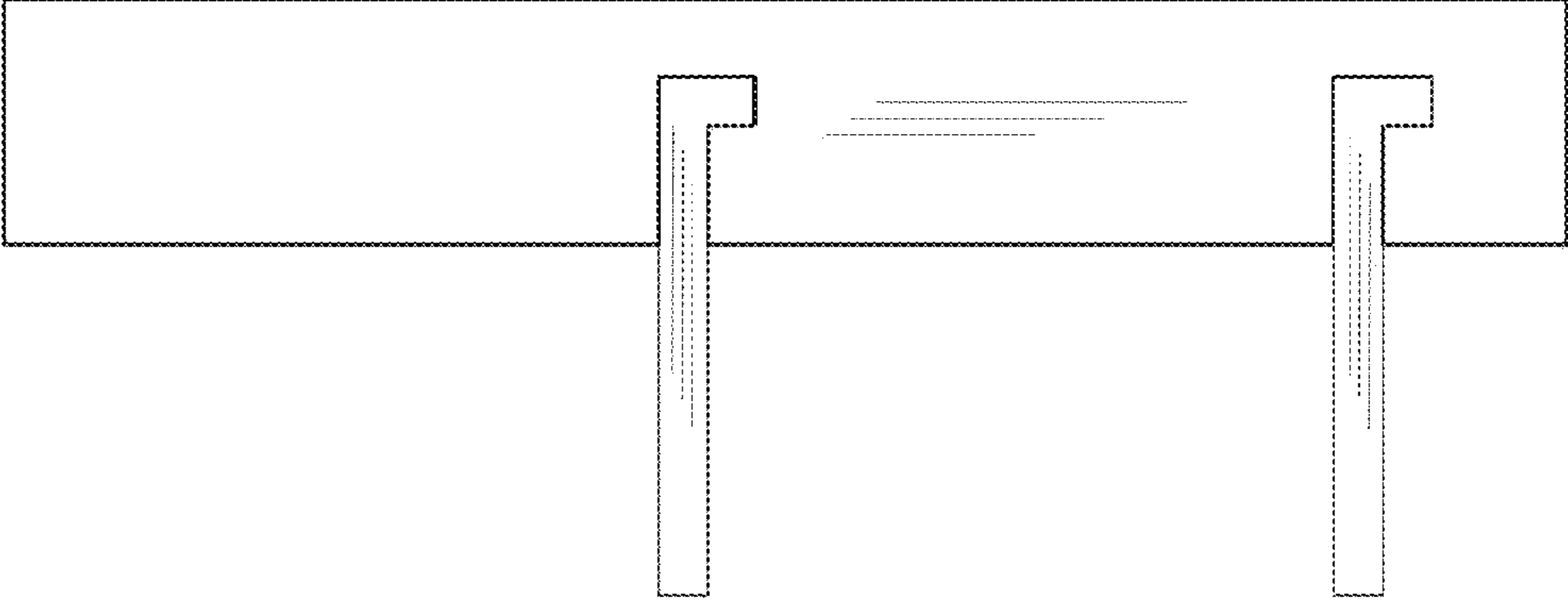


FIGURE 7

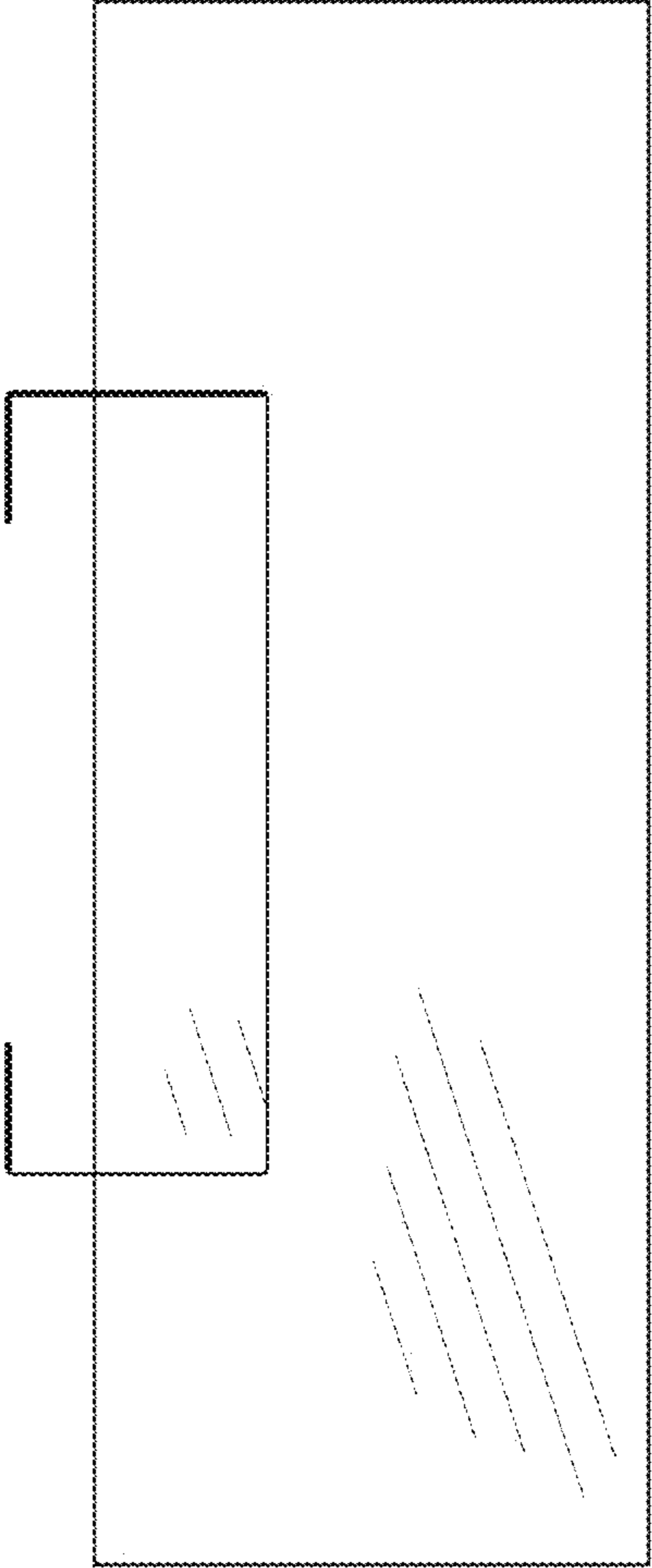


FIGURE 8

