



US00D677942S

(12) **United States Design Patent**  
**Roekens et al.**

(10) **Patent No.:** **US D677,942 S**  
(45) **Date of Patent:** **\*\* Mar. 19, 2013**

(54) **MERCHANDISER**

(75) Inventors: **Jurgen Roekens**, Kampenhout (BE);  
**Bart Carpentier**, Zoersel (BE); **Erik Van Genechten**, Geel (BE)

(73) Assignee: **The Coca-Cola Company**, Atlanta, GA (US)

(\*\*) Term: **14 Years**

(21) Appl. No.: **29/423,505**

(22) Filed: **Jun. 1, 2012**

(51) **LOC (9) Cl.** ..... **06-06**

(52) **U.S. Cl.** ..... **D6/477**

(58) **Field of Classification Search** ..... D6/432-436,  
D6/470-472, 475-476, 477-479, 480-481,  
D6/513-516, 553; D7/339-341, 351; D15/79,  
D15/81-83; 206/320, 775; 312/117, 237,  
312/278-279; 219/478, 537

See application file for complete search history.

(56) **References Cited**

U.S. PATENT DOCUMENTS

D293,120	S	*	12/1987	De Prins	.....	D21/325
5,281,018	A	*	1/1994	Cullinan	.....	312/223.2
D438,403	S	*	3/2001	Greenburg	.....	D6/466
D471,188	S	*	3/2003	Dye et al.	.....	D14/305
D476,824	S	*	7/2003	Cockrell et al.	.....	D6/436

D496,054	S	*	9/2004	Flum	.....	D15/83
D501,557	S	*	2/2005	Collins et al.	.....	D24/186
7,142,417	B1	*	11/2006	Doebertin et al.	.....	312/223.1
D537,665	S	*	3/2007	Hart	.....	D6/525
D590,630	S	*	4/2009	Singler et al.	.....	D6/432
D591,074	S	*	4/2009	Powers et al.	.....	D6/406.6
D591,078	S	*	4/2009	Singler et al.	.....	D6/432
D620,284	S	*	7/2010	Zambelli	.....	D6/477
D626,776	S	*	11/2010	Voron et al.	.....	D7/307
D657,591	S	*	4/2012	Sanchez	.....	D6/479

\* cited by examiner

*Primary Examiner* — Kelley Donnelly

(74) *Attorney, Agent, or Firm* — Sutherland Asbill & Brennan LLP

(57) **CLAIM**

The ornamental design for a merchandiser, as shown and described.

**DESCRIPTION**

FIG. 1 is a perspective view of a merchandiser showing our new design;

FIG. 2 is a left side view thereof;

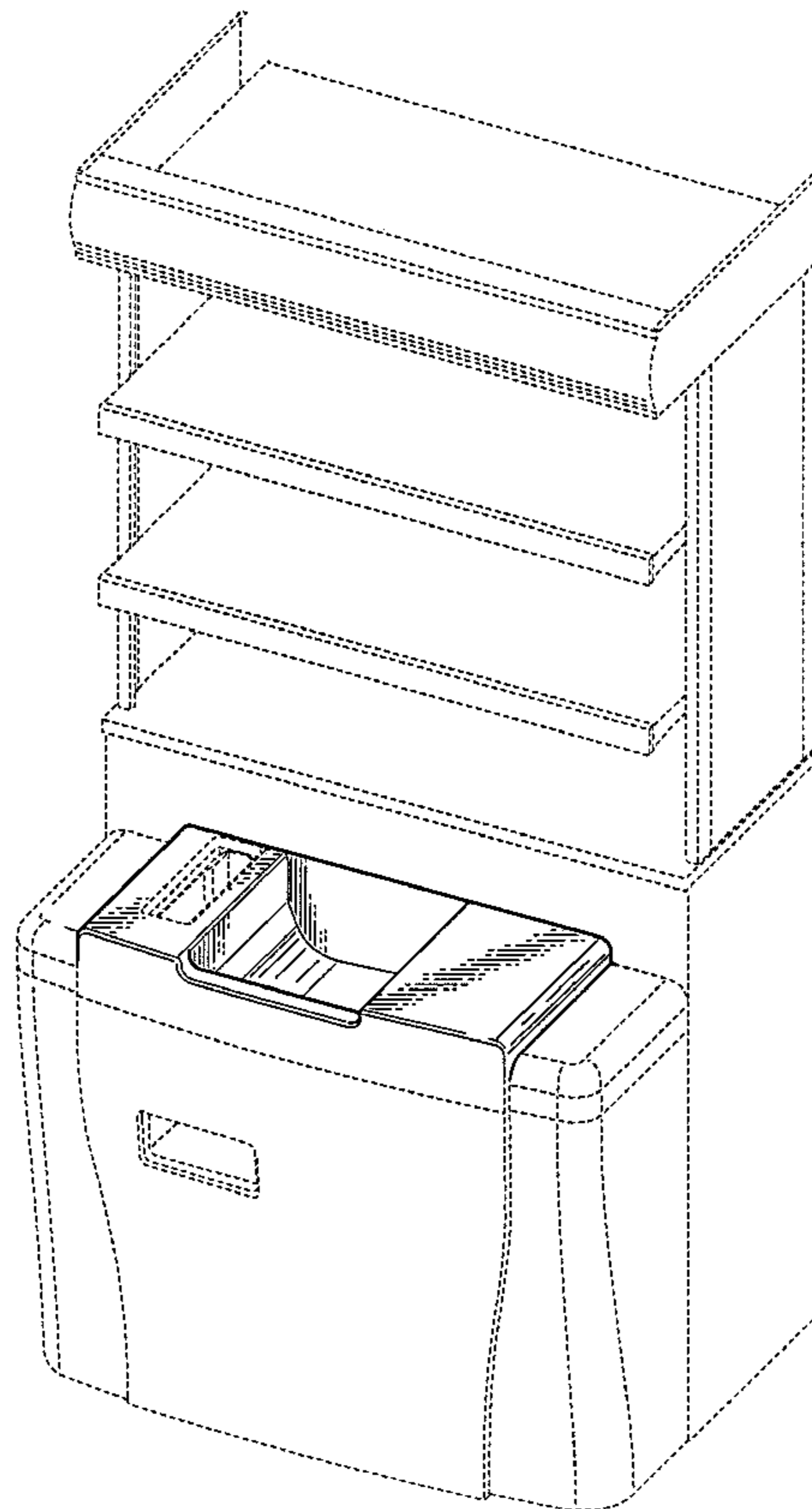
FIG. 3 is a front view thereof;

FIG. 4 is a right side view thereof; and,

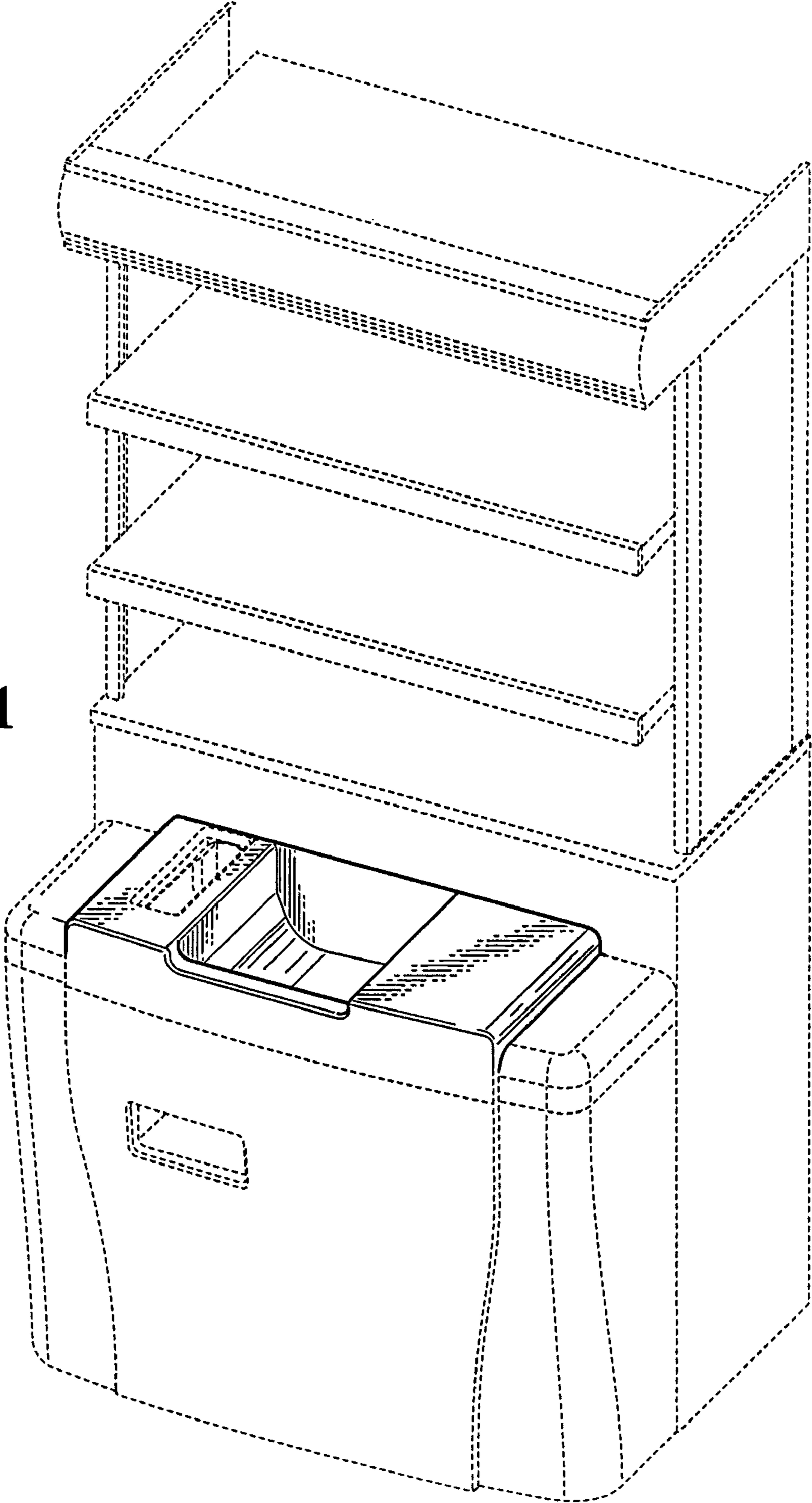
FIG. 5 is a top view thereof.

The broken line showings in FIGS. 1-5 are for the purpose of illustrating the environment of the design and form no part of the claimed design.

**1 Claim, 5 Drawing Sheets**



**FIG. 1**



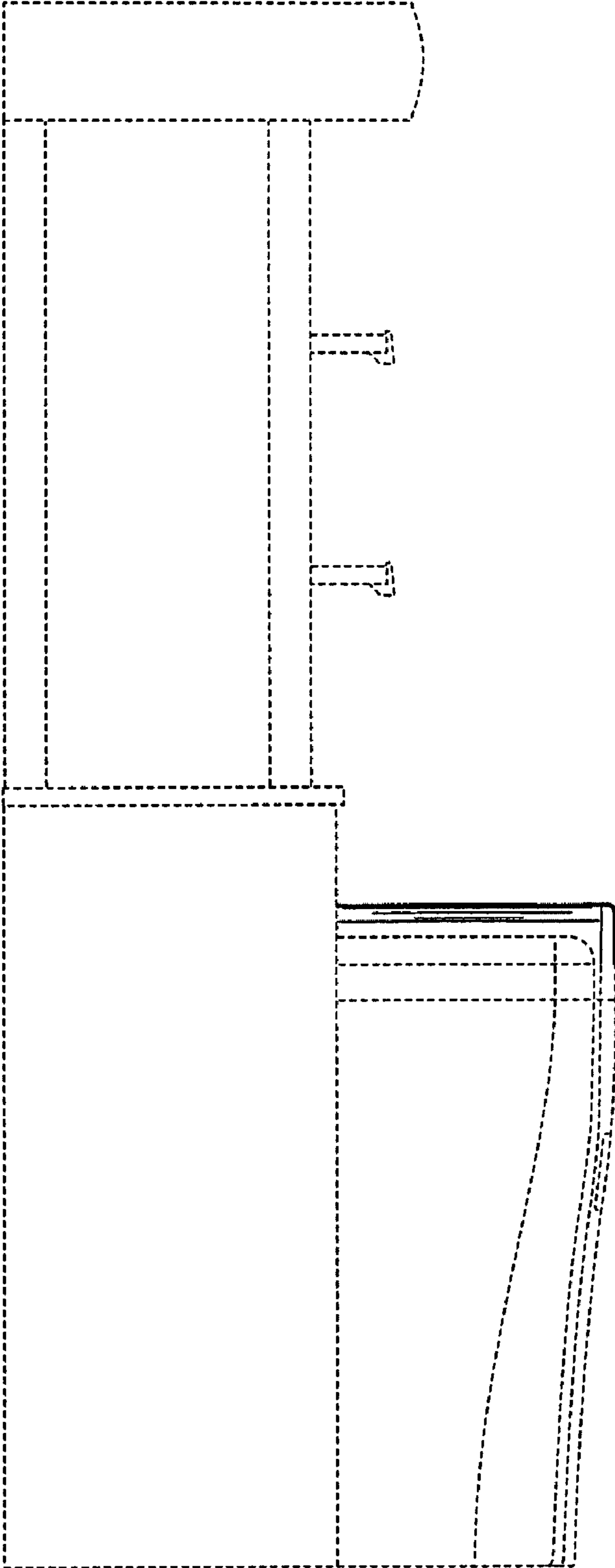
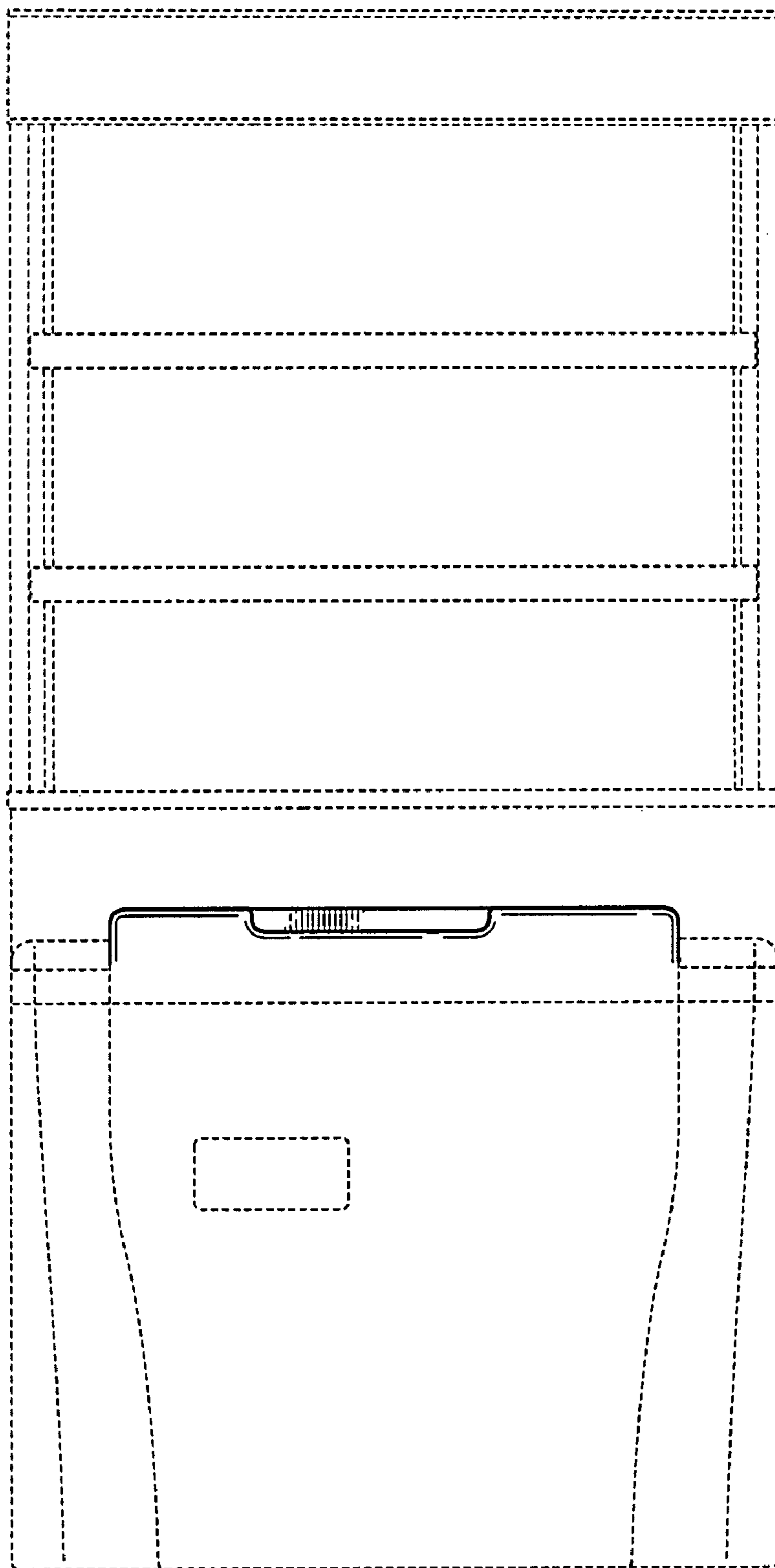
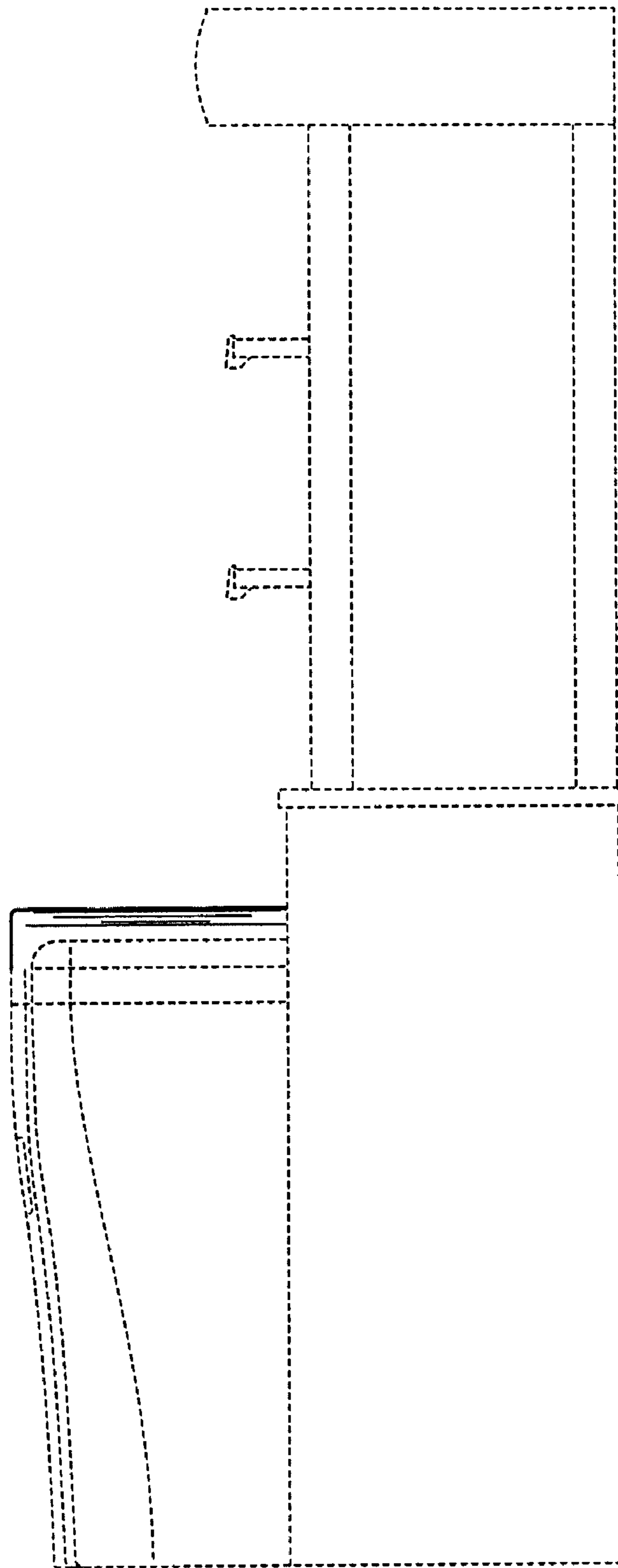


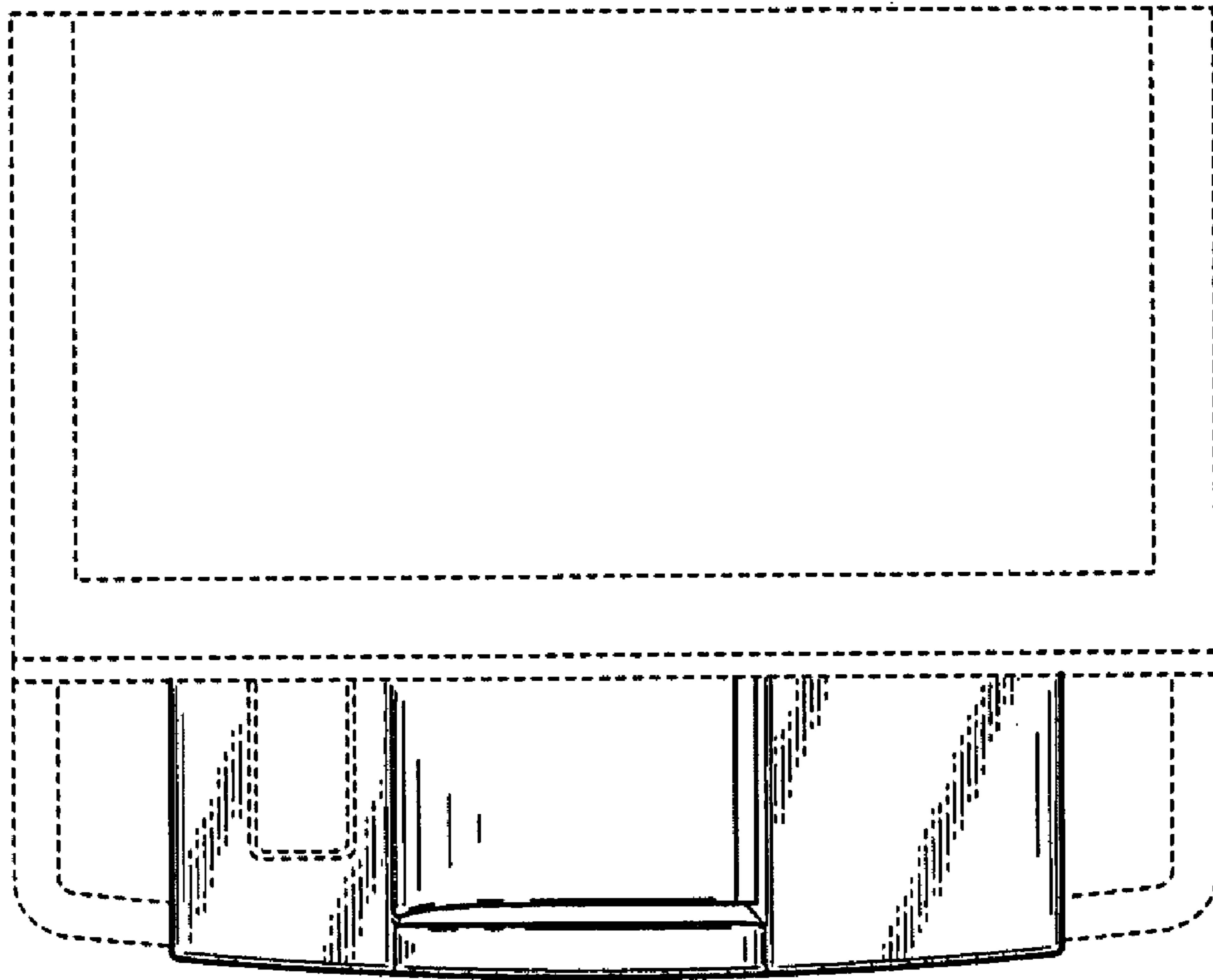
FIG. 2



**FIG. 3**



**FIG. 4**



**FIG. 5**