



US00D677941S

(12) **United States Design Patent**  
**Liska**

(10) **Patent No.:** **US D677,941 S**  
(45) **Date of Patent:** **\*\* Mar. 19, 2013**

(54) **LOW PROFILE DRUM RACK**  
(71) Applicant: **Gordon Liska**, Succasunna, NJ (US)  
(72) Inventor: **Gordon Liska**, Succasunna, NJ (US)  
(\*\*) Term: **14 Years**

D588,377 S \* 3/2009 Riley ..... D6/462  
7,681,855 B1 \* 3/2010 Cashman et al. .... 248/441.1  
D613,092 S \* 4/2010 Eason et al. .... D6/462  
D631,714 S \* 2/2011 Chen ..... D7/704  
8,016,648 B2 \* 9/2011 Frederick ..... 452/132  
D657,201 S \* 4/2012 Chen ..... D7/600.1  
D670,975 S \* 11/2012 Goodman et al. .... D7/631  
2011/0114584 A1 \* 5/2011 Shirey et al. .... 211/85.11

\* cited by examiner

(21) Appl. No.: **29/433,020**

(22) Filed: **Sep. 25, 2012**

*Primary Examiner* — Kelley Donnelly

(74) *Attorney, Agent, or Firm* — Lawrence G. Fridman

(51) **LOC (9) Cl.** ..... **06-06**

(52) **U.S. Cl.** ..... **D6/466**

(58) **Field of Classification Search** ..... D6/449–450,  
D6/462–464, 466; D17/22; 84/421; 312/351;  
211/85.11, 60.1

(57) **CLAIM**

The ornamental design for a low profile drum rack, as shown and described.

See application file for complete search history.

**DESCRIPTION**

(56) **References Cited**

U.S. PATENT DOCUMENTS

4,421,238 A \* 12/1983 Patton ..... 211/85.11  
D314,098 S \* 1/1991 Kee ..... D6/462  
D336,927 S \* 6/1993 Samuels et al. .... D19/90  
D343,307 S \* 1/1994 Tennyson ..... D6/462  
D400,565 S \* 11/1998 Ahl ..... D17/22  
D507,737 S \* 7/2005 Flanagan ..... D6/317

FIG. 1 is a perspective view showing a low profile drum rack according to my design;

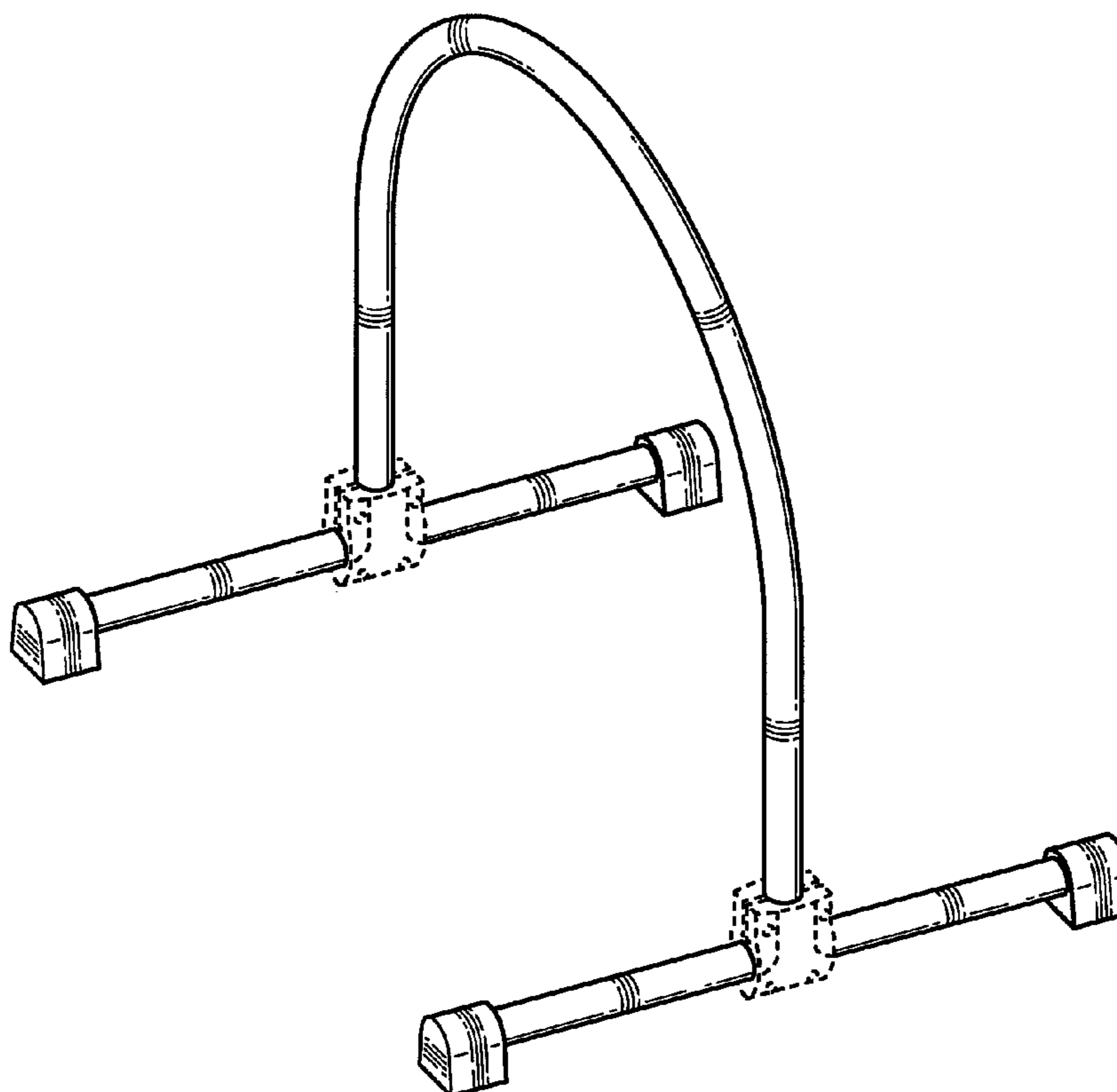
FIG. 2 is a front elevational view thereof;

FIG. 3 is one side elevational view thereof; the other elevational view is a mirror image of FIG. 3;

FIG. 4 is a top plan view thereof; and,

FIG. 5 is a bottom plan view thereof.

**1 Claim, 3 Drawing Sheets**



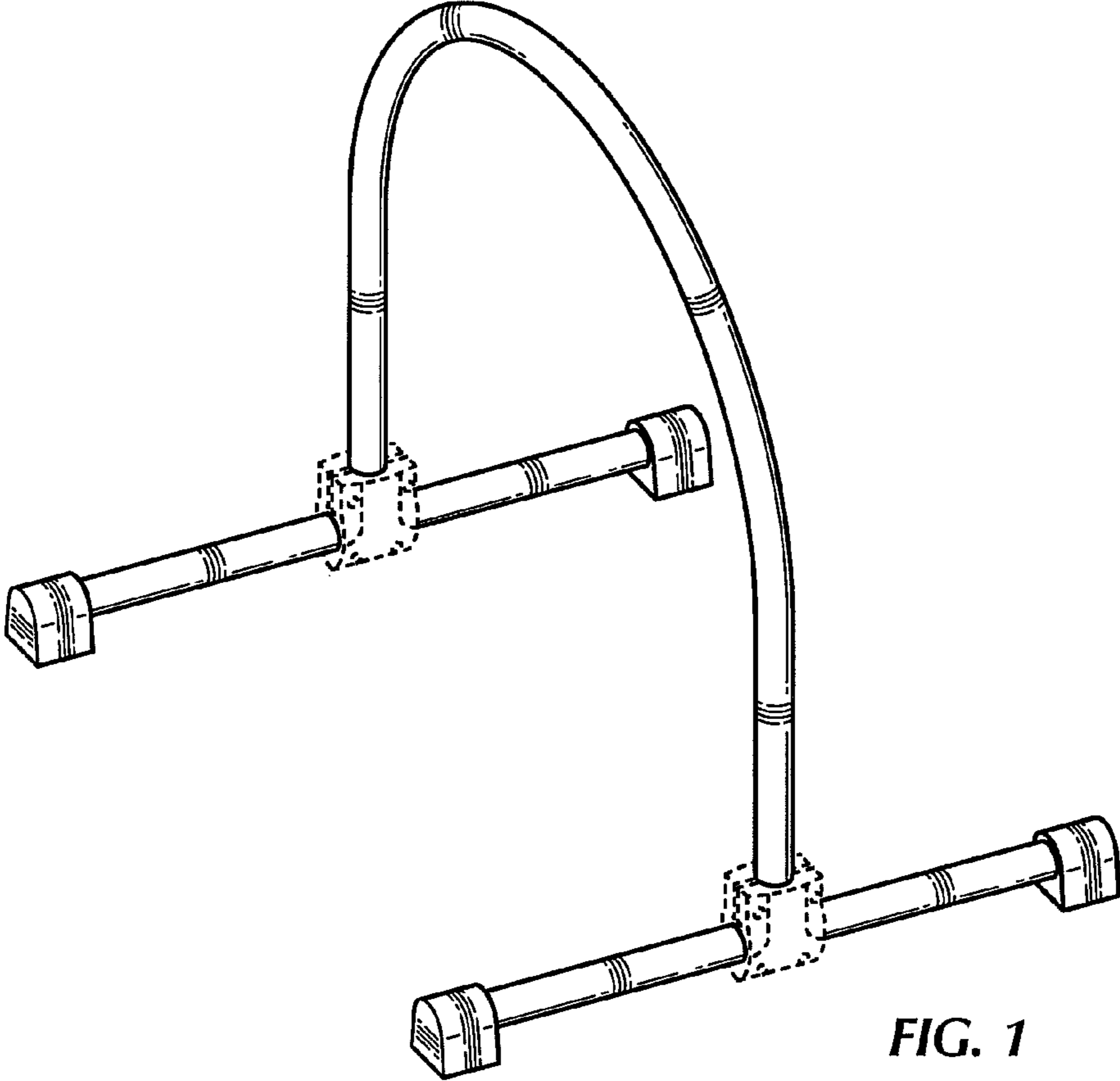
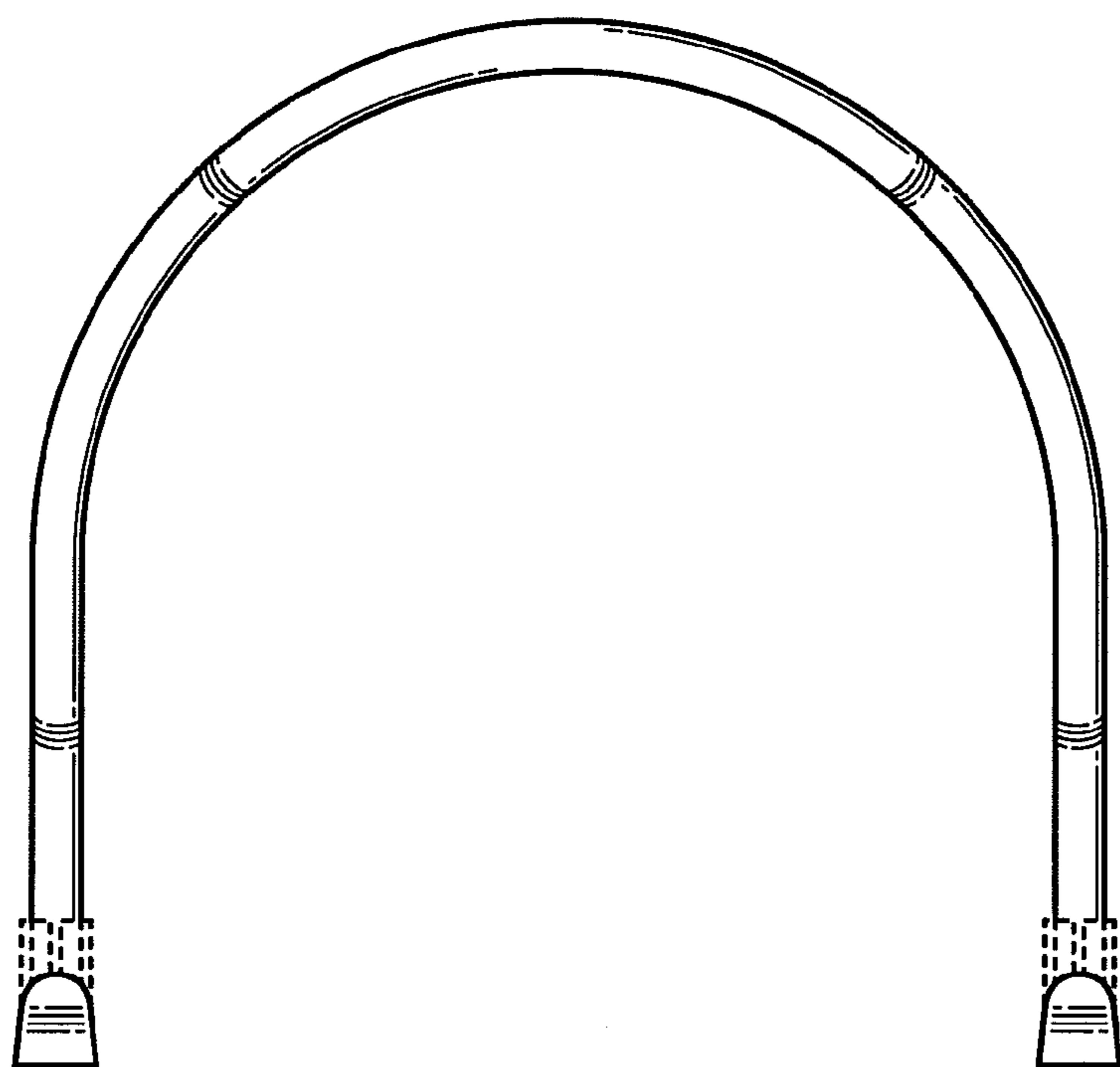
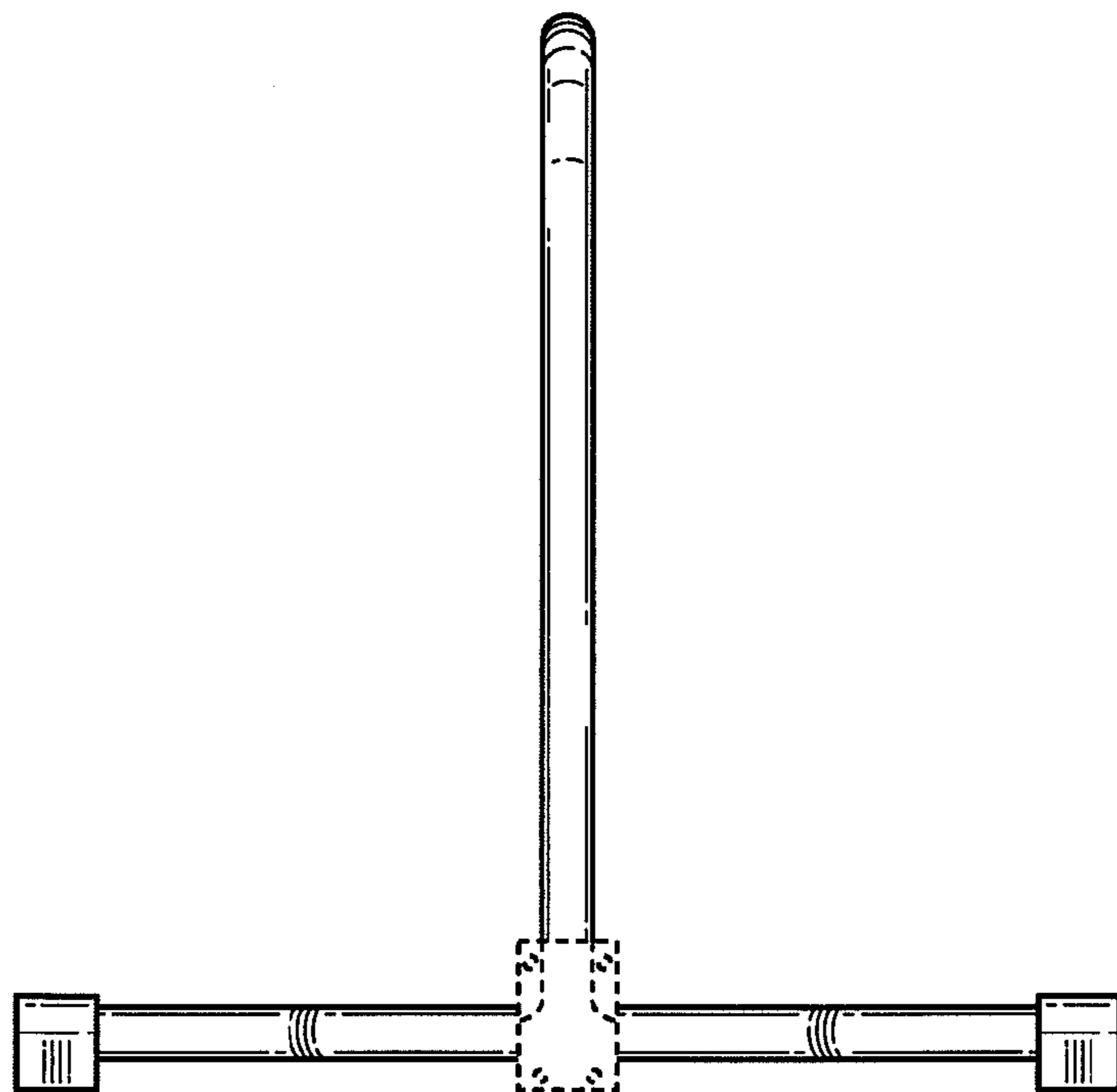


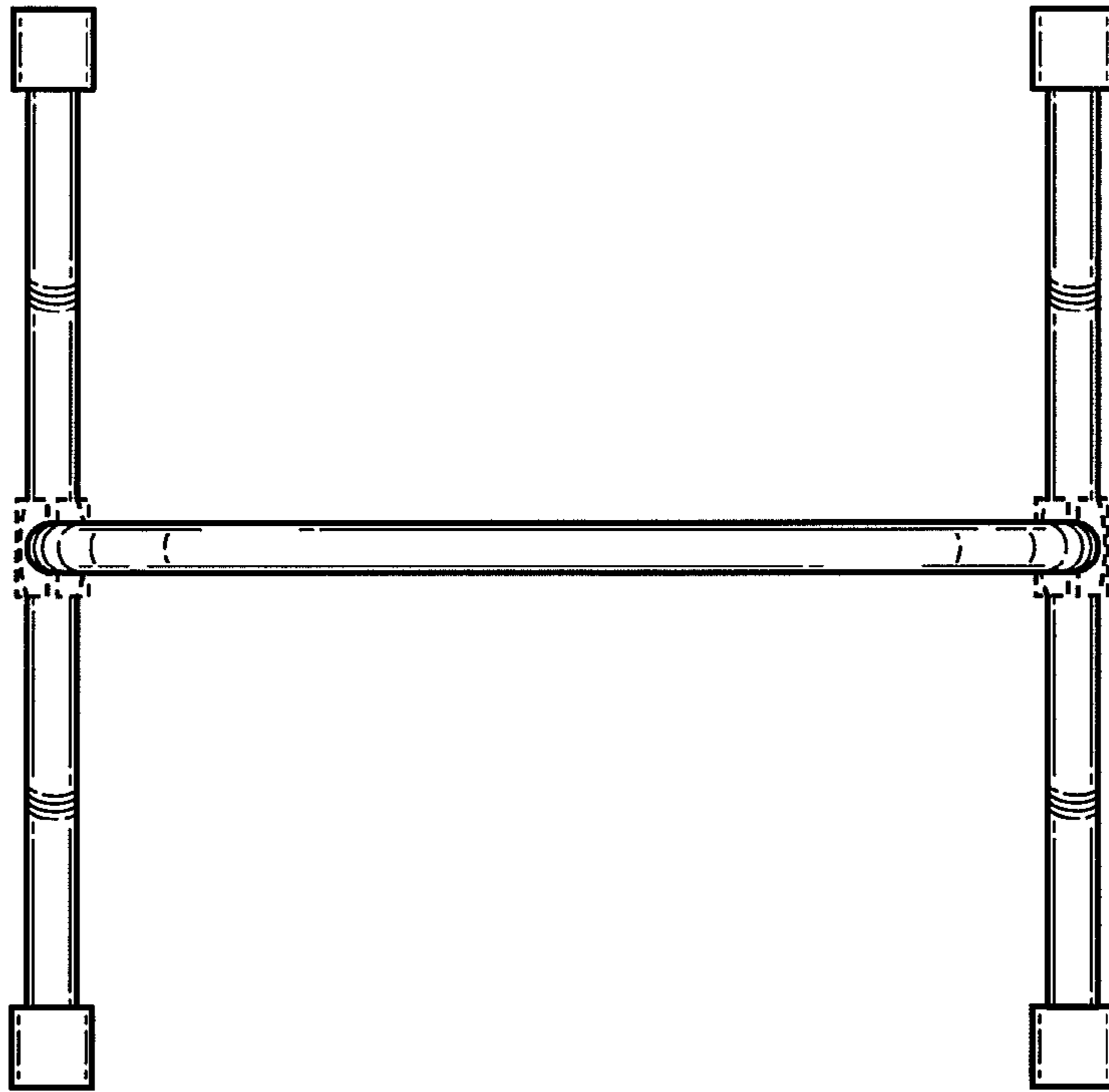
FIG. 1



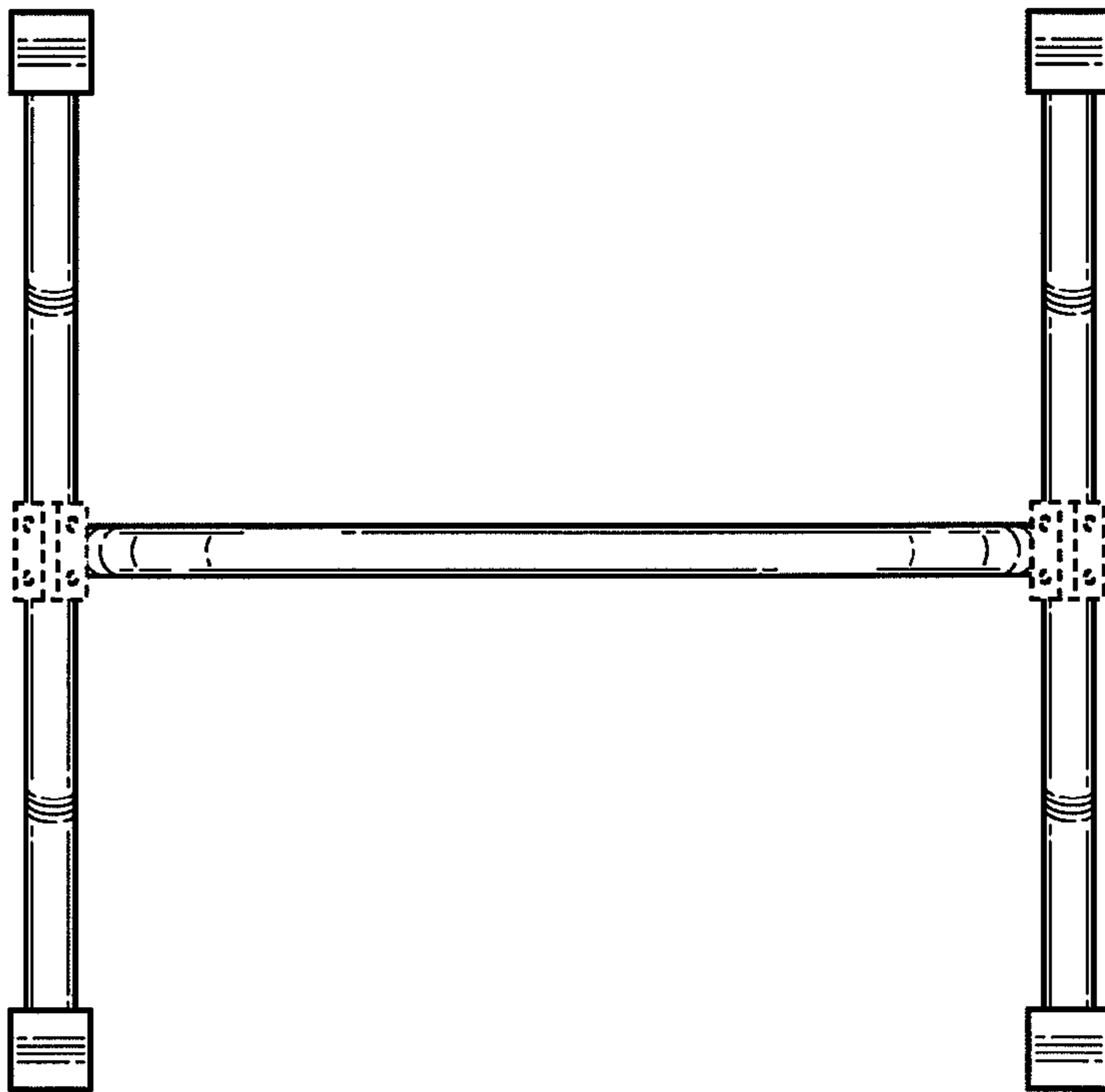
*FIG. 2*



*FIG. 3*



*FIG. 4*



*FIG. 5*