



US00D677938S

(12) **United States Design Patent**  
**Peterson**

(10) **Patent No.:** **US D677,938 S**  
(45) **Date of Patent:** **\*\* Mar. 19, 2013**

(54) **SPINNING MERCHANDISE DISPLAY**

(76) Inventor: **Gary Stein Peterson**, Vancouver, WA  
(US)

(\*\*) Term: **14 Years**

(21) Appl. No.: **29/430,773**

(22) Filed: **Aug. 29, 2012**

(51) **LOC (9) Cl.** ..... **06-04**

(52) **U.S. Cl.** ..... **D6/457; D6/415**

(58) **Field of Classification Search** ..... D6/410,  
D6/449, 415, 458, 457, 479, 399, 461, 462,  
D6/405; 211/1.55, 163, 37, 33, 31, 32, 190,  
211/196, 59.1, 125, 85.4, 205, 181.1, 13.1;  
248/164, 121, 166, 177.1, 292.12; 472/7  
See application file for complete search history.

(56) **References Cited**

**U.S. PATENT DOCUMENTS**

D76,856 S *	11/1928	D'angelo	.....	D6/399
2,613,931 A *	10/1952	Singer	.....	472/7
D202,464 S *	10/1965	Silverstien	.....	D6/479
D204,435 S *	4/1966	Hersch	.....	D6/410
D361,444 S *	8/1995	Egan	.....	D6/415
5,566,837 A *	10/1996	Lema	.....	211/33
D391,419 S *	3/1998	Walters et al.	.....	D6/458
D450,474 S *	11/2001	Sokoloff	.....	D6/415

D454,722 S *	3/2002	Novel	.....	D6/415
D486,320 S *	2/2004	Grimberg	.....	D6/462
D637,832 S *	5/2011	Russell	.....	D6/405
D664,374 S *	7/2012	Capella	.....	D6/415
D665,190 S *	8/2012	Fitzpatrick	.....	D6/415

\* cited by examiner

*Primary Examiner* — Philip S Hyder

*Assistant Examiner* — Sydney Buffalow

(74) *Attorney, Agent, or Firm* — Mark S. Hubert

(57) **CLAIM**

The ornamental design for a spinning merchandise display, as shown and described.

**DESCRIPTION**

FIG. 1 is a perspective view of the spinning merchandise display;

FIG. 2 is a top view of the spinning merchandise display;

FIG. 3 is a front view of the spinning merchandise display;

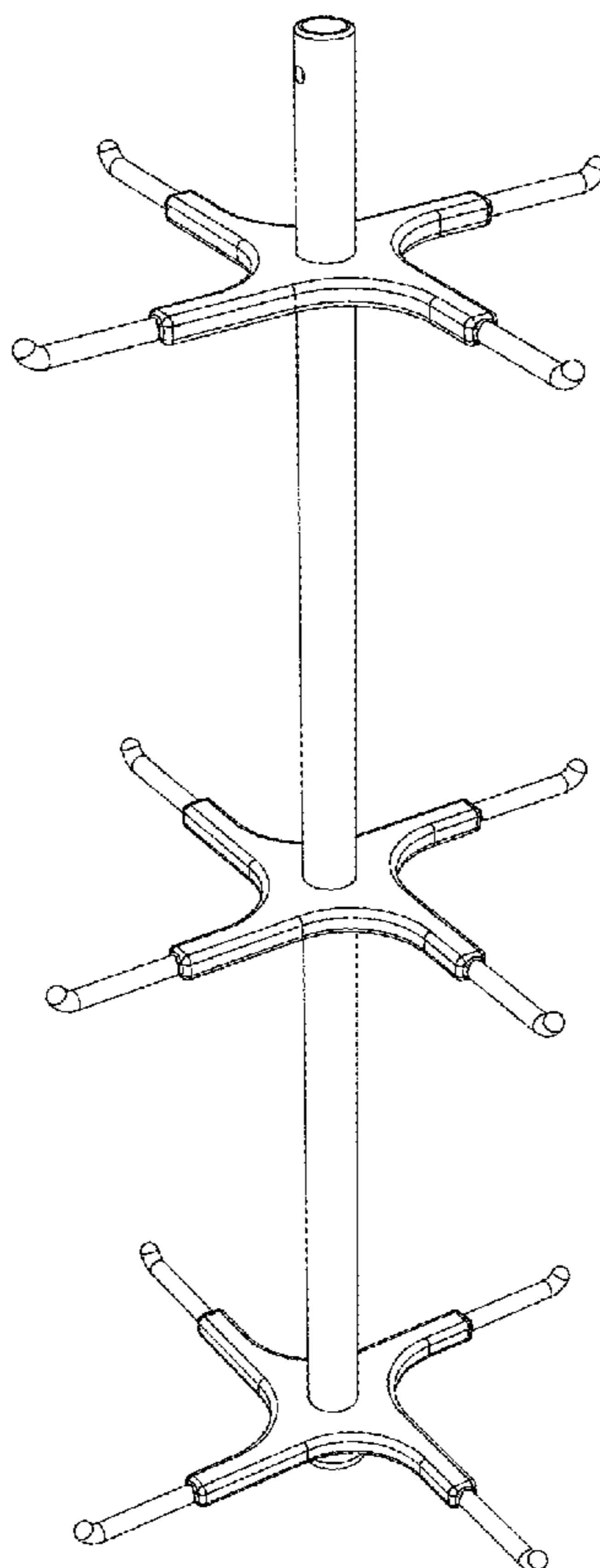
FIG. 4 is a right-side view of the spinning merchandise display;

FIG. 5 is back view of the spinning merchandise display;

FIG. 6 is a bottom view of the spinning merchandise display; and,

FIG. 7 is a left-side view of the spinning merchandise display.

**1 Claim, 4 Drawing Sheets**



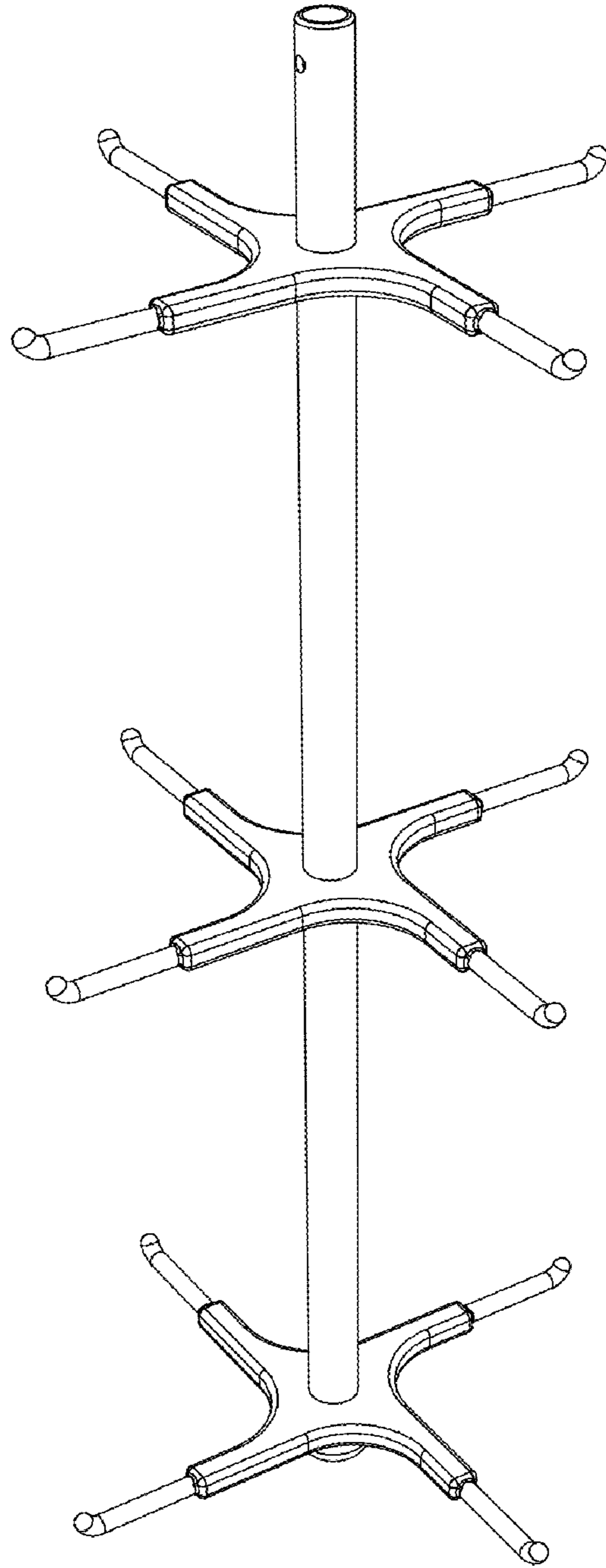


FIG. 1

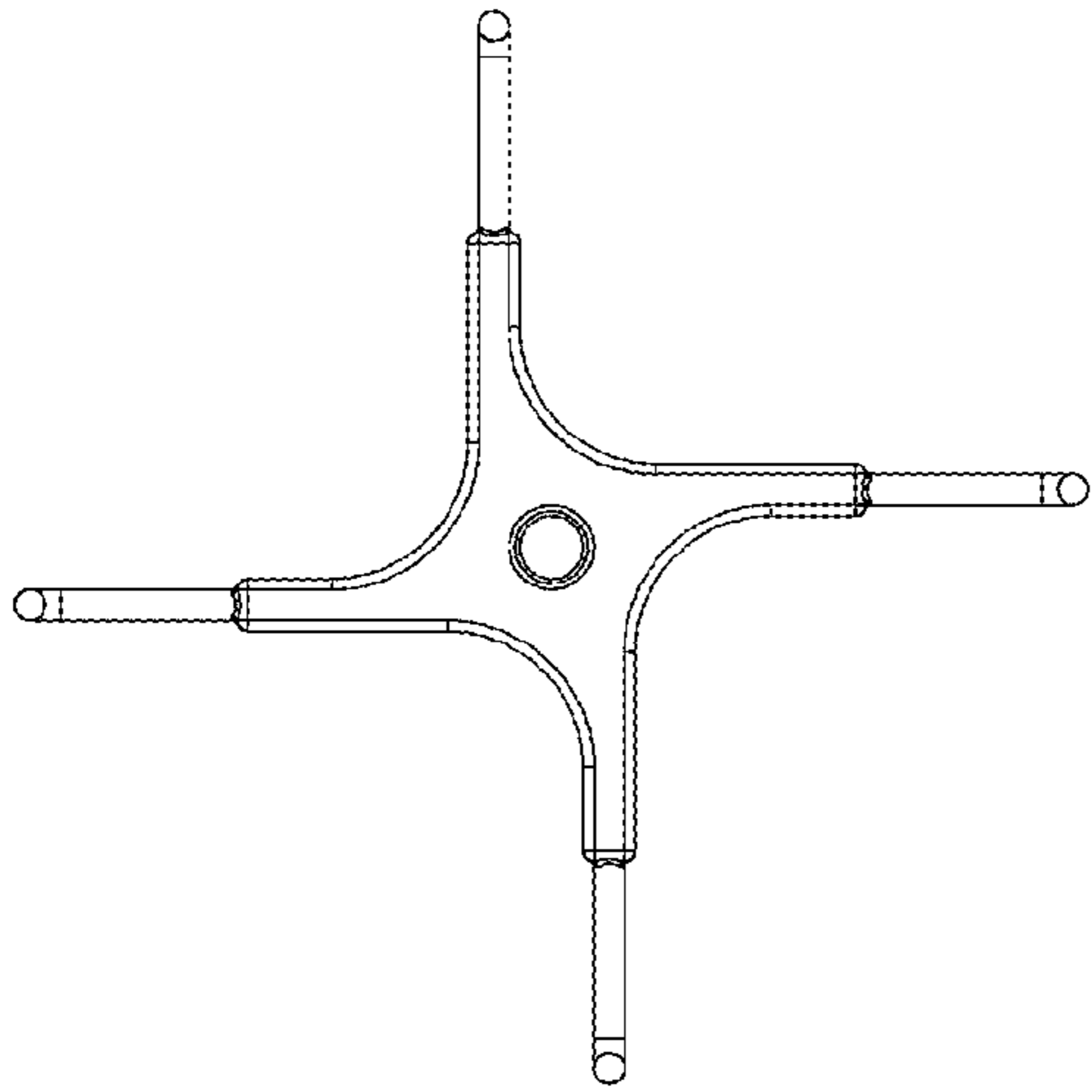


FIG. 2

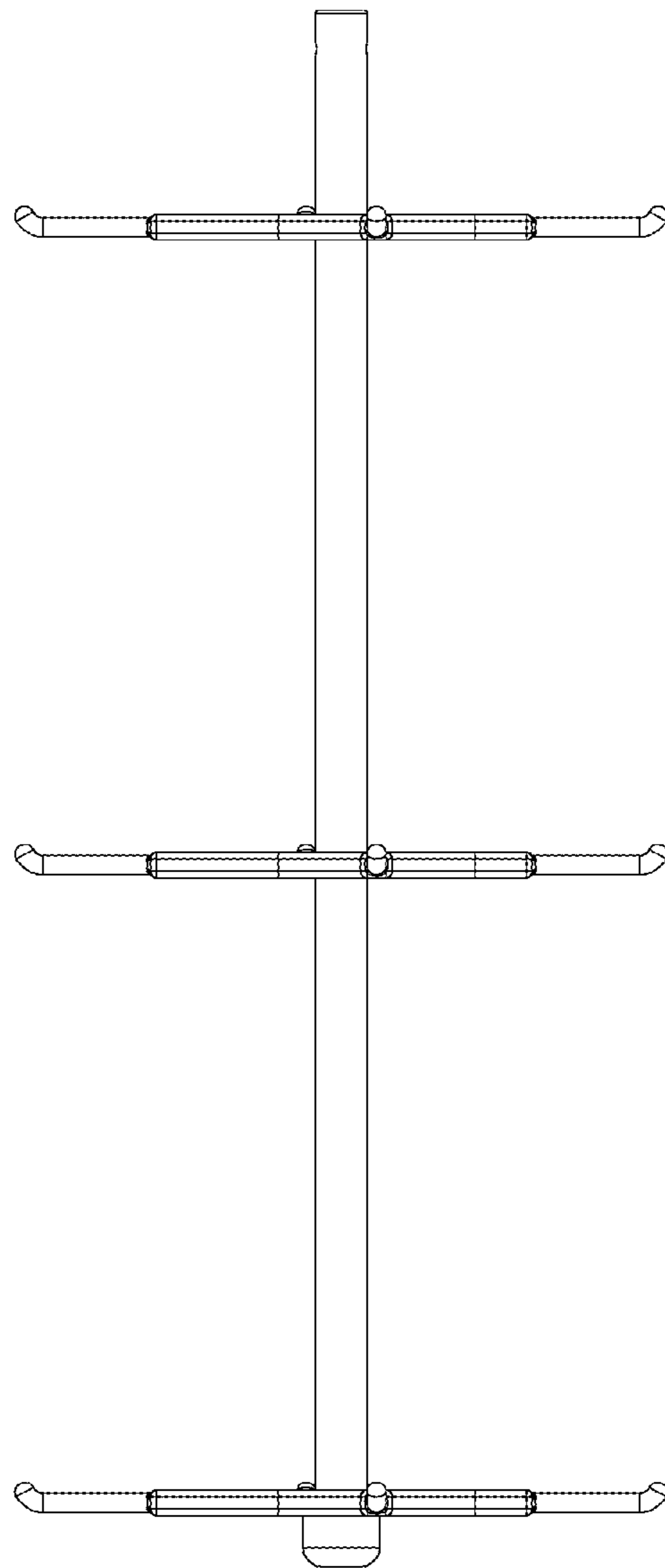


FIG. 3

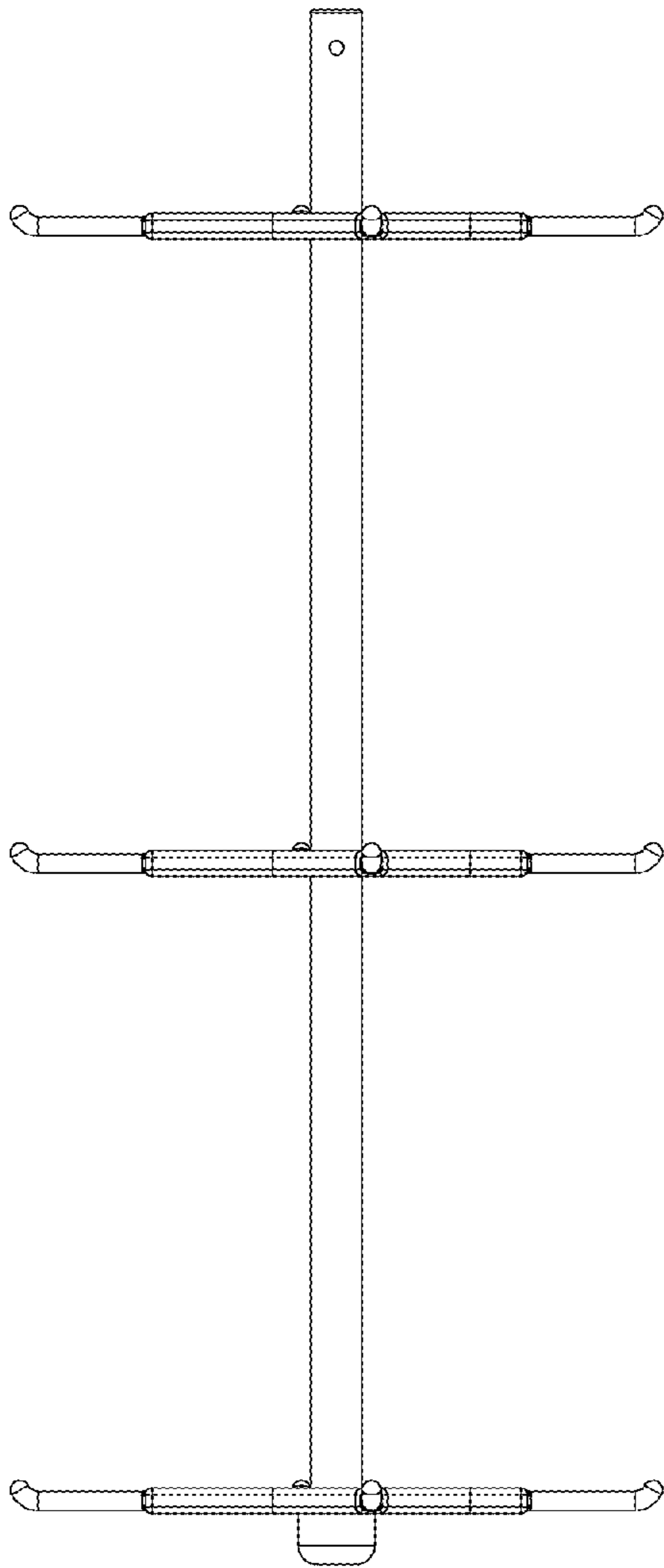


FIG. 4

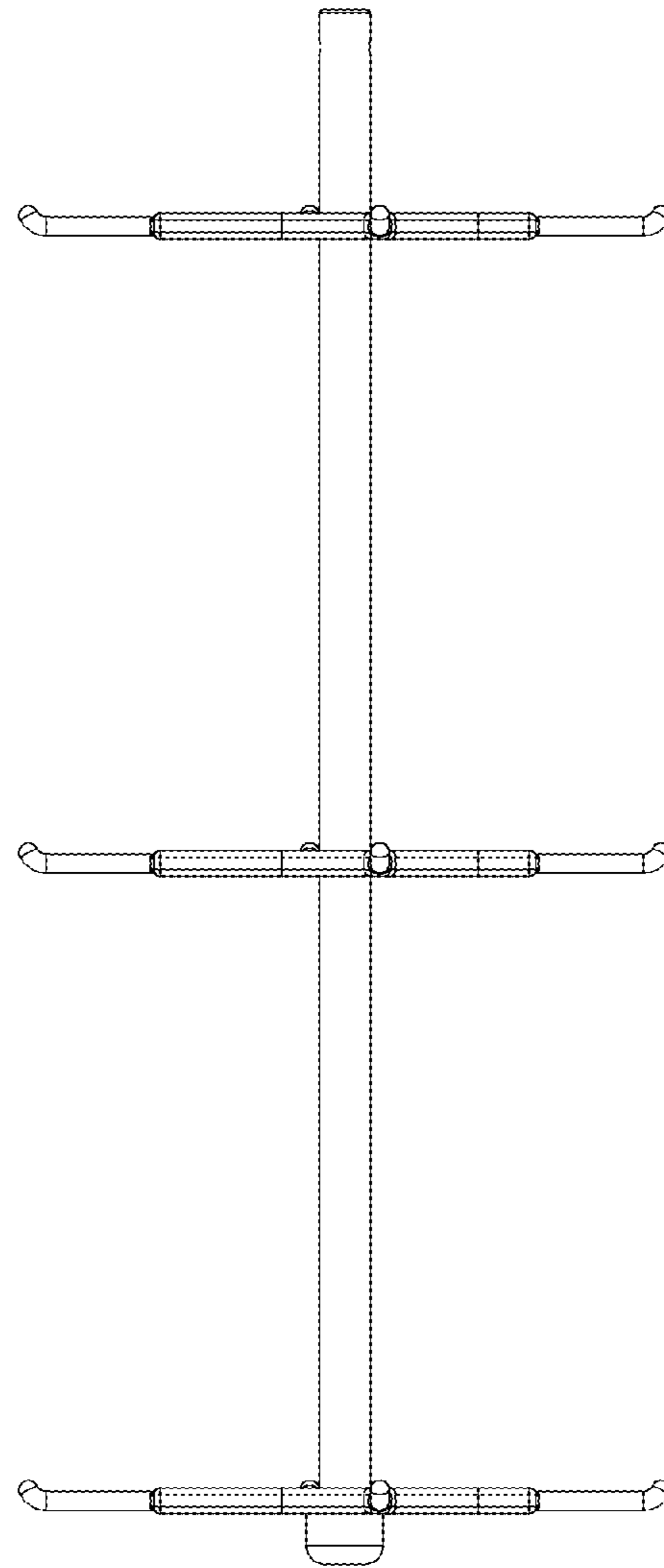


FIG. 5

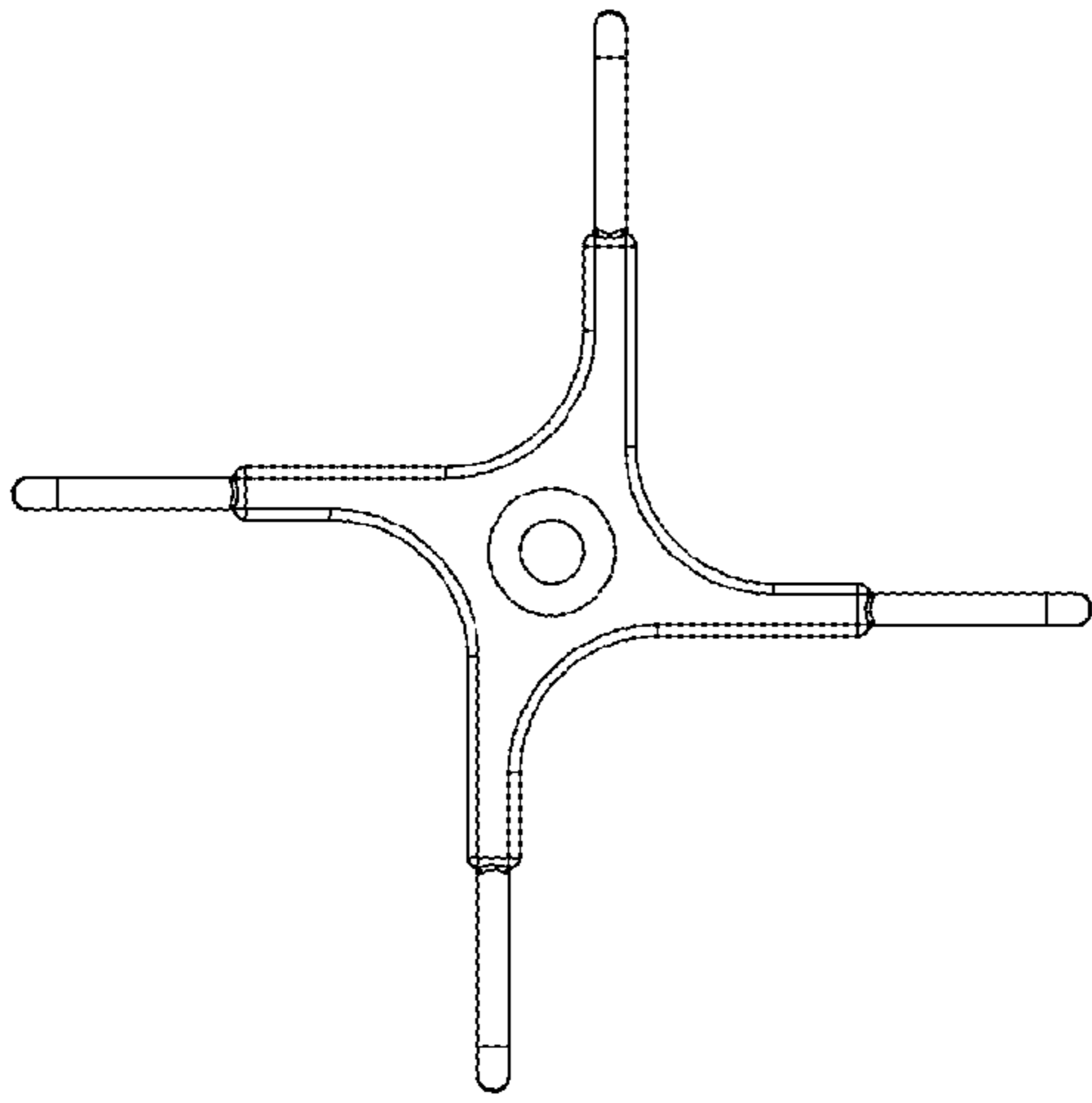


FIG. 6

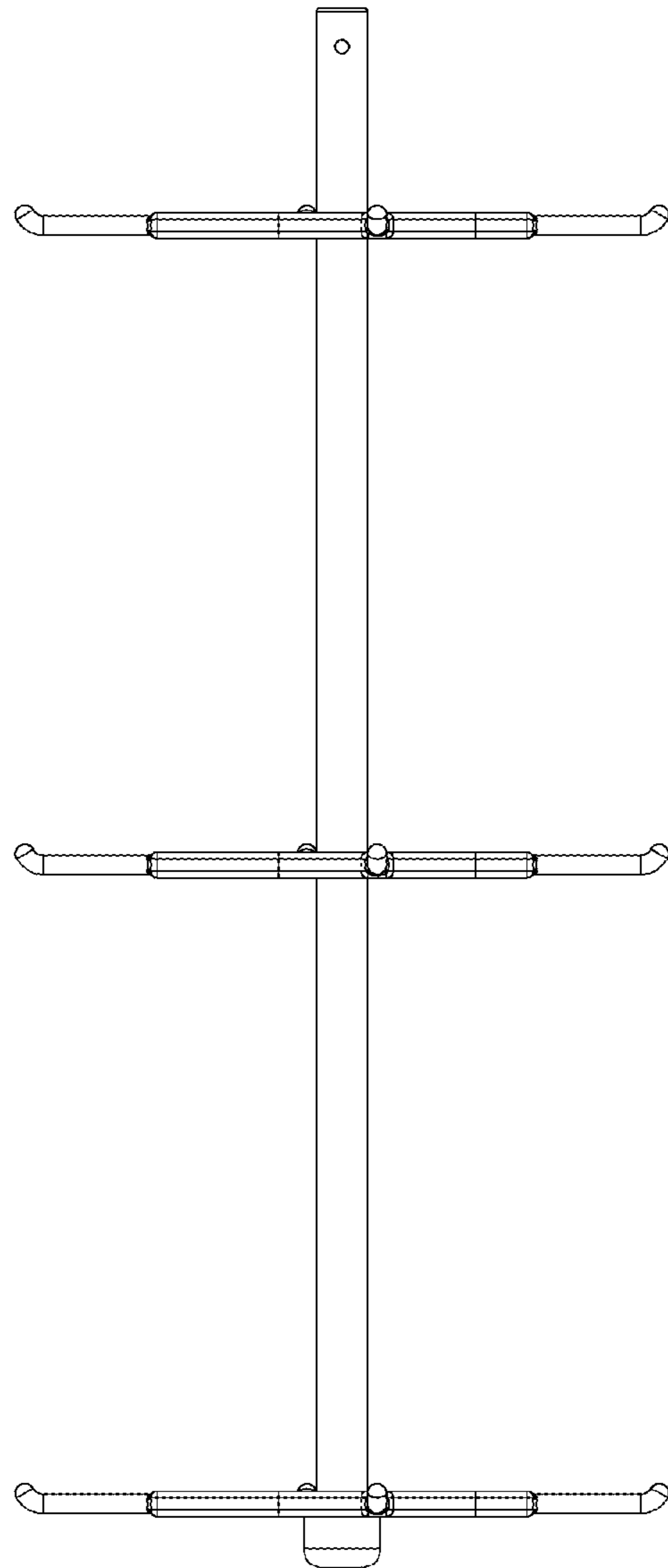


FIG. 7