



US00D677934S

(12) **United States Design Patent**  
**Grela**

(10) **Patent No.:** **US D677,934 S**

(45) **Date of Patent:** **\*\* Mar. 19, 2013**

(54) **TOOLBOX**

(76) Inventor: **Larry Mitchell Grela**, Plainfield, IL  
(US)

(\*\*) Term: **14 Years**

(21) Appl. No.: **29/370,916**

(22) Filed: **Sep. 21, 2010**

(51) **LOC (9) Cl.** ..... **06-06**

(52) **U.S. Cl.** ..... **D6/443**

(58) **Field of Classification Search** ..... D6/397,  
D6/432, 440, 441, 443-446, 448, 491, 509,  
D6/511; 312/107, 207, 213, 284  
See application file for complete search history.

(56) **References Cited**

**U.S. PATENT DOCUMENTS**

425,215	A	4/1890	Franklin	
652,778	A	7/1900	James	
898,106	A	9/1908	Higgins	
1,113,832	A	8/1914	Roth	
1,414,826	A	5/1922	Meyerson	
1,514,885	A	3/1924	Bigler	
1,510,240	A	9/1924	Carrier	
1,984,345	A	12/1934	Kennedy	
1,987,822	A	1/1935	Gregory	
2,286,427	A	6/1942	Levensten	
2,525,208	A	9/1946	Clink	
2,880,918	A	4/1959	Schweikhard	
2,996,192	A	12/1959	Dell et al.	
2,995,256	A	8/1961	Schoenfisch	
3,092,428	A *	6/1963	Kerschner	312/218
3,259,230	A	7/1966	Jaeger	
3,520,583	A	7/1970	Case	

(Continued)

**OTHER PUBLICATIONS**

International Search Report for PCT Application No. PCT US2010/  
001732, Aug. 5, 2010.

(Continued)

*Primary Examiner* — Kelley Donnelly

(74) *Attorney, Agent, or Firm* — John G. Chupa

(57) **CLAIM**

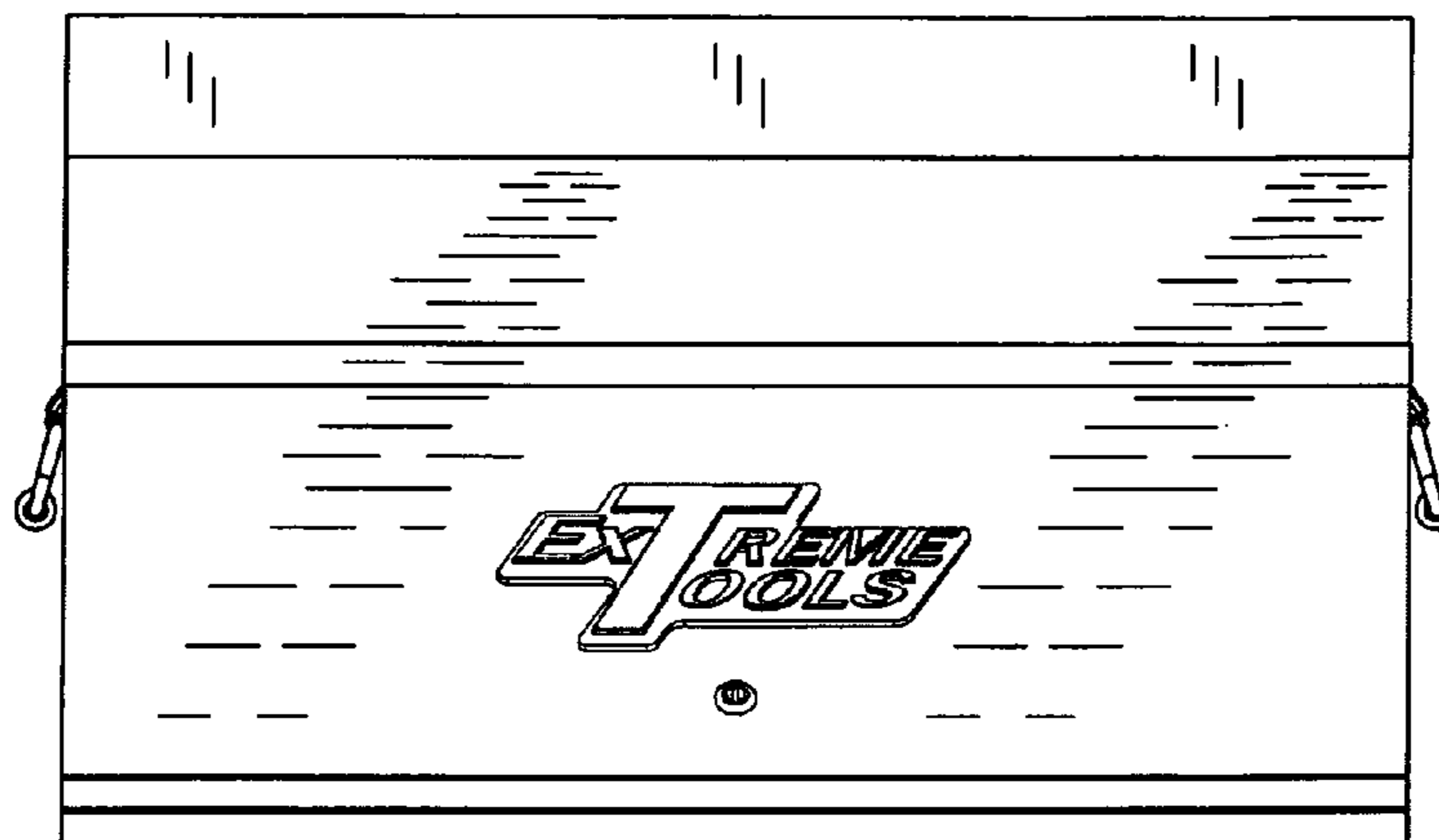
The ornamental design for a toolbox, as shown and described.

**DESCRIPTION**

FIG. 1 is a front view of a toolbox shown in a selectively closed position;  
 FIG. 2 is a back view thereof;  
 FIG. 3 is a top view thereof;  
 FIG. 4 is a bottom view thereof;  
 FIG. 5 is a right side view thereof;  
 FIG. 6 is a left side view thereof;  
 FIG. 7 is a side view of the lid side support portion thereof;  
 FIG. 8 is a perspective view of the left side and front of the toolbox shown in FIG. 1;  
 FIG. 9 is a perspective view of the bottom of the toolbox shown in FIG. 1;  
 FIG. 10 is a perspective view back of the toolbox shown in FIG. 1;  
 FIG. 11 is a front view of the toolbox shown in FIG. 1 in a selectively open position;  
 FIG. 12 is back view of the toolbox shown in FIG. 11;  
 FIG. 13 is a top view of the toolbox shown in FIG. 11;  
 FIG. 14 is a bottom view of the toolbox shown in FIG. 11;  
 FIG. 15 is a perspective view of the toolbox shown in FIG. 11;  
 FIG. 16 is a left side view of the toolbox shown in FIG. 11;  
 FIG. 17 is a right side view of the toolbox shown in FIG. 11;  
 FIG. 18 is a perspective view of the left side and the front of the toolbox shown in FIG. 11; and,  
 FIG. 19 is a perspective view of back of the toolbox shown in FIG. 11.

The broken lines are for the purpose of illustrating the environment of the design only and form no part of the claimed design.

**1 Claim, 15 Drawing Sheets**



# US D677,934 S

Page 2

## U.S. PATENT DOCUMENTS

3,558,205 A 1/1971 Mueller  
3,848,942 A 11/1974 Fanini  
3,954,202 A 5/1976 Petrick  
4,058,210 A 11/1977 Mitchell  
4,108,514 A 8/1978 Zimmerman  
4,211,455 A 7/1980 Tedrow  
4,266,835 A \* 5/1981 Schmidt ..... 312/244  
4,303,158 A 12/1981 Perkins  
4,614,384 A 9/1986 Takano et al.  
4,733,703 A 3/1988 Cimino  
4,821,143 A 4/1989 Holmgren et al.  
5,456,358 A \* 10/1995 Schmidt ..... 206/373  
5,927,838 A 7/1999 Hellman  
5,951,129 A 9/1999 Stein  
D426,512 S \* 6/2000 Ciuba ..... D12/425  
6,375,235 B1 \* 4/2002 Mehmen ..... 292/128  
6,422,386 B1 7/2002 Weise et al.  
7,296,808 B2 11/2007 Huguet  
D574,628 S 8/2008 Grela  
7,510,078 B2 \* 3/2009 Schmidt et al. .... 206/372  
D590,325 S \* 4/2009 Hall ..... D12/423  
7,784,887 B2 8/2010 Grela et al.  
D633,719 S \* 3/2011 Koehn ..... D3/318

D636,615 S 4/2011 Grela  
D642,404 S \* 8/2011 Koehn ..... D6/443  
D647,297 S \* 10/2011 Chen ..... D3/273  
D649,377 S \* 11/2011 Manalang et al. .... D6/443  
8,056,995 B2 11/2011 Grela et al.  
8,157,337 B2 4/2012 Manalang et al.  
2005/0204646 A1 9/2005 Tupper et al.  
2006/0220503 A1 \* 10/2006 Widrig ..... 312/218  
2010/0072716 A1 3/2010 Grela  
2010/0276317 A1 11/2010 Grela et al.  
2010/0282629 A1 11/2010 Grela  
2010/0314978 A1 12/2010 Manalang et al.

## OTHER PUBLICATIONS

Matco Tools Catalog at least as early as Feb. 6, 2009.

United States Trademark Registration No. 3,930,484.

Matco Tools Catalog at least as early as Jan. 1, 1996.

\* cited by examiner

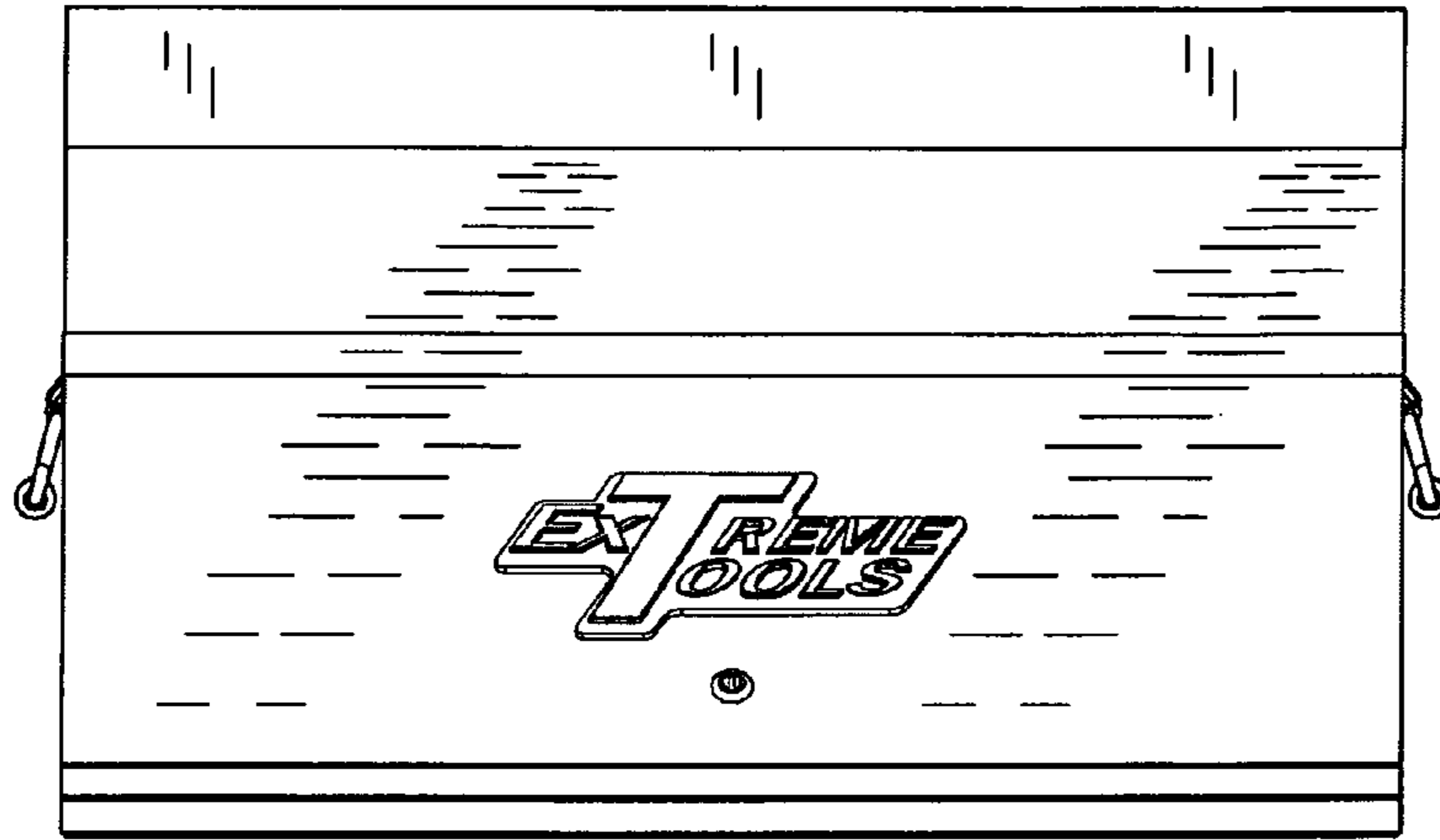


FIG. 1

FIG. 2

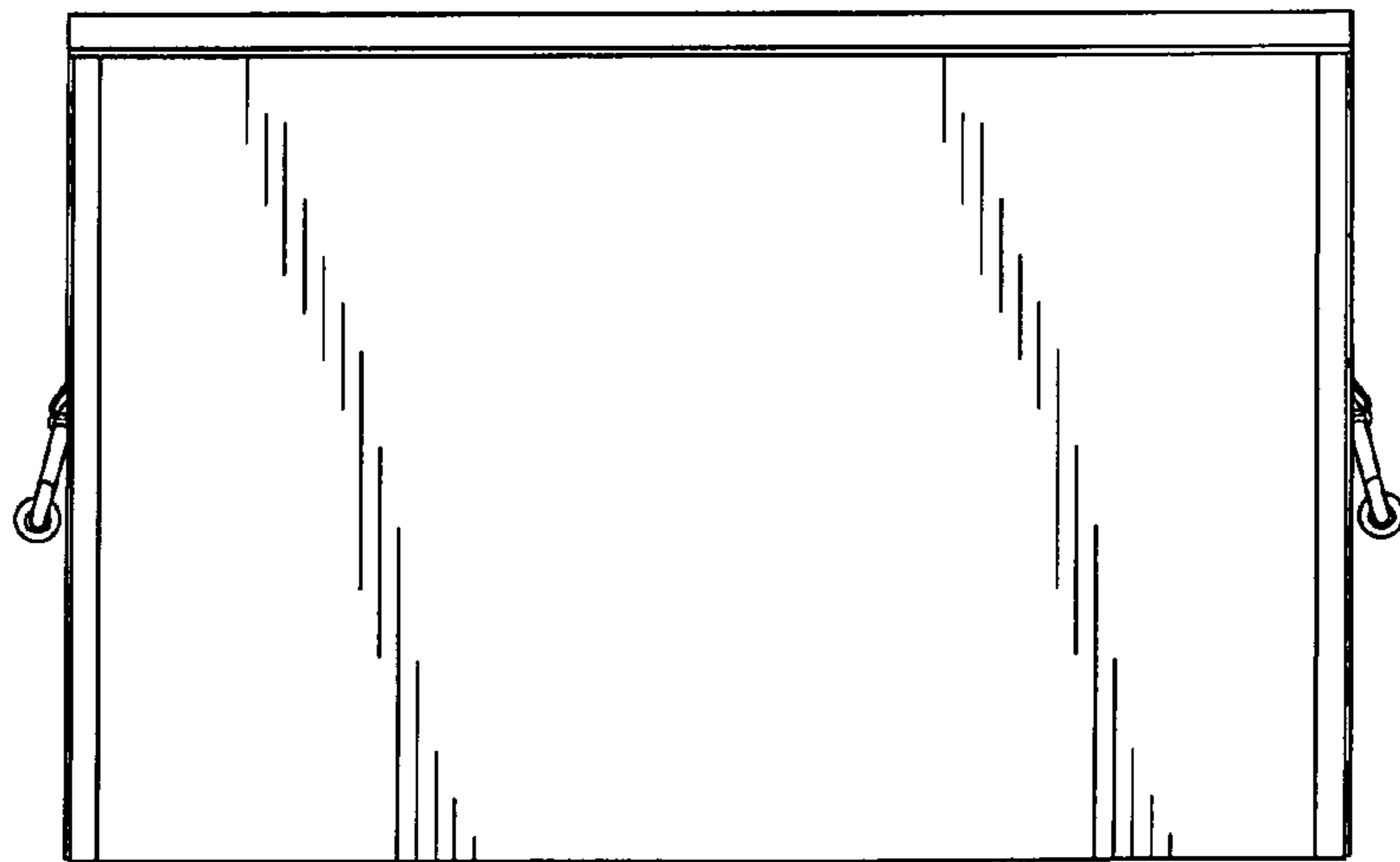


FIG. 3

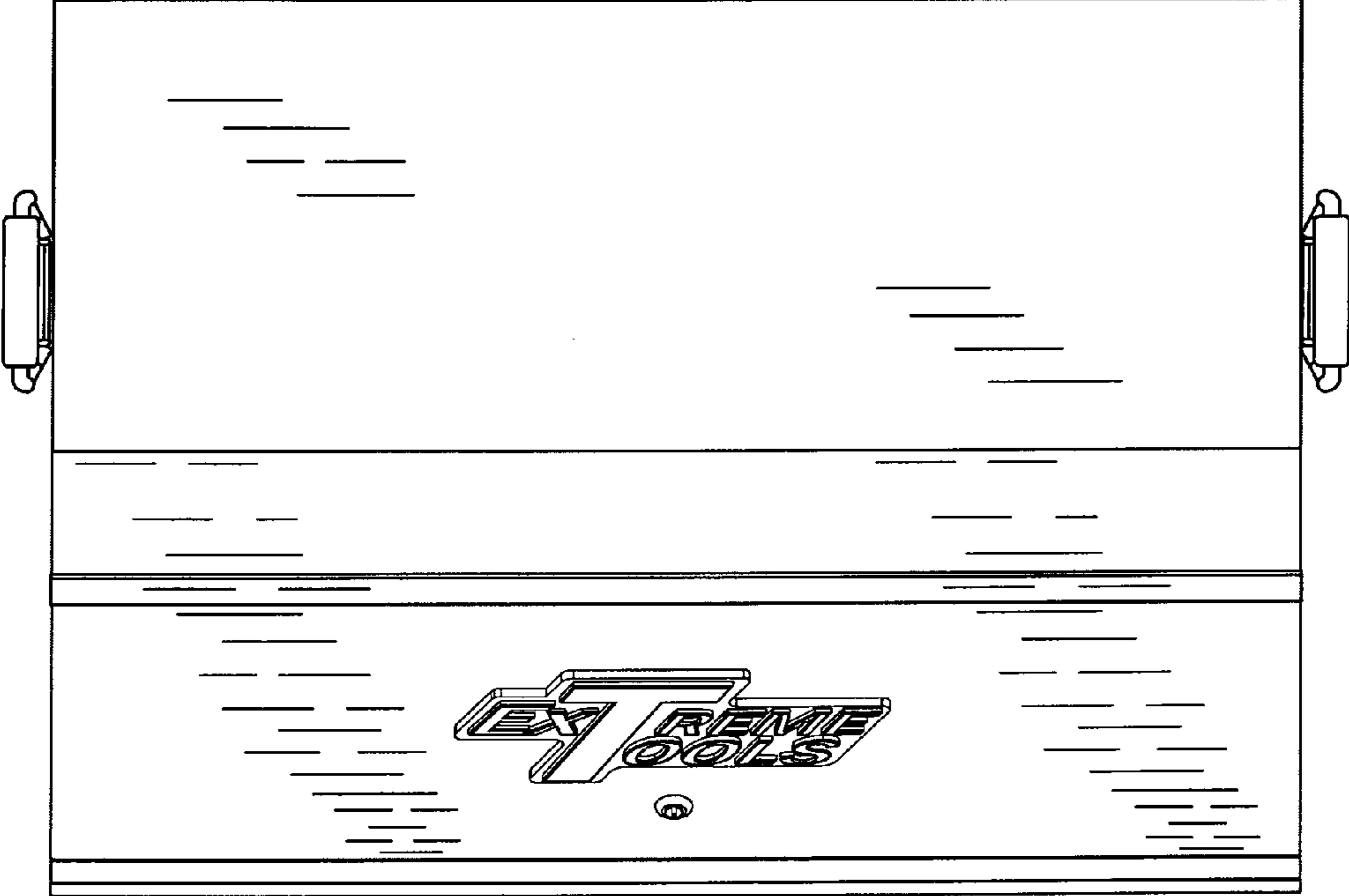


FIG. 4

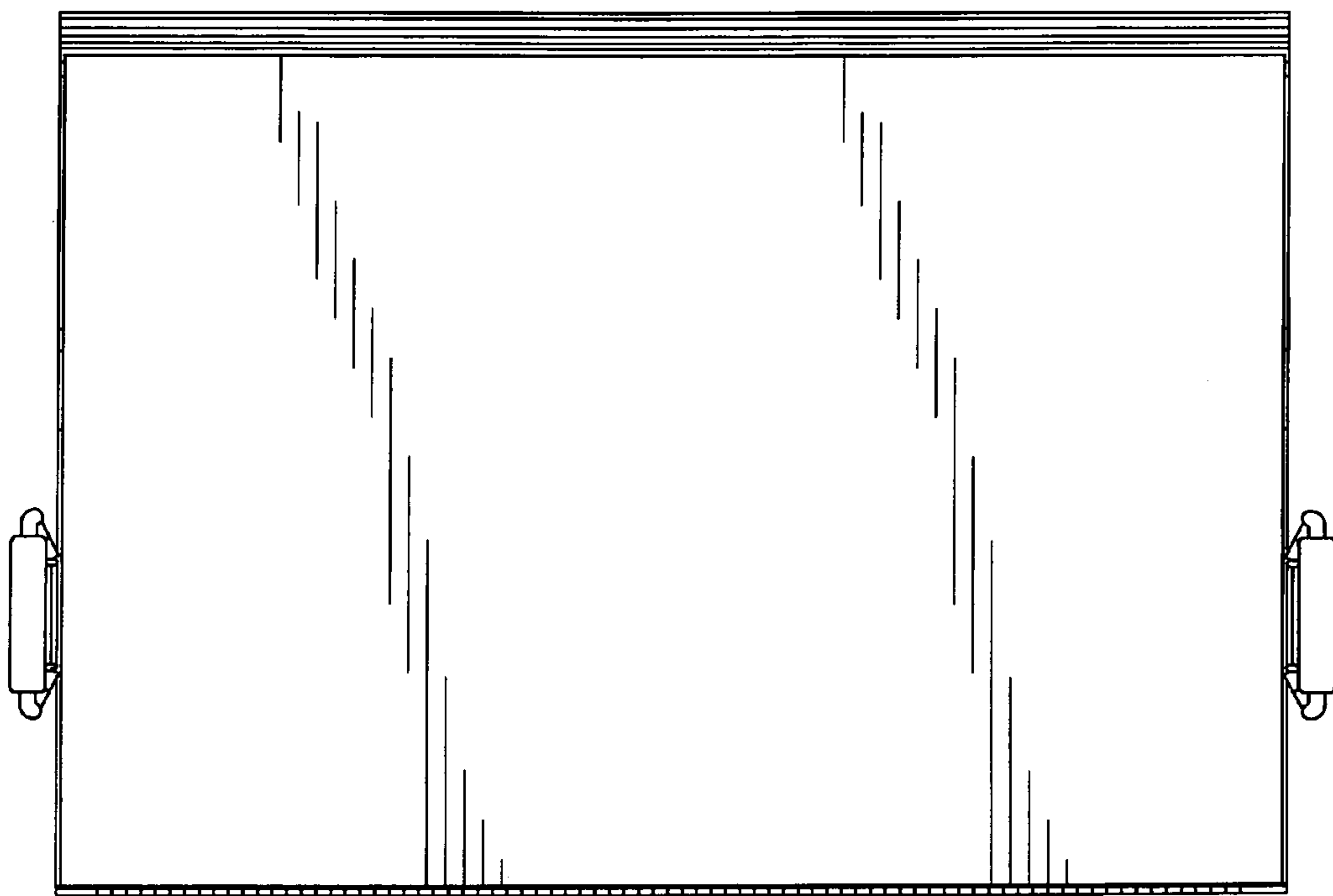


FIG. 5

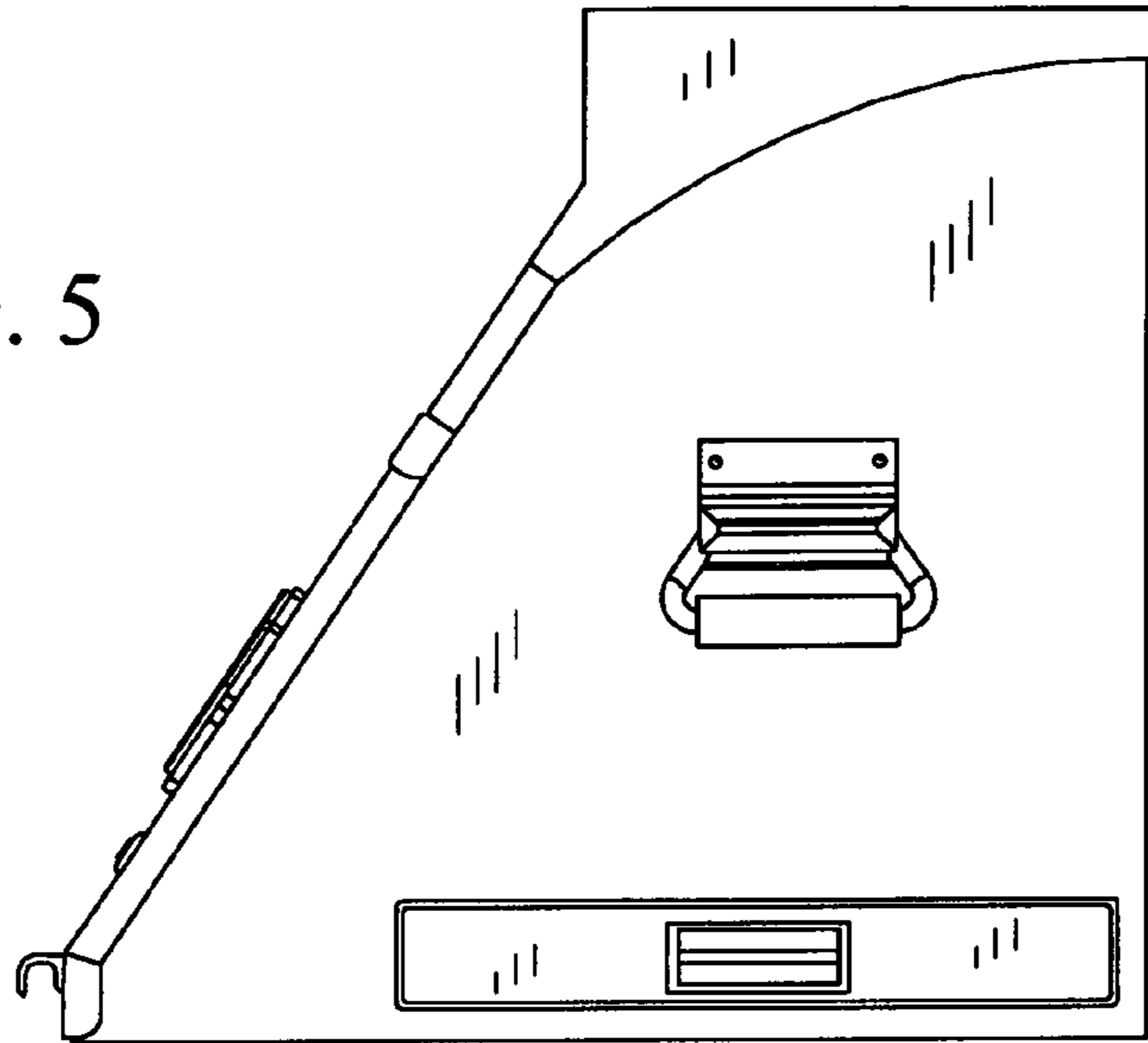


FIG. 6

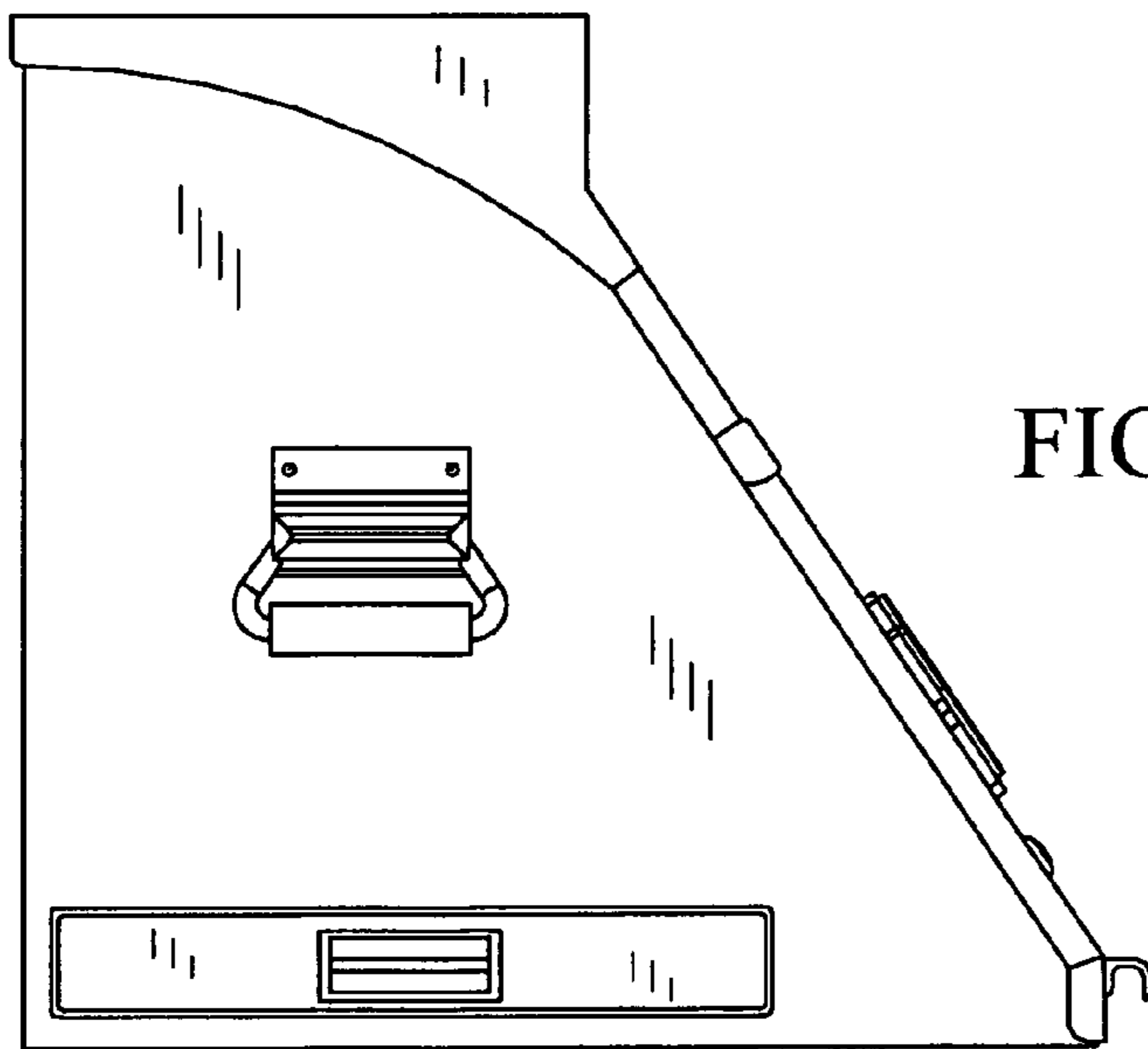


FIG. 7

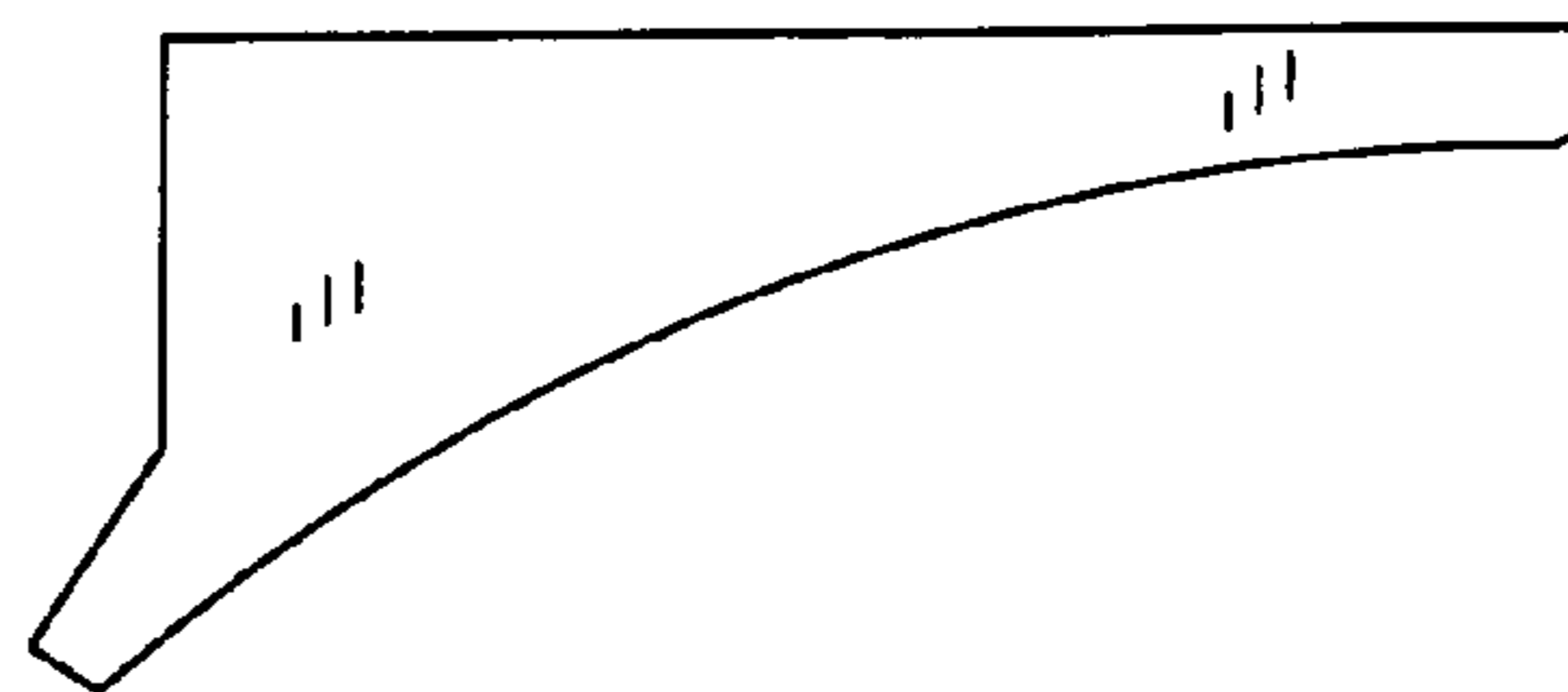


FIG. 8

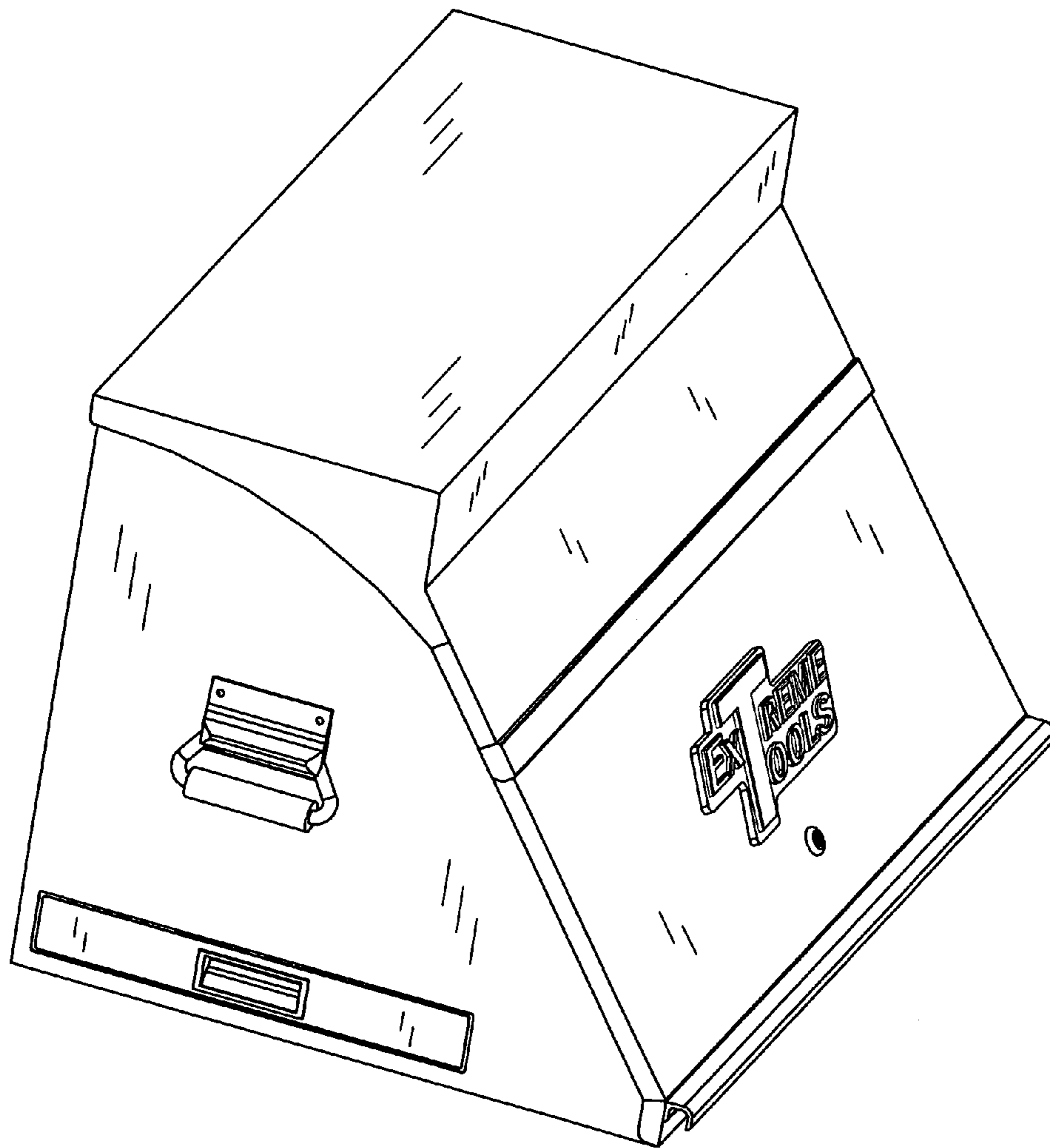




FIG. 9

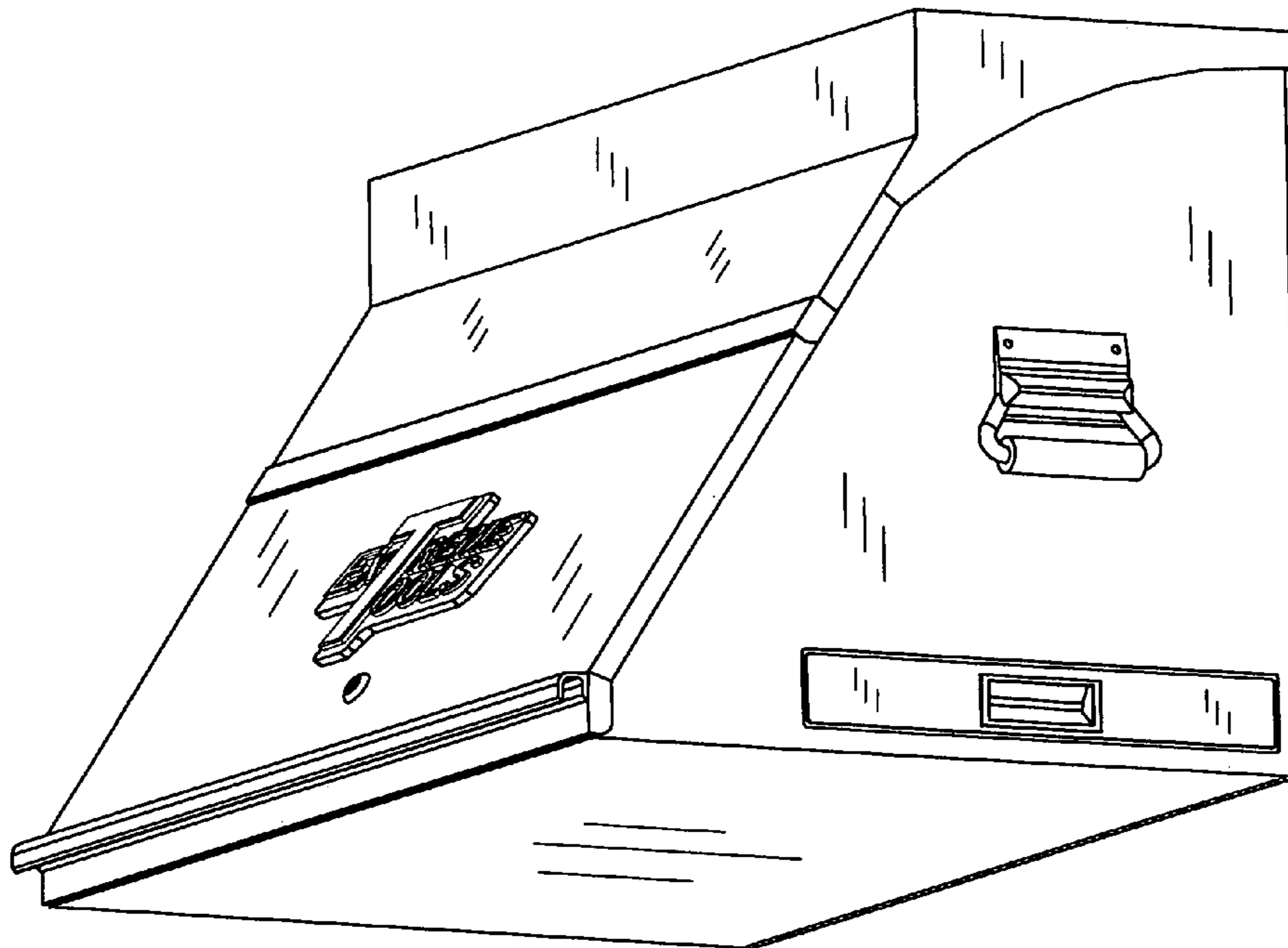




FIG. 10

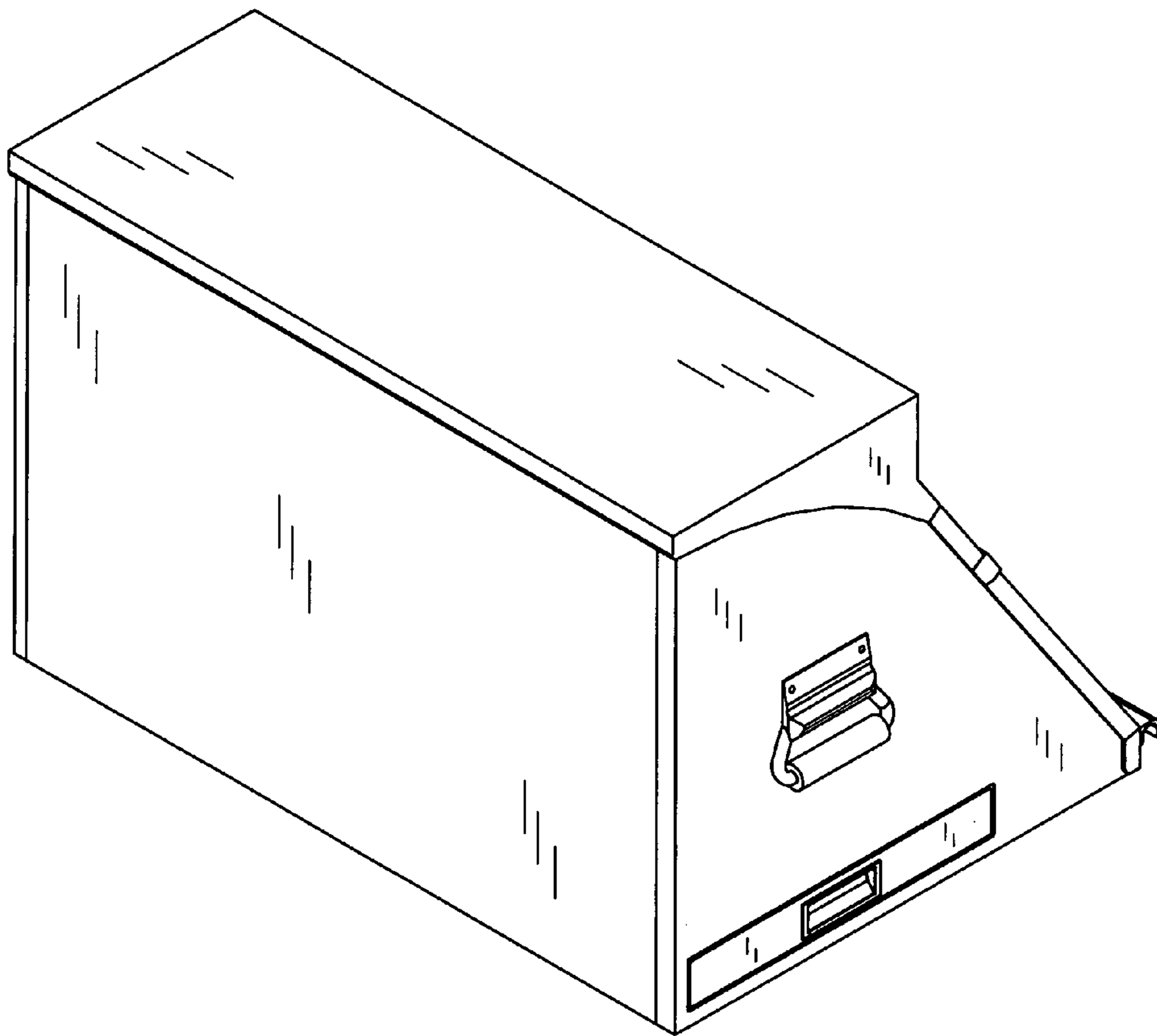


FIG. 11

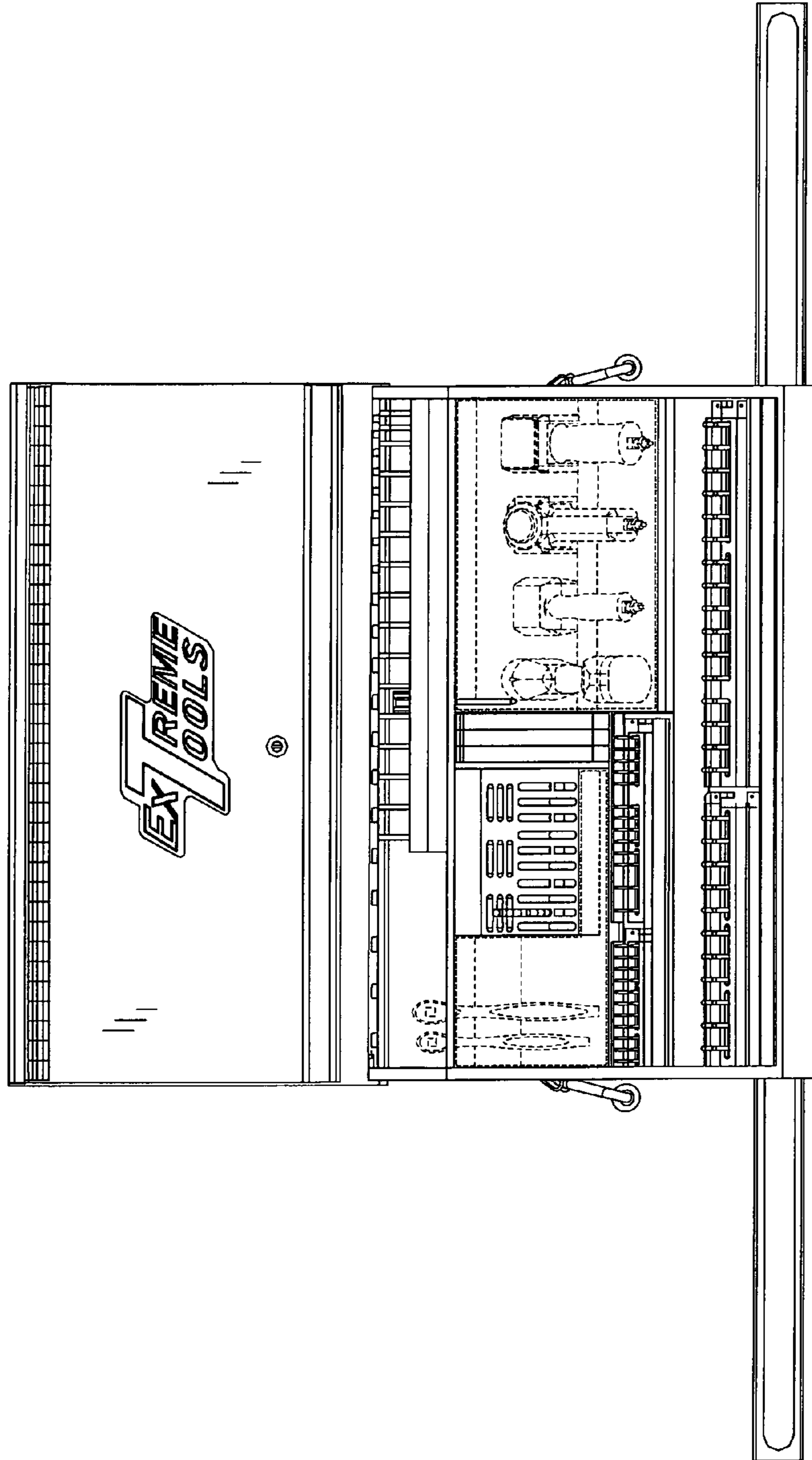


FIG. 12

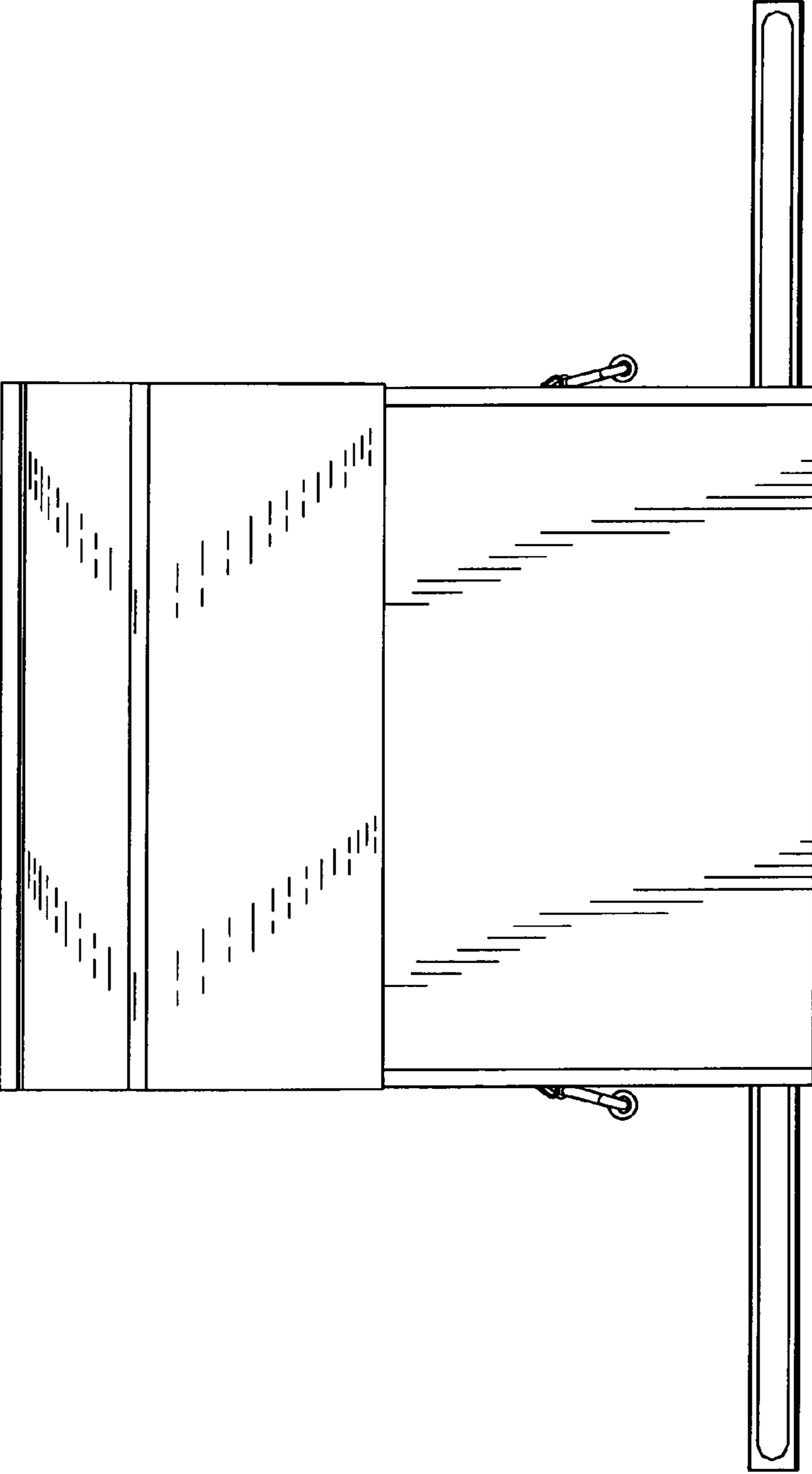


FIG. 13

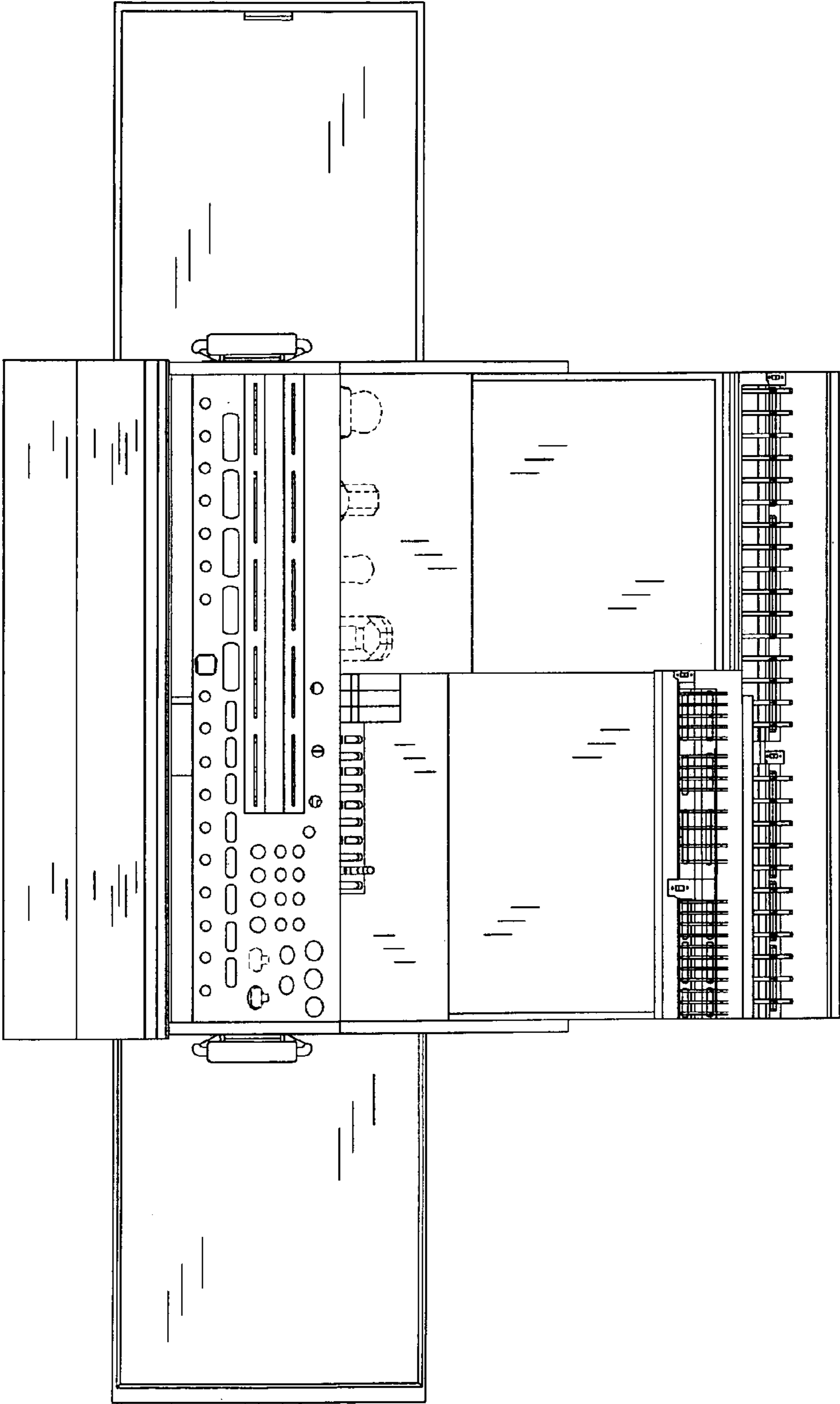
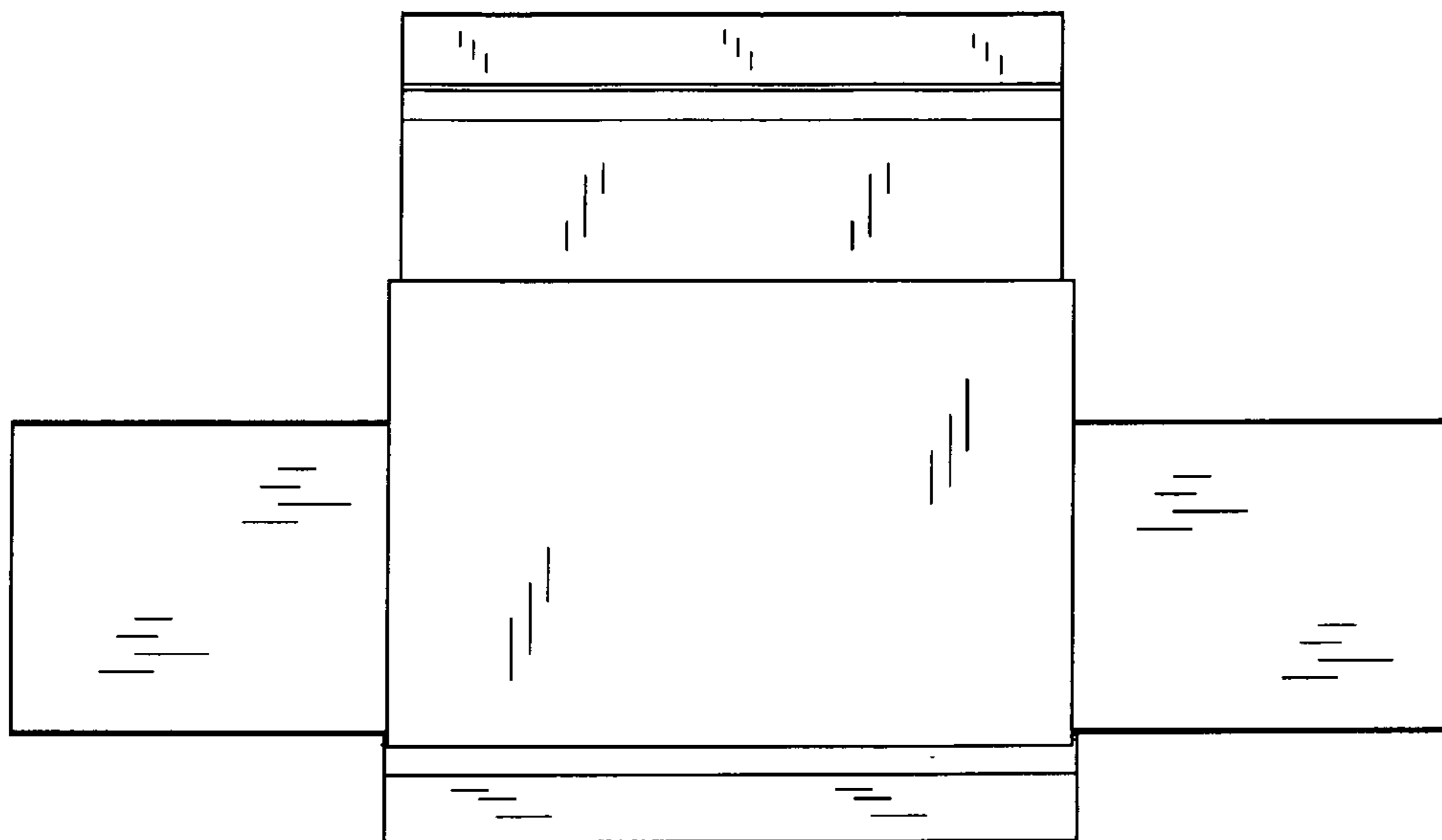


FIG. 14



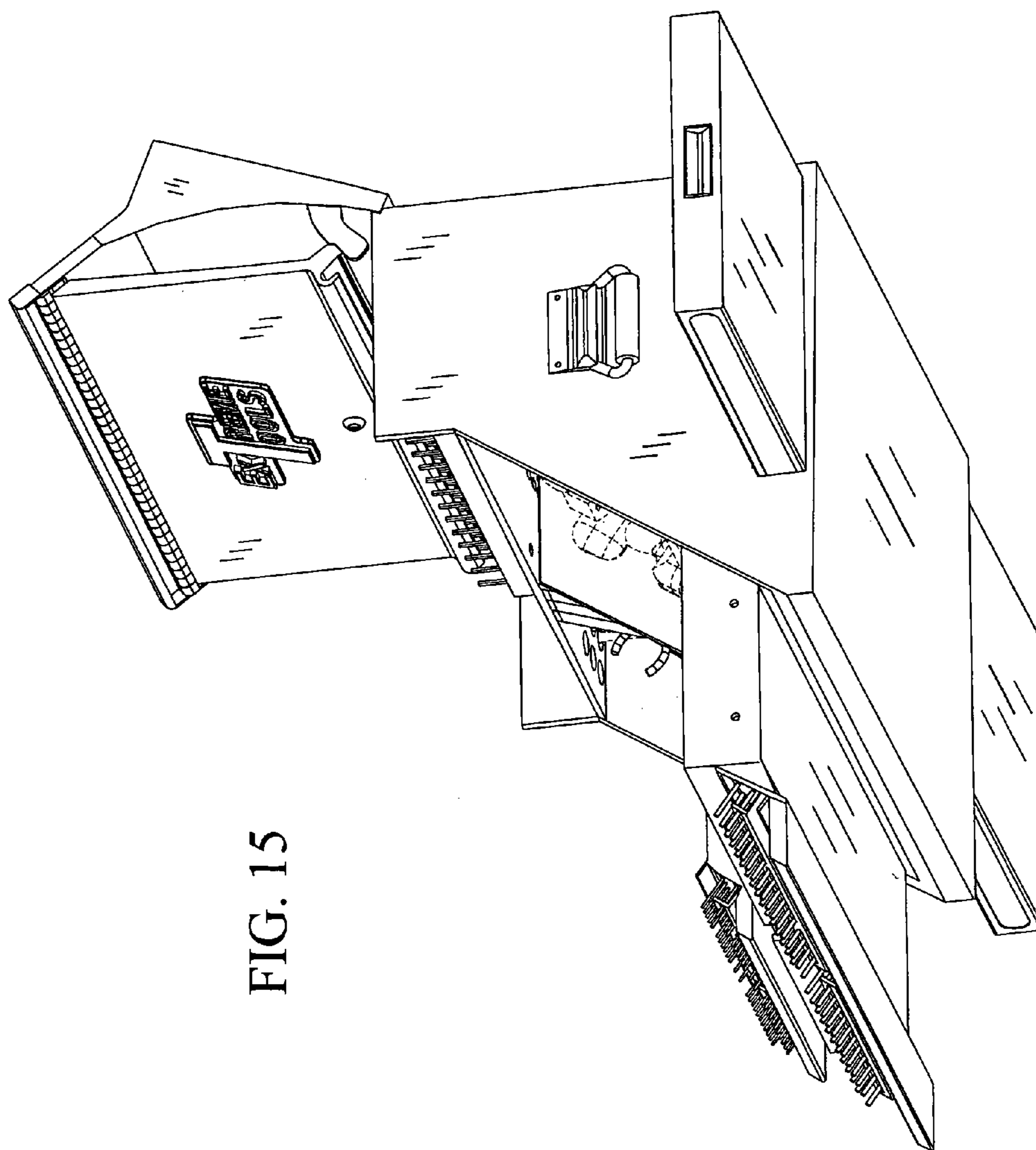


FIG. 15

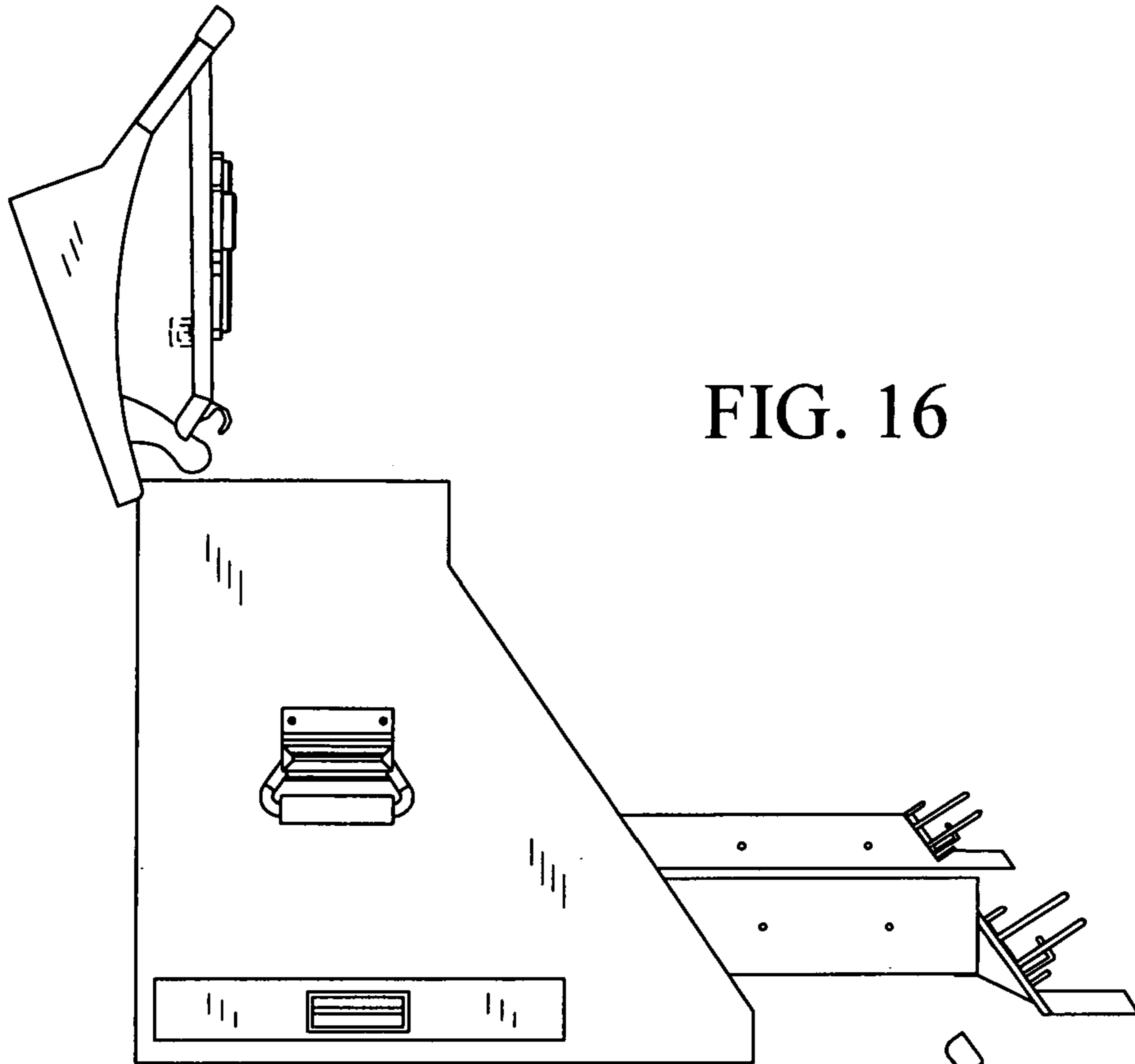


FIG. 16

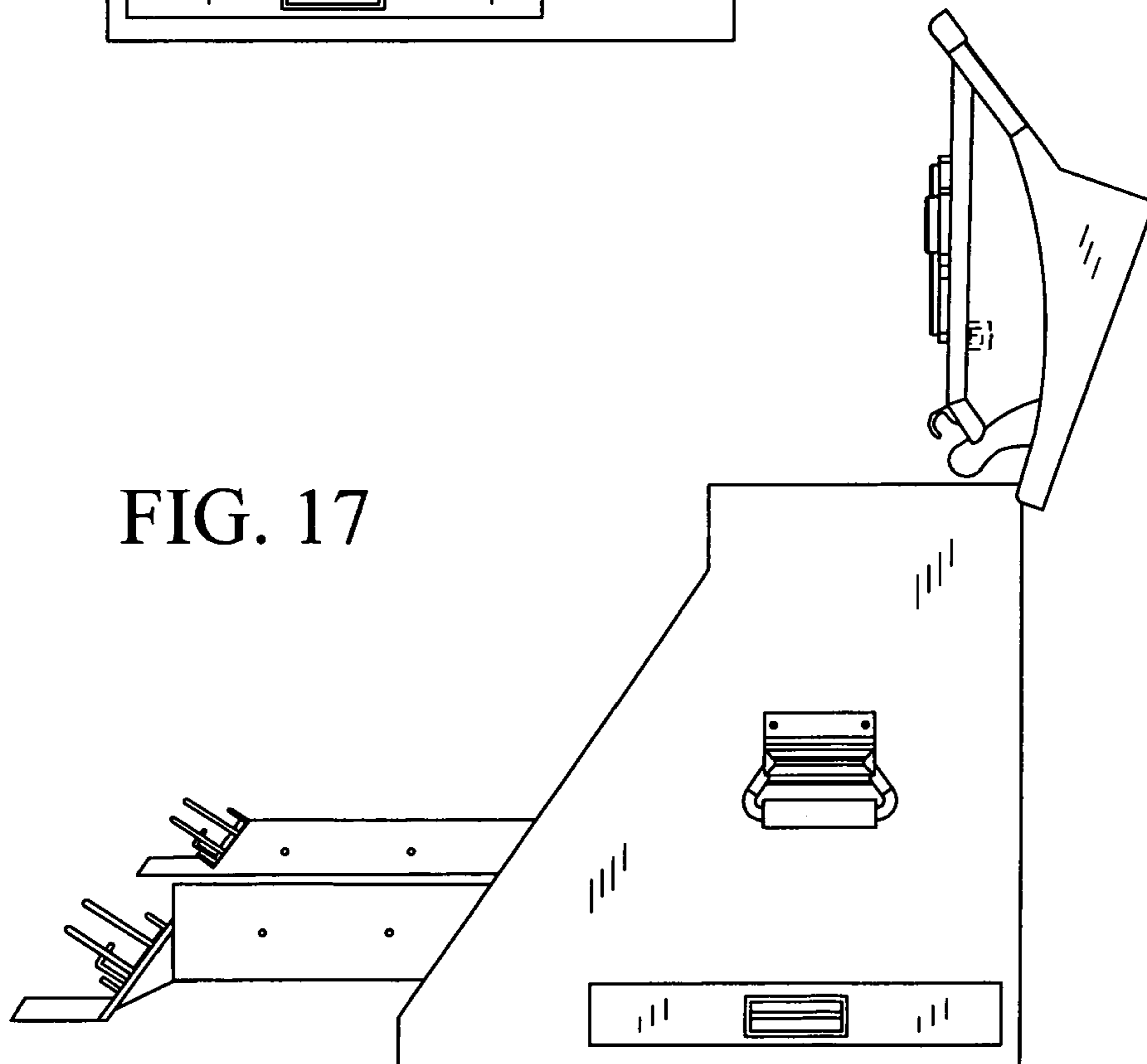


FIG. 17



FIG. 18

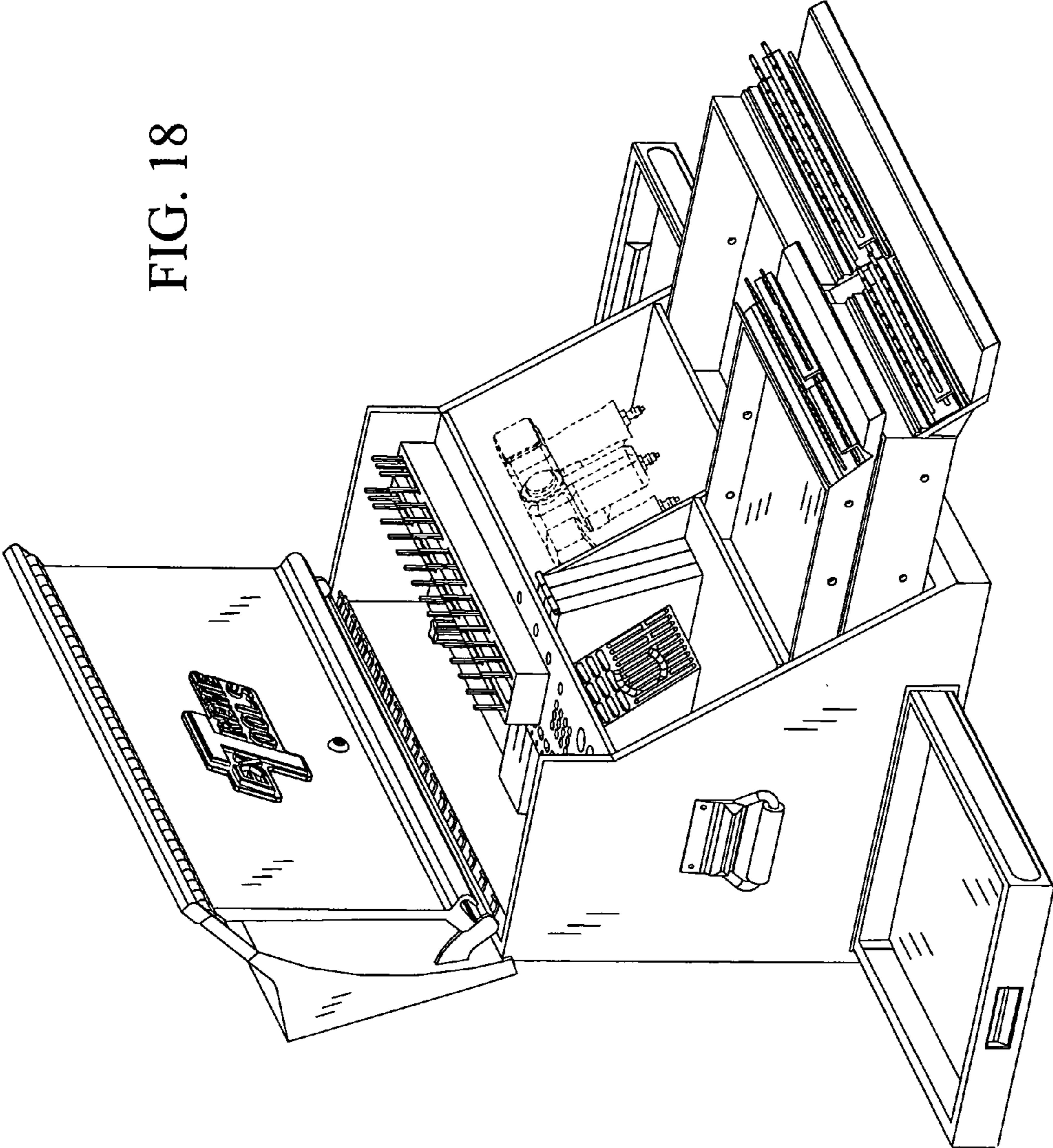


FIG. 19

