



US00D677931S

(12) **United States Design Patent**
Johnson

(10) **Patent No.:** **US D677,931 S**
(45) **Date of Patent:** **** Mar. 19, 2013**

- (54) **PROTECTIVE CD/DVD COVER**
- (75) Inventor: **Lisa Michelle Johnson**, Orlando, FL
(US)
- (73) Assignee: **Lisa Johnson**, Brampton, ON
- (**) Term: **14 Years**
- (21) Appl. No.: **29/331,695**
- (22) Filed: **Jan. 30, 2009**
- (51) **LOC (9) Cl.** **06-06**
- (52) **U.S. Cl.** **D6/407**
- (58) **Field of Classification Search** D6/407,
D6/626-635; 206/307, 307.1, 308.1, 309,
206/311, 312-313, 310; 211/40, 41.1, 41.2;
D9/428, 547

See application file for complete search history.

6,675,960	B2 *	1/2004	Innis	206/308.1
6,749,061	B2 *	6/2004	Clausen	206/308.1
6,804,823	B2 *	10/2004	Poole et al.	720/725
D500,504	S *	1/2005	Boissonneault et al.	D14/478
D505,680	S *	5/2005	Boissonneault et al.	D14/478
6,901,600	B2 *	5/2005	Liu	720/719
D507,001	S *	7/2005	Boissonneault et al.	D14/478
D517,851	S *	3/2006	Deitzler	D6/632
D518,676	S *	4/2006	Lee et al.	D6/634
D547,092	S *	7/2007	Brown	D6/407
7,257,971	B2 *	8/2007	Lax et al.	70/57.1
7,269,124	B2 *	9/2007	Downs	369/291.1
7,409,698	B2 *	8/2008	Tjensvold et al.	720/719
D587,481	S *	3/2009	Martinez et al.	D6/407
D589,737	S *	4/2009	Wang	D6/632
D642,004	S *	7/2011	Lau	D6/634
D649,388	S *	11/2011	Marriott et al.	D6/626

* cited by examiner

Primary Examiner — Kelley Donnelly

(57) **CLAIM**
The ornamental design for a protective CD/DVD cover, as shown and described.

(56) **References Cited**

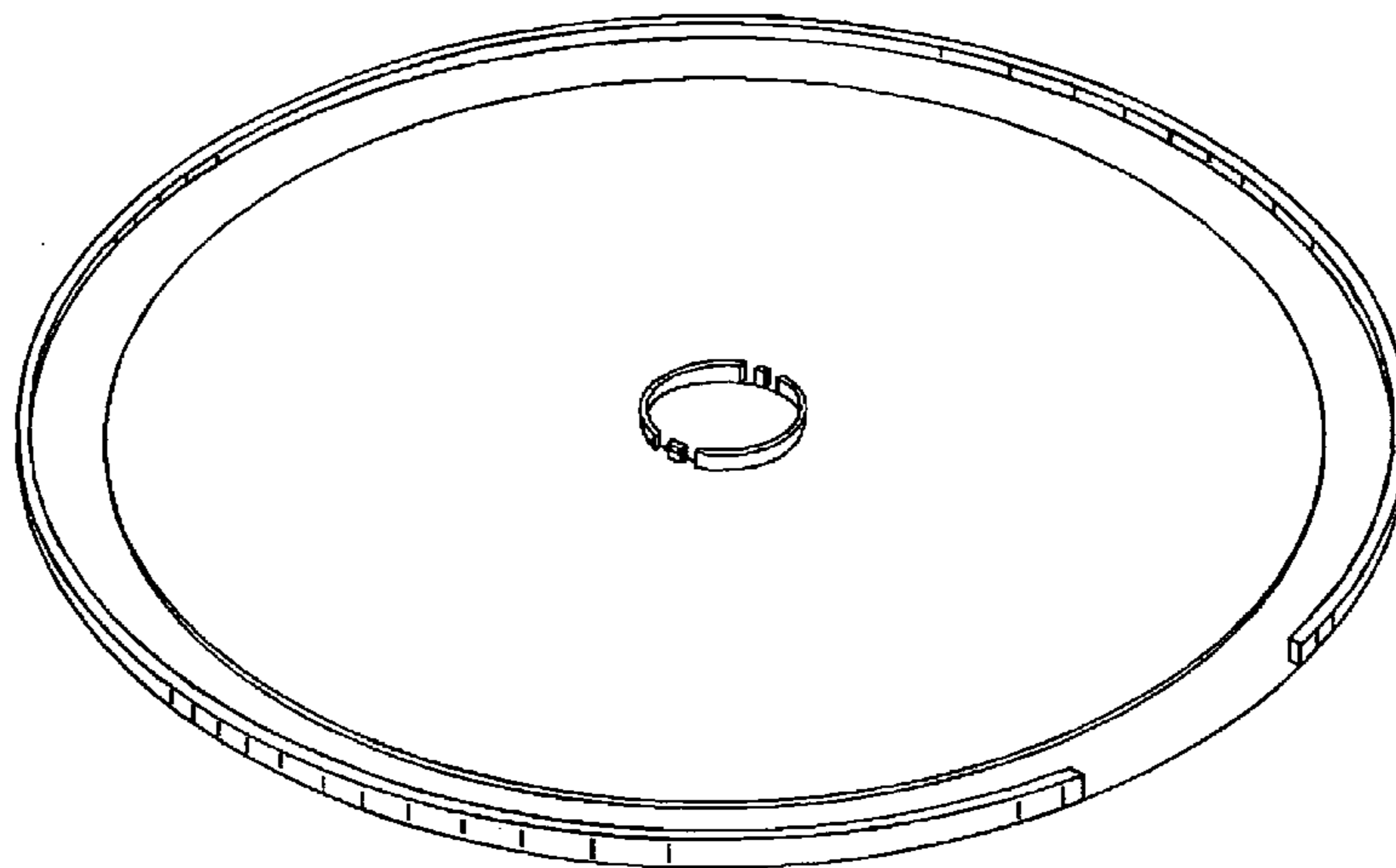
U.S. PATENT DOCUMENTS

D248,753	S *	8/1978	Pulse	D14/478
4,316,281	A *	2/1982	Prusak	369/272.1
5,299,186	A *	3/1994	Tsurushima	206/308.1
D351,963	S *	11/1994	Lim	D6/631
5,477,960	A *	12/1995	Chen	206/308.1
5,757,765	A *	5/1998	Chen	720/719
D426,721	S *	6/2000	Benden et al.	D6/407
6,077,583	A *	6/2000	Park	428/64.1
6,085,900	A *	7/2000	Wong	206/308.1
6,123,192	A *	9/2000	Rufo, Jr.	206/310
D438,418	S *	3/2001	Myszka et al.	D6/634
6,250,461	B1 *	6/2001	Hu	206/310
D447,663	S *	9/2001	Myszka et al.	D6/634
D452,628	S *	1/2002	Stauffer	D6/632
6,415,918	B1 *	7/2002	Wong et al.	206/308.2
D469,622	S *	2/2003	Marsilio et al.	D6/407

DESCRIPTION

FIG. 1 is a perspective view of a protective CD/DVD cover showing my design;
FIG. 2 is the top plan view of the protective CD/DVD cover thereof;
FIG. 3 is a cross-sectional view of the protective CD/DVD cover taken through line 3-3 of FIG. 2 thereof;
FIG. 4 is a cross-sectional view and a detail view of FIG. 3 thereof;
FIG. 5 is a bottom plan view of FIG. 1 thereof;
FIG. 6 is a right side elevational view of FIG. 1 thereof; and,
FIG. 7 is a left side elevational view of FIG. 1 thereof.

1 Claim, 4 Drawing Sheets



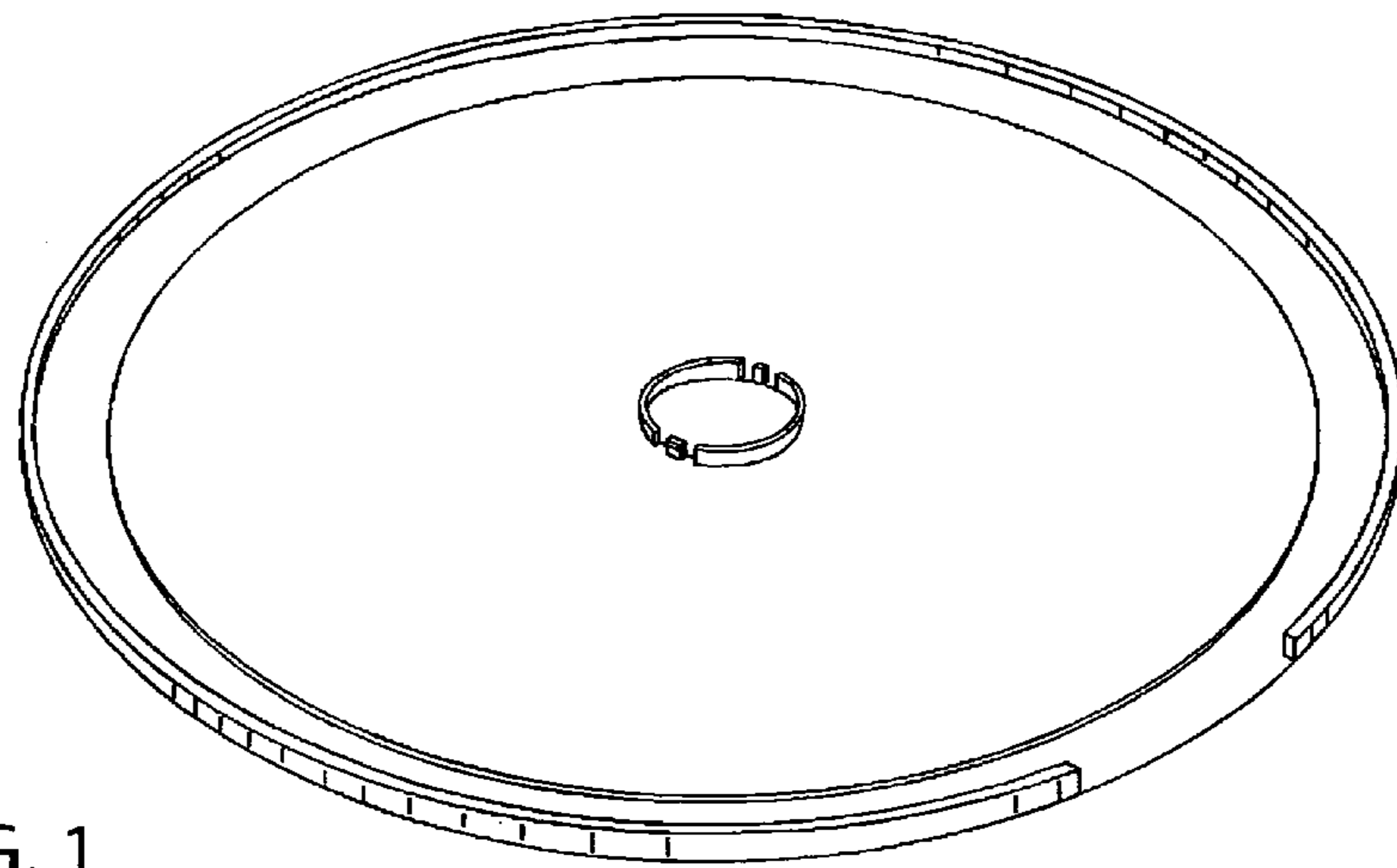


FIG. 1

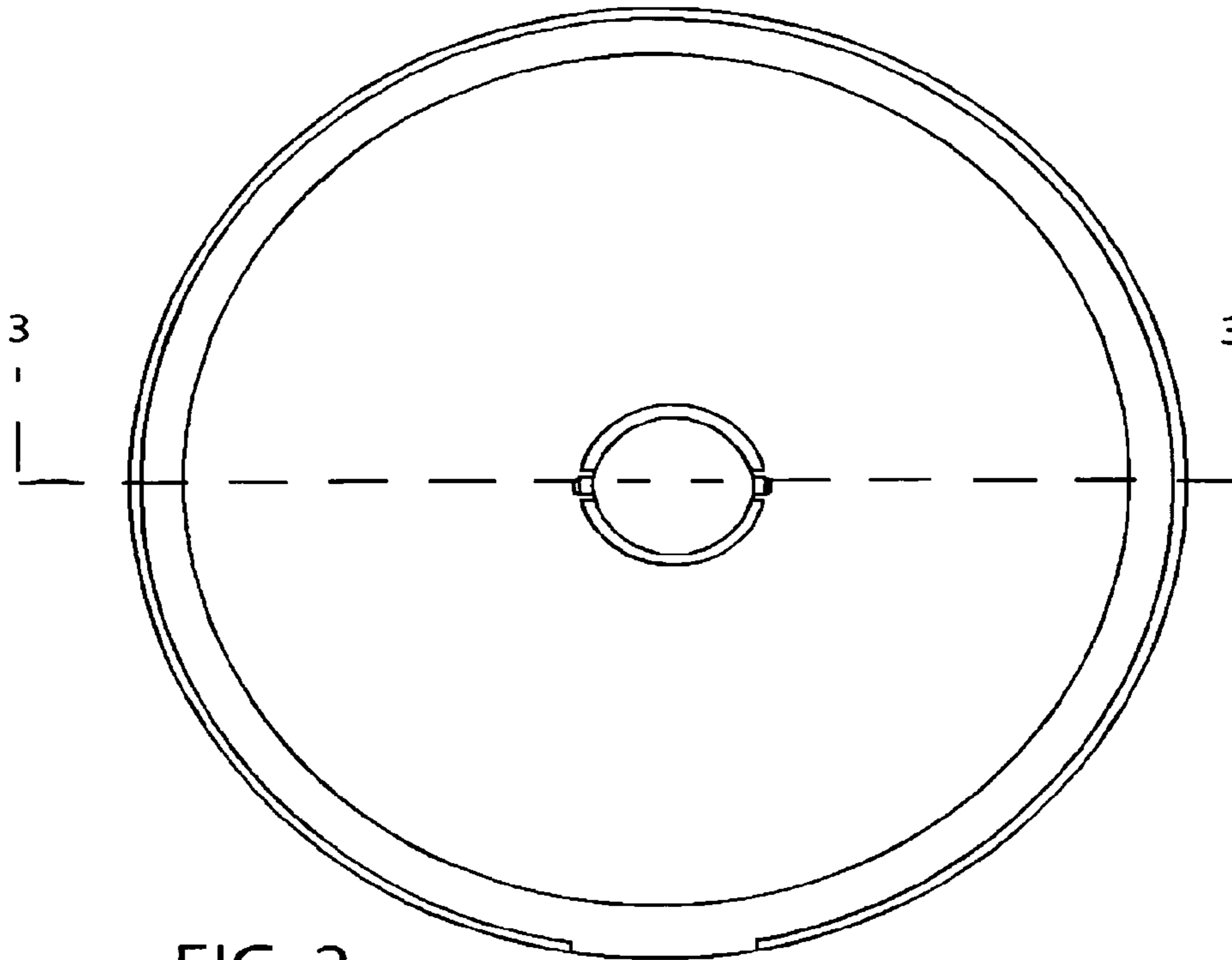


FIG. 2

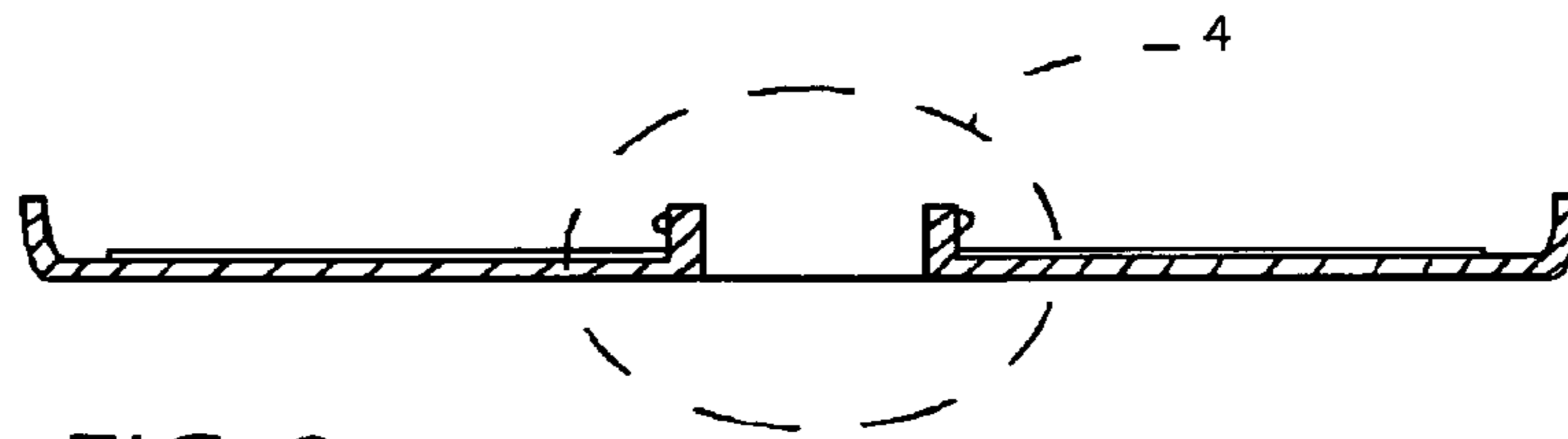


FIG. 3



FIG. 4

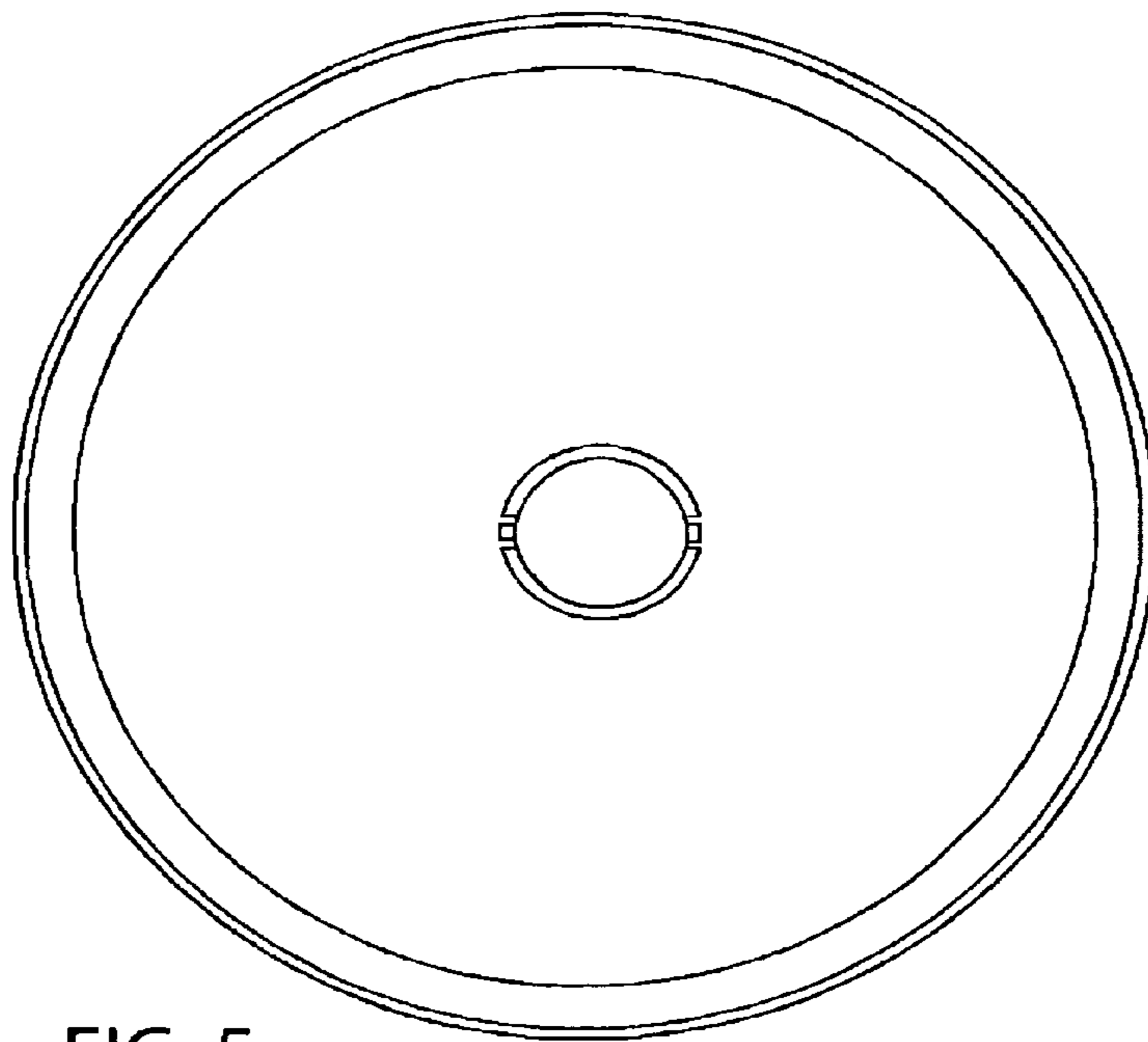


FIG. 5

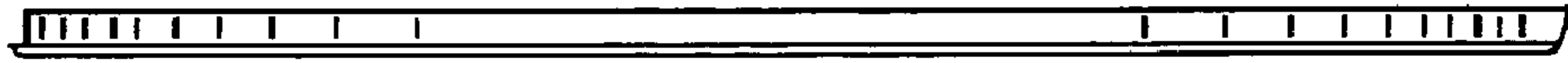


FIG. 6



FIG. 7