



US00D677925S

(12) **United States Design Patent**
Banda

(10) **Patent No.:** **US D677,925 S**
(45) **Date of Patent:** **** Mar. 19, 2013**

- (54) **FURNITURE**
 - (75) Inventor: **Andrea Banda**, Baldwyn, MS (US)
 - (73) Assignee: **H.M. Richards, Inc.**, Baldwyn, MS (US)
 - (**) Term: **14 Years**
 - (21) Appl. No.: **29/405,177**
 - (22) Filed: **Oct. 31, 2011**
 - (51) **LOC (9) Cl.** **06-01**
 - (52) **U.S. Cl.** **D6/381**
 - (58) **Field of Classification Search** D6/334–338, D6/349, 355, 361, 368–370, 376, 379–381, D6/492, 500–502; 297/16.1, 42, 94, 135, 297/175, 232, 233, 350, 351, 445.1, 448.1, 297/448.2, 451.9; 5/12.1, 12.2
- See application file for complete search history.

(56) **References Cited**

U.S. PATENT DOCUMENTS

D368,377 S *	4/1996	Laslo	D6/334
D432,336 S *	10/2000	Gibson	D6/500
D464,816 S *	10/2002	Leib et al.	D6/335
D485,687 S *	1/2004	Natuzzi	D6/334
D495,153 S *	8/2004	Ricci	D6/334
D498,598 S *	11/2004	Schweikarth et al.	D6/334
D526,807 S *	8/2006	Natuzzi	D6/381
D527,539 S *	9/2006	Natuzzi	D6/381
D540,063 S *	4/2007	Natuzzi	D6/381
D544,246 S *	6/2007	Ricci	D6/381
D546,571 S *	7/2007	Ricci	D6/334
D550,474 S *	9/2007	Natuzzi	D6/381
D593,766 S *	6/2009	Natuzzi	D6/381

* cited by examiner

Primary Examiner — Sandra Snapp

(74) *Attorney, Agent, or Firm* — Jeremy A. Smith; John W. Smith T.; Bradley Arant Boult Cummings LLP

(57) **CLAIM**

The ornamental design for furniture, as shown and described.

DESCRIPTION

FIG. 1 shows a front perspective view of a first embodiment of the furniture.

FIG. 2 shows an alternate perspective view of the embodiment of the furniture shown in FIG. 1.

FIG. 3 shows a front view of the embodiment of the furniture shown in FIG. 1.

FIG. 4 shows a top view of the embodiment of the furniture shown in FIG. 1.

FIG. 5 shows a front perspective view of a second embodiment of the furniture.

FIG. 6 shows an alternate perspective view of the embodiment of the furniture shown in FIG. 5.

FIG. 7 shows a front view of the embodiment of the furniture shown in FIG. 5.

FIG. 8 shows a top view of the embodiment of the furniture shown in FIG. 5.

FIG. 9 shows a front perspective view of a third embodiment of the furniture.

FIG. 10 shows an alternate perspective view of the embodiment of the furniture shown in FIG. 9.

FIG. 11 shows a front view of the embodiment of the furniture shown in FIG. 9.

FIG. 12 shows a top view of the embodiment of the furniture shown in FIG. 9.

FIG. 13 shows a front perspective view of a fourth embodiment of the furniture.

FIG. 14 shows an alternate perspective view of the embodiment of the furniture shown in FIG. 13.

FIG. 15 shows a front view of the embodiment of the furniture shown in FIG. 13.

FIG. 16 shows a top view of the embodiment of the furniture shown in FIG. 13.

FIG. 17 shows a front perspective view of a fifth embodiment of the furniture.

FIG. 18 shows an alternate perspective view of the embodiment of the furniture shown in FIG. 17.

FIG. 19 shows a front view of the embodiment of the furniture shown in FIG. 17.

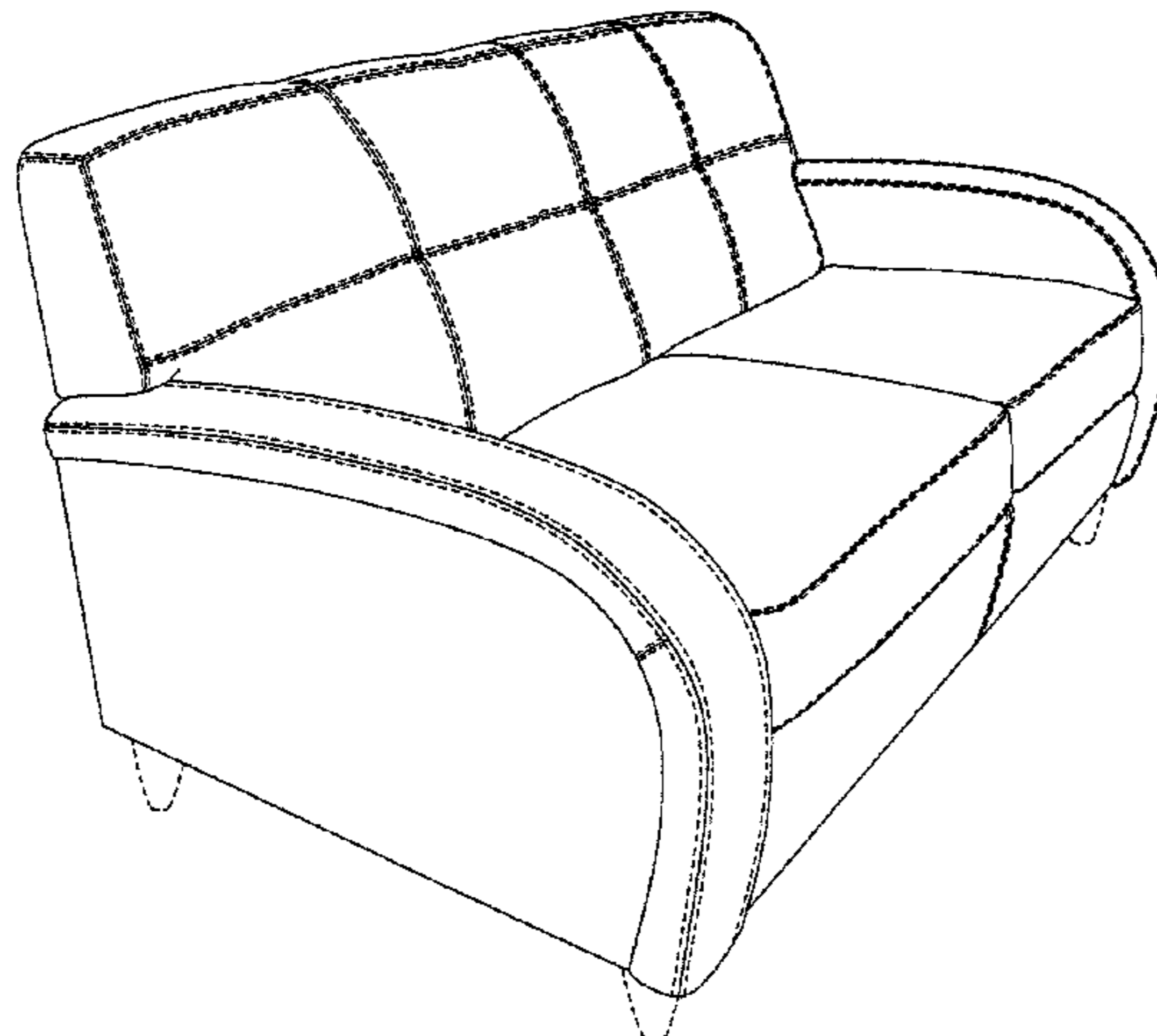
FIG. 20 shows a top view of the embodiment of the furniture shown in FIG. 17.

FIG. 21 shows a side view of the furniture; and,

FIG. 22 shows an alternate side view of the furniture.

The dashed lines shown in the drawings illustrate environmental structure and form no part of the claimed design.

1 Claim, 21 Drawing Sheets



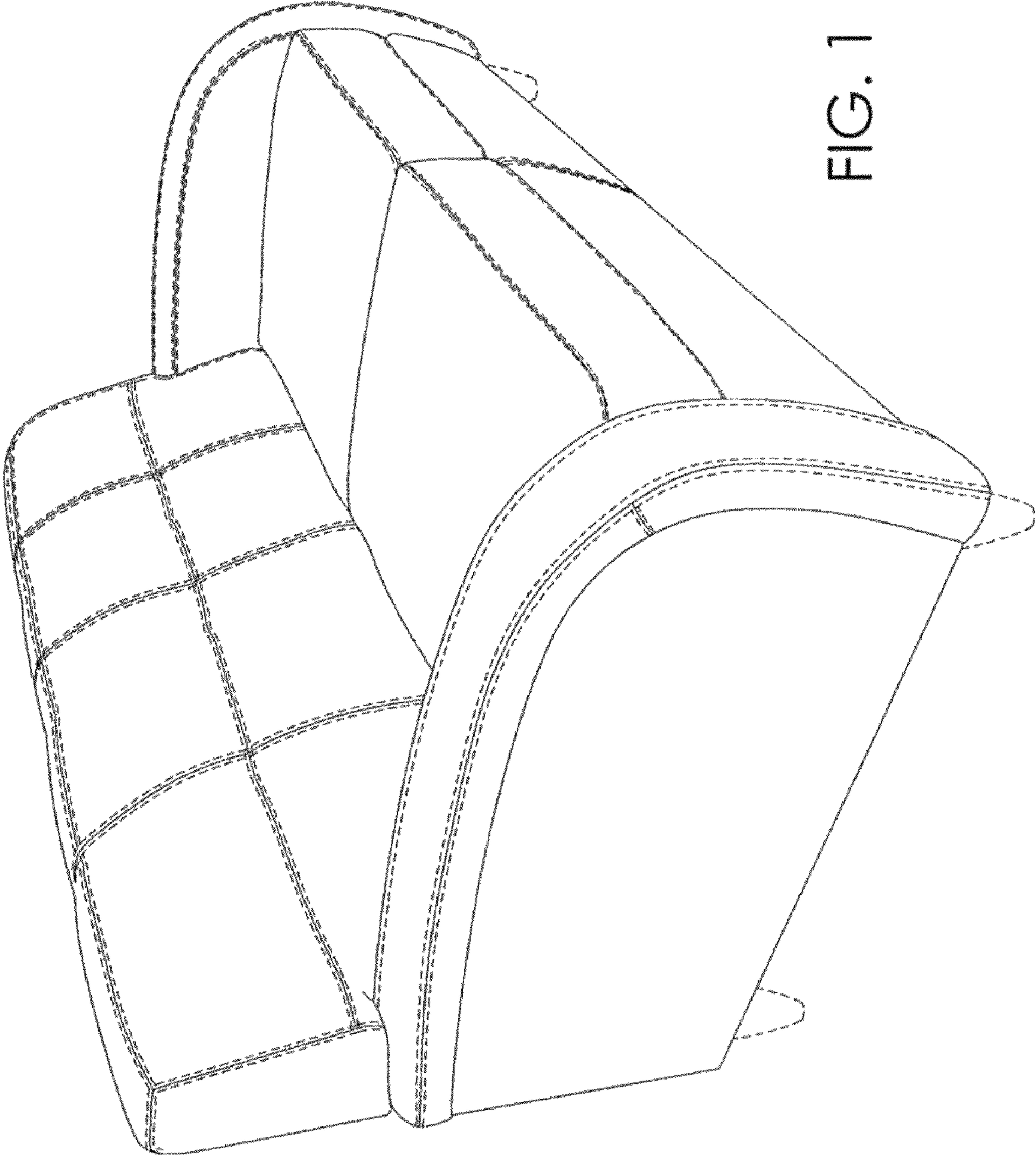


FIG. 1

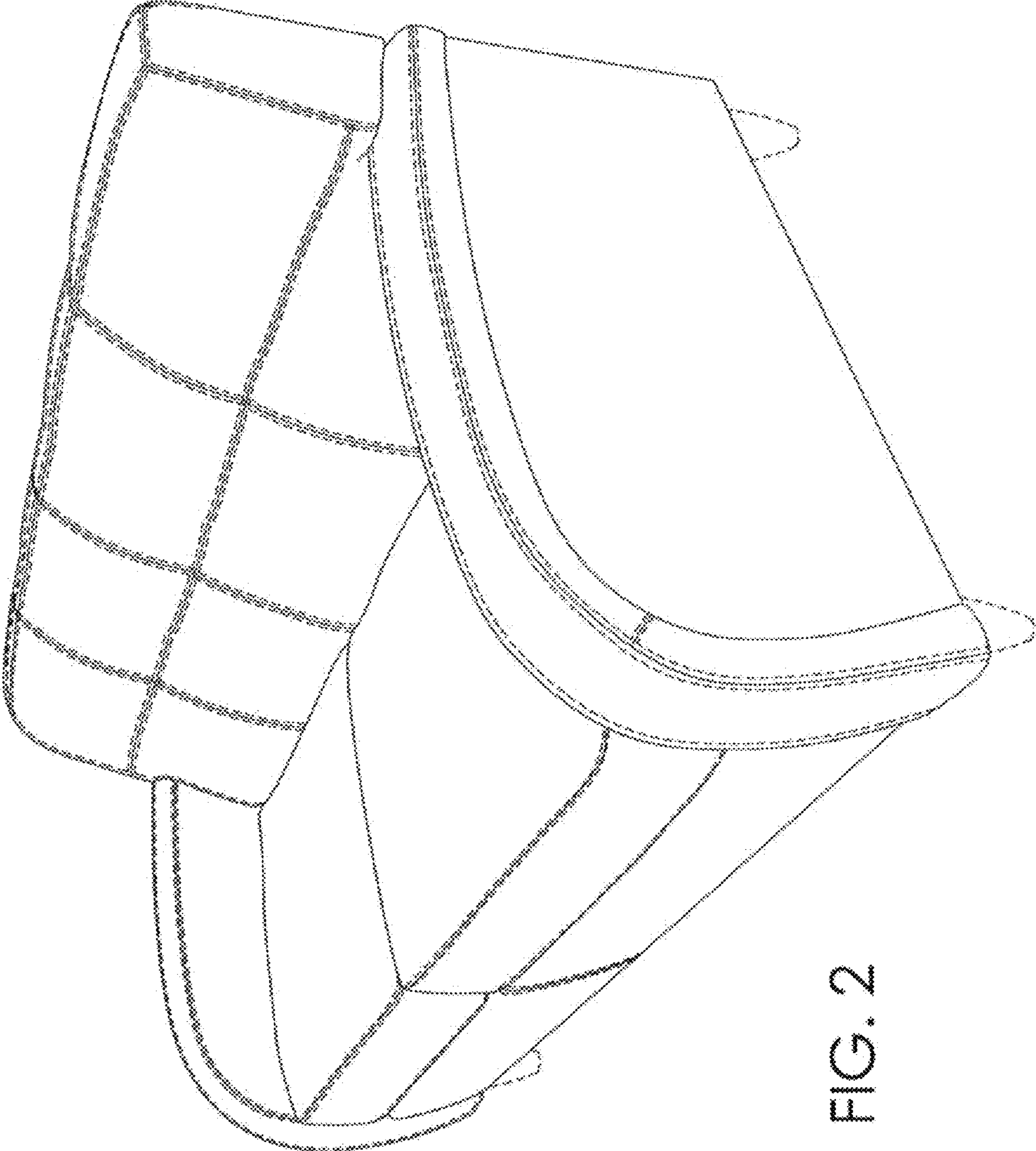


FIG. 2

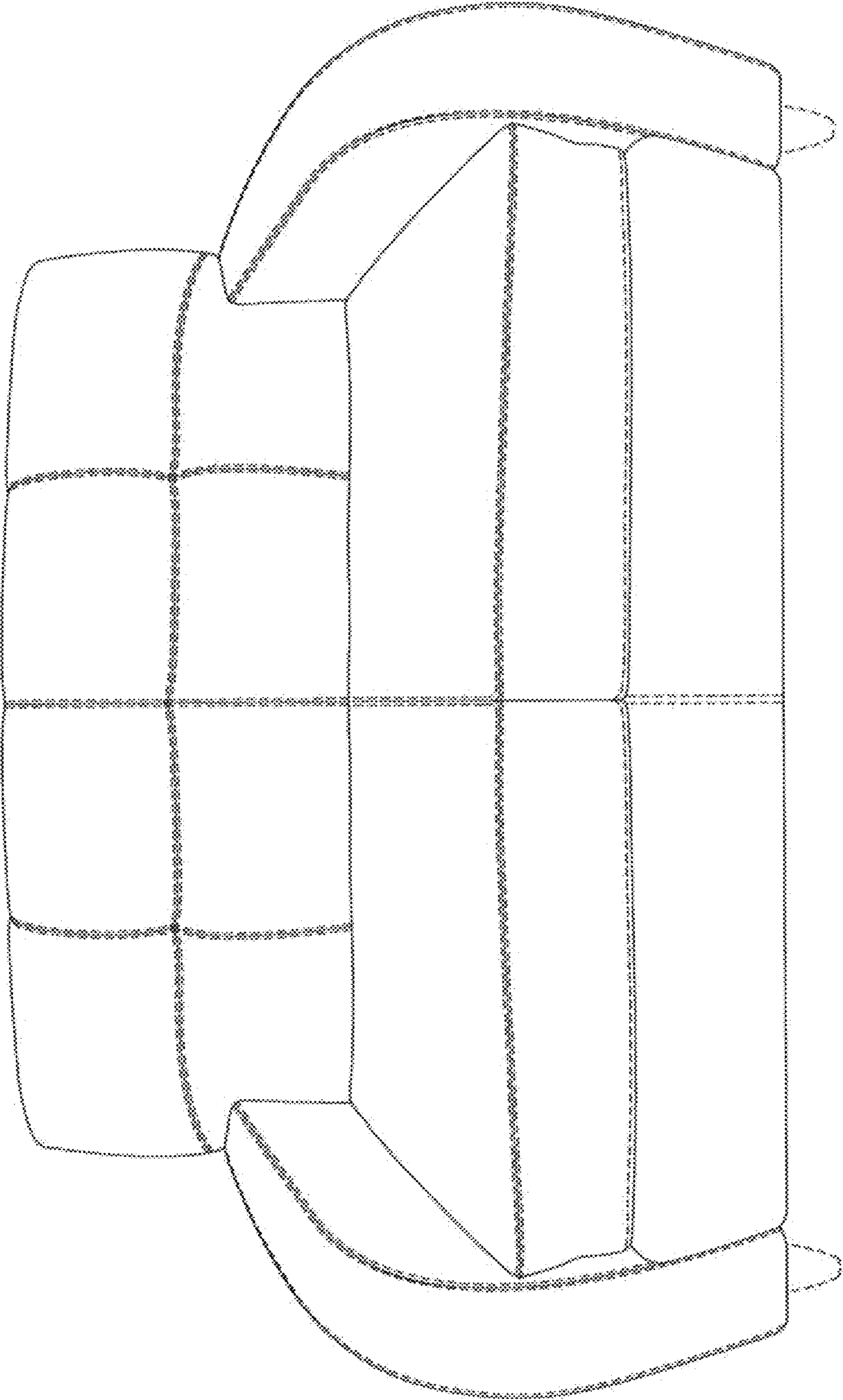


FIG. 3

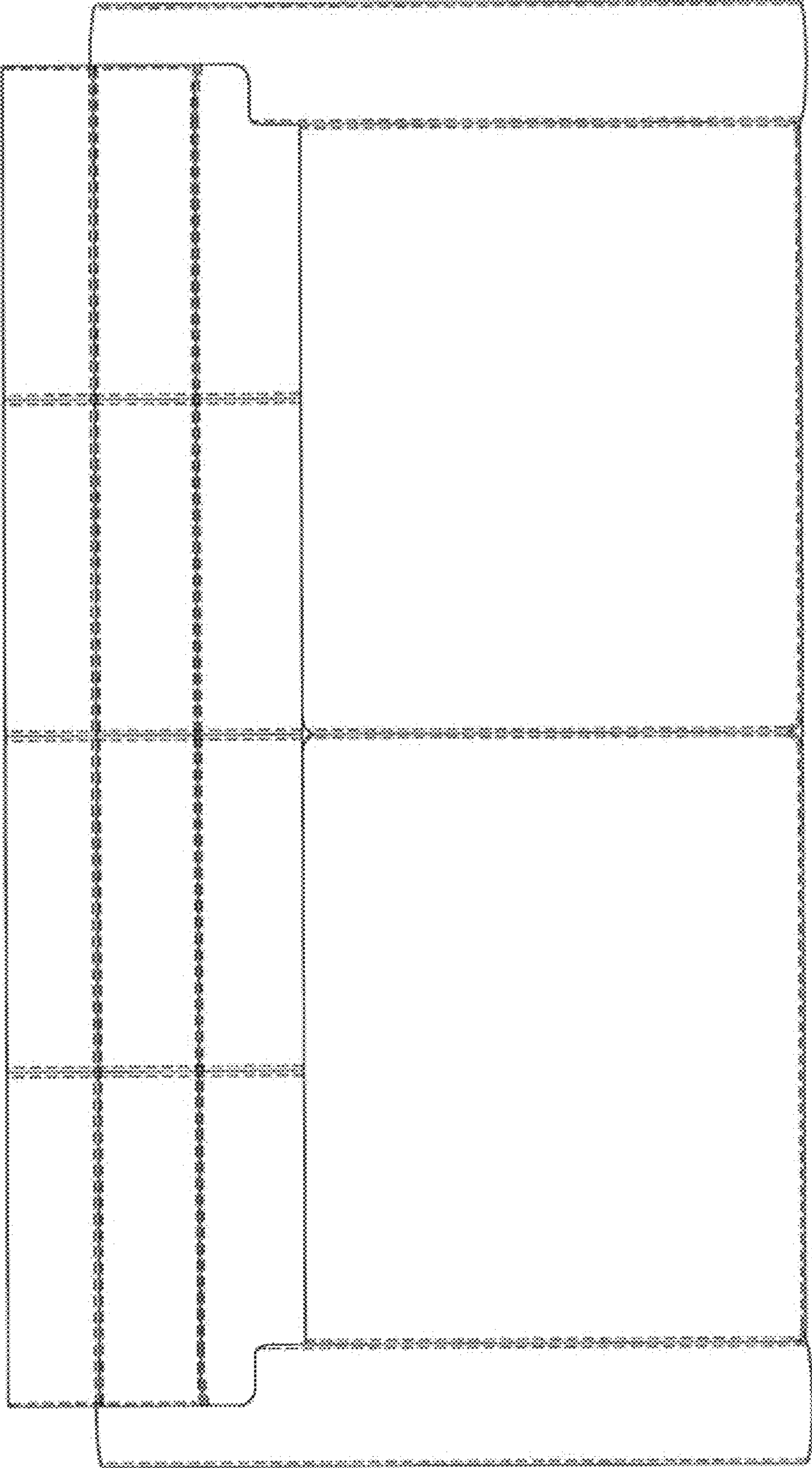


FIG. 4

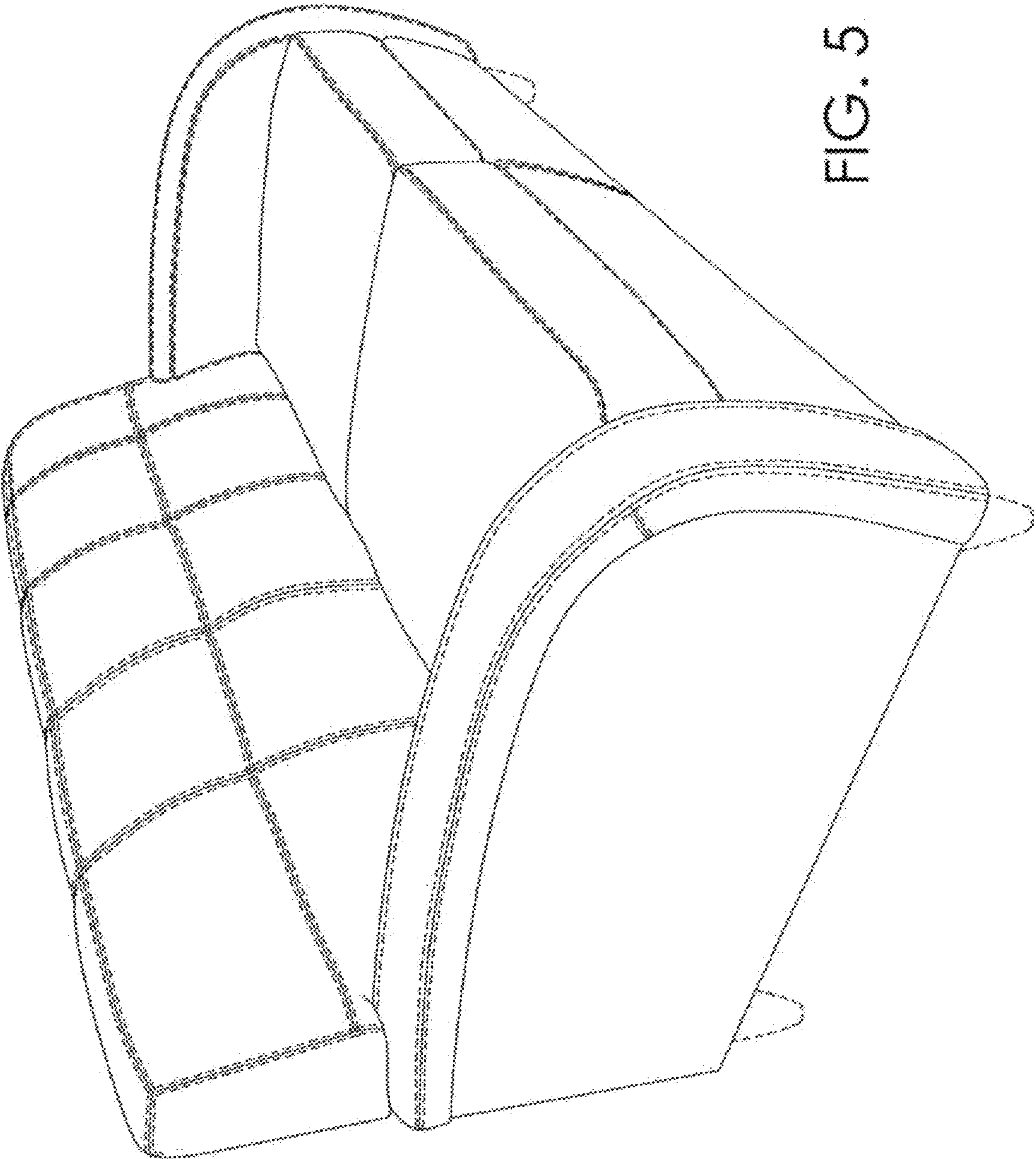


FIG. 5

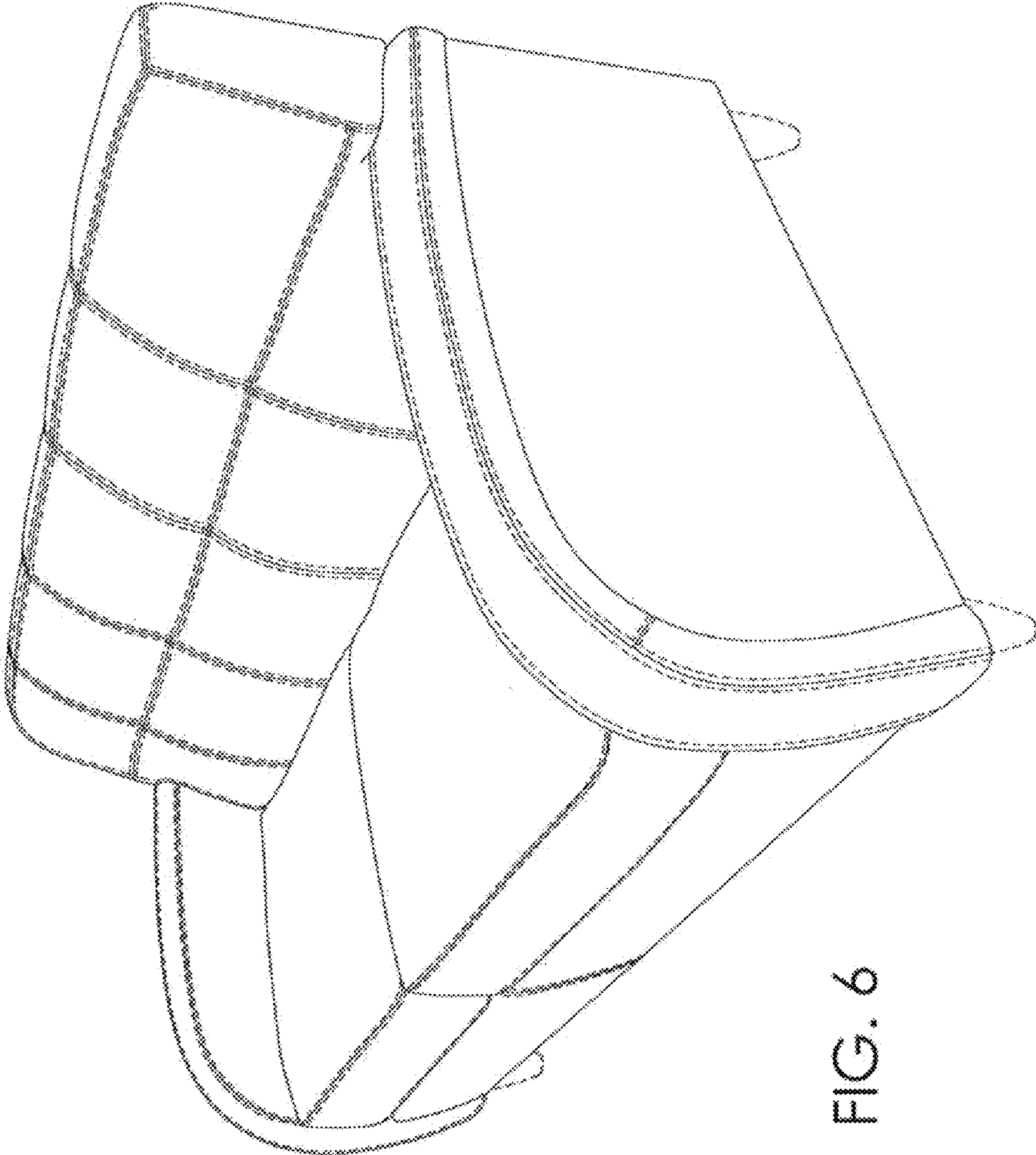


FIG. 6

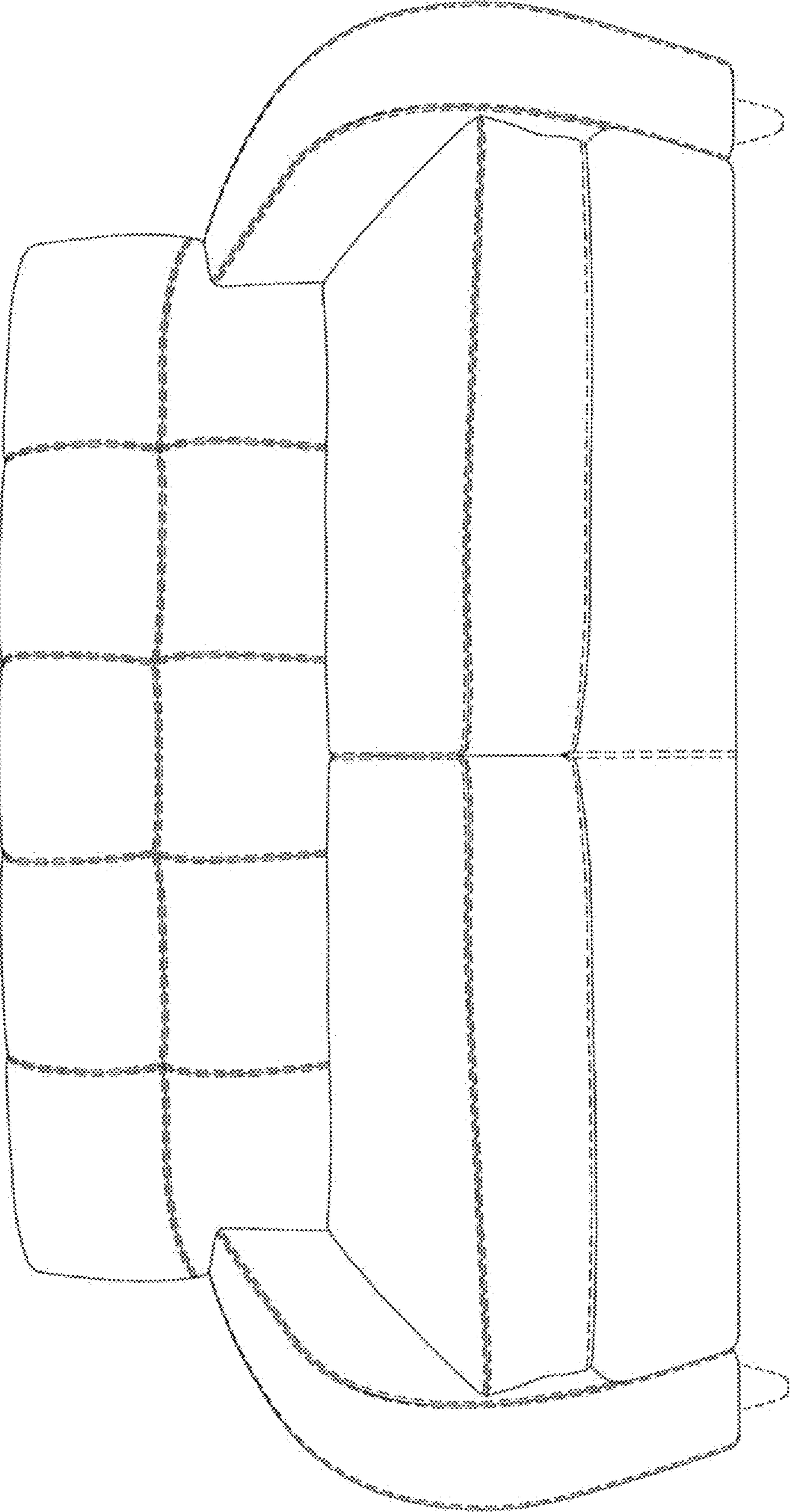


FIG. 7

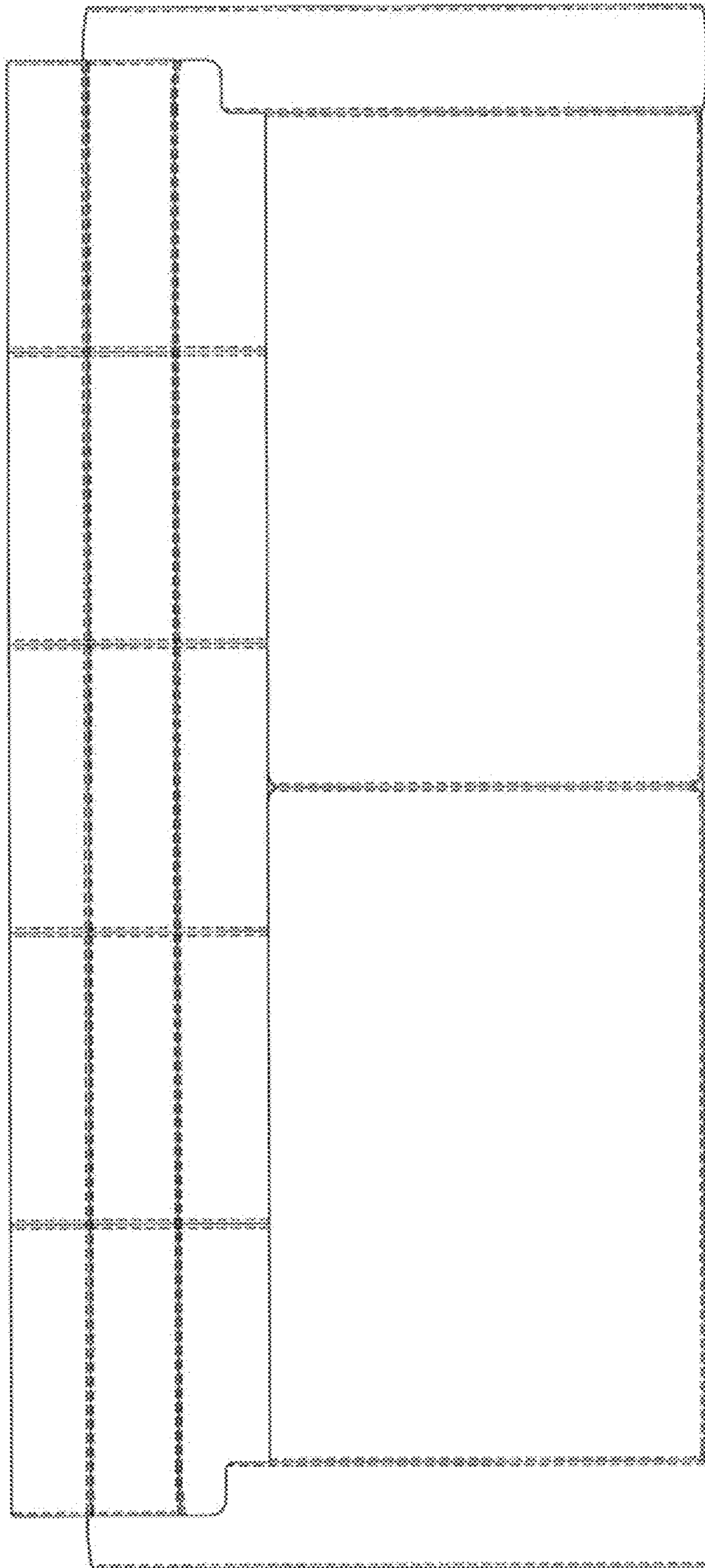


FIG. 8

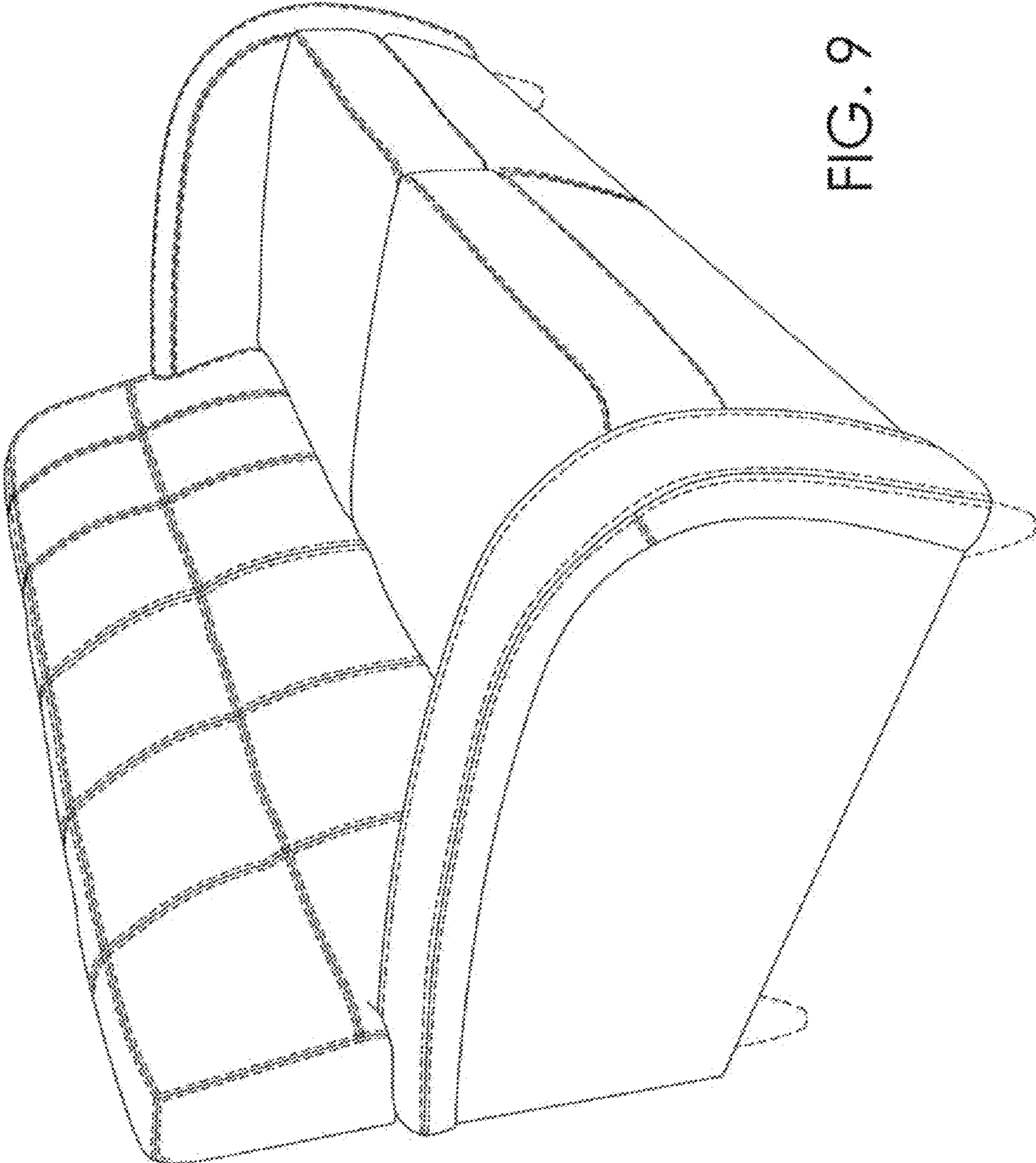


FIG. 9

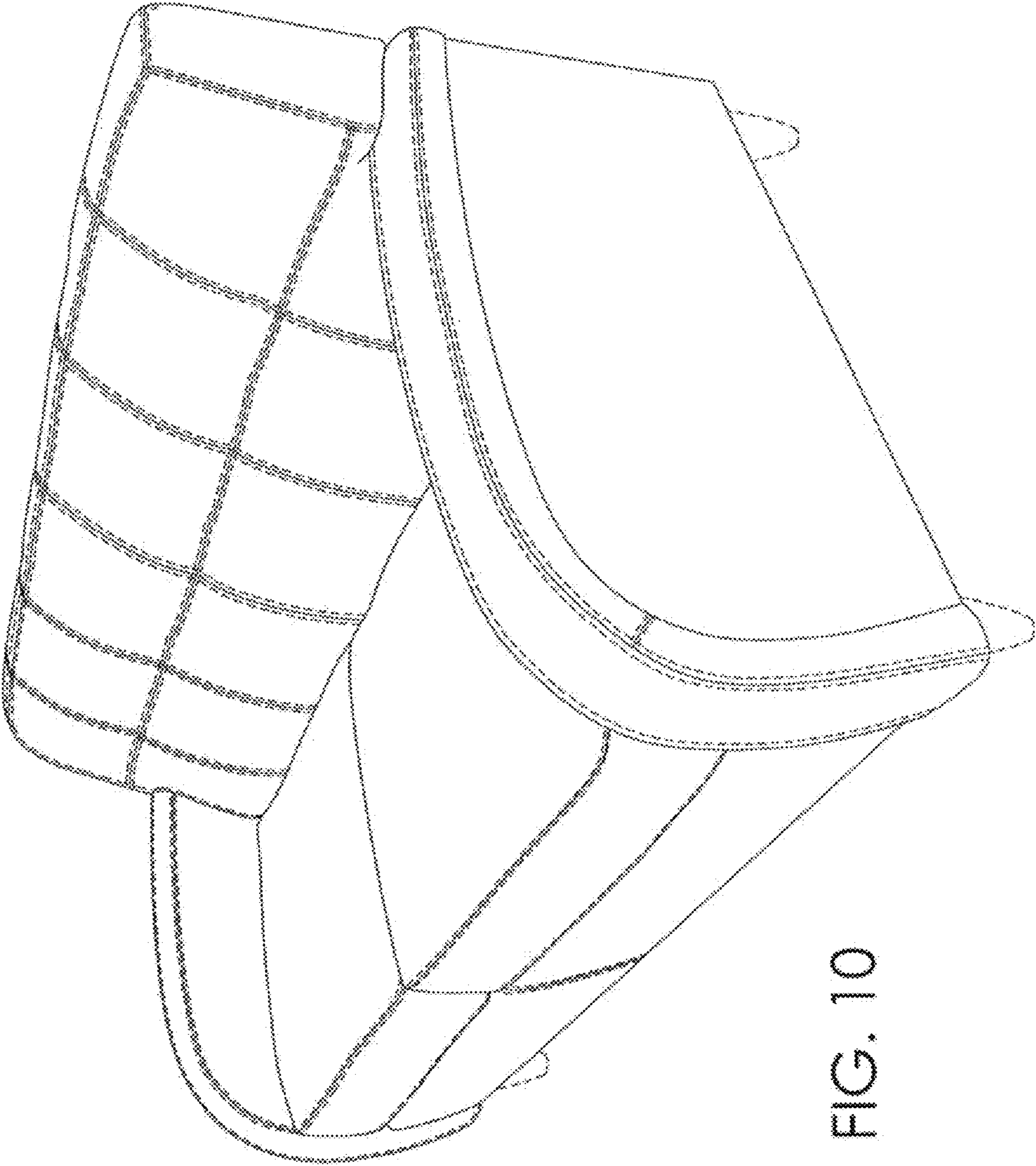


FIG. 10

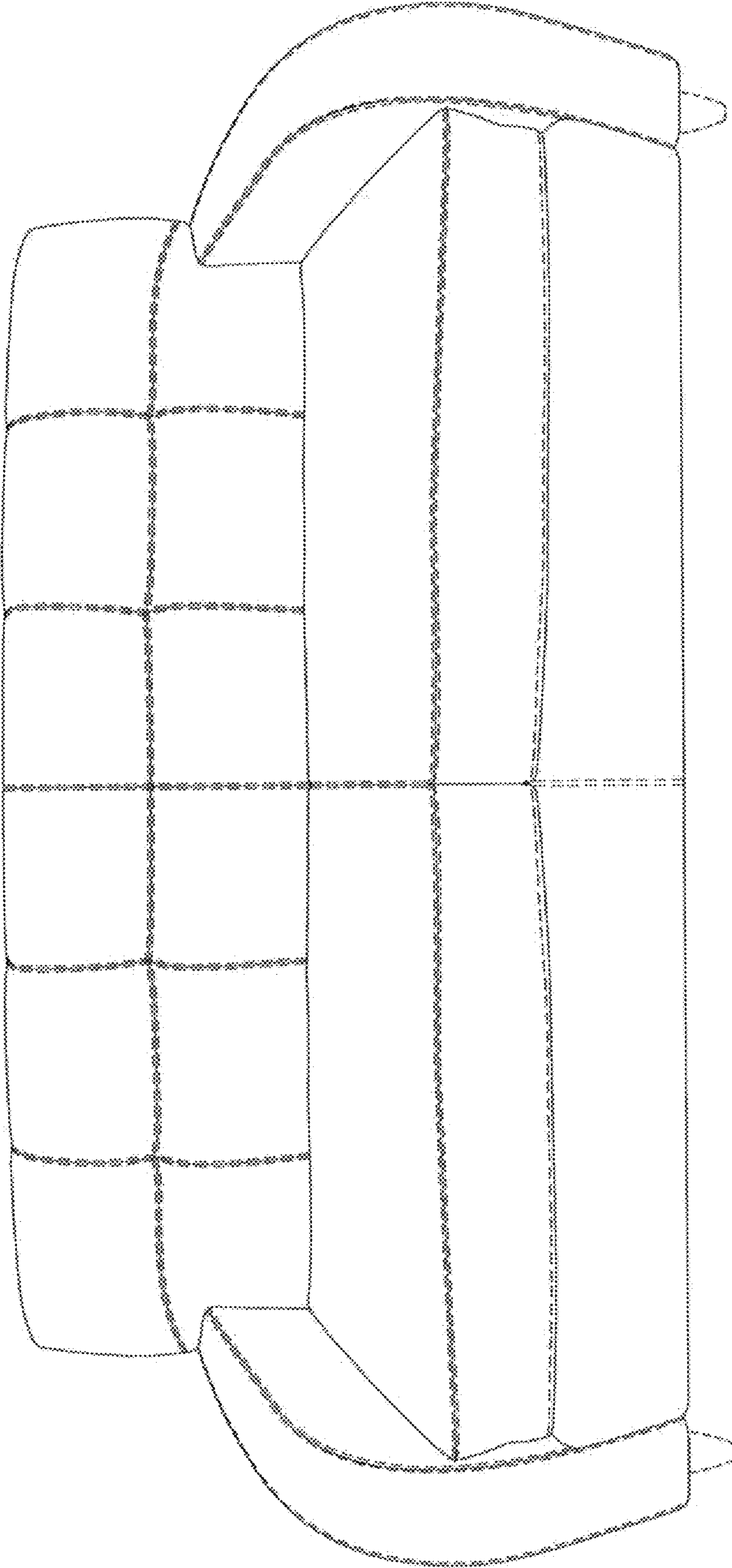


FIG. 11

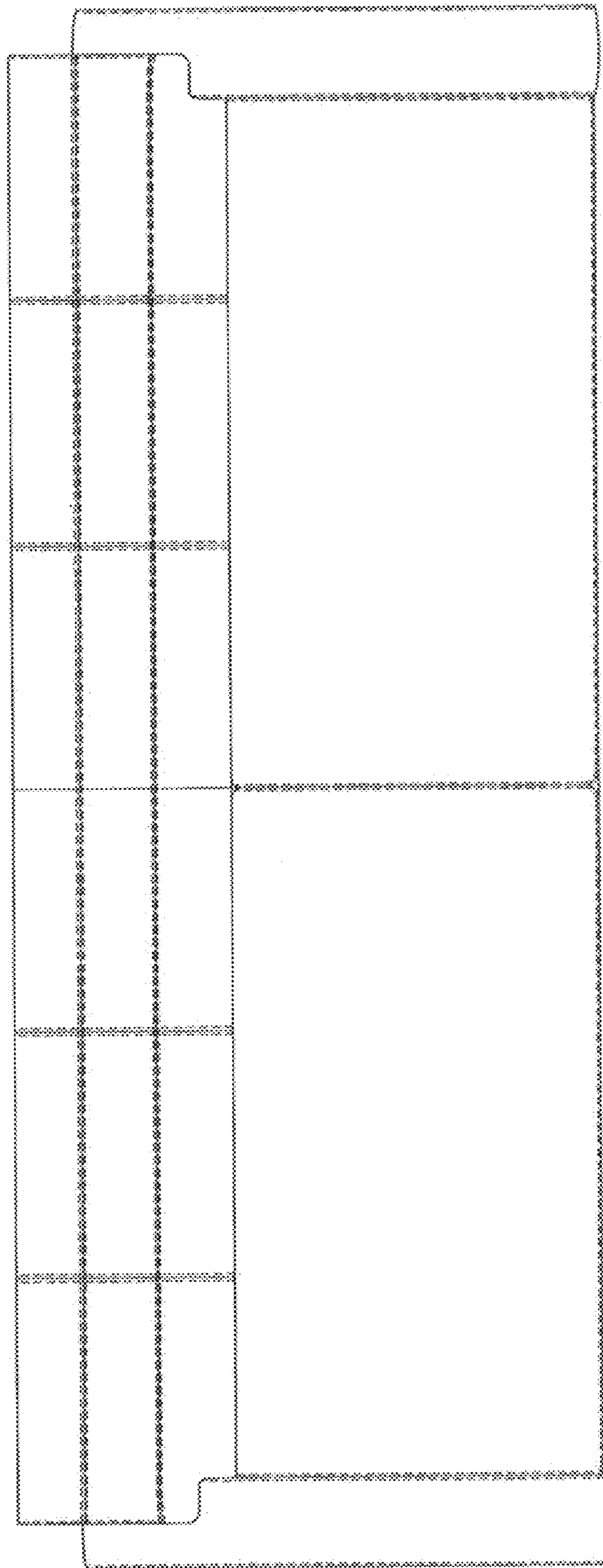


FIG. 12

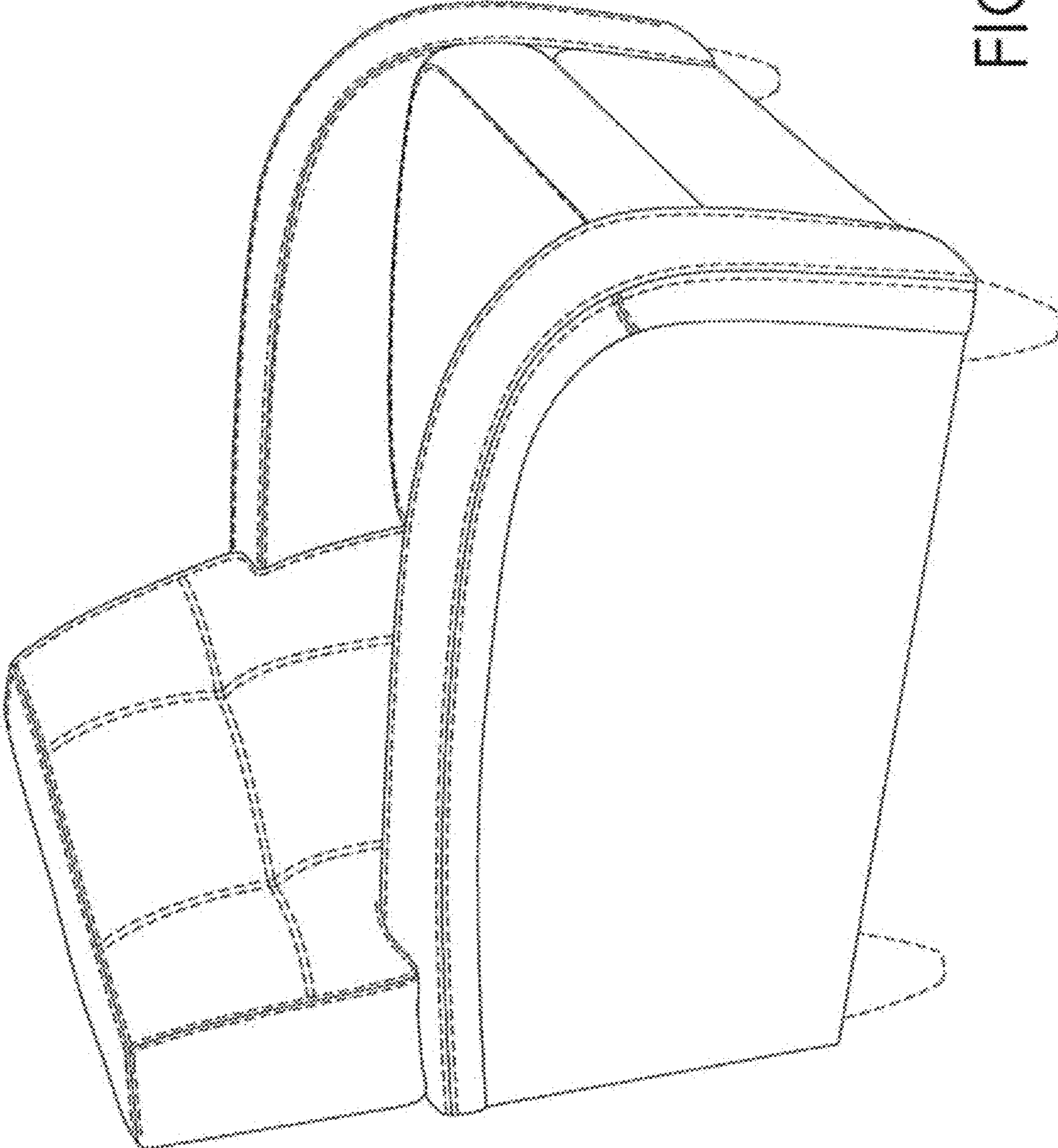


FIG. 13

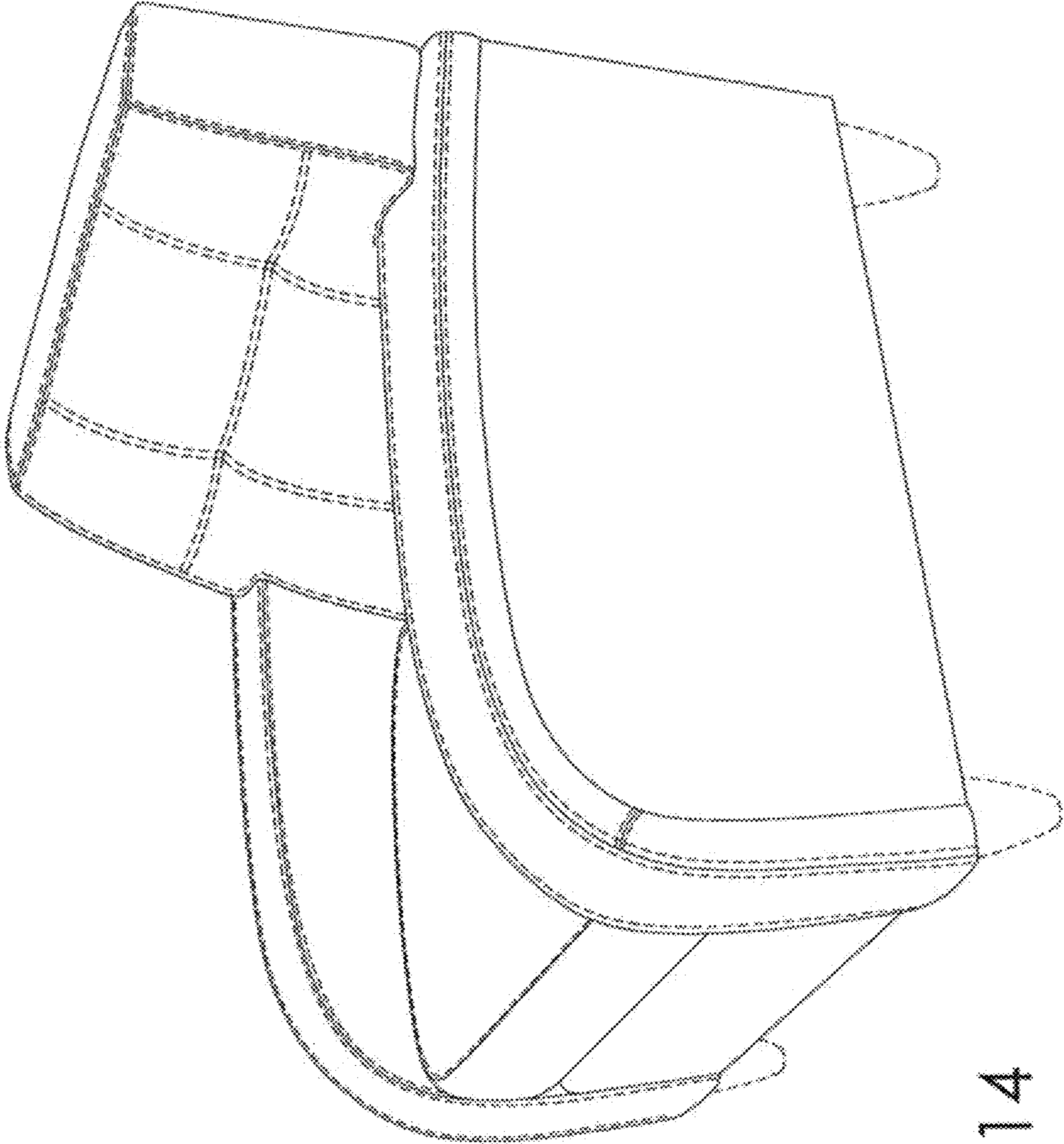


FIG. 14

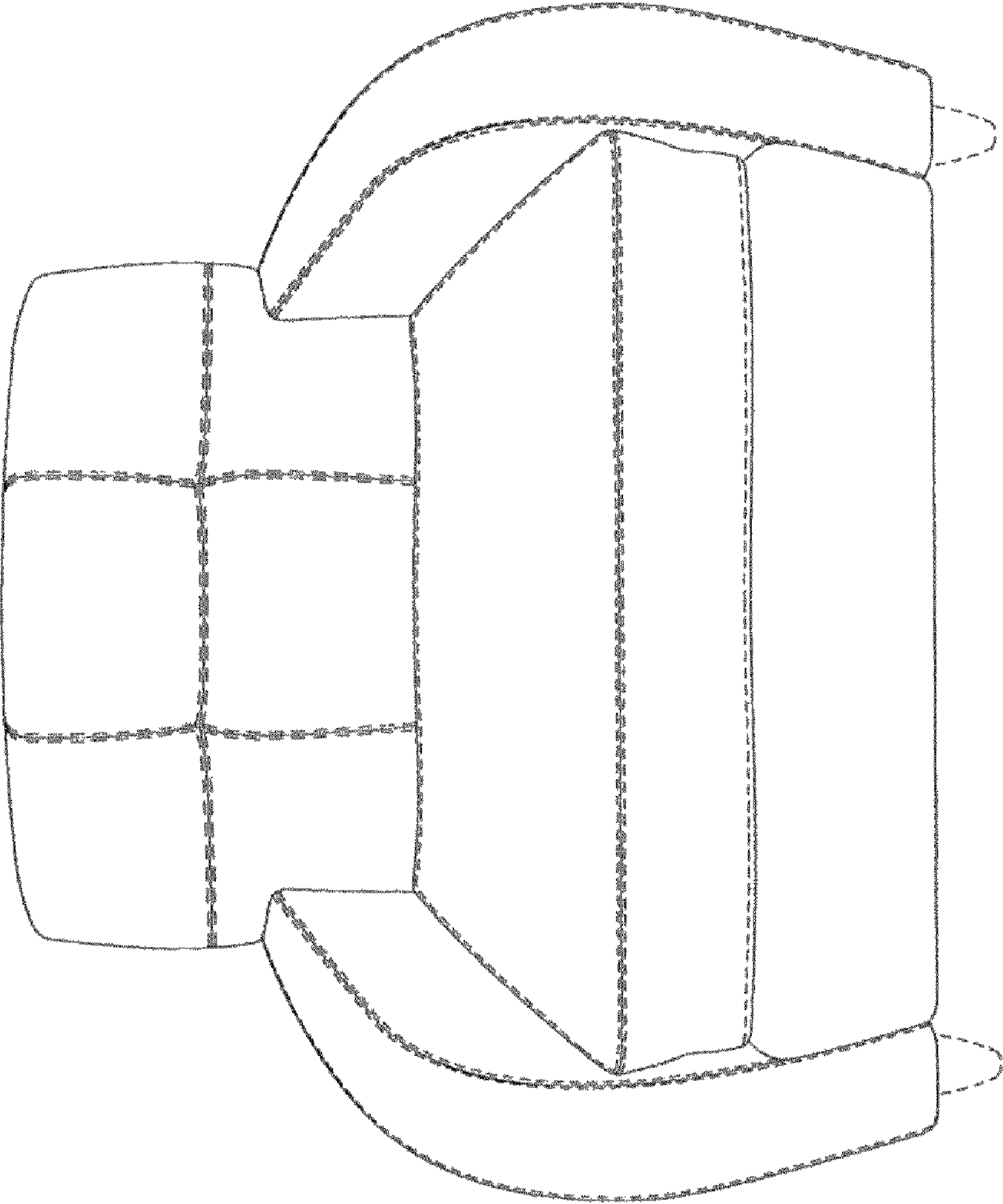


FIG. 15

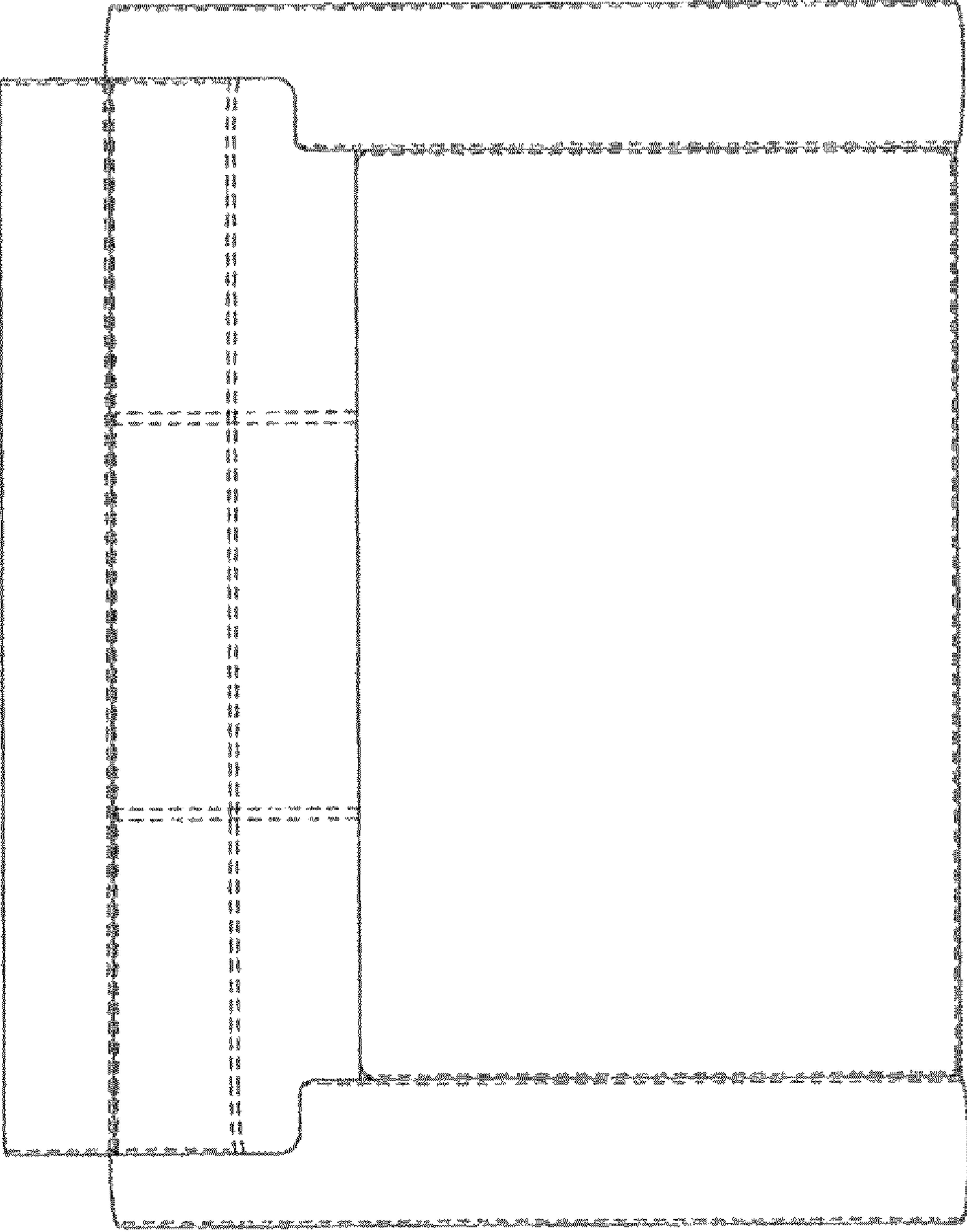


FIG. 16

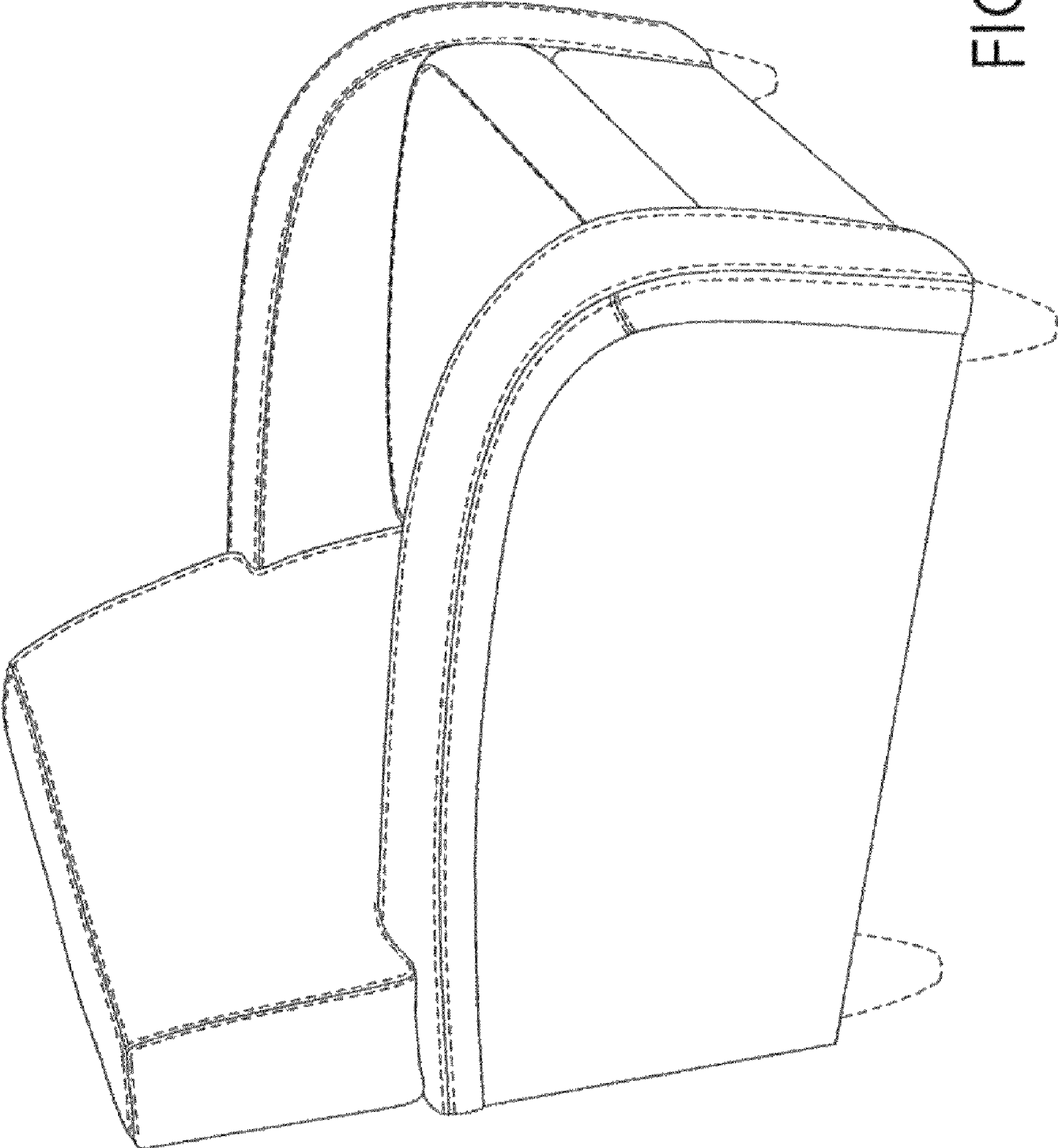


FIG. 17

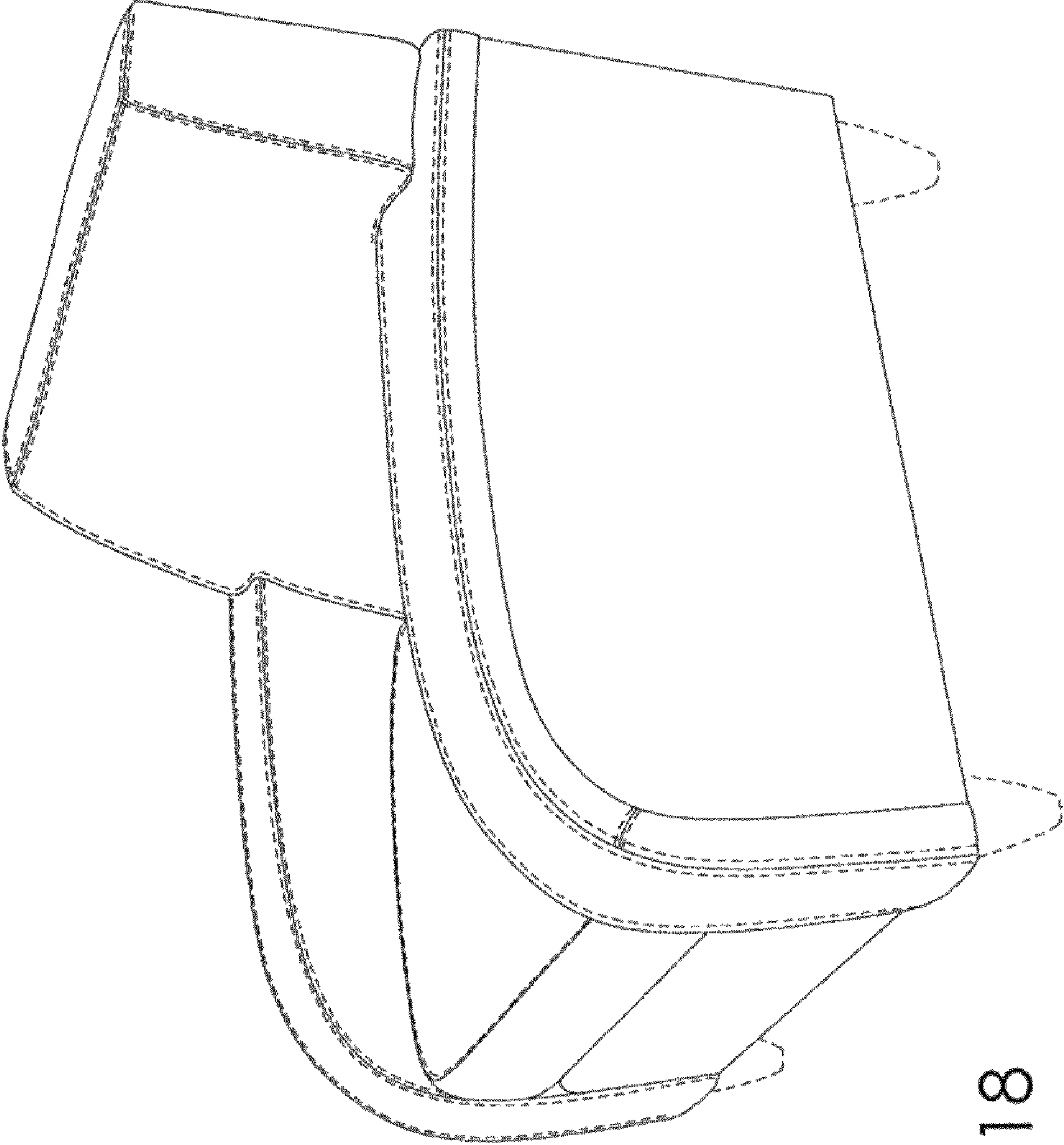


FIG. 18

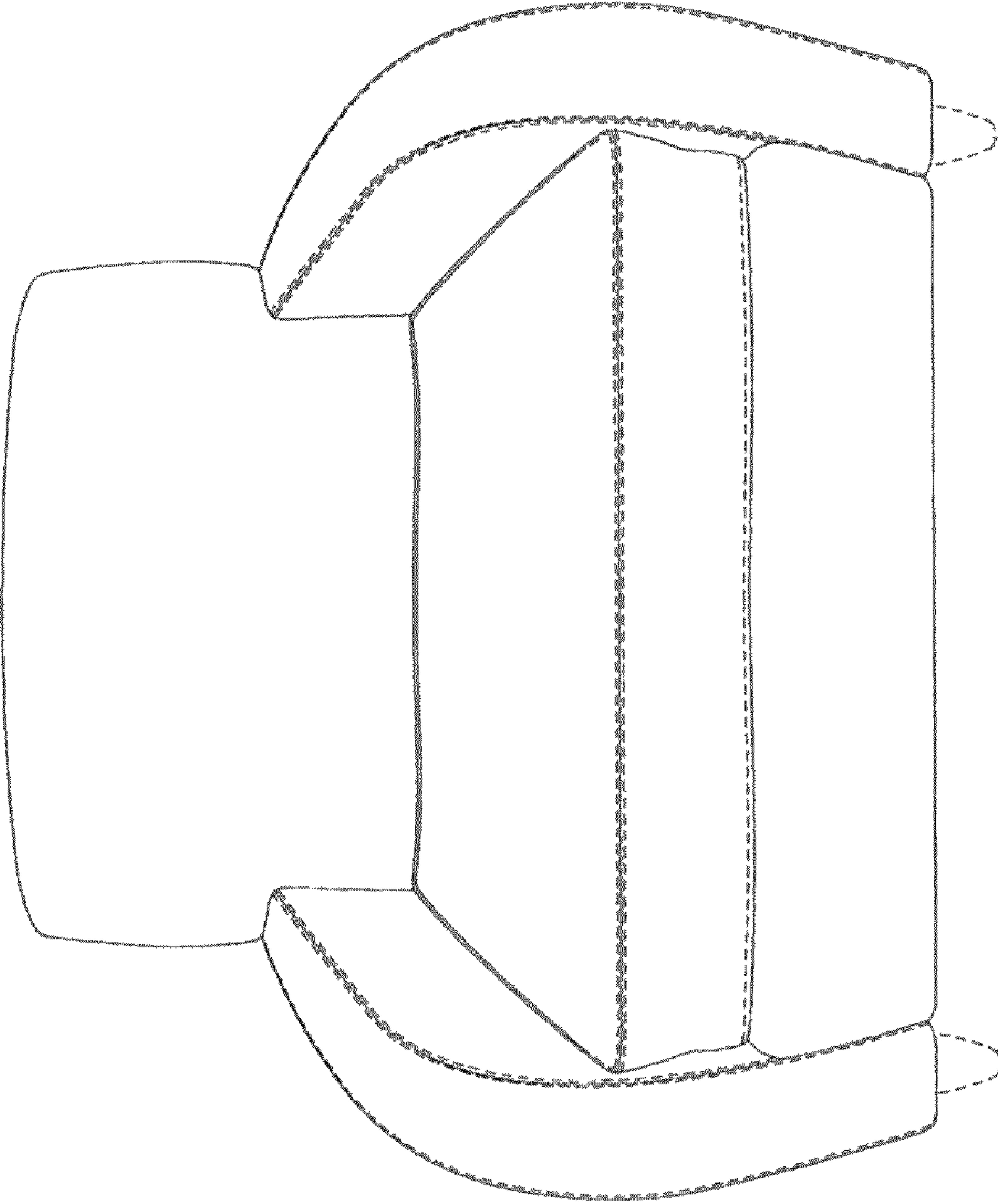


FIG. 19

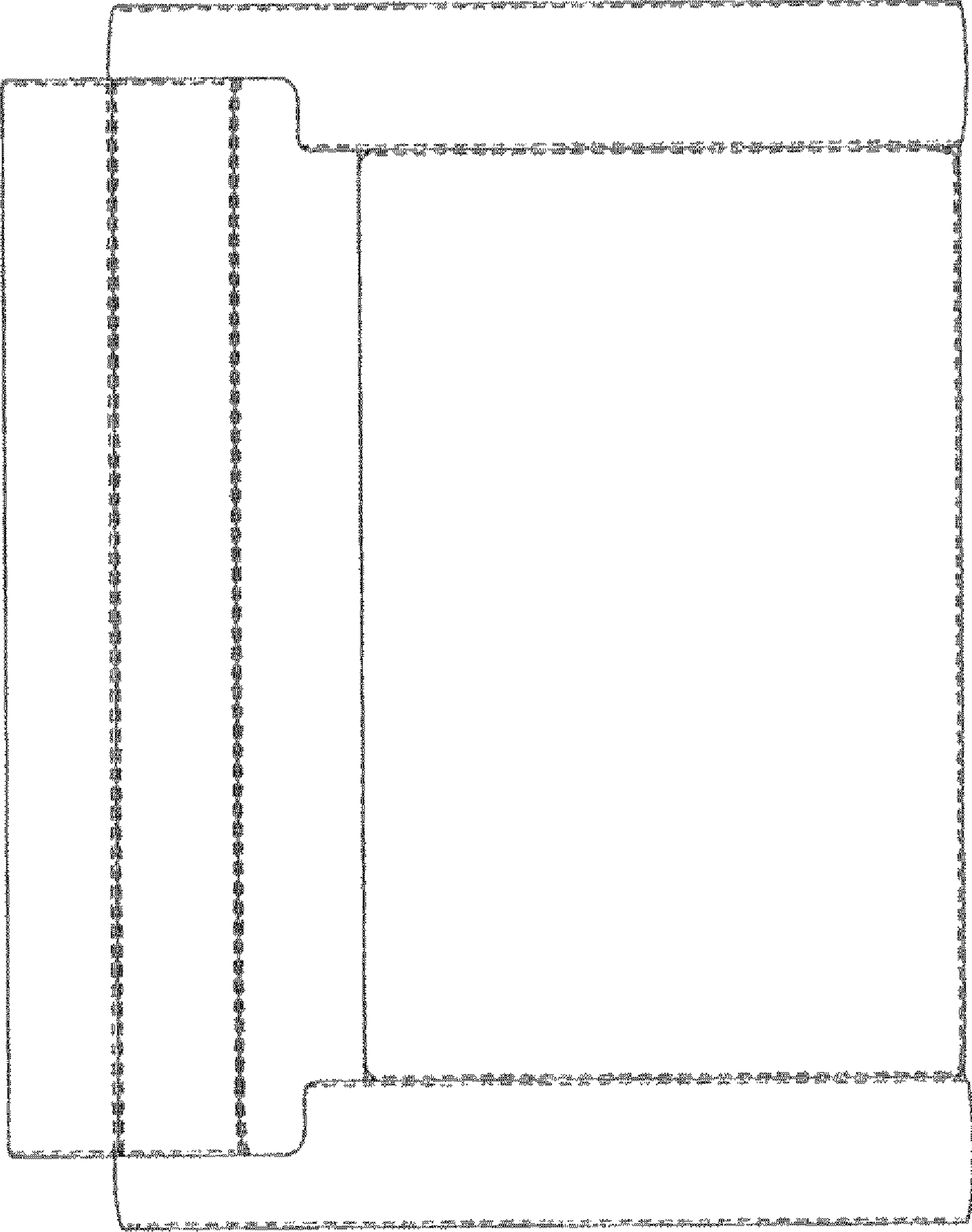


FIG. 20

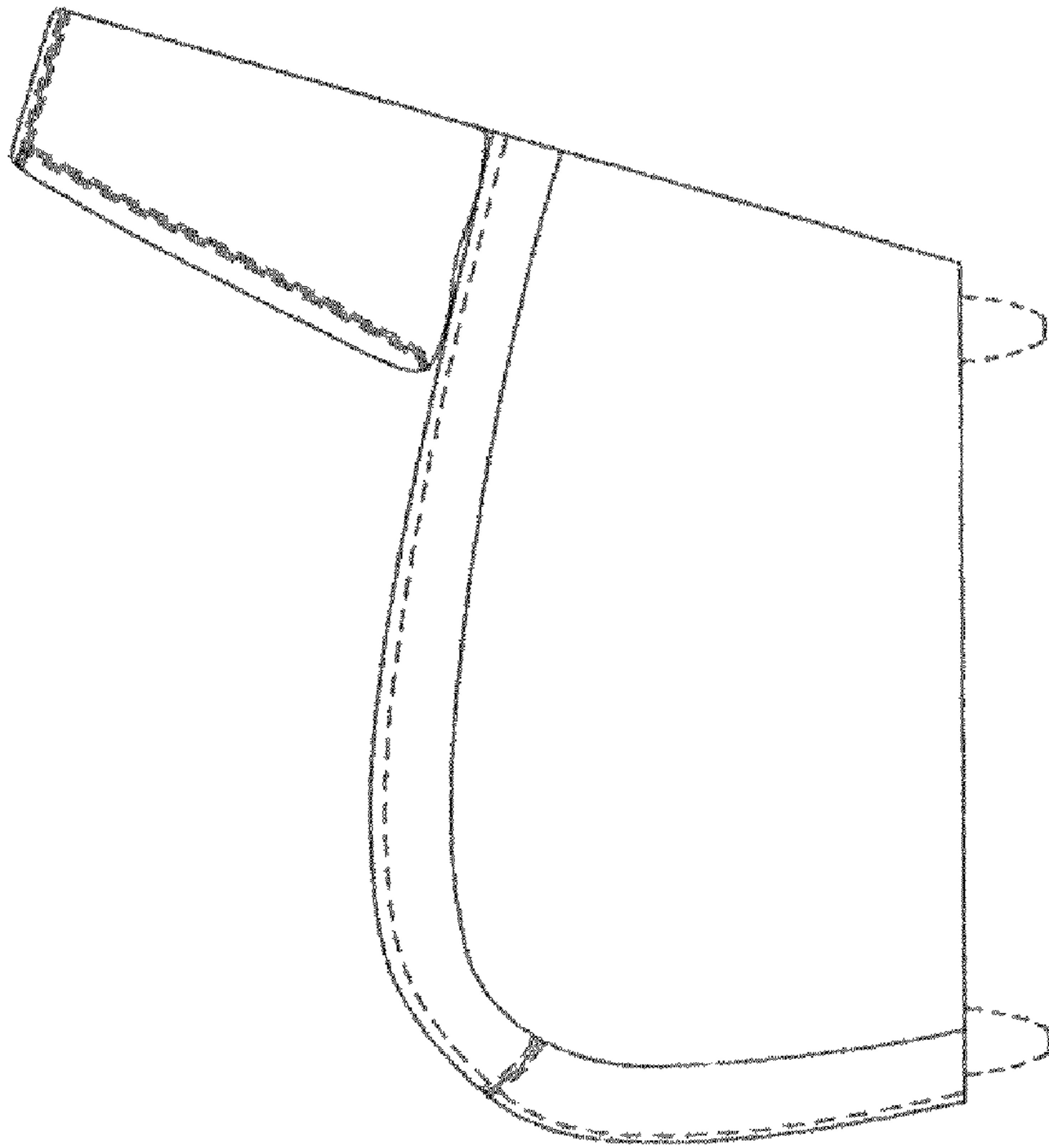


FIG. 22

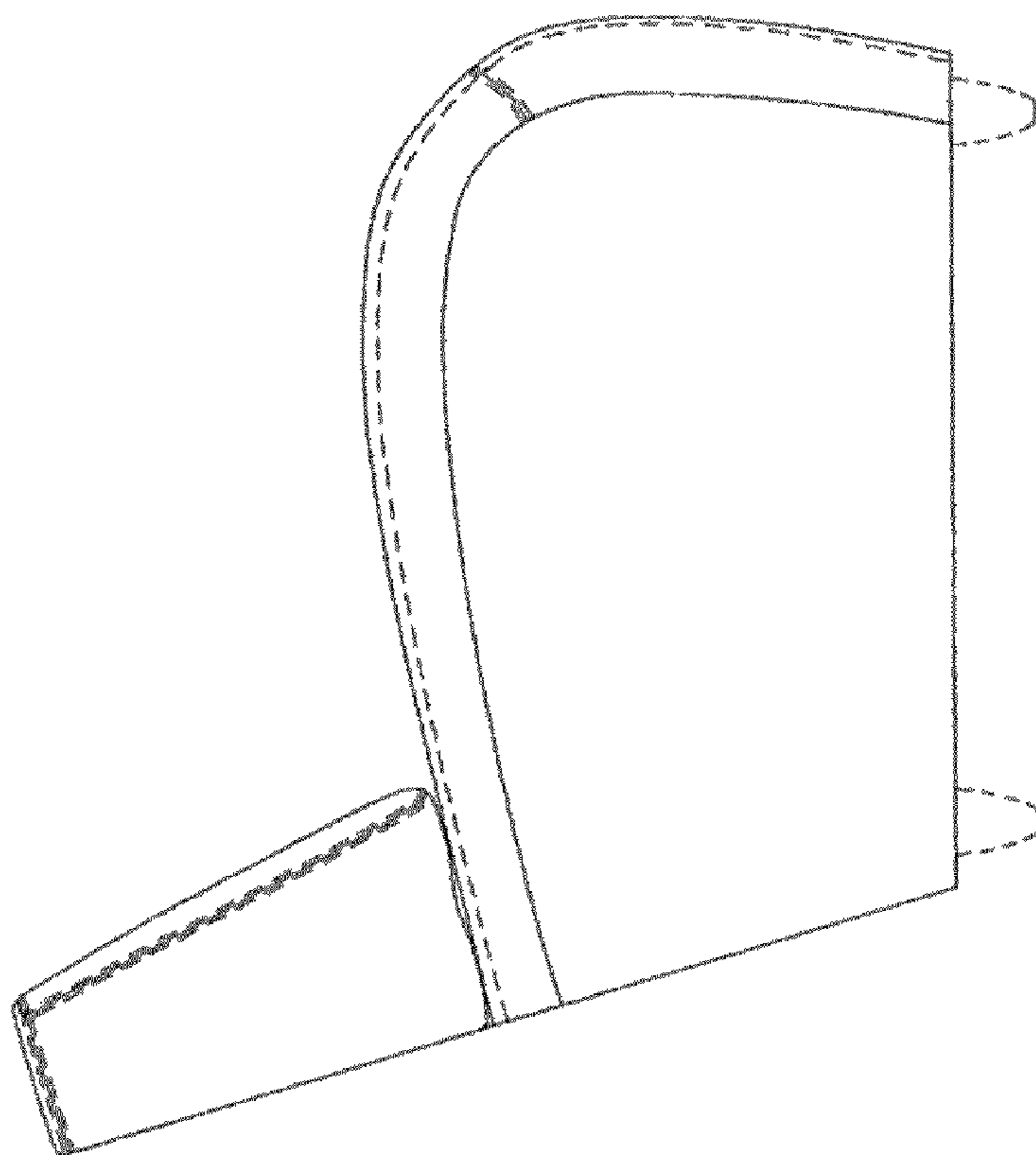


FIG. 21