



US00D677923S

(12) **United States Design Patent**  
**Kangyang**

(10) **Patent No.:** **US D677,923 S**  
(45) **Date of Patent:** **\*\* Mar. 19, 2013**

(54) **DINING CHAIR**

(75) Inventor: **Cao Kangyang**, Guangzhou (CN)

(73) Assignee: **Alma Contract (Holdings) Ltd.**,  
Guangzhou (CN)

(\*\*) Term: **14 Years**

(21) Appl. No.: **29/428,119**

(22) Filed: **Jul. 26, 2012**

(30) **Foreign Application Priority Data**

Mar. 16, 2012 (CN) ..... 2012 3 00624134

(51) **LOC (9) Cl.** ..... **06-01**

(52) **U.S. Cl.** ..... **D6/379**

(58) **Field of Classification Search** ..... D6/334-336,  
D6/348, 358-381, 388, 403, 495-498, 500-502,  
D6/601; 297/22, 31, 35, 38, 239, 284.4-284.5,  
297/291, 297, 302.4, 411.2, 411.27-411.29,  
297/440.13, 440.15, 451.1, 452.13, 452.19,  
297/452.21, 452.29, 452.3, 452.56, 452.64  
See application file for complete search history.

(56) **References Cited**

**U.S. PATENT DOCUMENTS**

909,820 A \* 1/1909 Rabich ..... 297/38  
D68,663 S \* 11/1925 Snow ..... D6/358

D82,937 S \* 12/1930 Hauser ..... D6/359  
D289,949 S \* 5/1987 Tron ..... D6/376  
D320,511 S \* 10/1991 Hess ..... D6/379  
D340,588 S \* 10/1993 Lee ..... D6/370  
D386,321 S \* 11/1997 Vanderminden ..... D6/368  
D414,050 S \* 9/1999 Lin ..... D6/376  
D416,398 S \* 11/1999 Armaroli ..... D6/376  
D441,974 S \* 5/2001 Mintz et al. .... D6/376  
D463,151 S \* 9/2002 Liu ..... D6/379  
D468,924 S \* 1/2003 O'Hare ..... D6/379  
D478,748 S \* 8/2003 Liu ..... D6/495

\* cited by examiner

*Primary Examiner* — Ricky Pham

(74) *Attorney, Agent, or Firm* — Lucas & Mercanti, LLP;  
Peter J. Phillips

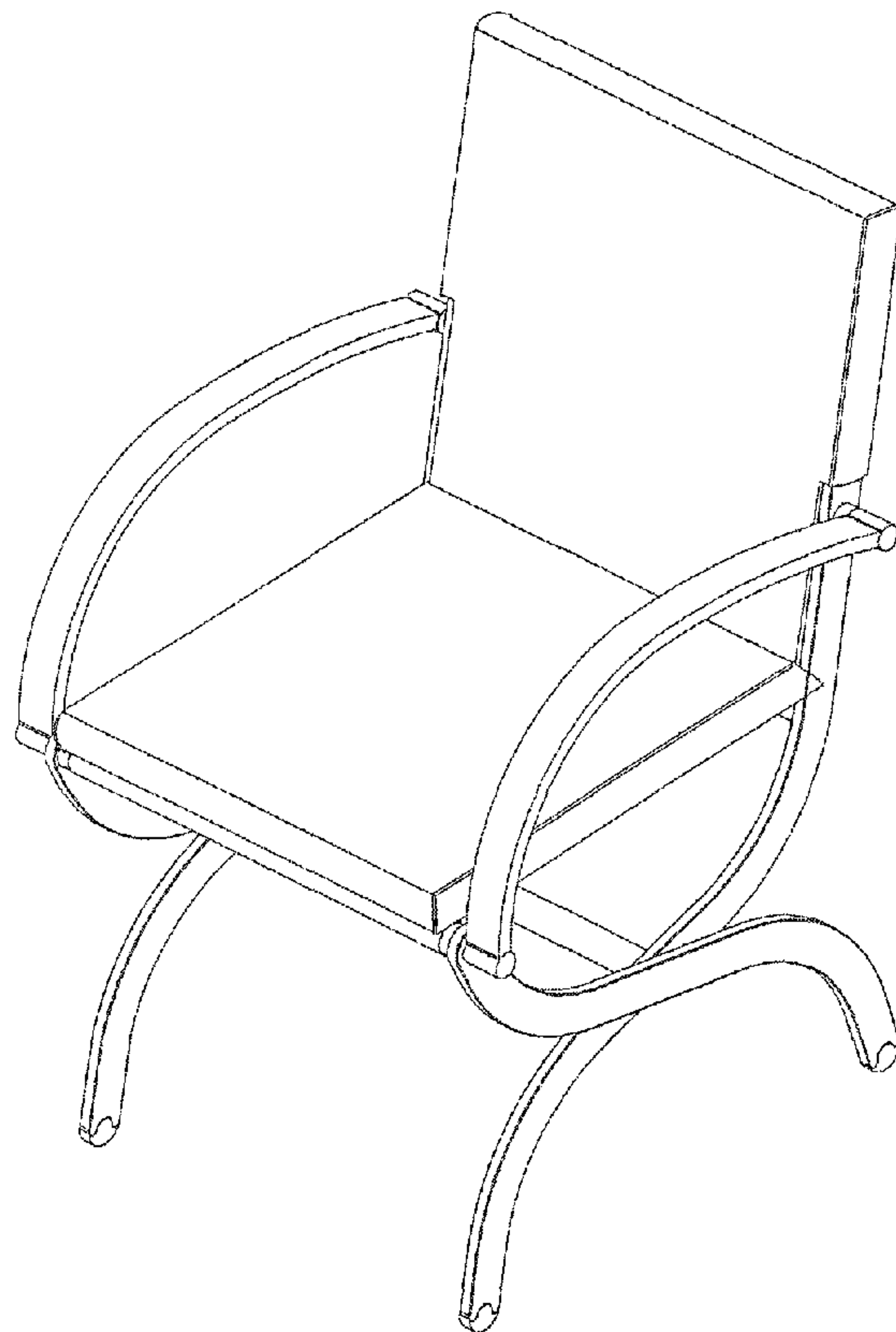
(57) **CLAIM**

The ornamental design for a dining chair, as shown and described.

**DESCRIPTION**

FIG. 1 is left side view of the dining chair;  
FIG. 2 is a right side view of the dining chair;  
FIG. 3 is a front view of the dining chair;  
FIG. 4 is a rear view of the dining chair;  
FIG. 5 is a top view of the dining chair;  
FIG. 6 is a bottom view of the dining chair; and,  
FIG. 7 is a perspective view of the dining chair.

**1 Claim, 5 Drawing Sheets**



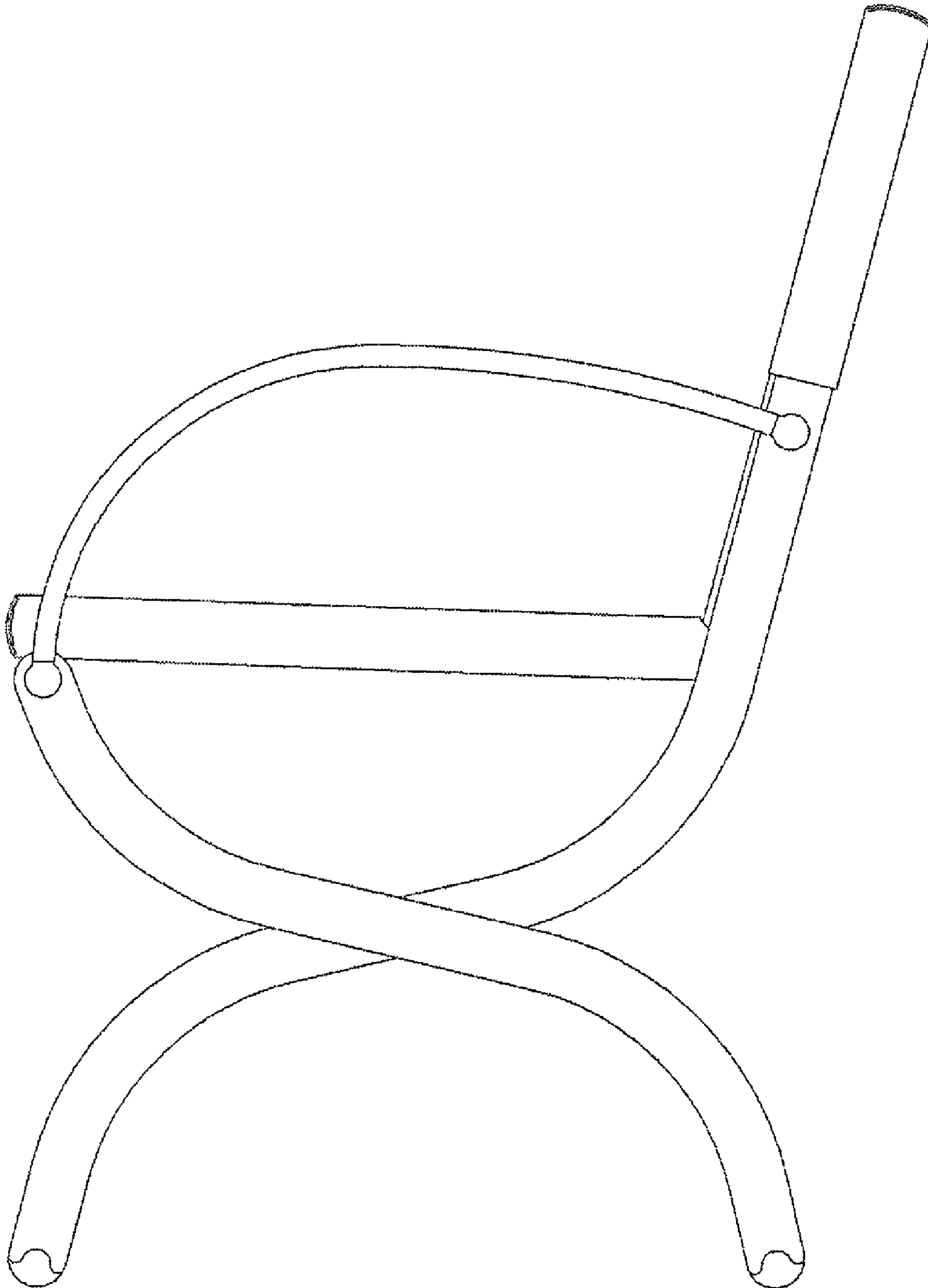


Fig. 1

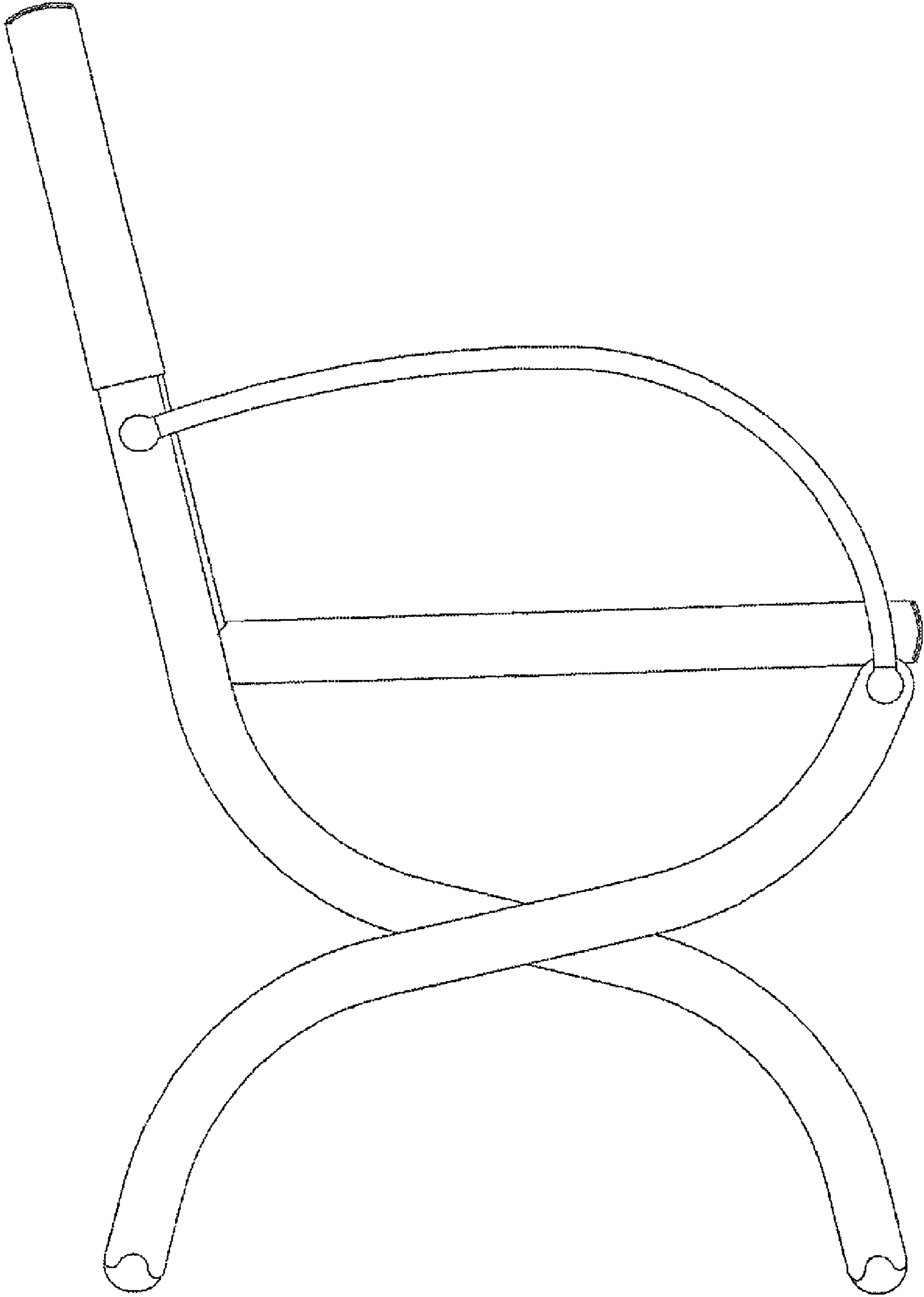


Fig. 2

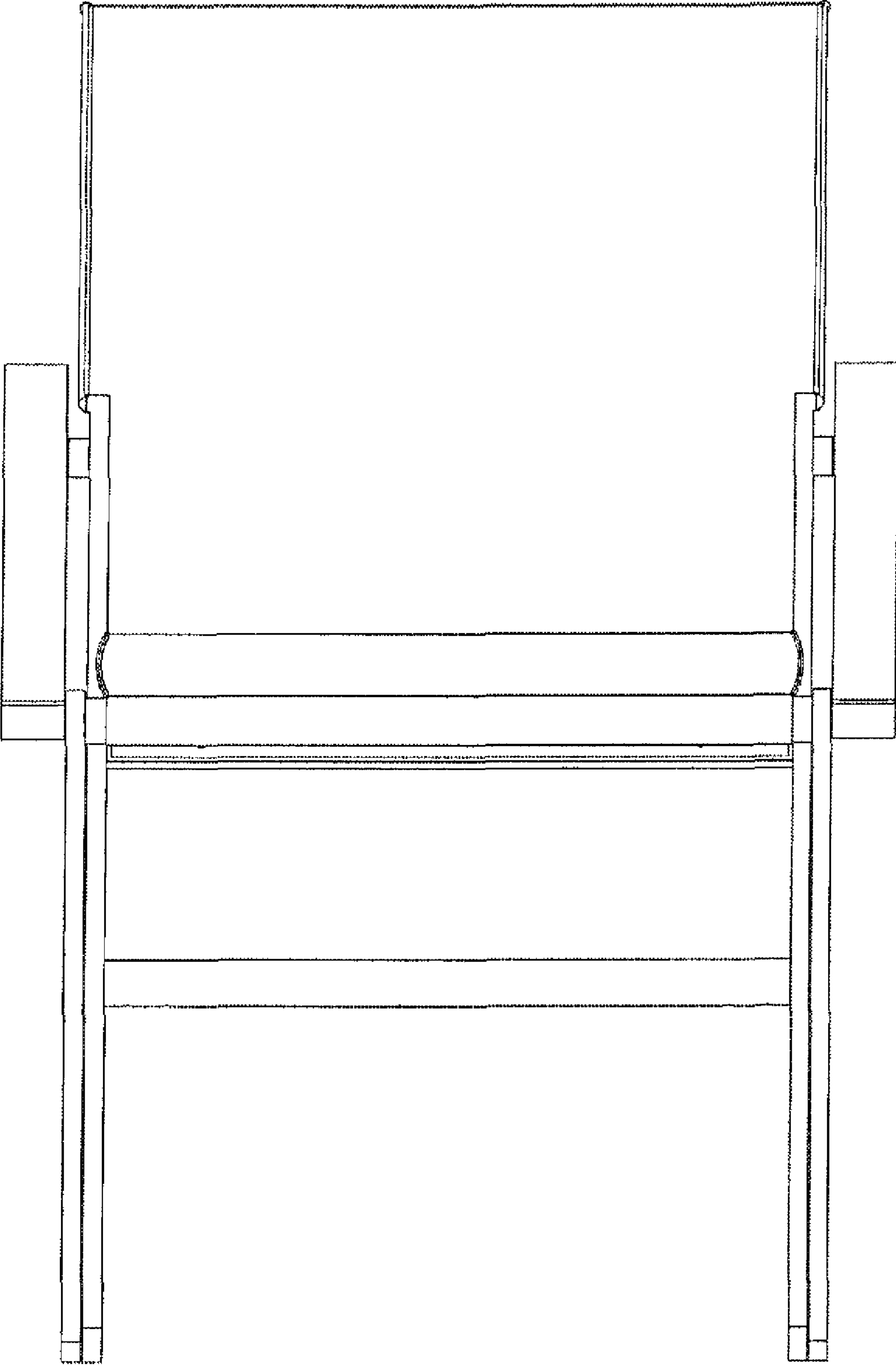


Fig. 3

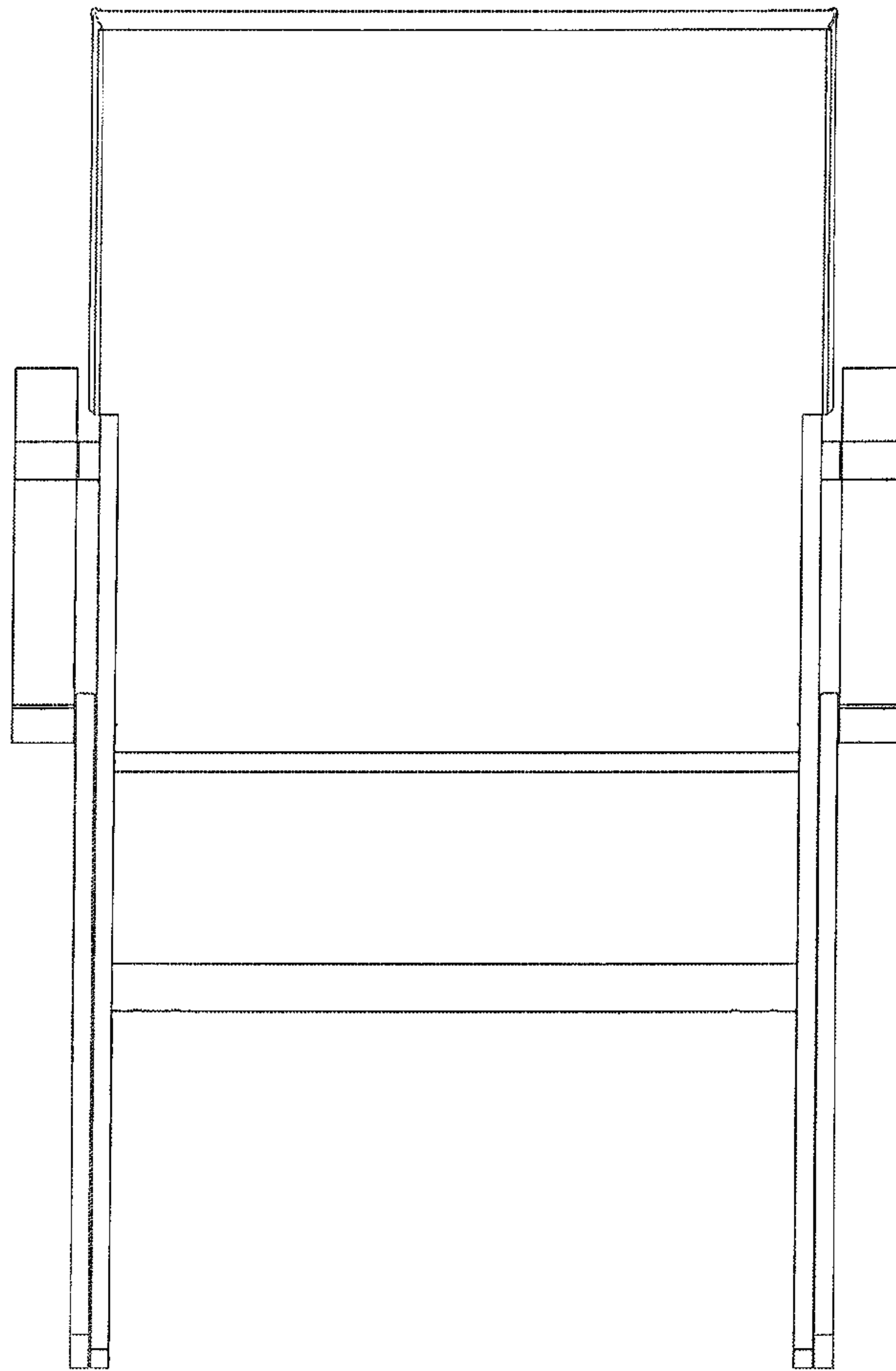


Fig. 4

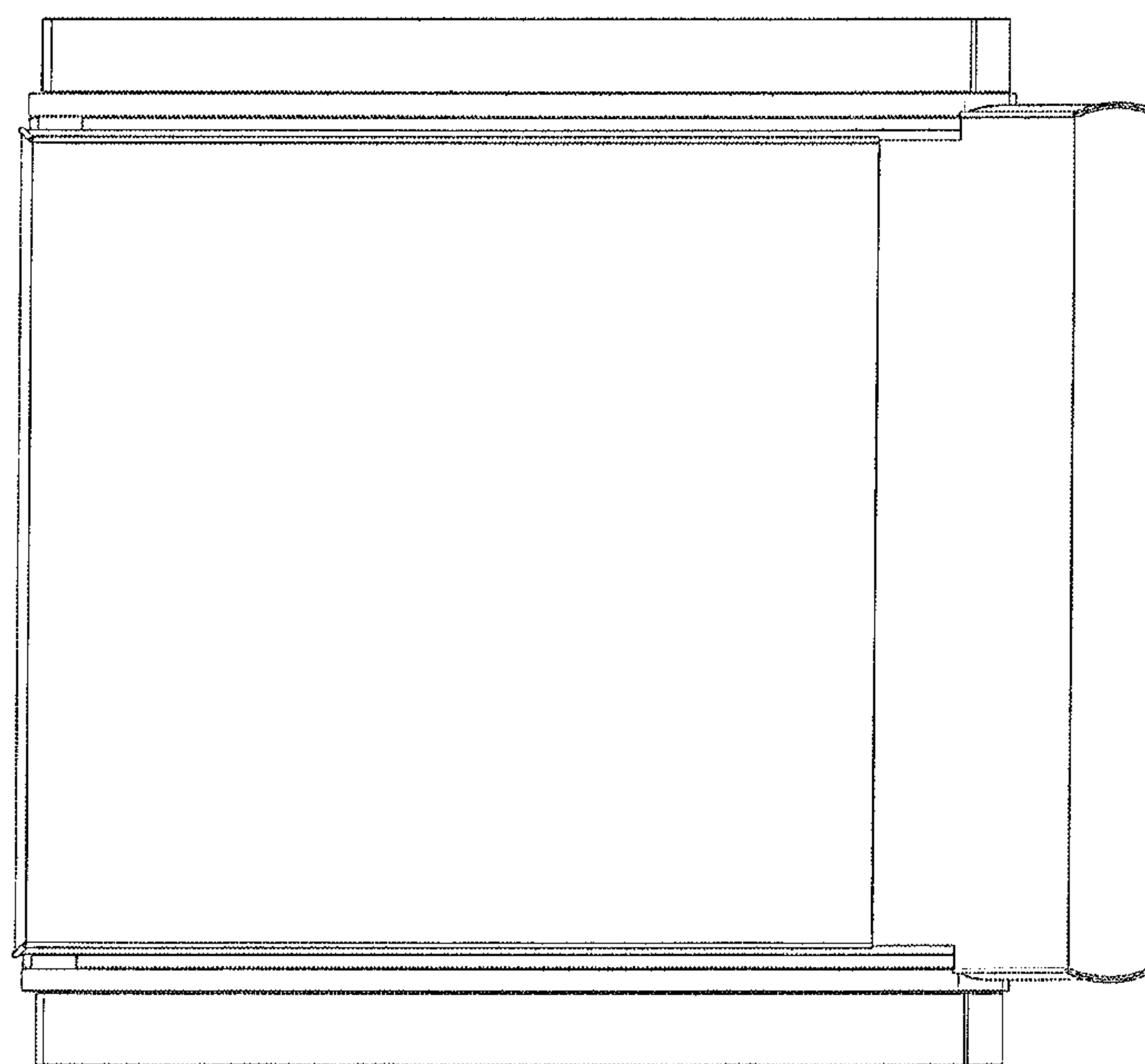


Fig. 5

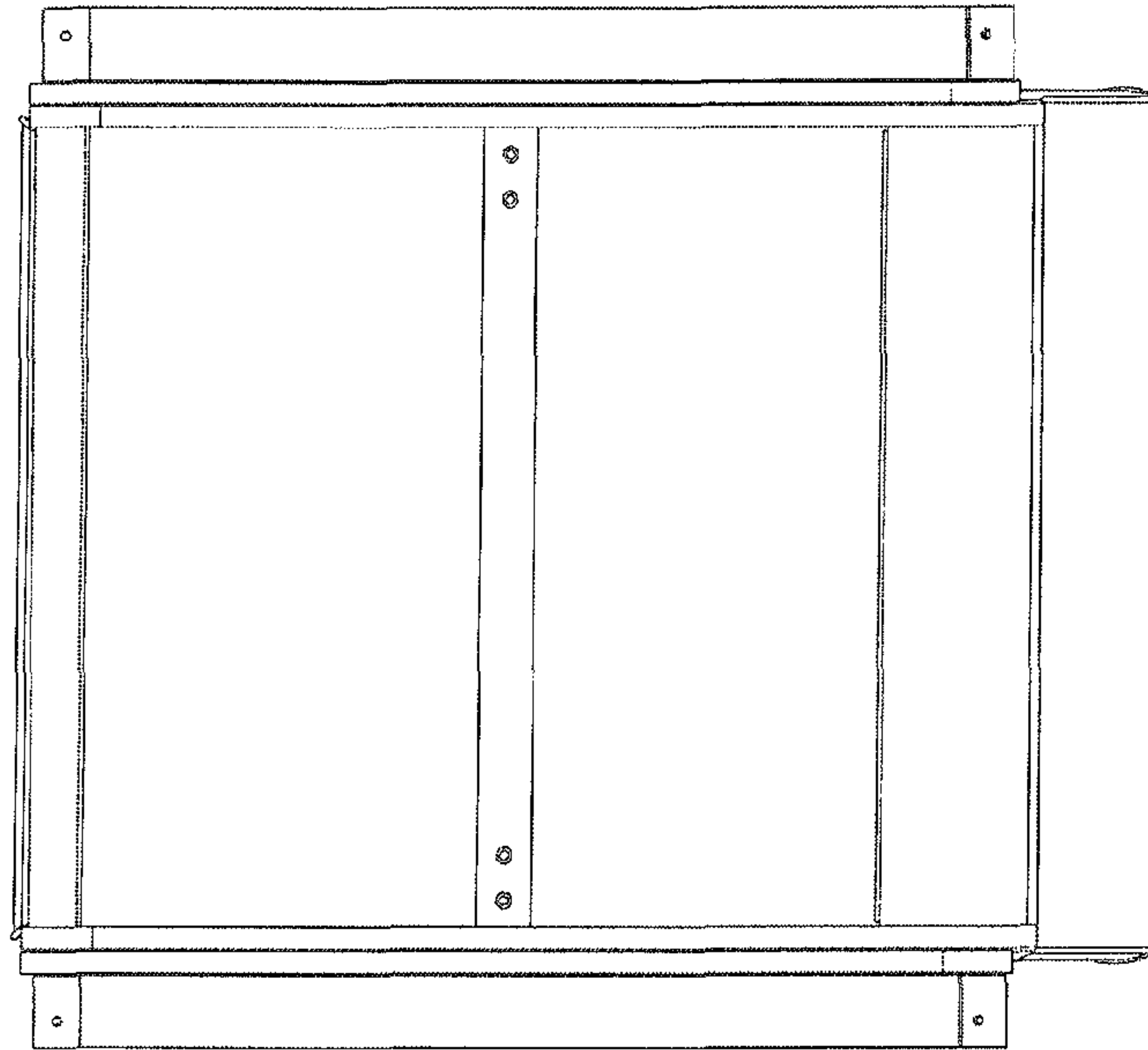


Fig. 6

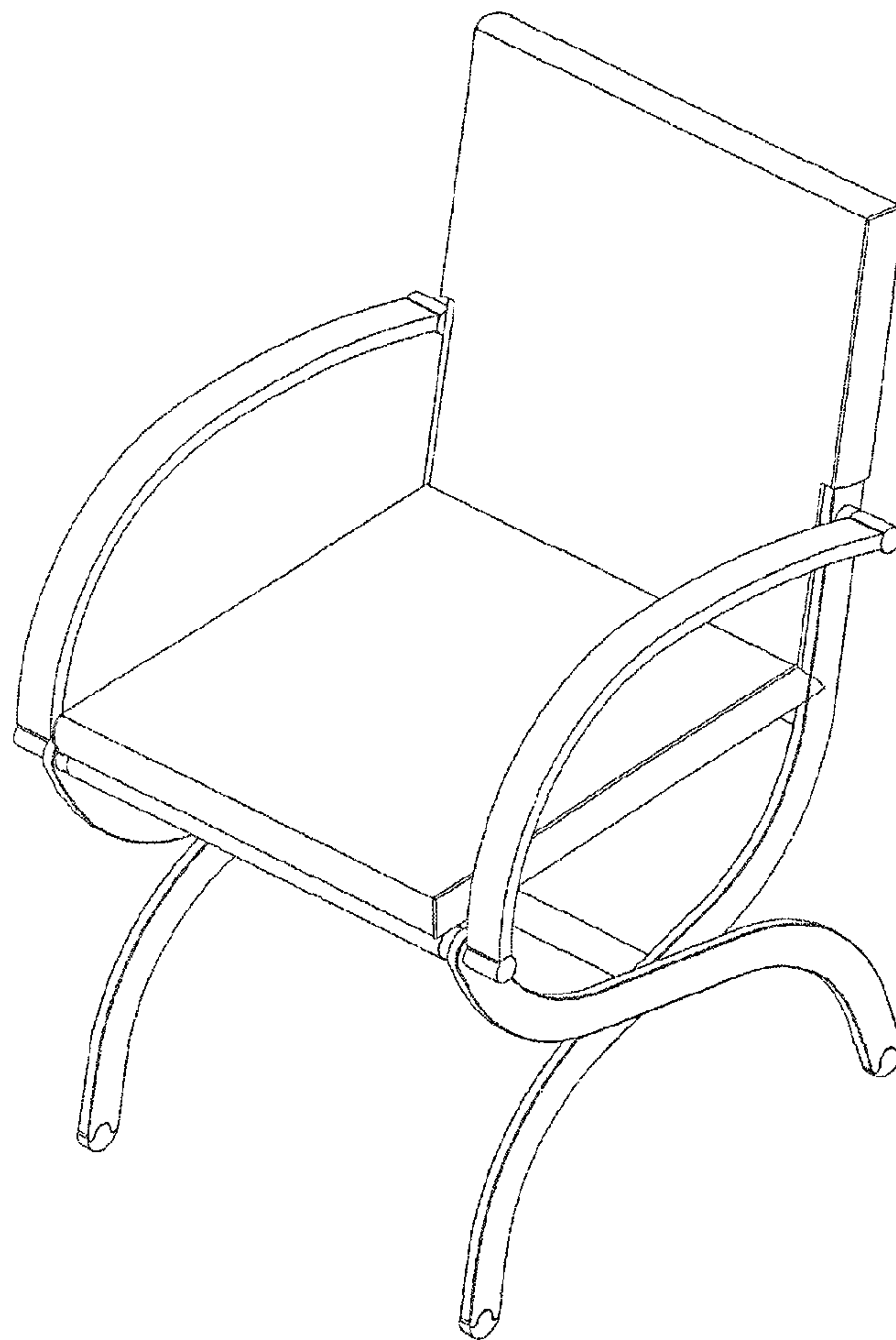


Fig. 7