



US00D677921S

(12) **United States Design Patent**
Wen

(10) **Patent No.:** **US D677,921 S**
(45) **Date of Patent:** **** Mar. 19, 2013**

(54) **FOLDING CHAIR**

(76) Inventor: **Yuan Chang Wen, Yun Lin Shien (TW)**

(**) Term: **14 Years**

(21) Appl. No.: **29/413,616**

(22) Filed: **Feb. 17, 2012**

(51) **LOC (9) Cl.** **06-01**

(52) **U.S. Cl.** **D6/368**

(58) **Field of Classification Search** D6/334-336,
D6/368, 369, 371-373, 374, 376, 379, 380,
D6/500-502; 297/16.1, 40, 41, 45, 46, 47,
297/55, 58, 452.1, 452.29, 452.46, 452.56
See application file for complete search history.

(56) **References Cited**

U.S. PATENT DOCUMENTS

D217,344 S *	4/1970	Lindfors	D6/368
D234,935 S *	4/1975	Dransart	D6/368
D455,568 S *	4/2002	Leng et al.	D6/368
D457,336 S *	5/2002	Leng et al.	D6/368
D489,192 S *	5/2004	Jin et al.	D6/368
D506,880 S *	7/2005	Cantarutti	D6/368
D647,718 S *	11/2011	Chen	D6/368
D648,554 S *	11/2011	Smith	D6/368
D653,471 S *	2/2012	Chan	D6/368

* cited by examiner

Primary Examiner — Mimosa De

(74) *Attorney, Agent, or Firm* — Morland C. Fischer

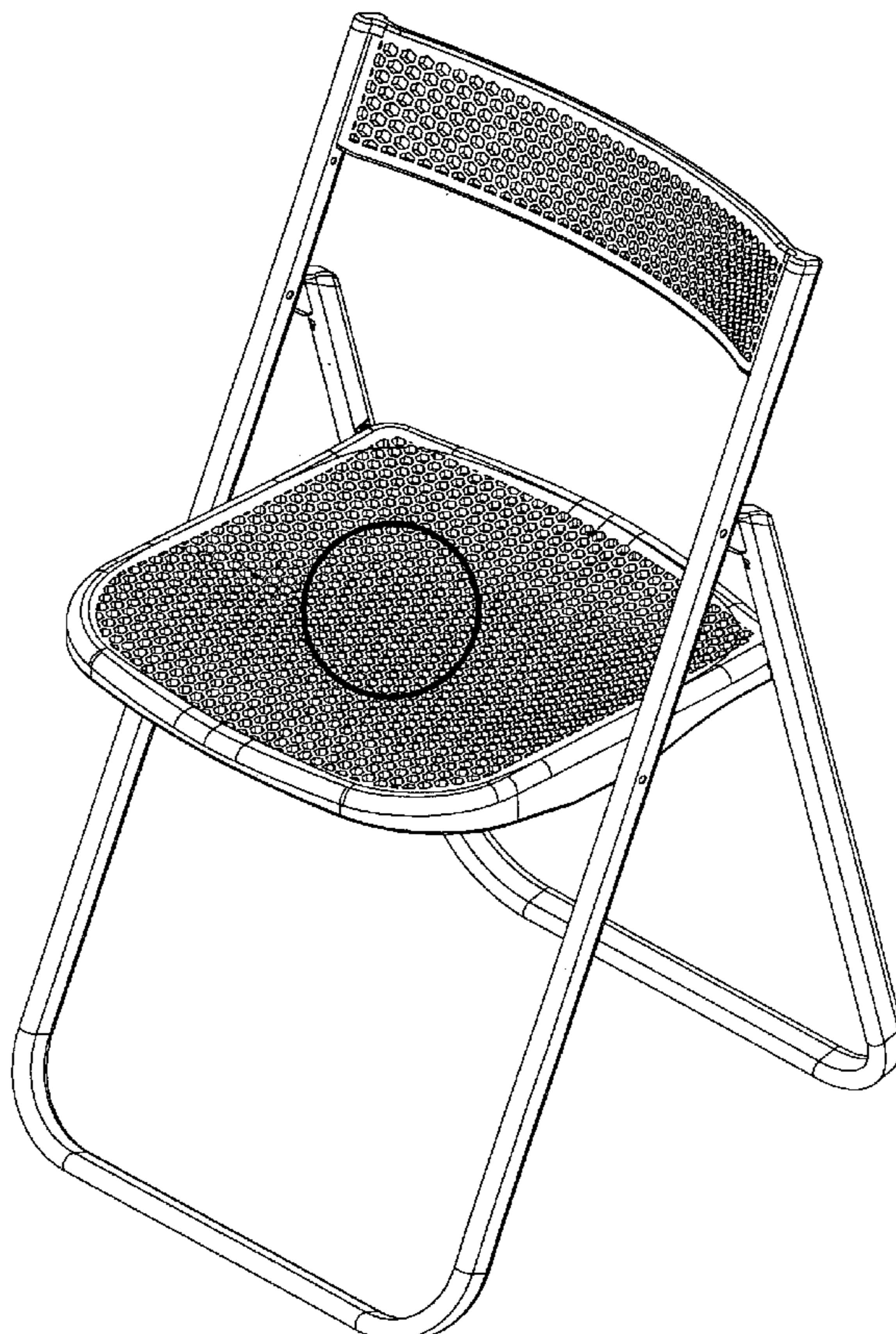
(57) **CLAIM**

The ornamental design for a folding chair, as shown and described.

DESCRIPTION

FIG. 1 is a perspective view showing the top, front and right side of a folding chair which forms my new design wherein said folding chair is in an unfolded condition;
 FIG. 2 is an enlarged detail thereof taken from FIG. 1;
 FIG. 3 is a front elevational view thereof in the unfolded condition;
 FIG. 4 is a front elevational view thereof in a folded condition;
 FIG. 5 is a rear elevational view thereof in the unfolded condition;
 FIG. 6 is a rear elevational view thereof in the folded condition;
 FIG. 7 is a right side elevational view thereof in the unfolded condition, this view and the opposite left side elevational view being mirror images; and,
 FIG. 8 is a right side elevational view thereof in the folded condition, this view and the opposite left side elevational view being mirror images.

1 Claim, 8 Drawing Sheets



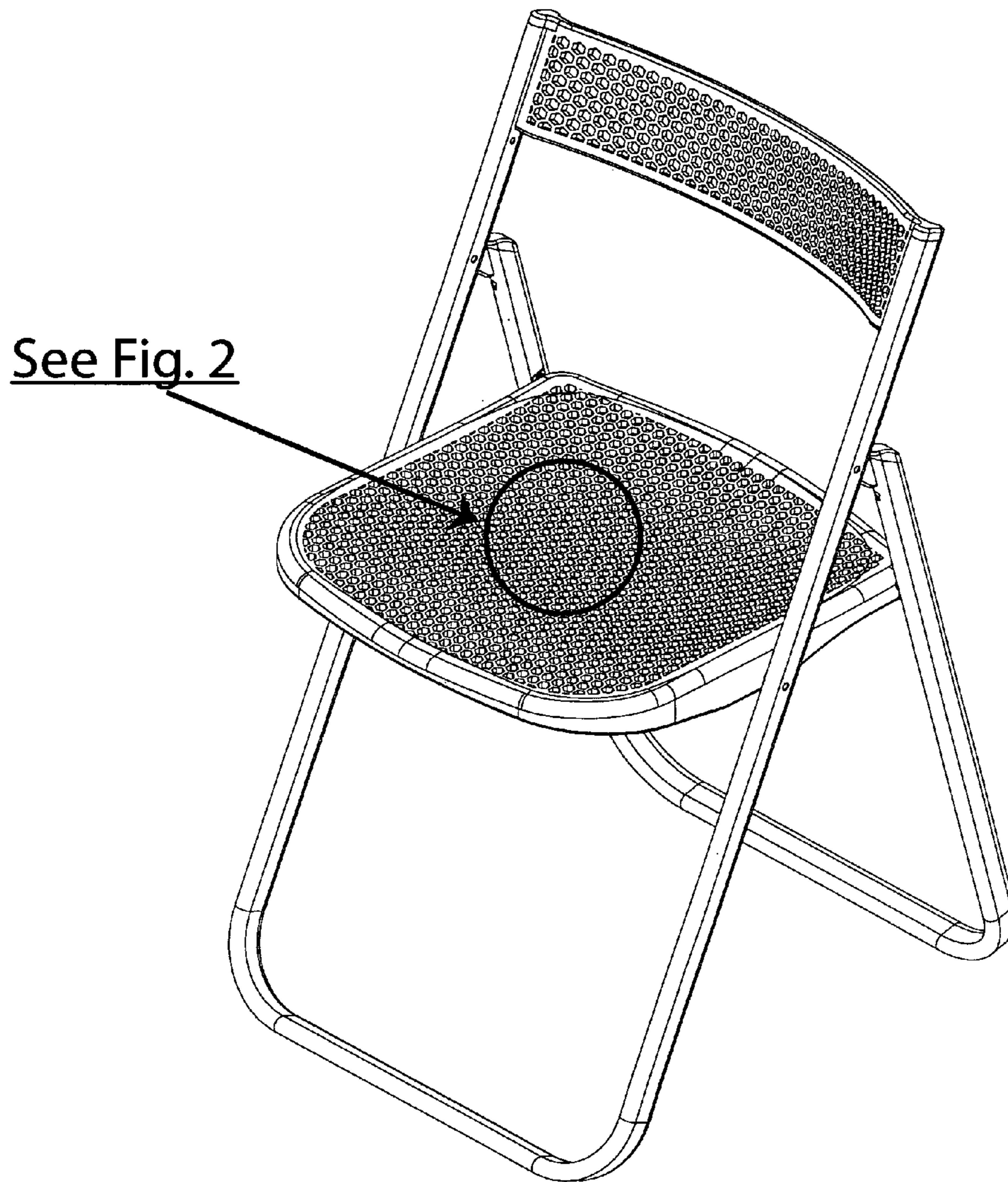


Fig. 1

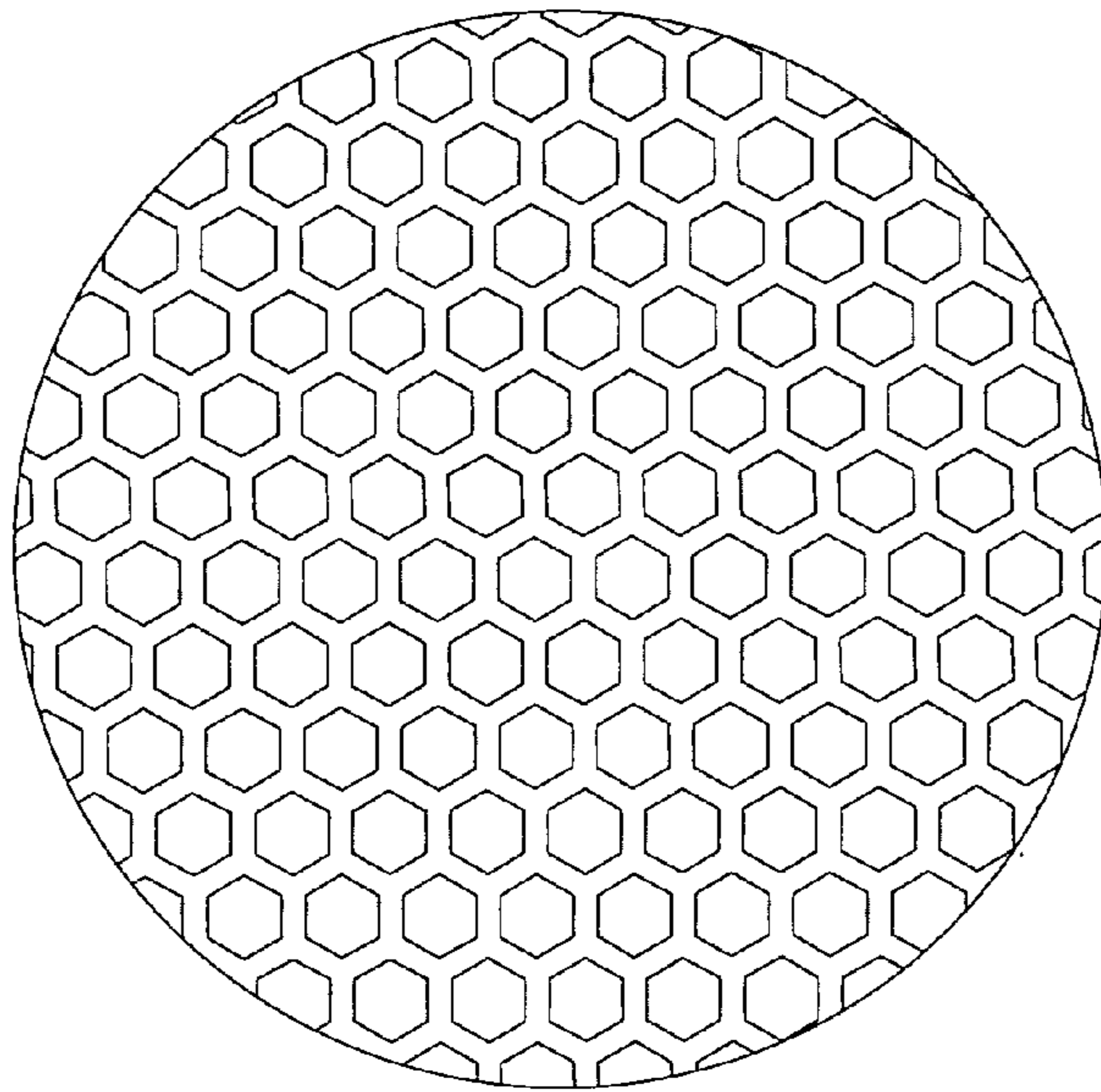


Fig. 2

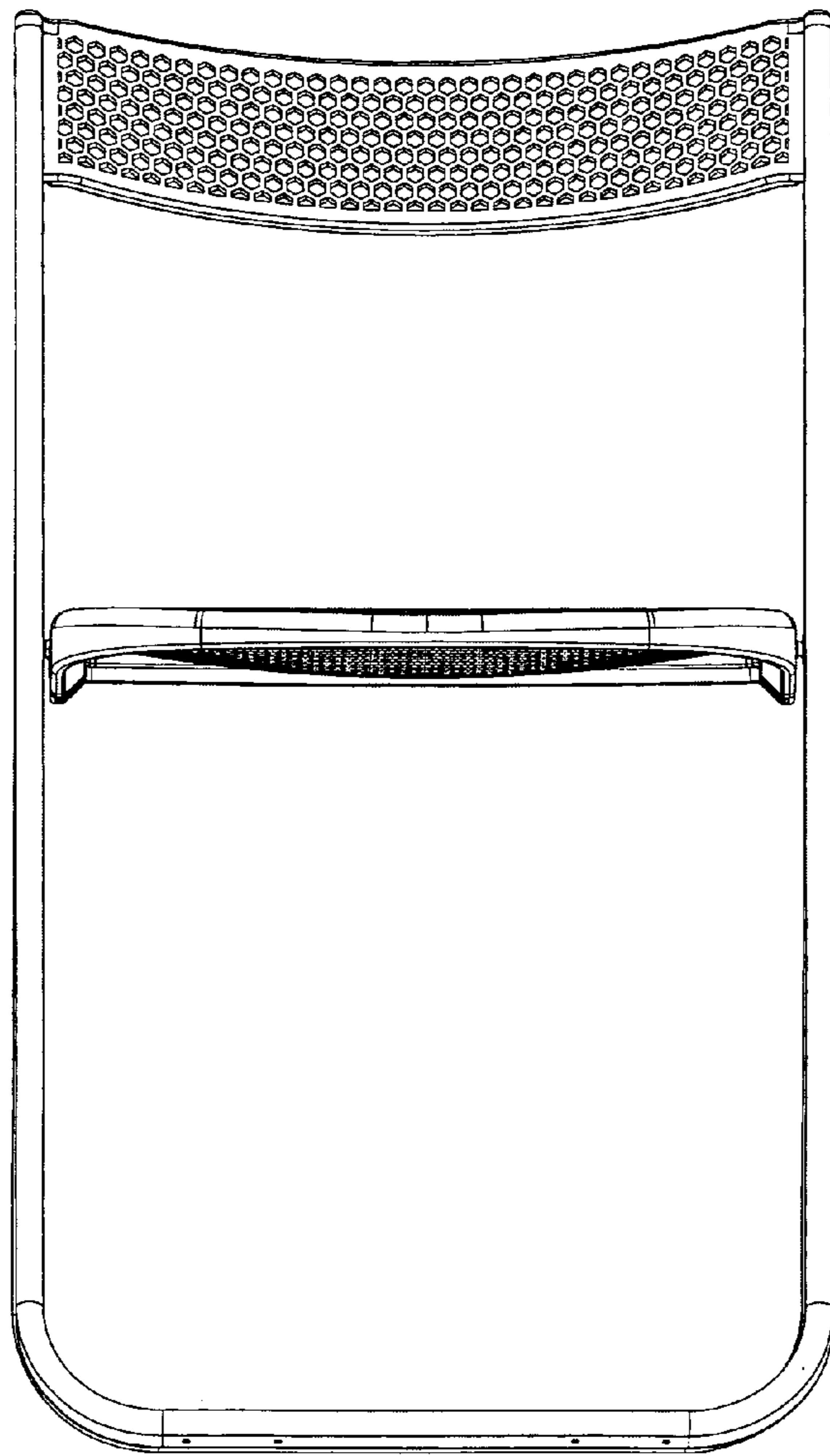


Fig. 3

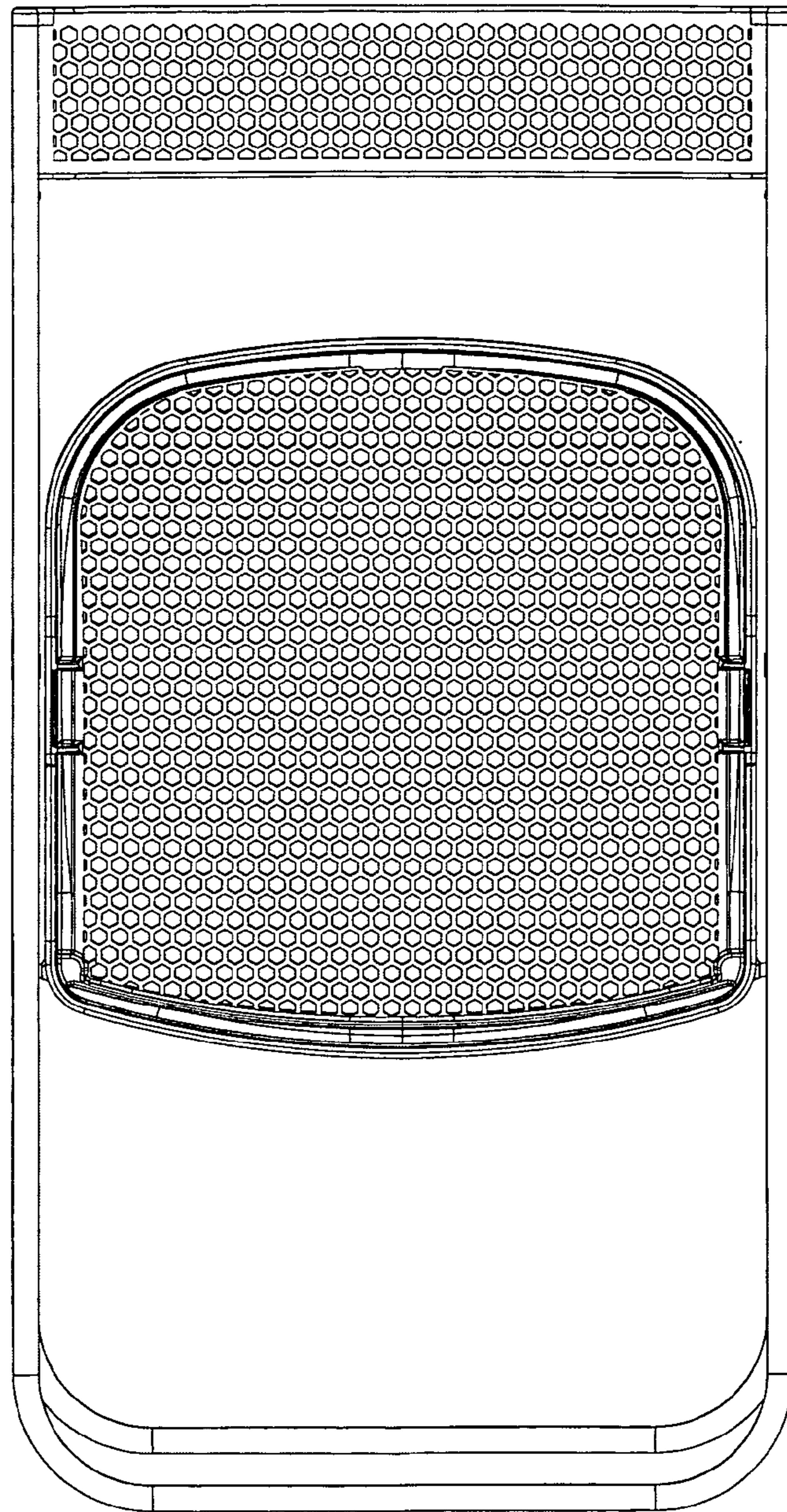


Fig. 4

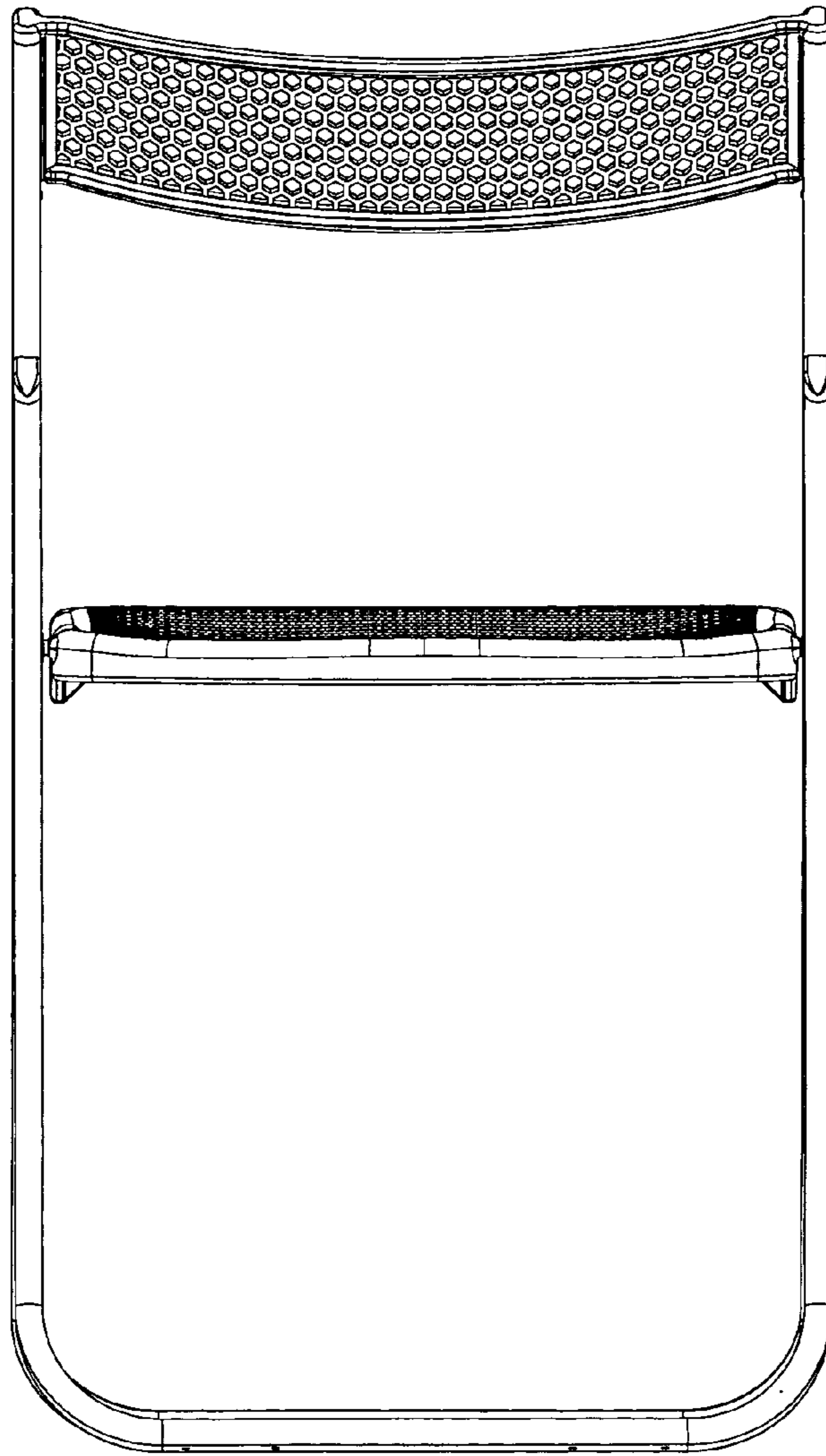


Fig. 5

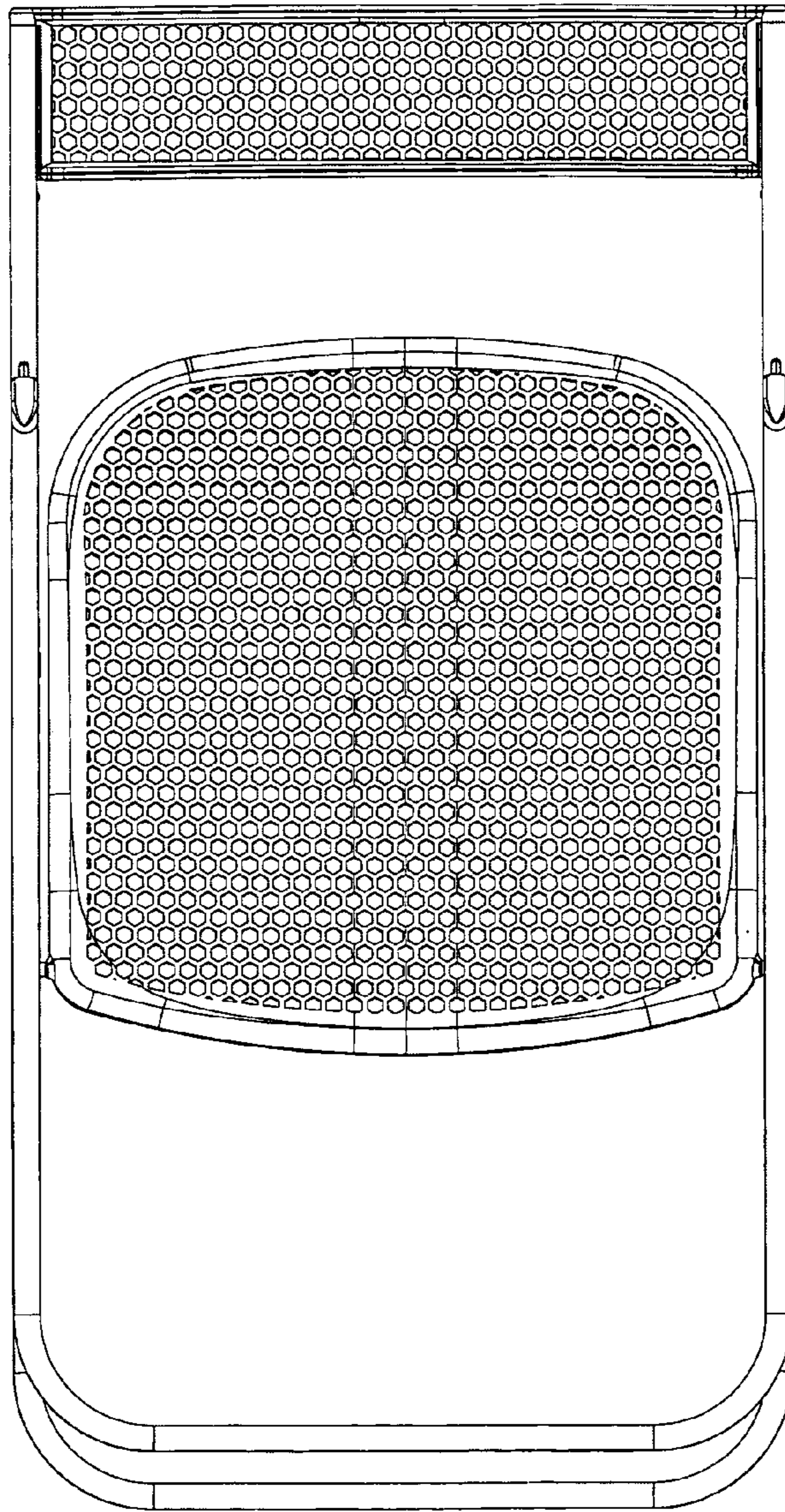


Fig. 6

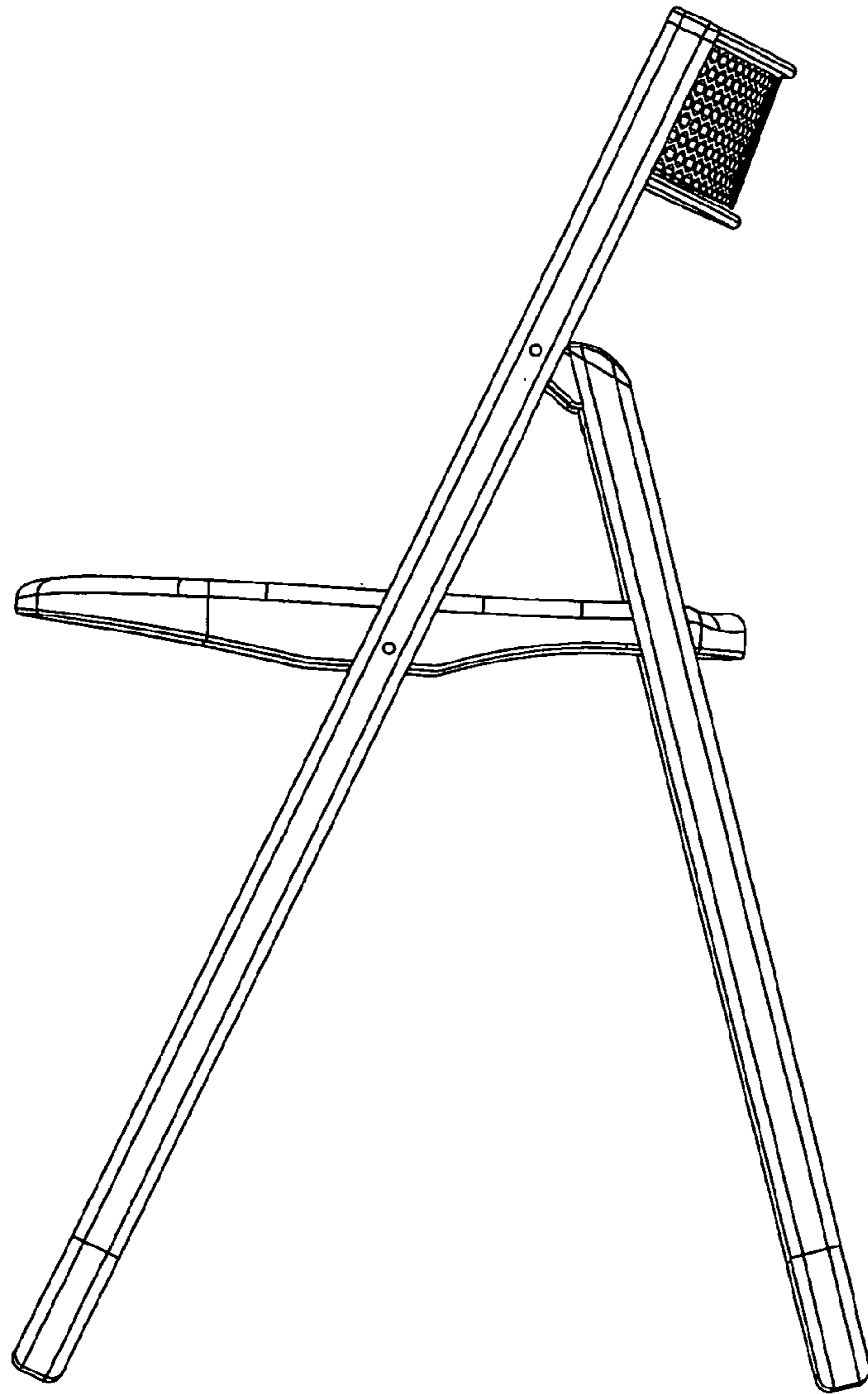


Fig. 7

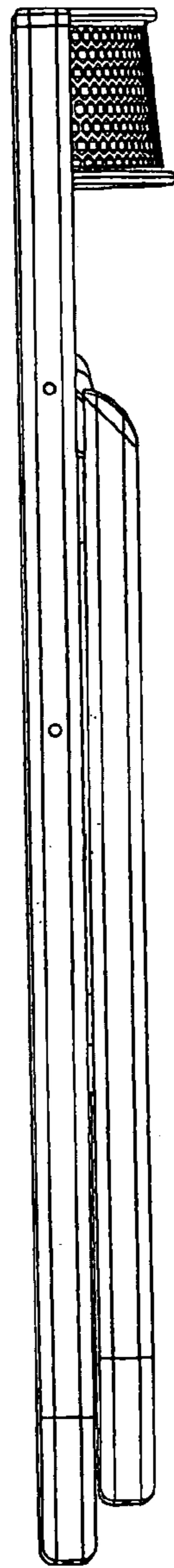


Fig. 8