



US00D677920S

(12) **United States Design Patent**
Christakos

(10) **Patent No.:** **US D677,920 S**
(45) **Date of Patent:** **** Mar. 19, 2013**

- (54) **COLLAPSIBLE BUNGEE CHAIR**
- (75) Inventor: **John N. Christakos**, Minneapolis, MN (US)
- (73) Assignee: **Blu Dot Design & Manufacturing, Inc.**, Minneapolis, MN (US)
- (**) Term: **14 Years**
- (21) Appl. No.: **29/412,872**
- (22) Filed: **Feb. 8, 2012**
- (51) **LOC (9) Cl.** **06-01**
- (52) **U.S. Cl.** **D6/368**
- (58) **Field of Classification Search** D6/334–336, D6/344–349, 360–381, 388, 403, 495–502, D6/601; 297/16.1, 16.2, 22, 31, 35, 42–46, 297/56, 239, 256.16, 284.4–284.5, 291, 297, 297/302.4, 411.2, 411.27–411.29, 411.43, 297/440.13, 440.15, 440.24, 451.1, 452.13, 297/452.19, 452.21, 452.27, 452.29, 452.3, 297/452.41, 452.56, 452.64; 473/197, 456
See application file for complete search history.

7,178,864	B2 *	2/2007	Hsieh	297/45
D555,378	S *	11/2007	Tsai	D6/368
D571,572	S *	6/2008	Tseng	D6/372
7,404,601	B2 *	7/2008	Chen	297/16.2
7,648,421	B2 *	1/2010	Yoon	473/197
7,967,374	B2 *	6/2011	Akkad	297/42
D656,326	S *	3/2012	Soewondo	D6/348
8,282,509	B1 *	10/2012	Michaelson et al.	473/456
2003/0234561	A1 *	12/2003	Zheng	297/45
2005/0088018	A1 *	4/2005	Yao	297/16.1
2006/0232108	A1 *	10/2006	Hsieh	297/45
2006/0249991	A1 *	11/2006	Hsieh	297/16.1
2007/0187998	A1 *	8/2007	Chen	297/45

OTHER PUBLICATIONS

Advertisement from Target, “Woven Techniques Hard Goods”, Interior Design Capsule, made publicly available by at least Feb. 27, 2012.

* cited by examiner

Primary Examiner — Ricky Pham
(74) *Attorney, Agent, or Firm* — Fredrikson & Byron, P.A.

(57) **CLAIM**

I claim the ornamental design for a collapsible bungee chair, as shown and described.

(56) **References Cited**

U.S. PATENT DOCUMENTS

5,695,253	A *	12/1997	Jenkins	297/452.64
6,332,646	B1	12/2001	Tseng		
6,447,057	B1 *	9/2002	Chen	297/16.2
D475,860	S *	6/2003	Yang	D6/367
6,824,207	B1 *	11/2004	Lin	297/16.1
6,840,573	B1 *	1/2005	Yao	297/16.1
6,848,740	B1 *	2/2005	Reese	297/16.1
D503,289	S *	3/2005	Eyman et al.	D6/344
6,877,814	B2 *	4/2005	Lin	297/440.24
D507,891	S *	8/2005	Eyman et al.	D6/344
6,957,852	B1 *	10/2005	Hsieh	297/46
7,000,983	B1 *	2/2006	Tsai	297/56
7,011,372	B1 *	3/2006	Hsieh	297/440.24
7,144,078	B2 *	12/2006	Hsieh	297/16.1

DESCRIPTION

FIG. 1 is a front perspective view of the collapsible bungee chair of my design;
FIG. 2 is a front elevational view thereof;
FIG. 3 is a rear elevational view thereof;
FIG. 4 is a right-side elevation view thereof, the left-side elevation view being a mirror image thereof;
FIG. 5 is a top plan view thereof; and,
FIG. 6 is a bottom plan view thereof.
Where included, broken lines showing environment or structure are for illustrative purposes only and form no part of the claimed design.

1 Claim, 4 Drawing Sheets

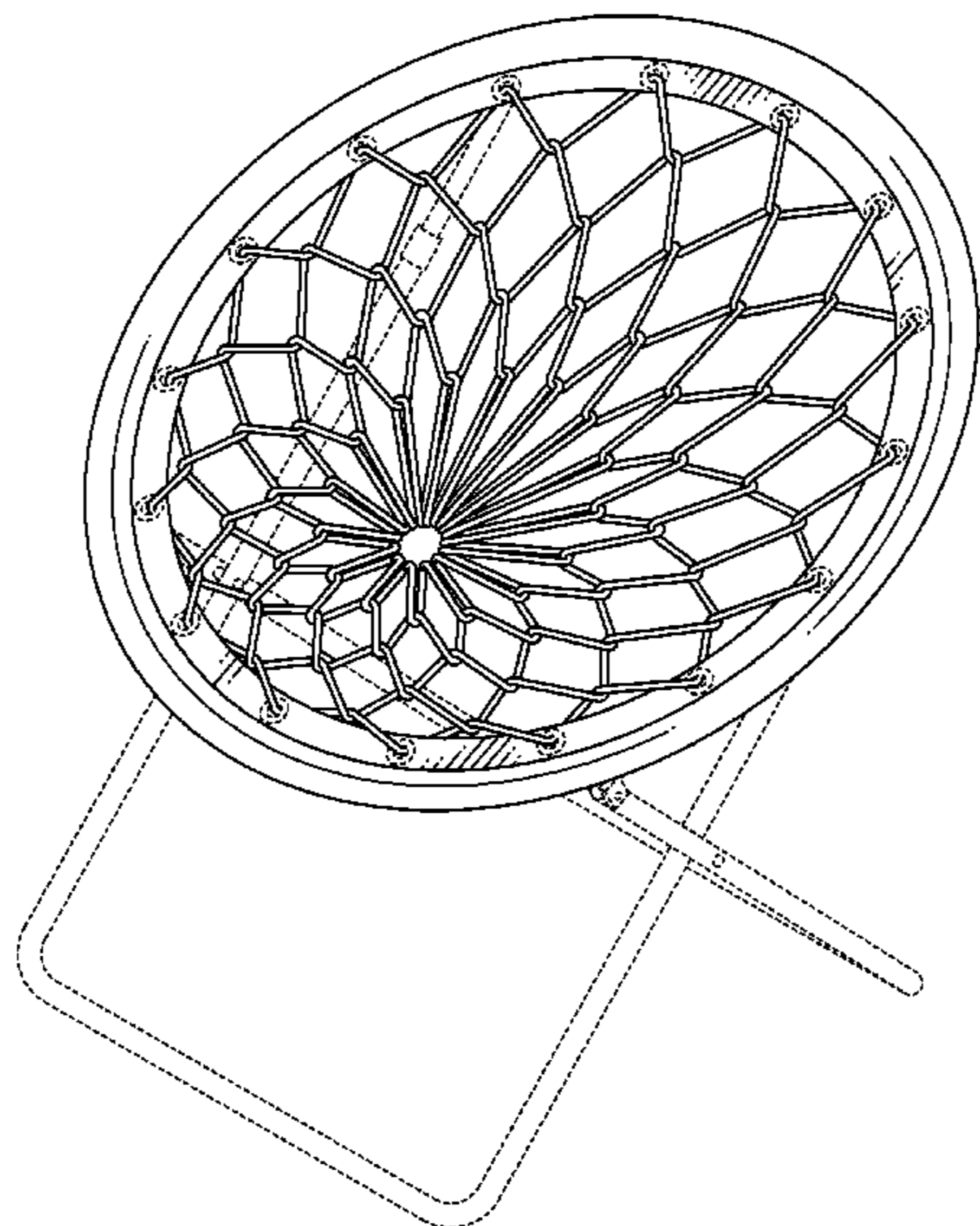


FIG. 1

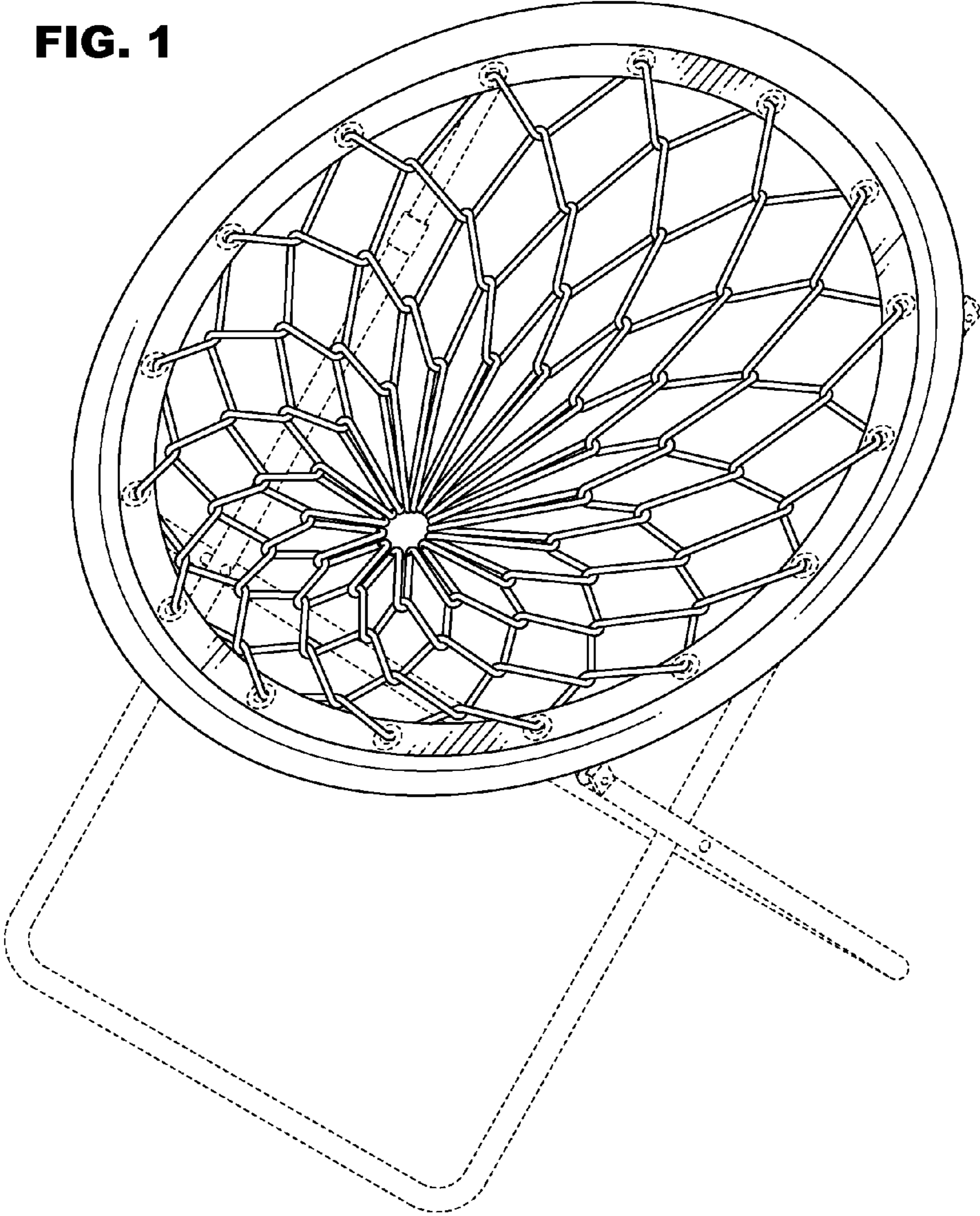


FIG. 2

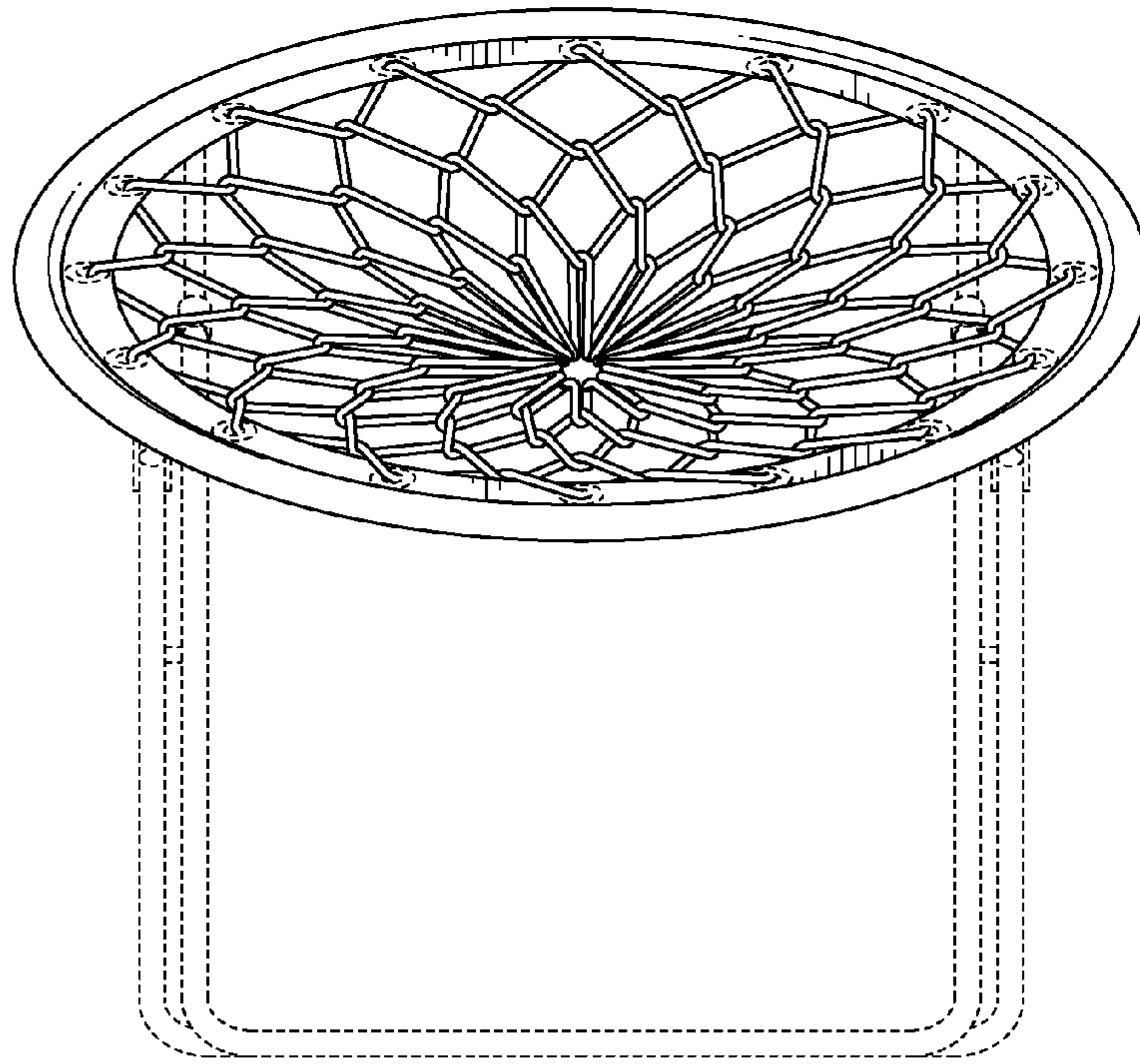


FIG. 3

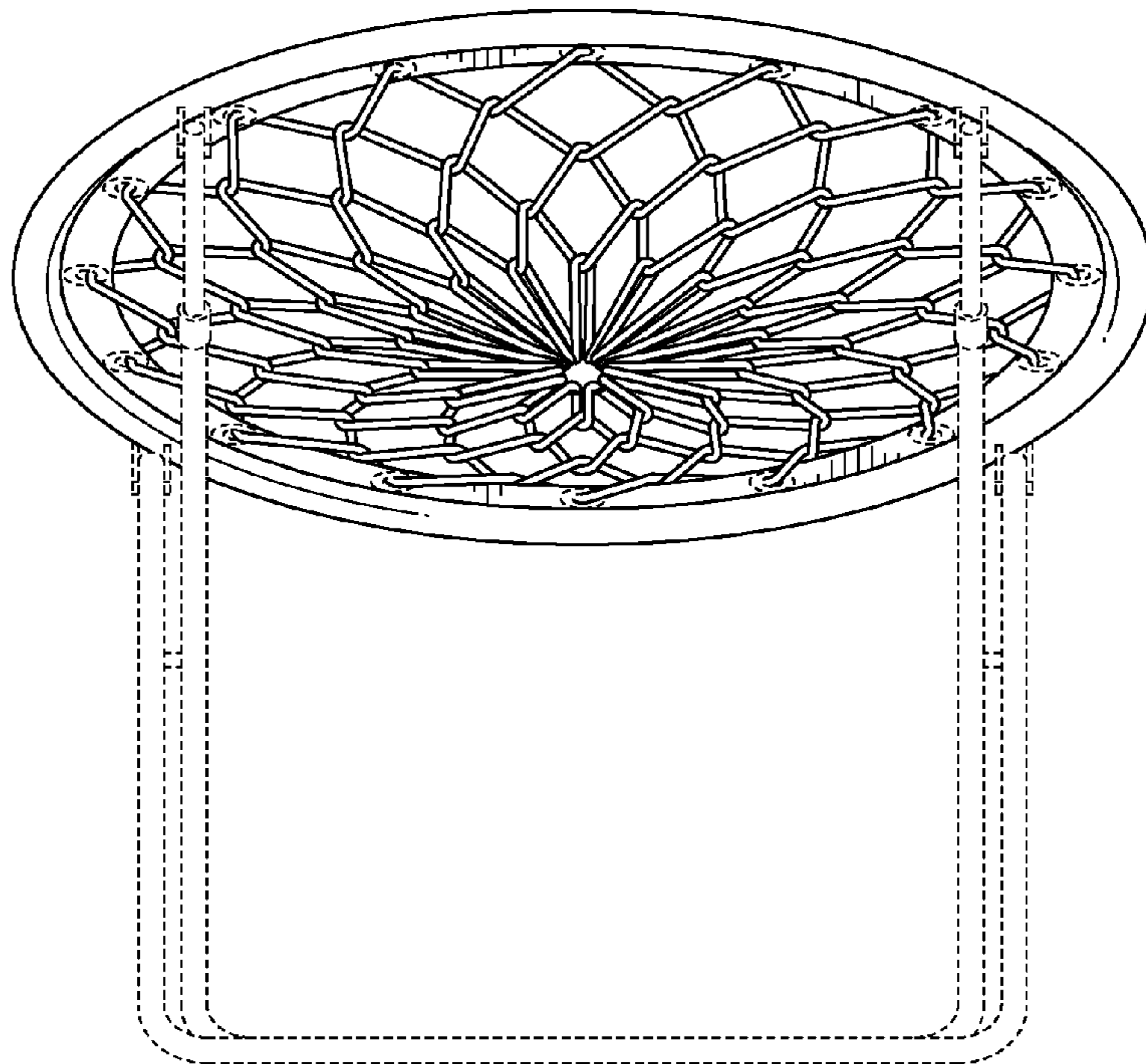


FIG. 4

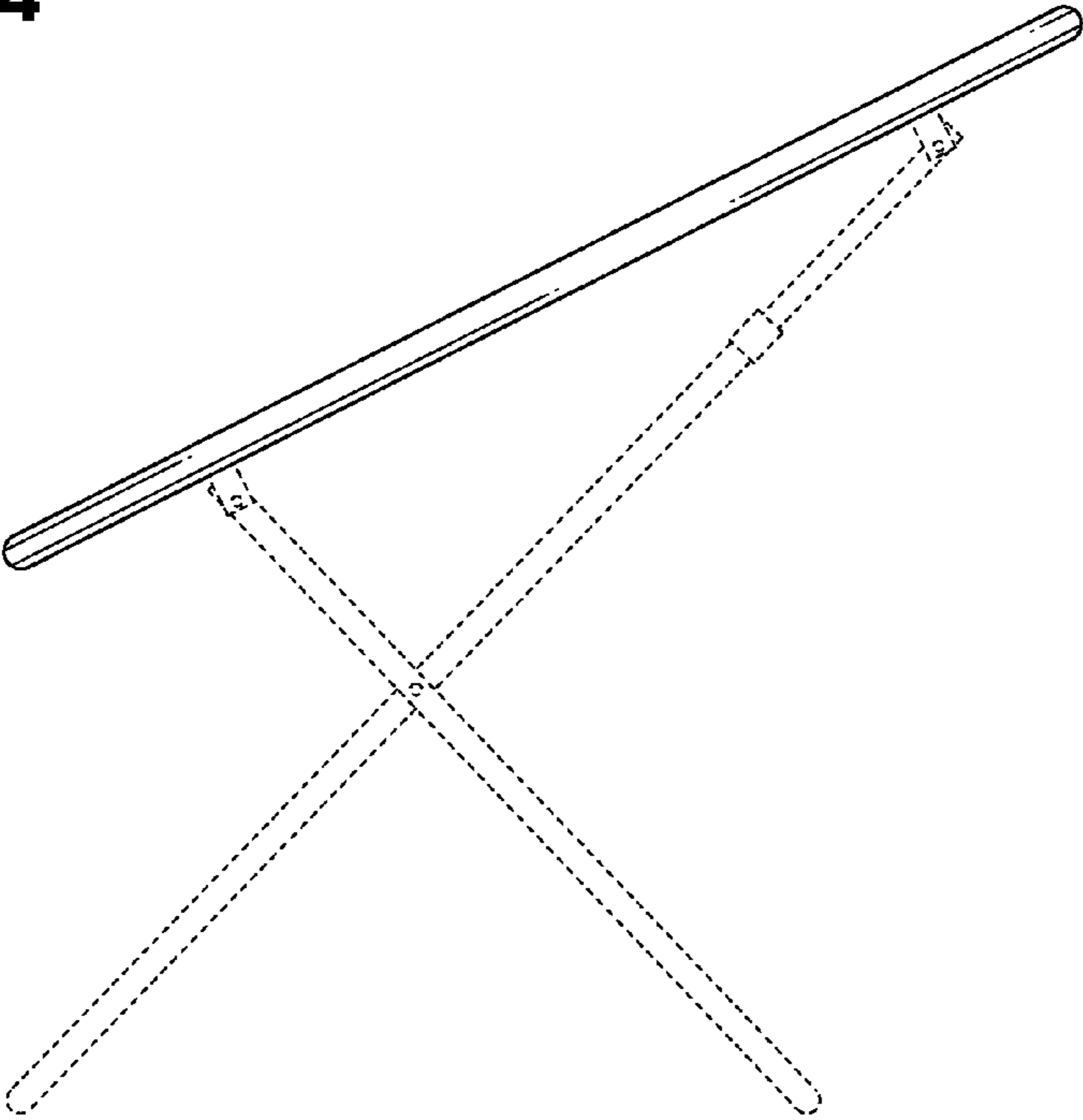


FIG. 5

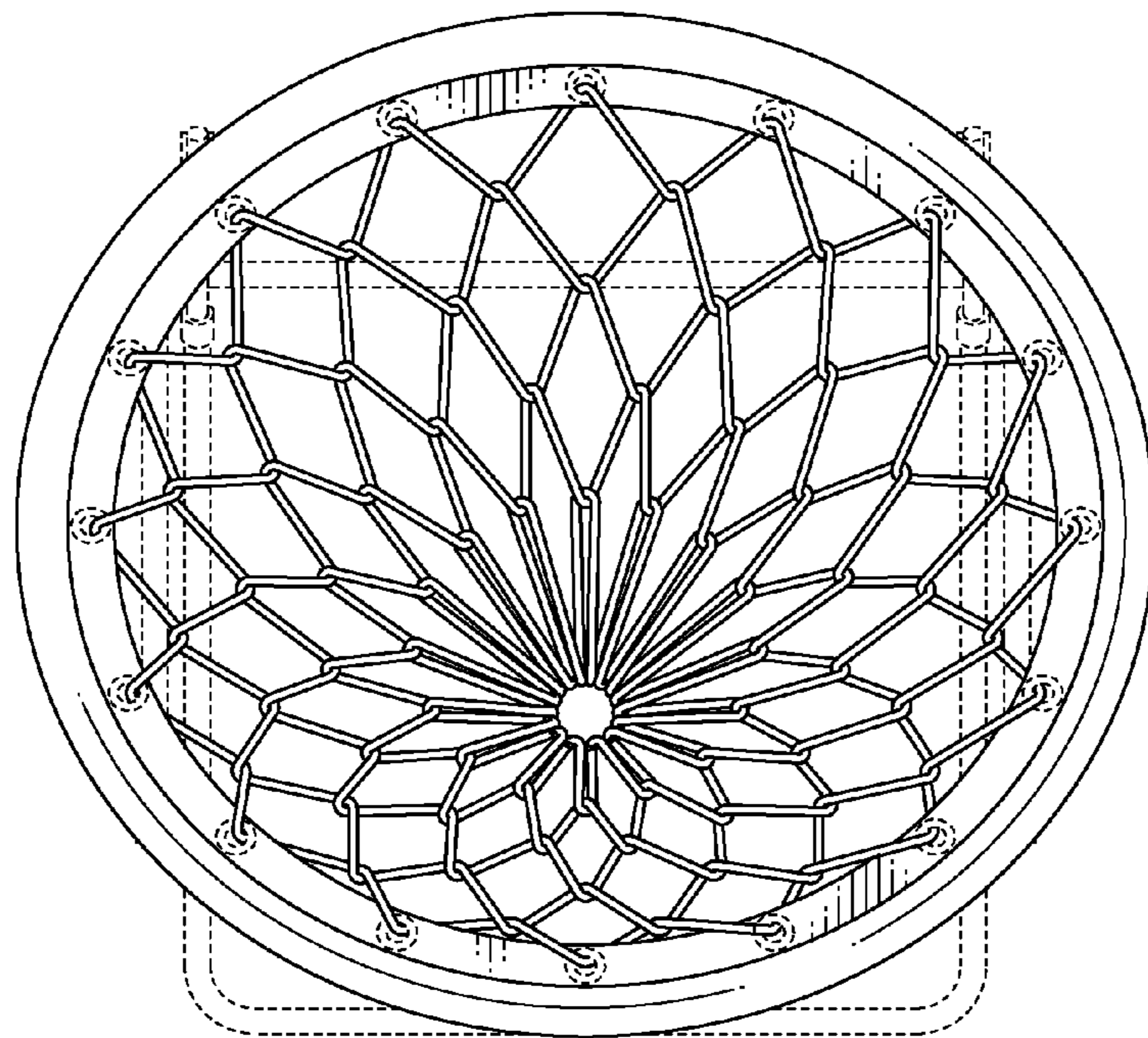


FIG. 6

