



US00D677914S

(12) **United States Design Patent**
Cardenas

(10) **Patent No.:** **US D677,914 S**
(45) **Date of Patent:** **** Mar. 19, 2013**

- (54) **RECLINER CHAIR SWING**
- (76) **Inventor:** **Oscar Cardenas**, Murrieta, CA (US)
- (**) **Term:** **14 Years**
- (21) **Appl. No.:** **29/415,579**
- (22) **Filed:** **Mar. 12, 2012**
- (51) **LOC (9) Cl.** **06-01**
- (52) **U.S. Cl.** **D6/347**
- (58) **Field of Classification Search** D6/334–336,
D6/344, 347, 361, 369, 370, 375, 376, 500–502;
297/273, 277, 452.12, 452.13, 452.19; D21/823
See application file for complete search history.

- D531,826 S * 11/2006 Nutsos D6/347
- D548,472 S 8/2007 Habing et al.
- D660,608 S * 5/2012 Hasman D6/347

* cited by examiner

Primary Examiner — Mimoso De
(74) *Attorney, Agent, or Firm* — Loyal McKinley Hanson

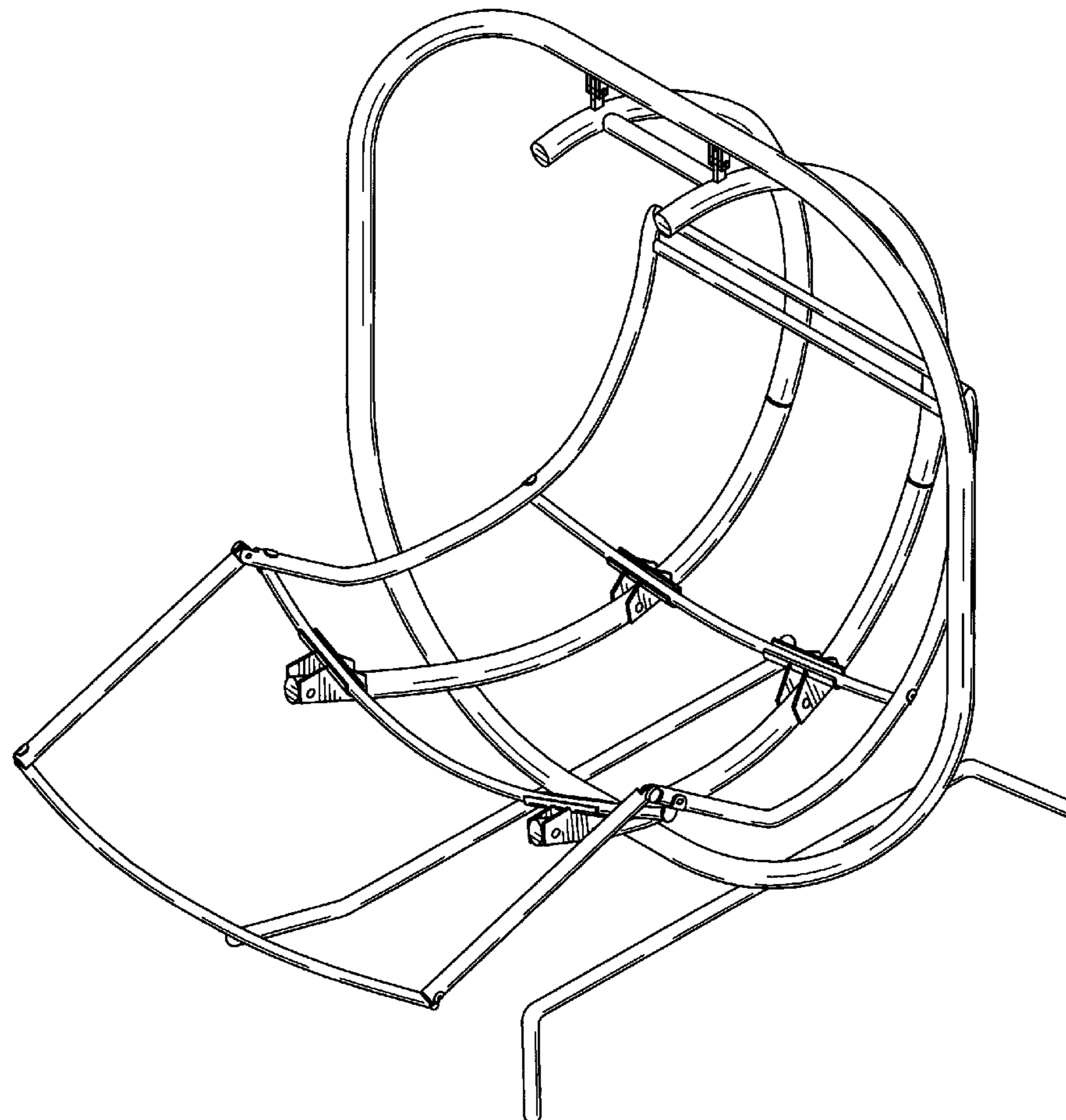
(57) **CLAIM**
I claim the ornamental design for a recliner chair swing, as shown and described.

DESCRIPTION

FIG. 1 of the drawings is a perspective view showing the front, left side, and top of a recliner chair swing embodying the design of my invention;
FIG. 2 is a front elevation view of the recliner chair swing;
FIG. 3 is a right side elevation view;
FIG. 4 is a top plan view;
FIG. 5 is a left side elevation view;
FIG. 6 is a back elevation view; and,
FIG. 7 is a bottom view.

- (56) **References Cited**
- U.S. PATENT DOCUMENTS
- 3,528,657 A * 9/1970 Krupsky 472/118
- D230,921 S * 3/1974 Bonnell D6/347
- 5,588,702 A * 12/1996 Litwin 297/277
- D522,259 S * 6/2006 Wu D6/347

1 Claim, 7 Drawing Sheets



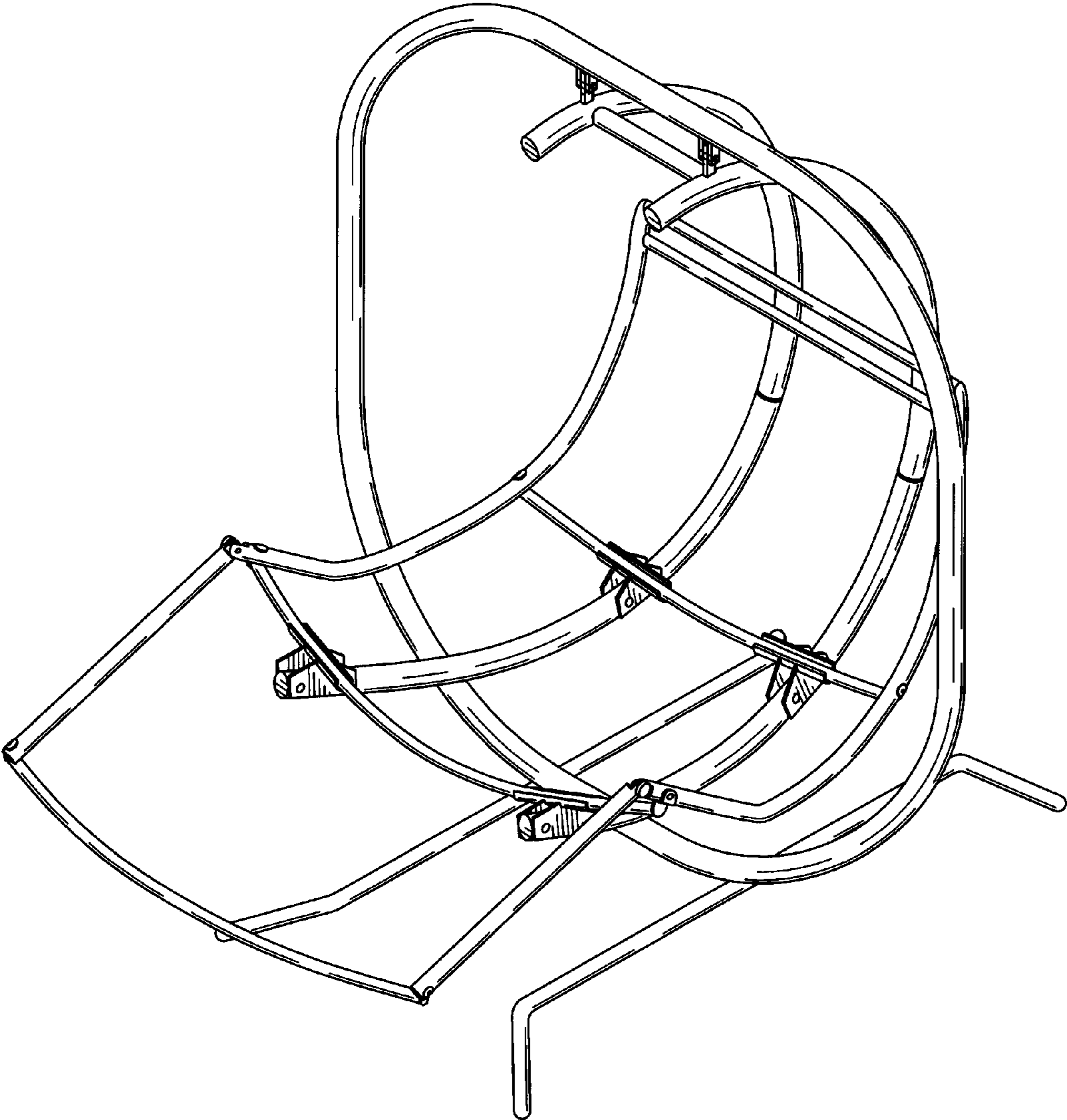


FIG. 1

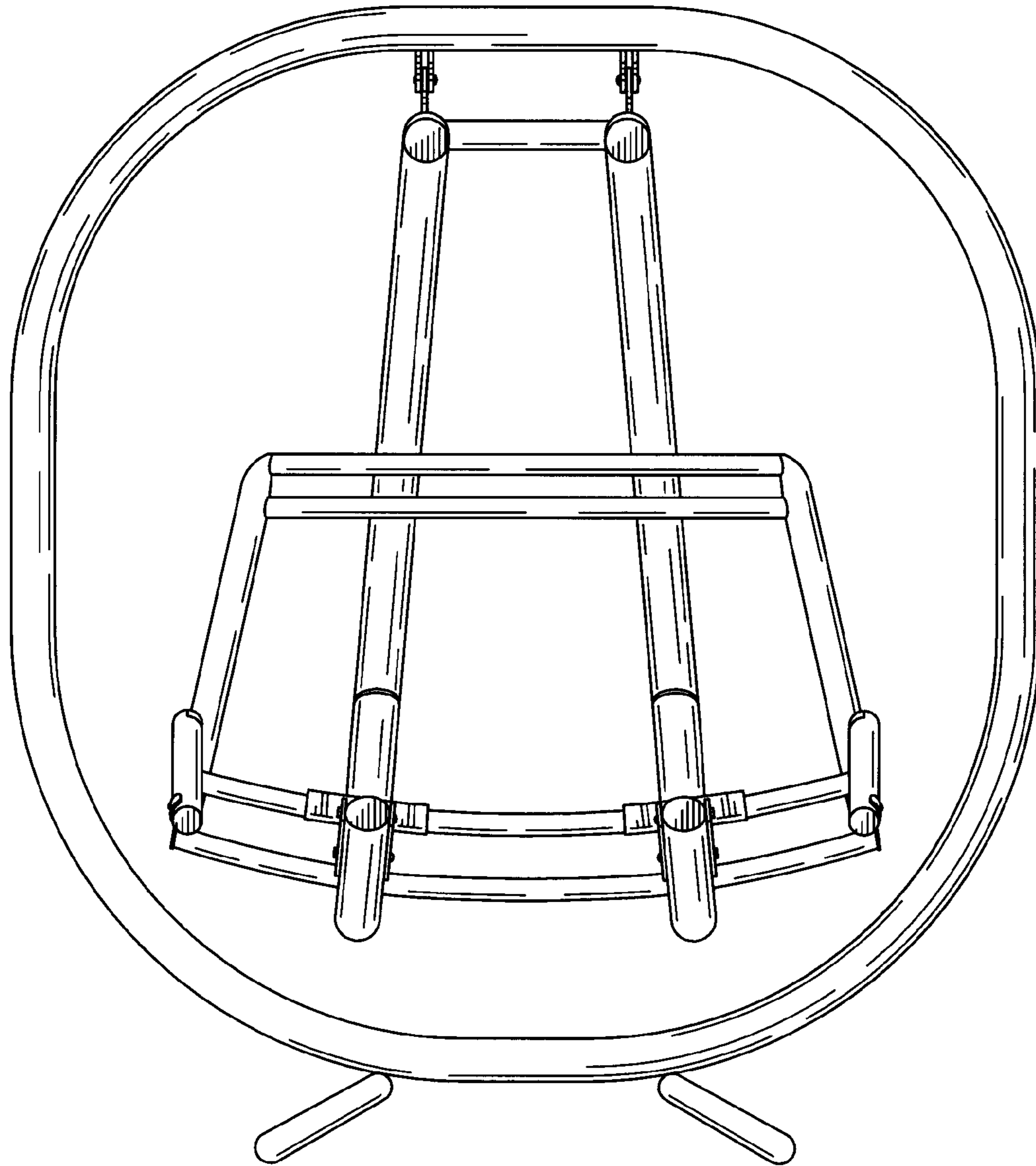


FIG. 2

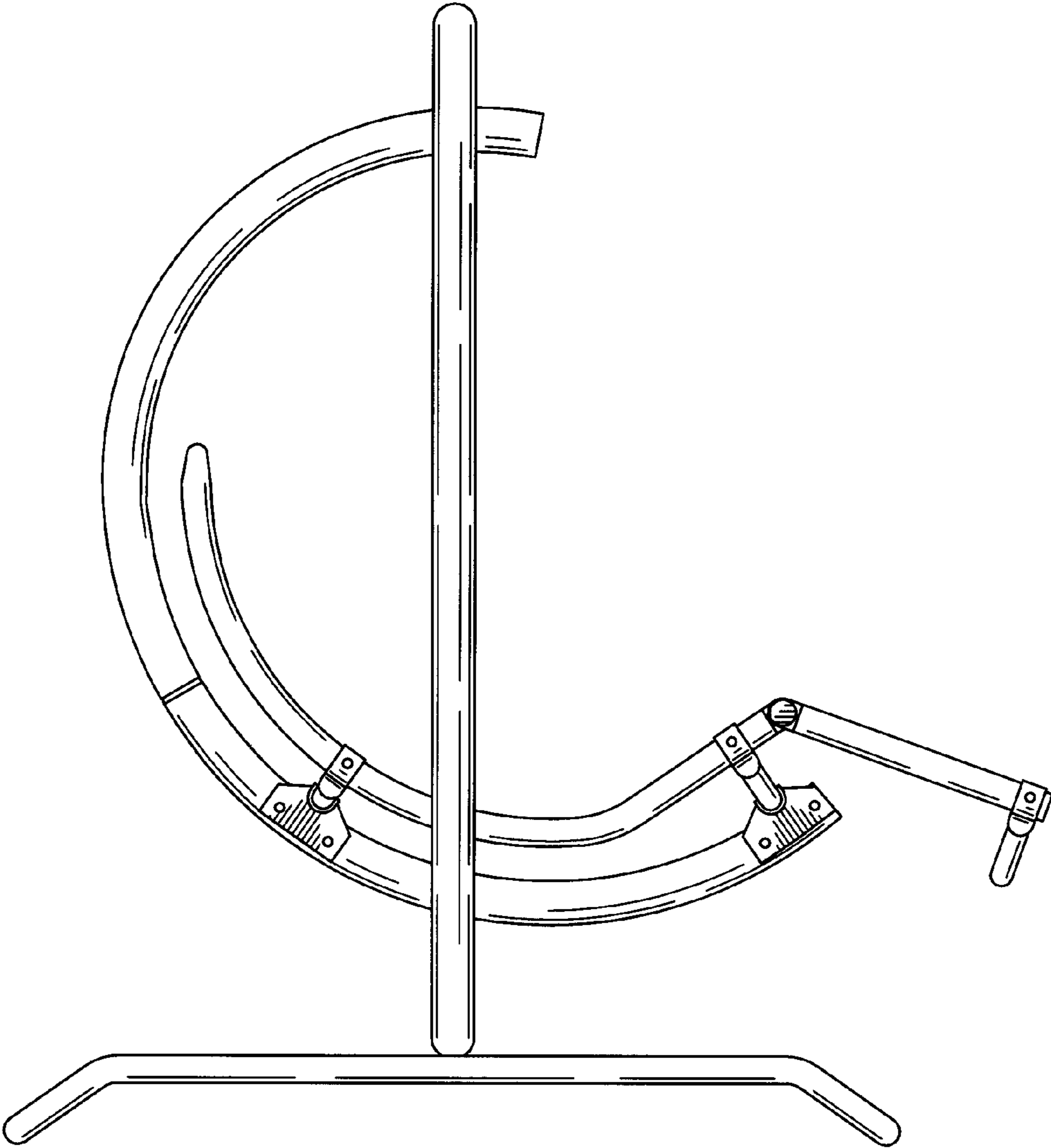


FIG. 3

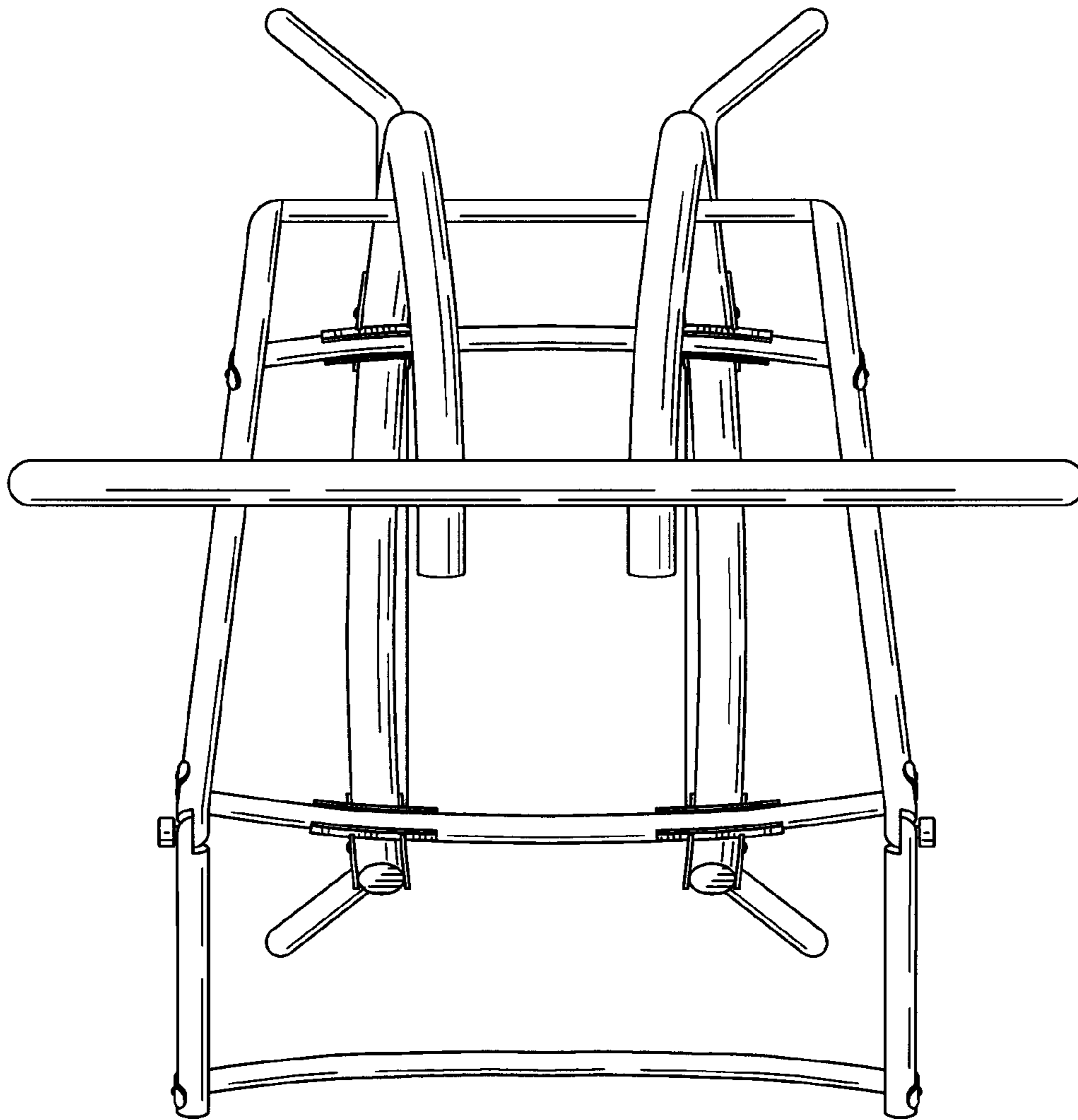


FIG. 4

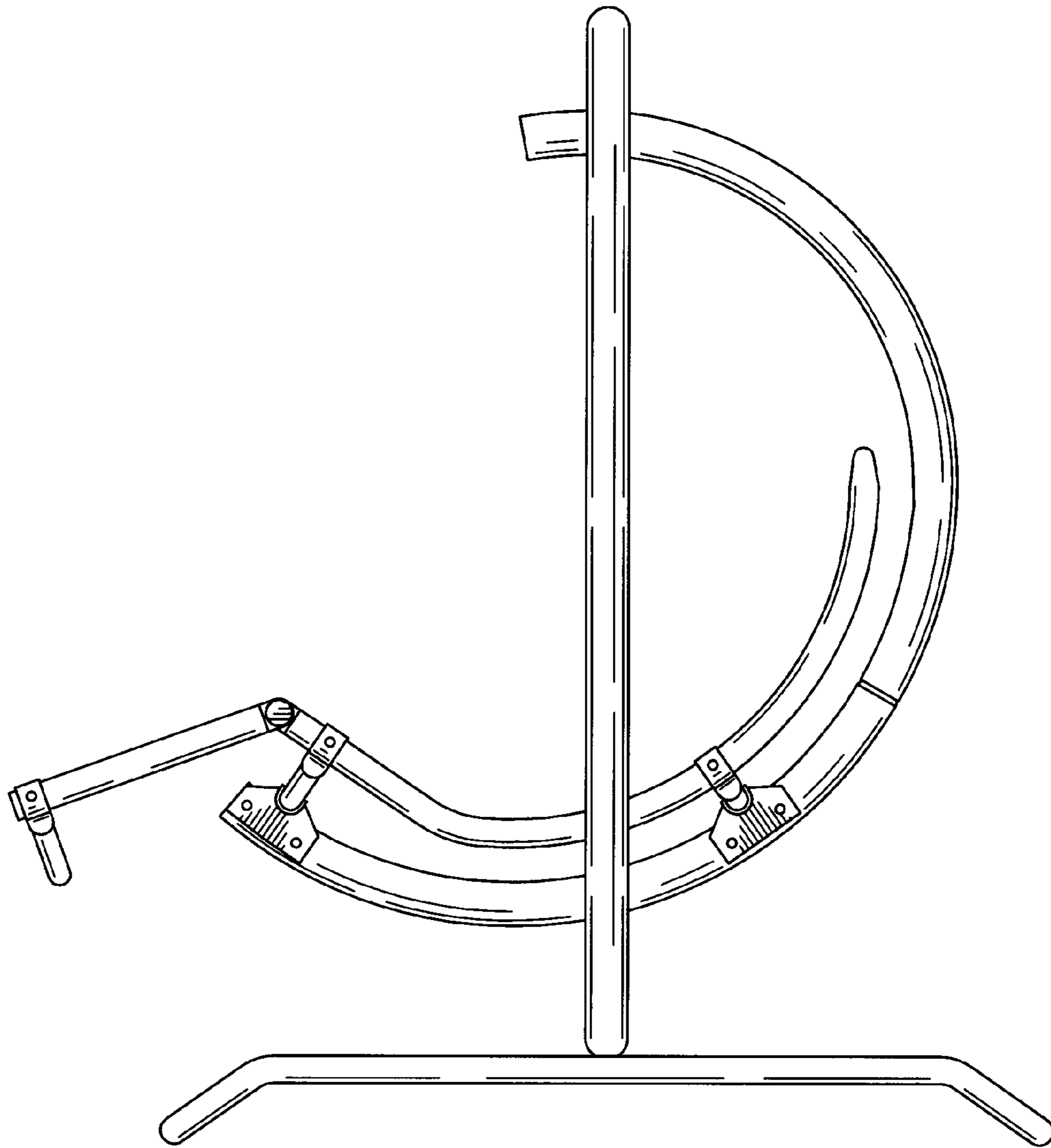


FIG. 5

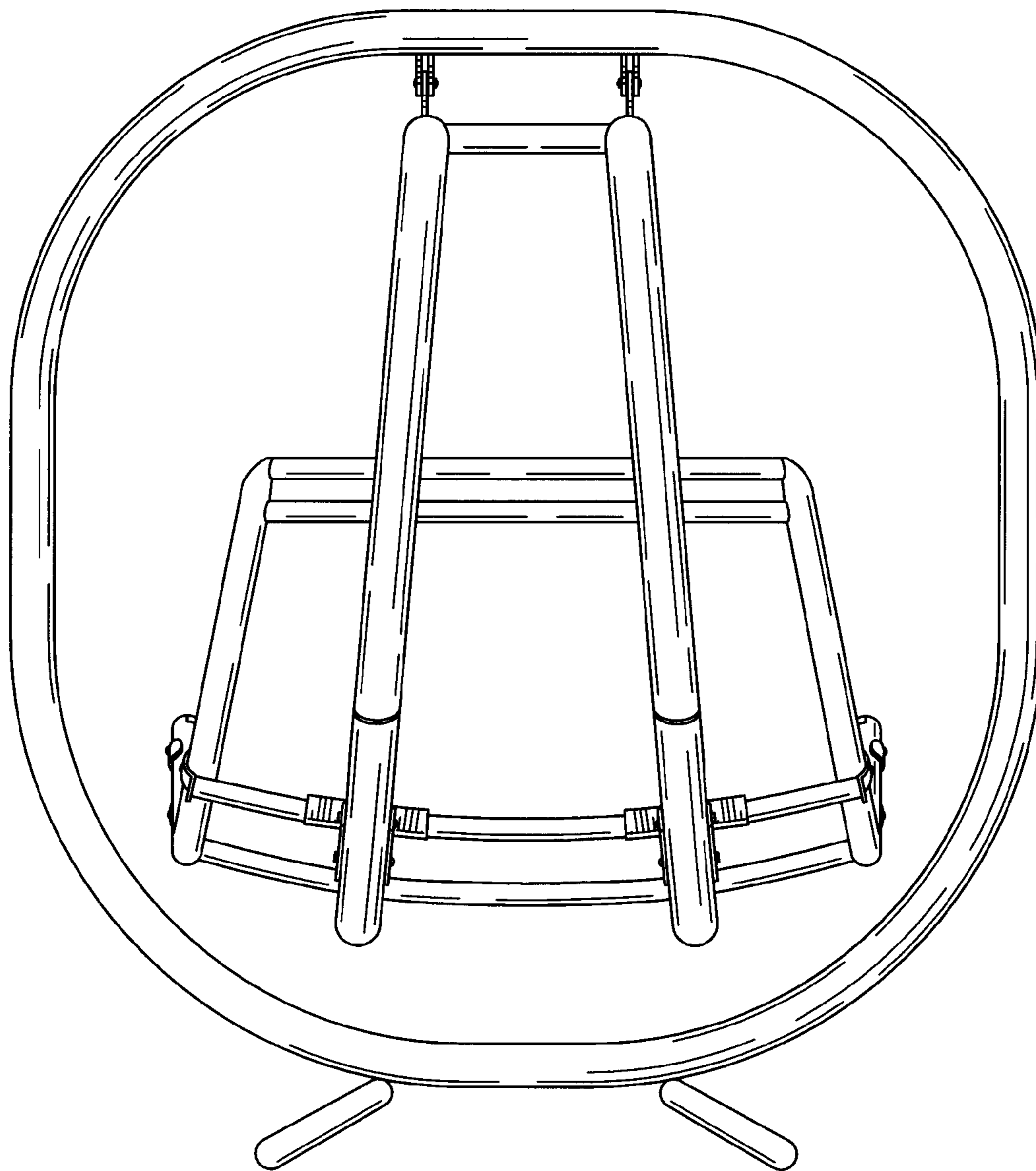


FIG. 6

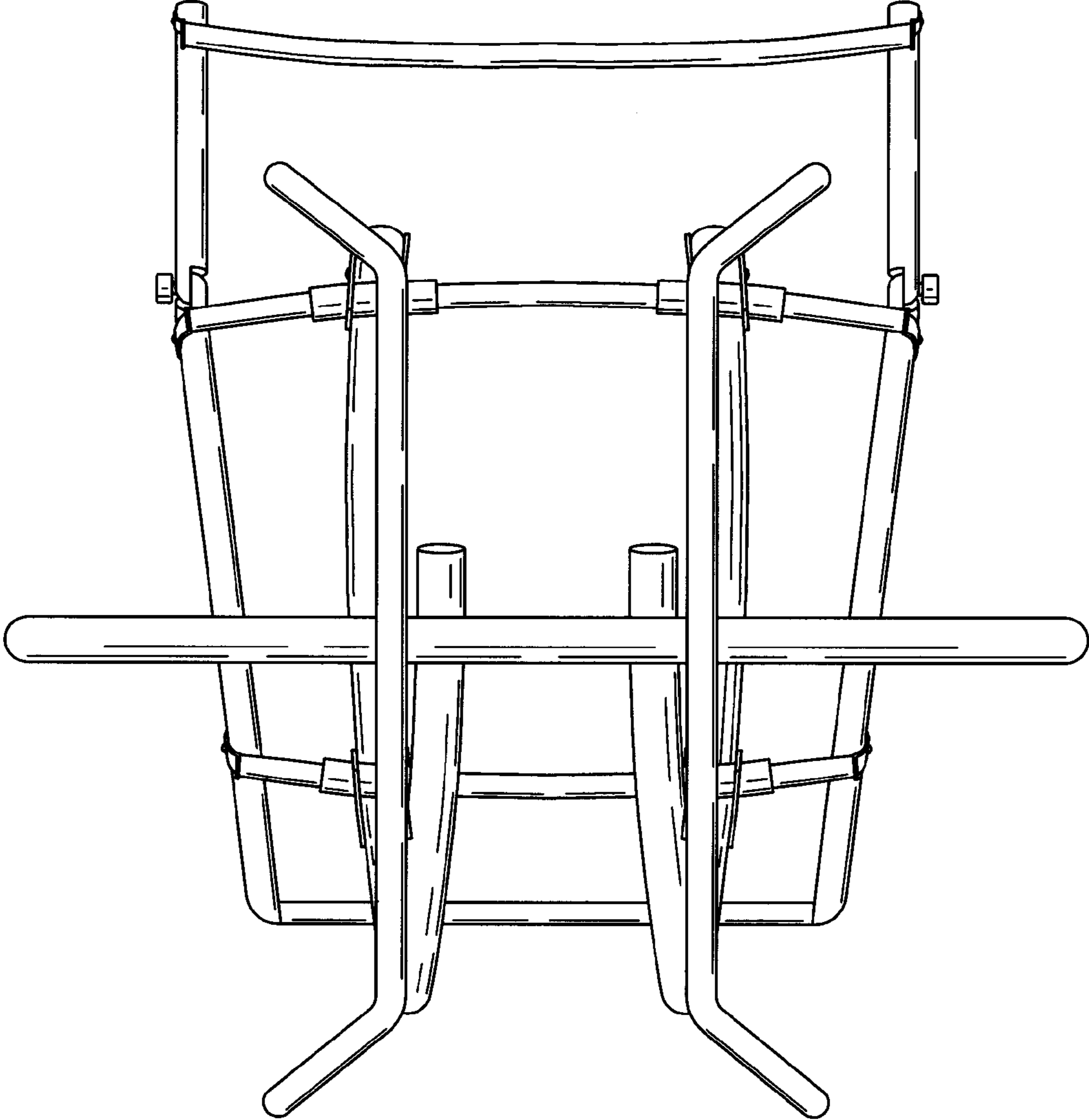


FIG. 7