



US00D677910S

(12) **United States Design Patent**
Shaw

(10) **Patent No.:** **US D677,910 S**
(45) **Date of Patent:** **** *Mar. 19, 2013**

(54) **FRAME WITH SEAT AND HEAD SUPPORT FOR INFANT**

FOREIGN PATENT DOCUMENTS

EM 001187090-0005 A1 4/2010

(76) Inventor: **Richard Shaw**, Manchester (GB)

OTHER PUBLICATIONS

(*) Notice: This patent is subject to a terminal disclaimer.

Product displayed on Jul. 3, 2009 in Huddersfield, United Kingdom in private exhibition to international business partners bound by confidentiality agreements.

(**) Term: **14 Years**

* cited by examiner

(21) Appl. No.: **29/365,162**

Primary Examiner — Ian Simmons

(22) Filed: **Jul. 4, 2010**

Assistant Examiner — Abraham Bahta

(74) *Attorney, Agent, or Firm* — Powley & Gibson, P.C.

(30) **Foreign Application Priority Data**

Jan. 4, 2010 (EM) 001187090-0005

(51) **LOC (9) Cl.** **06-01**

(52) **U.S. Cl.** **D6/333**

(58) **Field of Classification Search** D6/333-335,
D6/391, 500-502; 297/93, 156, 174 CC,
297/214, 215.12, 216.1, 219.12, 183.1, 183.3,
297/256.1, 256.11-256.17, 255, 467, 468,
297/487, 788, 294, 296; 5/94, 93.1; D12/128;
D21/419, 688

See application file for complete search history.

(56) **References Cited**

U.S. PATENT DOCUMENTS

D337,894 S *	8/1993	Mariol	D6/333
D343,958 S *	2/1994	Greenwood	D6/333
D366,965 S *	2/1996	Meeker et al.	D6/333
D374,558 S *	10/1996	Kain	D6/333
D429,075 S *	8/2000	Cone, II	D6/333
D430,737 S *	9/2000	Nowak et al.	D6/333
D447,879 S *	9/2001	Hsia	D6/333
D461,062 S *	8/2002	Wu	D6/344
D492,851 S *	7/2004	Kane	D6/333
D506,322 S *	6/2005	Owen	D6/333
D507,121 S *	7/2005	Eyman et al.	D6/344
D558,467 S *	1/2008	Hou et al.	D6/333
D575,536 S *	8/2008	Bizzell et al.	D6/333

(57) **CLAIM**

I claim the ornamental design for a frame with seat and head support for infant, as shown and described.

DESCRIPTION

FIG. 1 is a front perspective view of the frame with seat and head support for infant, showing my new design in full lines; FIG. 2 is a rear perspective view of the frame with seat and head support for infant in full lines; FIG. 3 is a front view of the frame with seat and head support for infant in full lines; FIG. 4 is a rear view of the frame with seat and head support for infant in full lines; FIG. 5 is a left side view of the frame with seat and head support for infant in full lines; FIG. 6 is a right side view of the frame with seat and head support for infant in full lines; and, FIG. 7 is a top view of the frame with seat and head support for infant in full lines.

The broken line showing of portions of the frame with seat, head support and kick pad for infant is included for the purpose of illustrating environmental structure and forms no part of the claimed design.

1 Claim, 7 Drawing Sheets

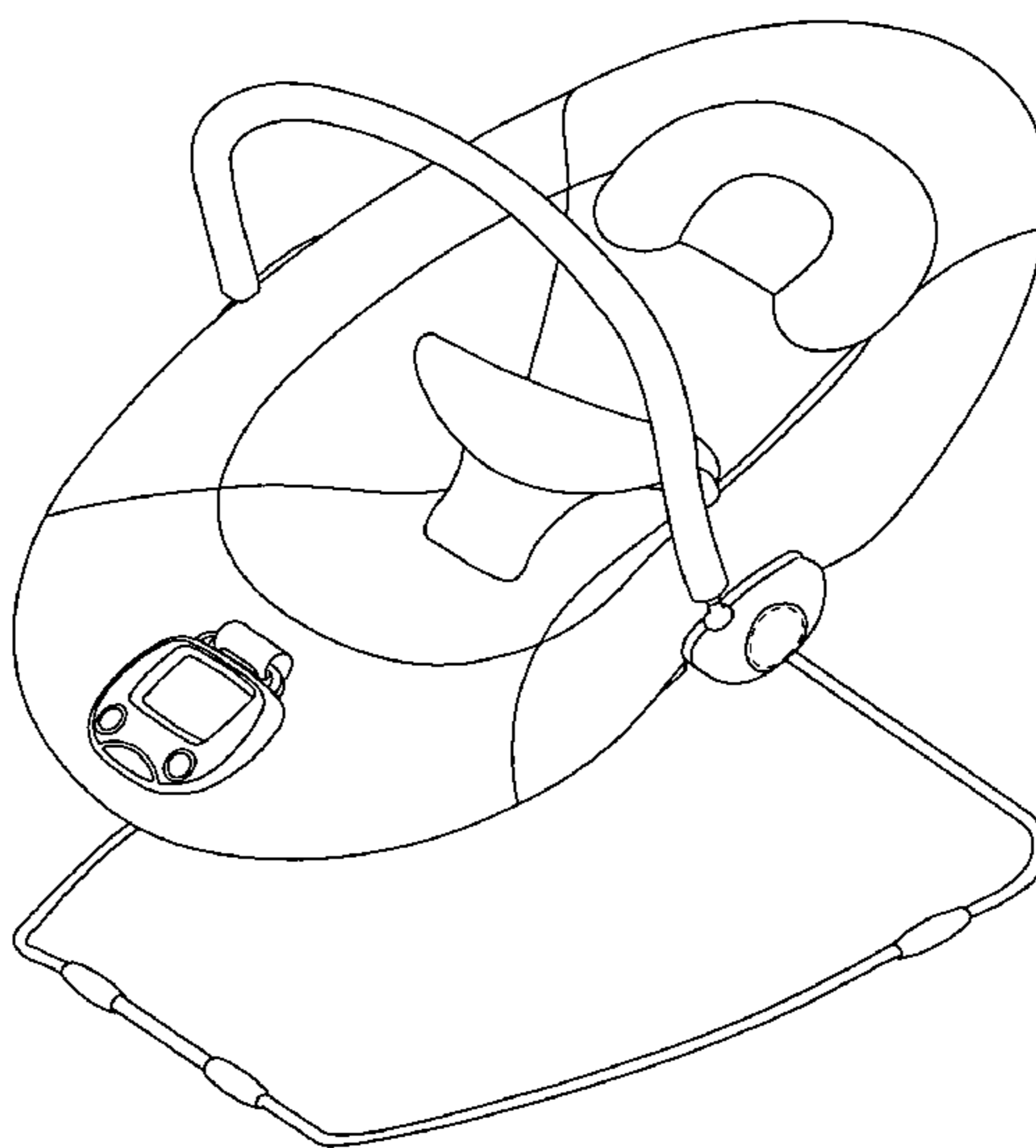


FIG. 1

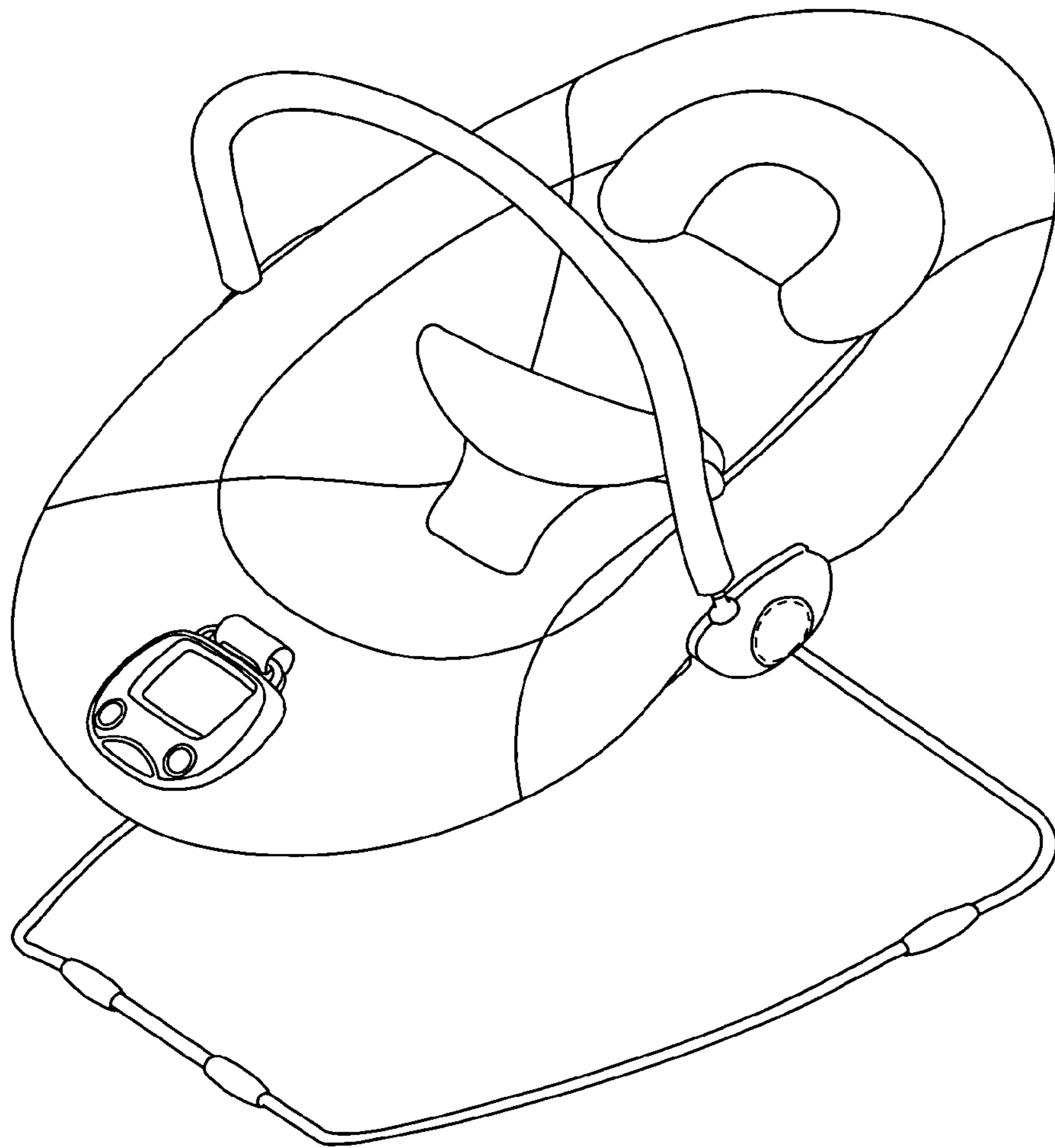


FIG. 2

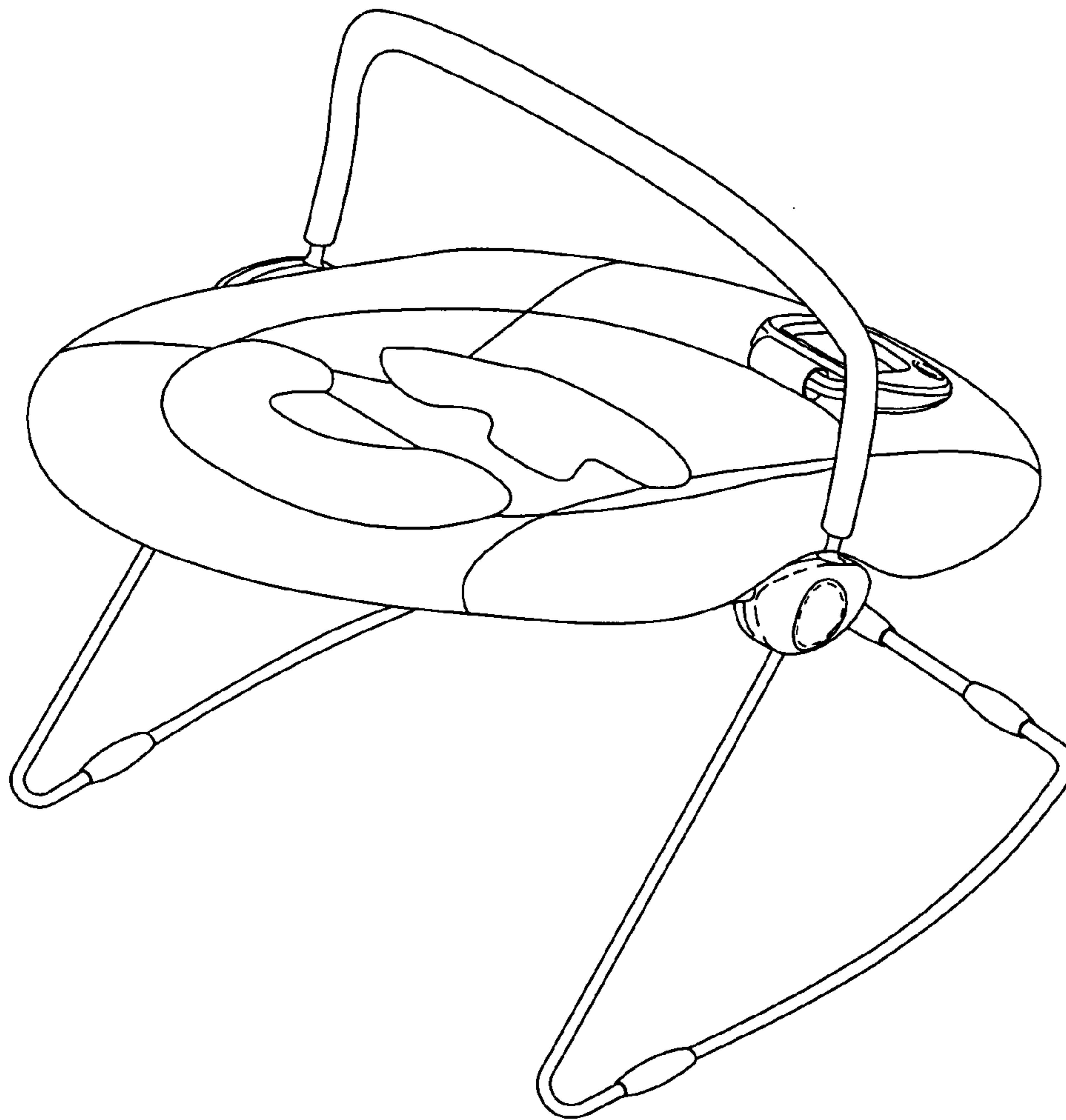


FIG. 3

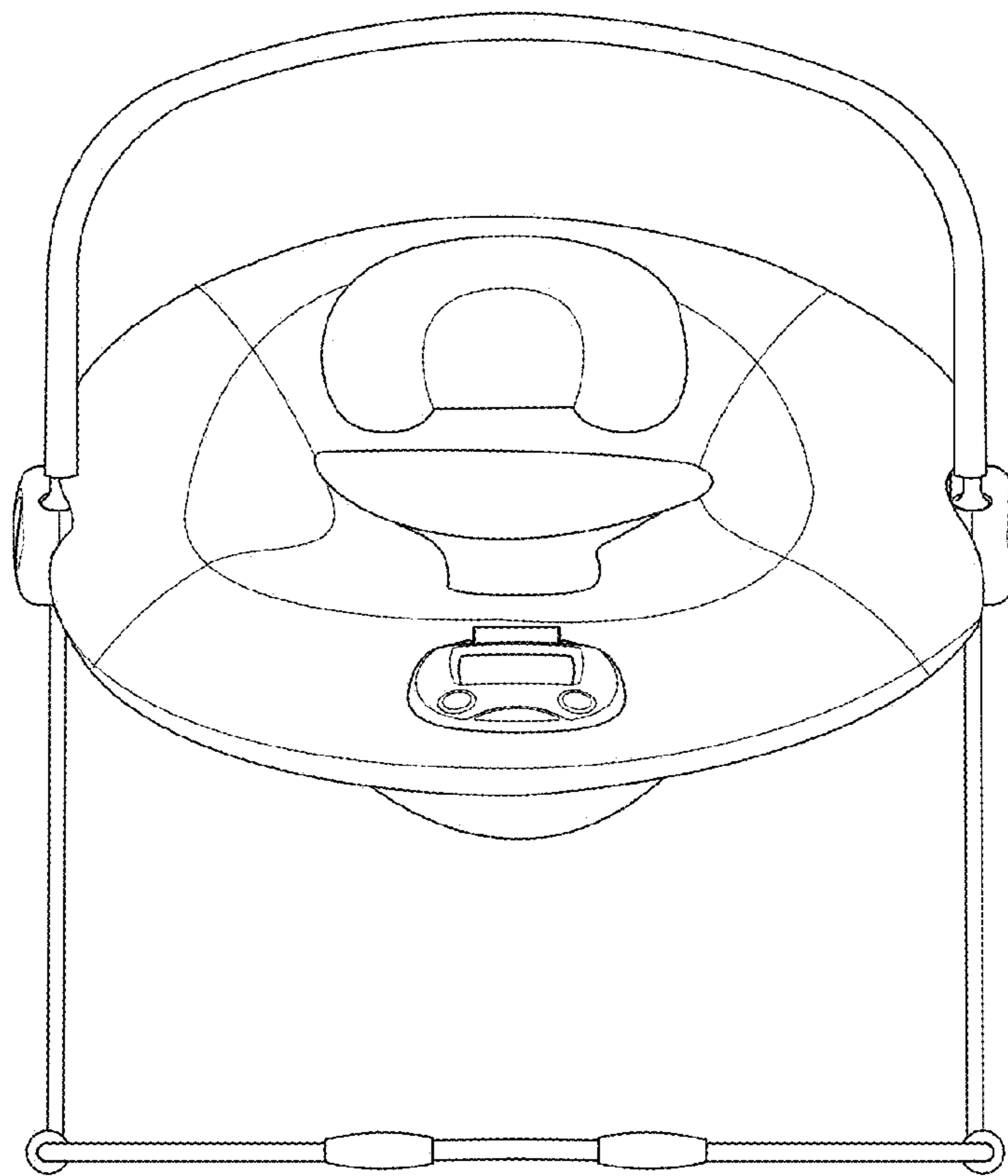


FIG. 4

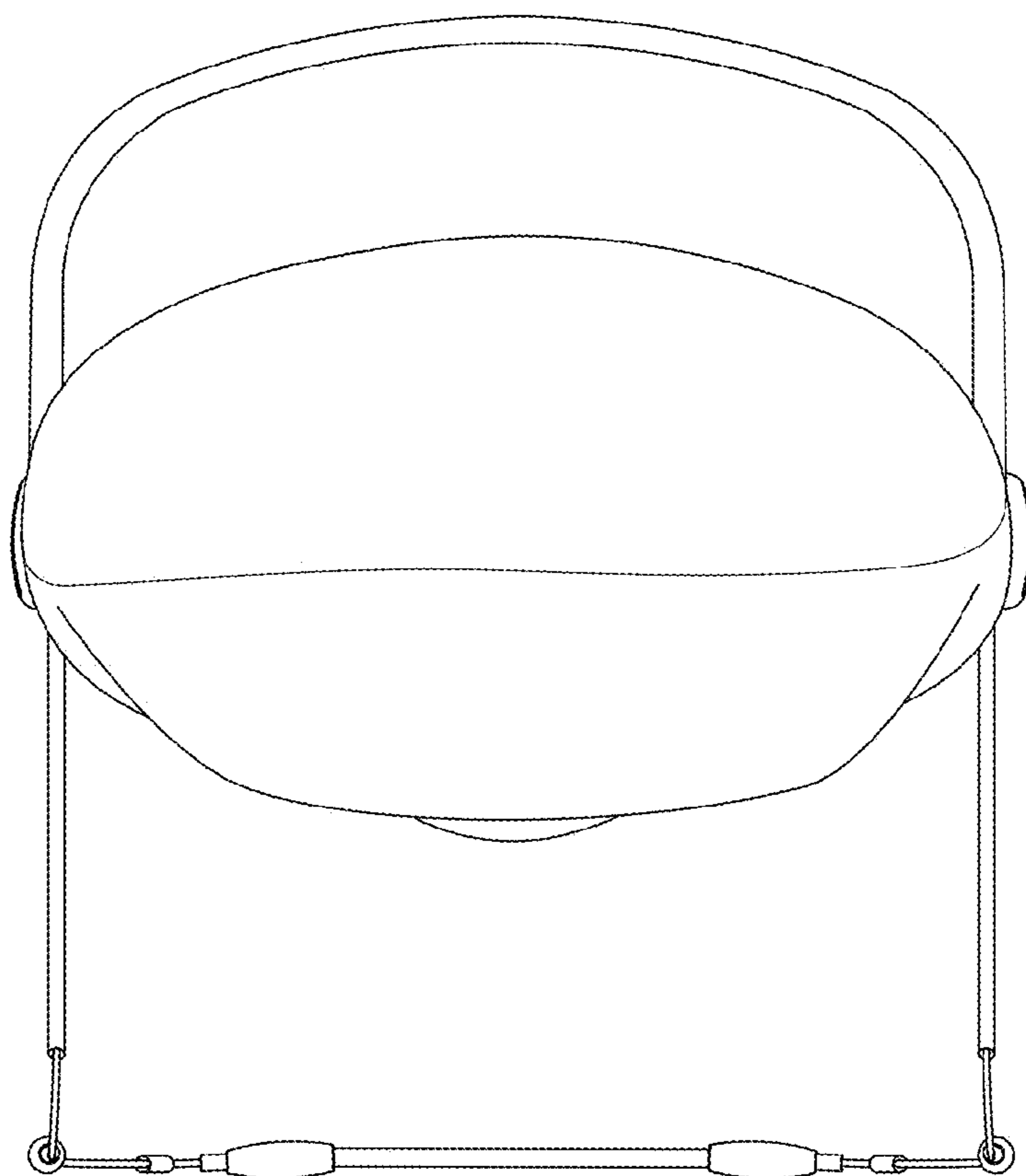


FIG. 5

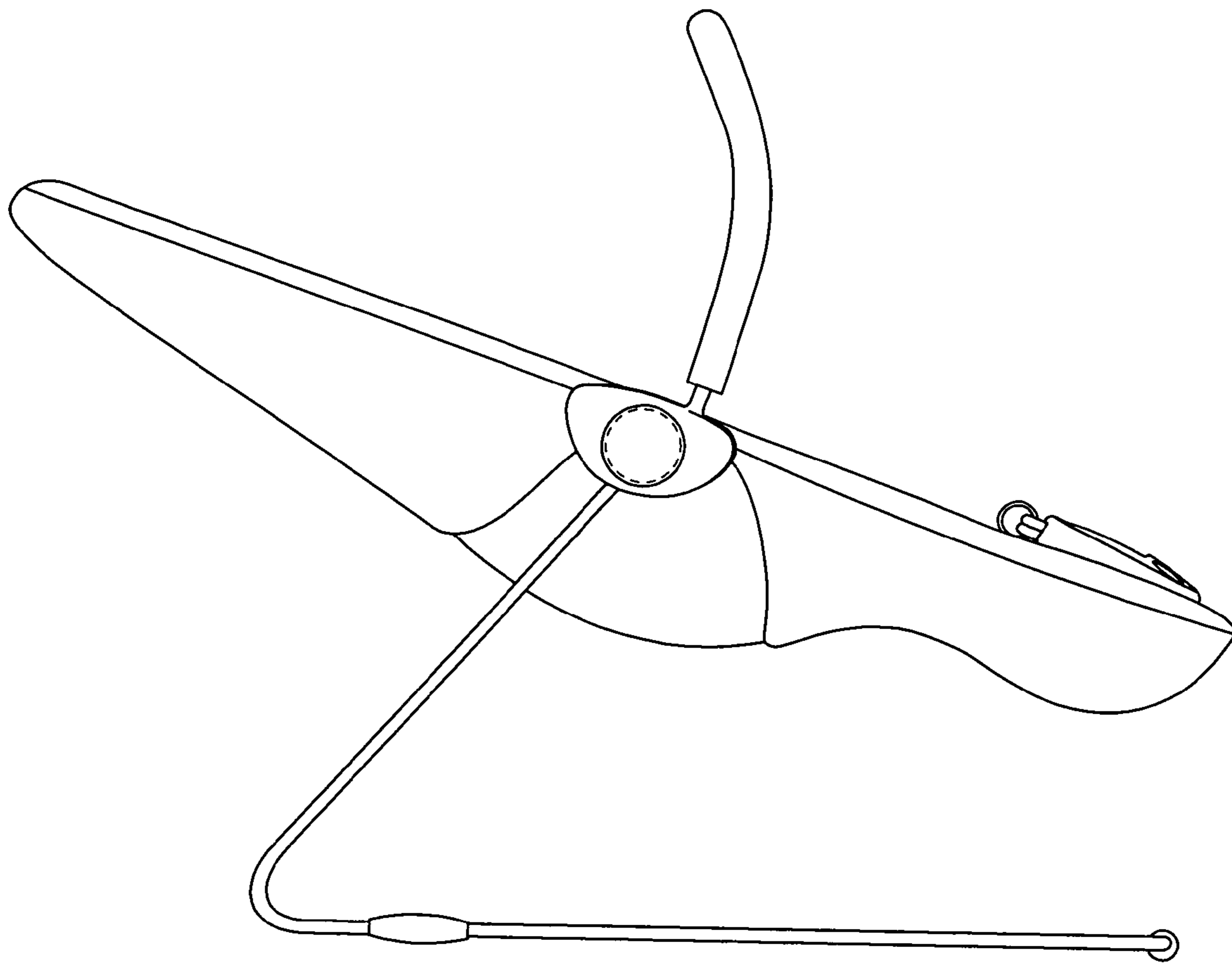


FIG. 6

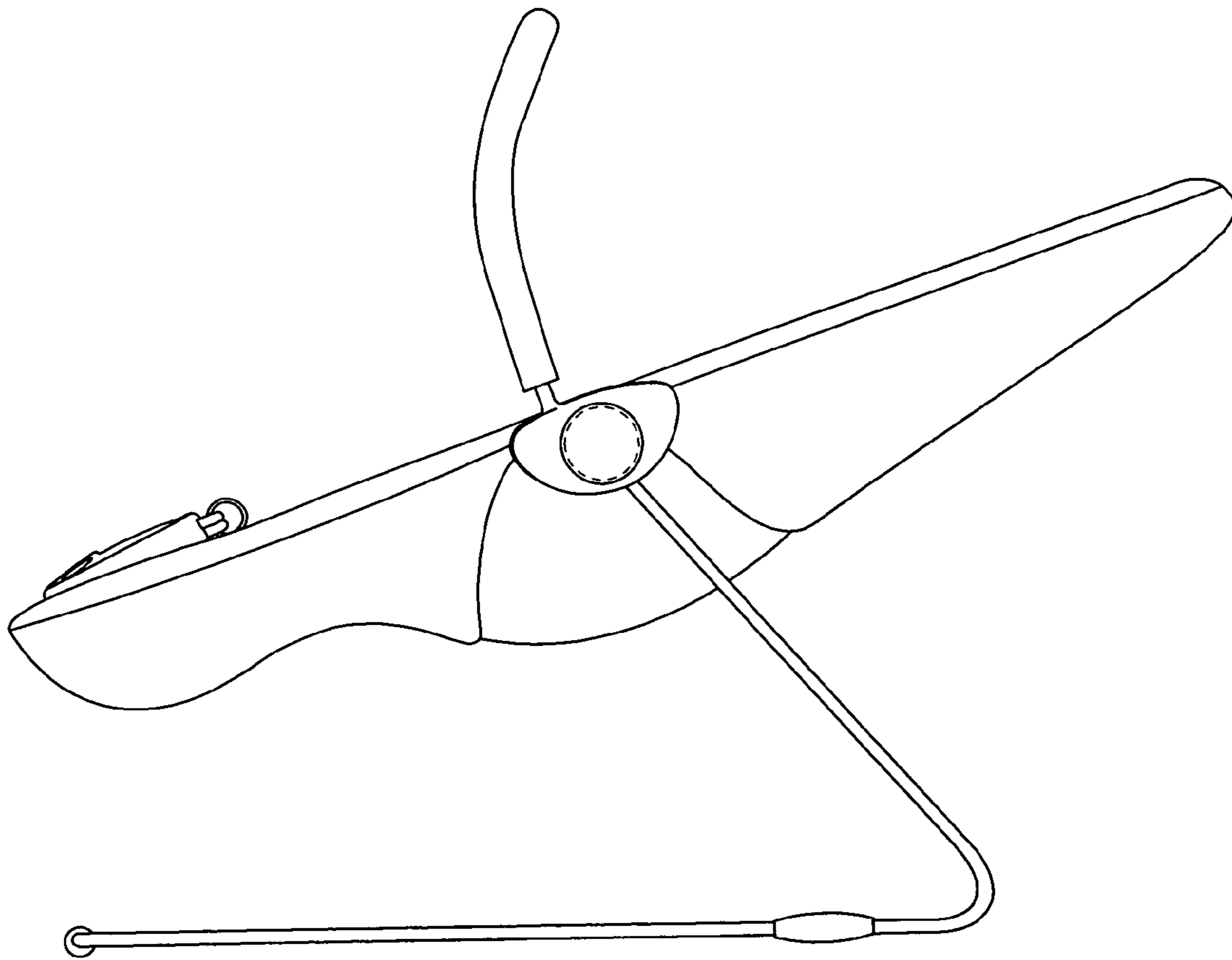
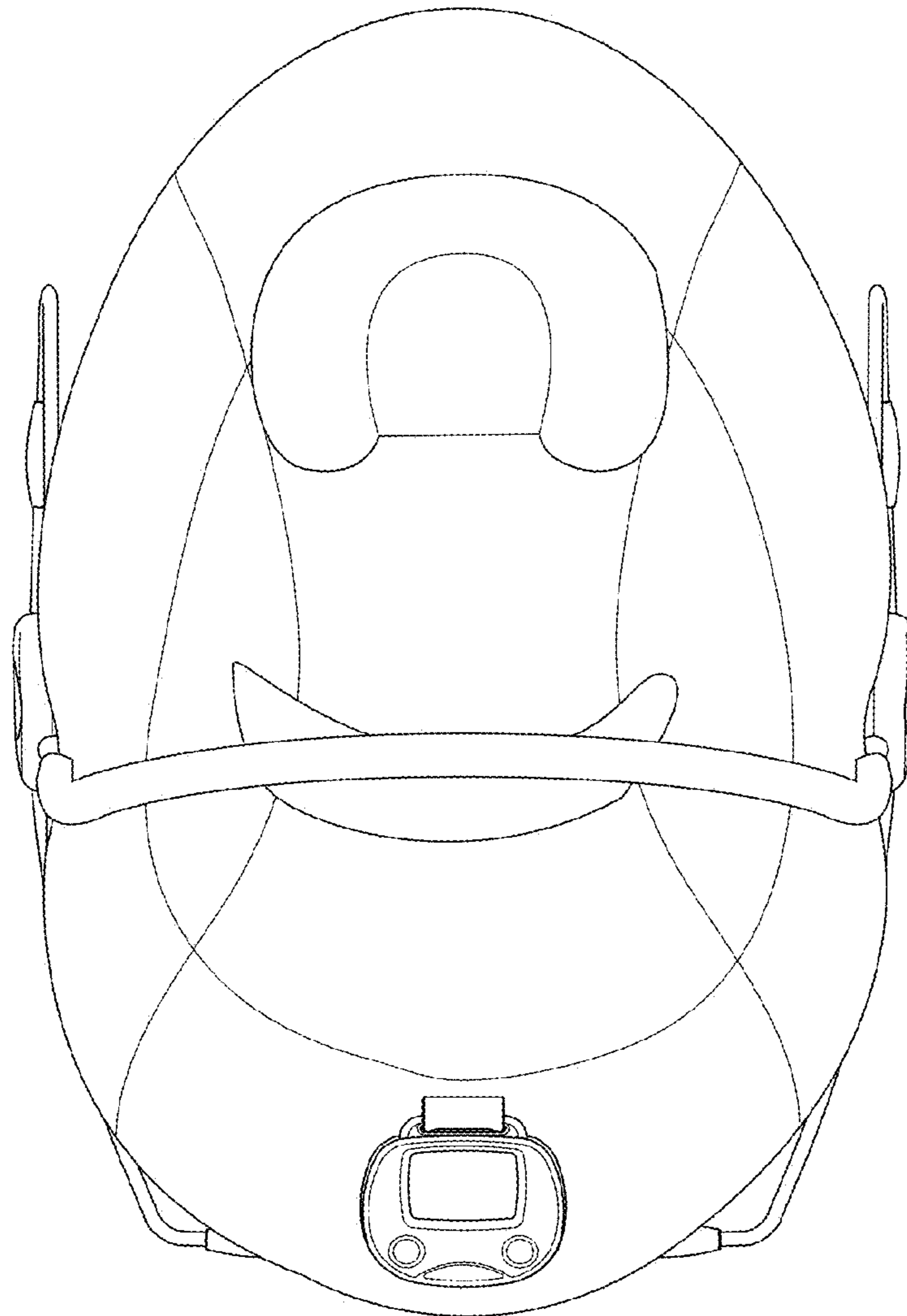


FIG. 7



UNITED STATES PATENT AND TRADEMARK OFFICE
CERTIFICATE OF CORRECTION

PATENT NO. : D677,910 S
APPLICATION NO. : 29/365162
DATED : March 19, 2013
INVENTOR(S) : Richard Shaw

Page 1 of 1

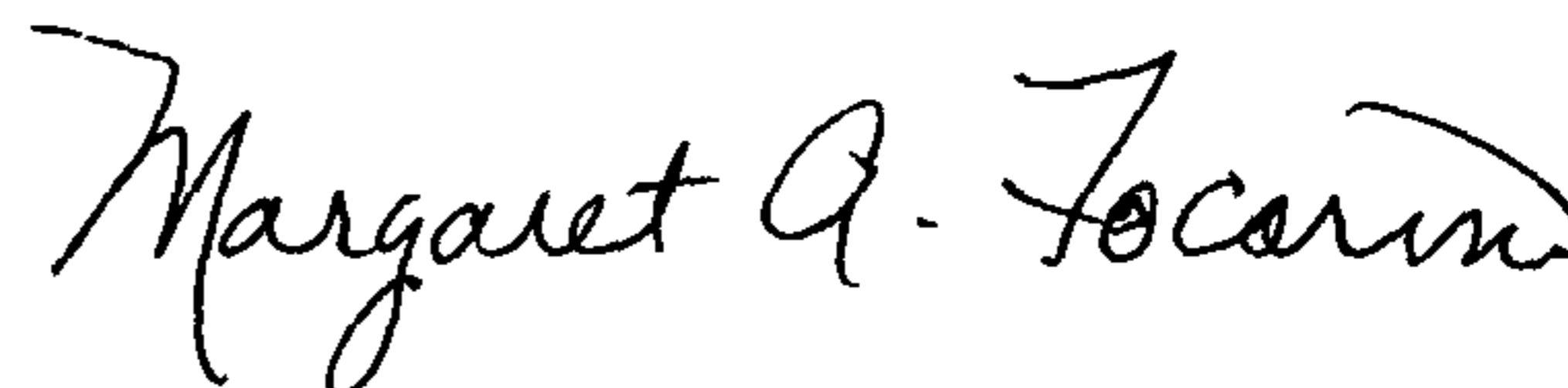
It is certified that error appears in the above-identified patent and that said Letters Patent is hereby corrected as shown below:

On the Title Page, “(76) Inventor: Richard Shaw, Manchester (GB)” should read
--(75) Inventor: Richard Shaw, Manchester (GB)--

On the Title Page, insert item (73), below inventor as follows:

Mamas & Papas (Holdings) Limited
Colne Bridge Road
Huddersfield, West Yorkshire
United Kingdom HD5 0RH

Signed and Sealed this
Twenty-fourth Day of December, 2013



Margaret A. Focarino
Commissioner for Patents of the United States Patent and Trademark Office