



US00D677903S

(12) **United States Design Patent**
Boukair

(10) **Patent No.:** **US D677,903 S**

(45) **Date of Patent:** **** Mar. 19, 2013**

(54) **PAINT ROLLER**

(76) **Inventor:** **Moe Boukair**, Redondo Beach, CA (US)

(**) **Term:** **14 Years**

(21) **Appl. No.:** **29/427,309**

(22) **Filed:** **Jul. 17, 2012**

(51) **LOC (9) Cl.** **08-05**

(52) **U.S. Cl.** **D4/122**

(58) **Field of Classification Search** D4/122,
D4/199; D6/317, 566; D8/370, 373, 107,
D8/303; 15/27, 230.11; 211/106.01; 248/302;
492/13, 16, 17, 19; 16/422, 430, 431, 902,
16/DIG. 12, DIG. 18, DIG. 19
See application file for complete search history.

(56) **References Cited**

U.S. PATENT DOCUMENTS

D318,790 S *	8/1991	Brooks	D8/370
D345,096 S *	3/1994	Shapiro	D8/373
D405,958 S *	2/1999	Mollack	D4/122
D574,153 S *	8/2008	Dehart	D4/122
D578,769 S *	10/2008	Patterson	D4/122
D584,059 S *	1/2009	Arvinte et al.	D4/122

D602,696 S *	10/2009	Morad et al.	D4/122
D603,609 S *	11/2009	Reed	D4/122
D630,856 S *	1/2011	Arvinte et al.	D4/122

* cited by examiner

Primary Examiner — Austin Murphy

(74) *Attorney, Agent, or Firm* — Michael D. Eisenberg

(57) **CLAIM**

The ornamental design for a paint roller, as shown and described.

DESCRIPTION

FIG. 1 is a perspective view of a paint roller showing my new design;

FIG. 2 is a right side view of the paint roller;

FIG. 3 is a left side view of the paint roller;

FIG. 4 is a front view of the paint roller;

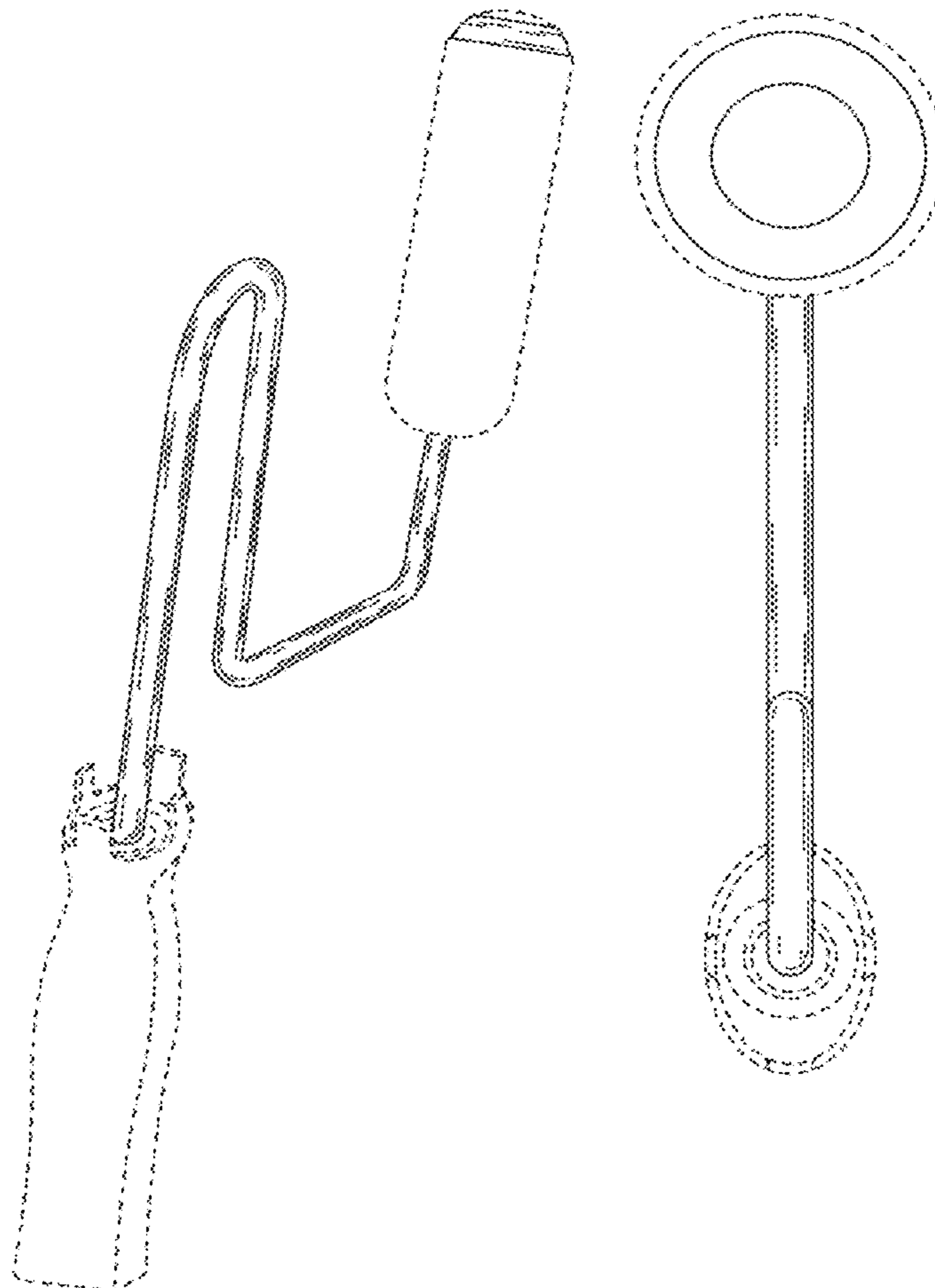
FIG. 5 is a rear view of the paint roller;

FIG. 6 is a top view of the paint roller; and,

FIG. 7 is a bottom view of the paint roller.

The broken lines shown are for illustrative purposes only and form no part of the claimed design.

1 Claim, 7 Drawing Sheets



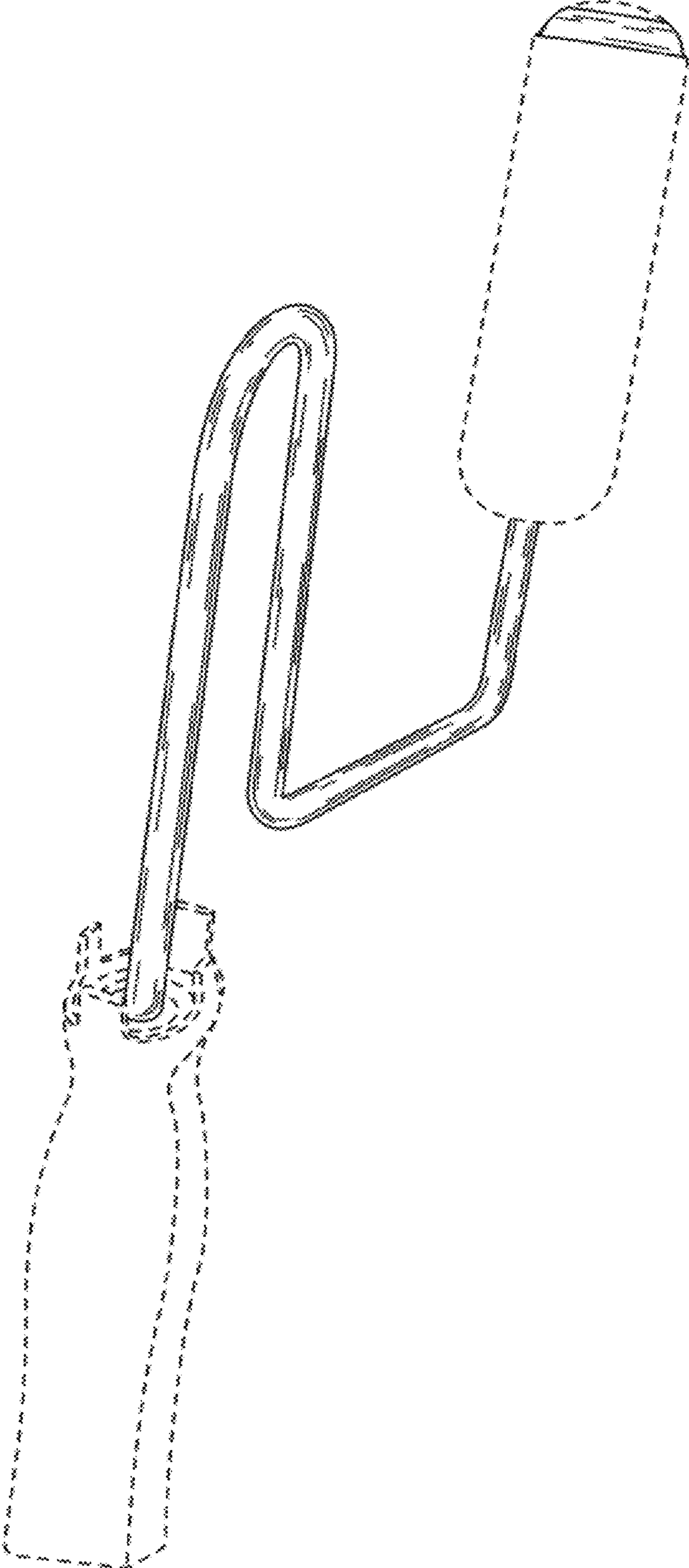


FIG. 1

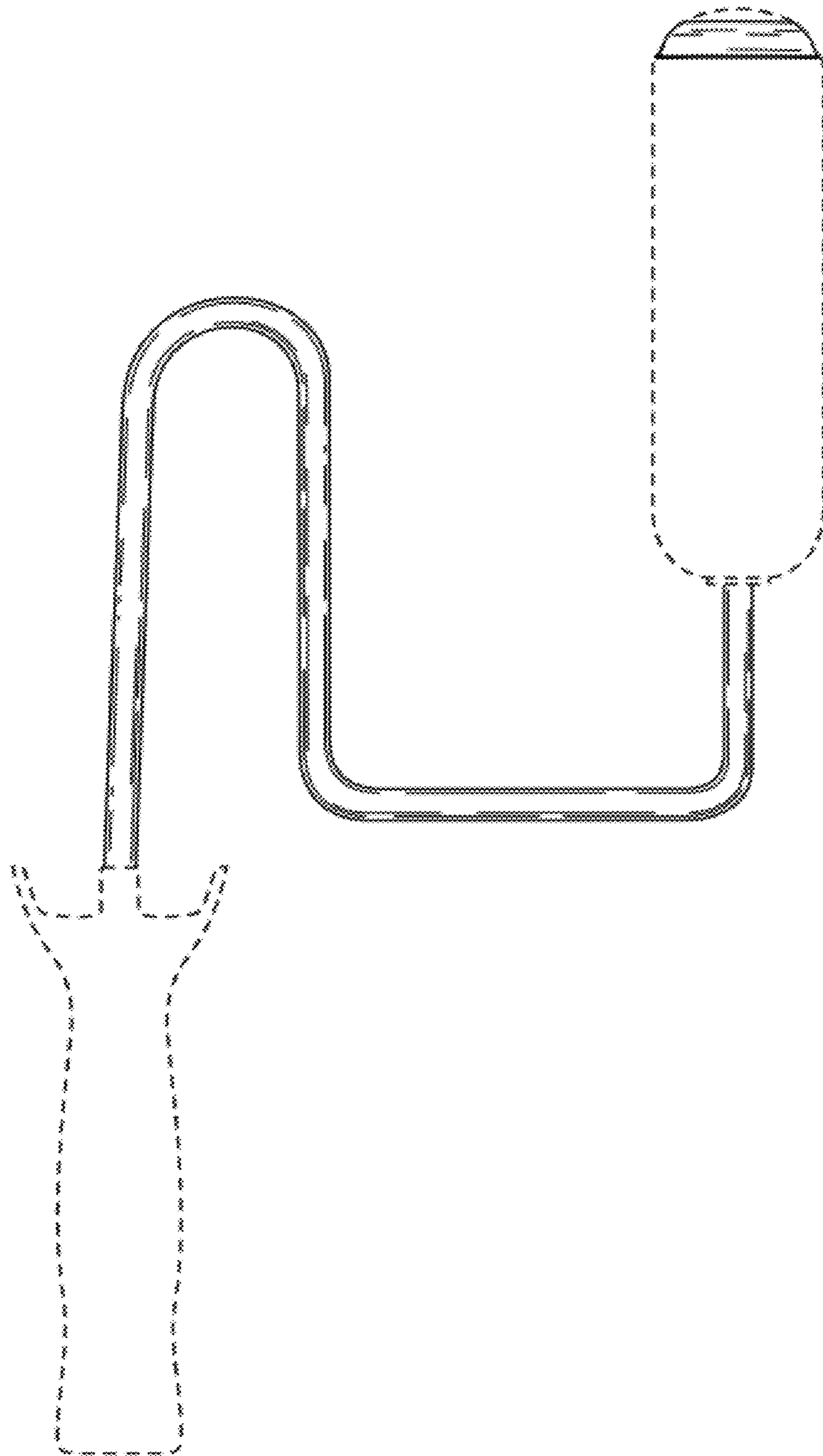


FIG. 2

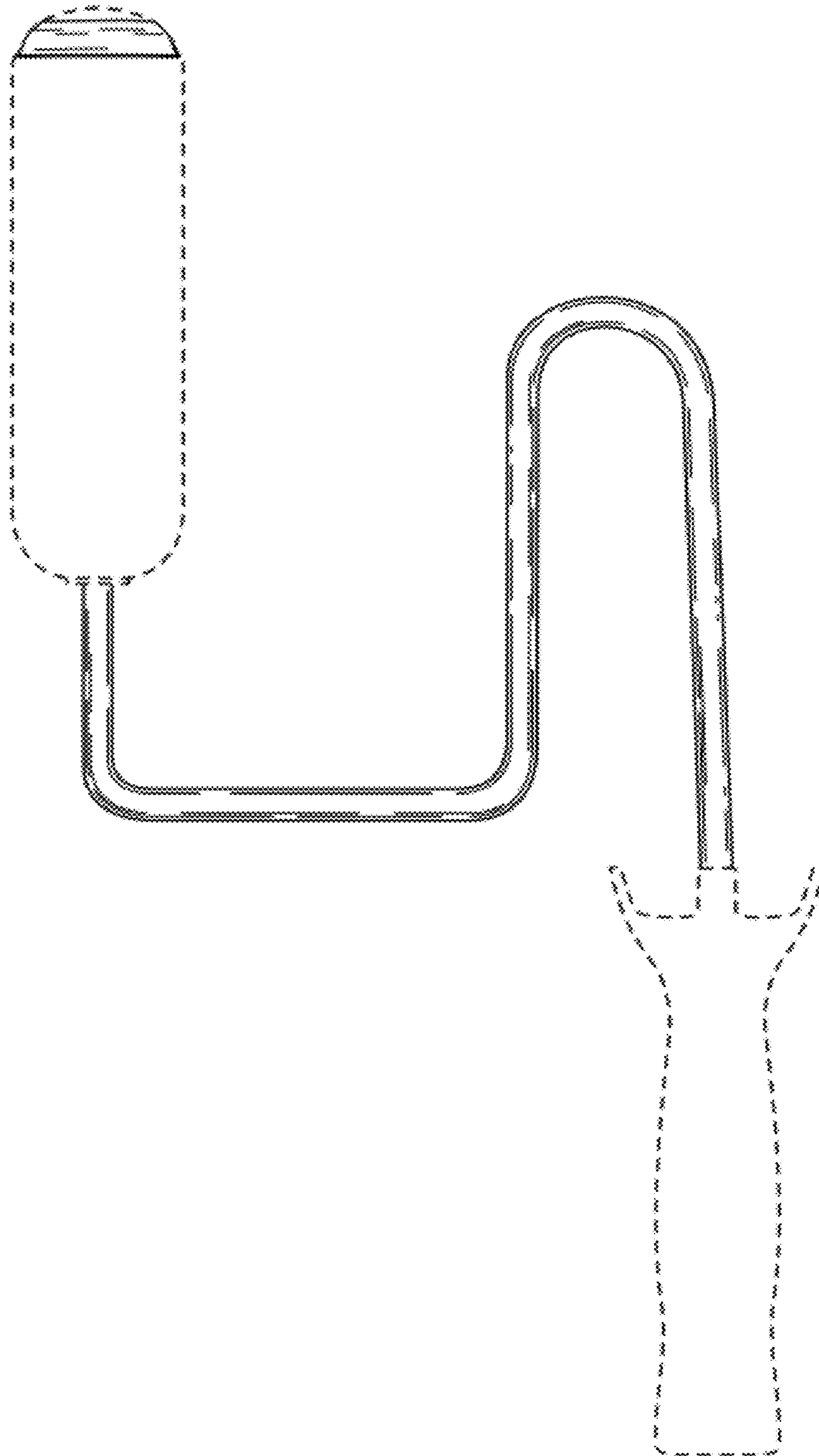


FIG. 3

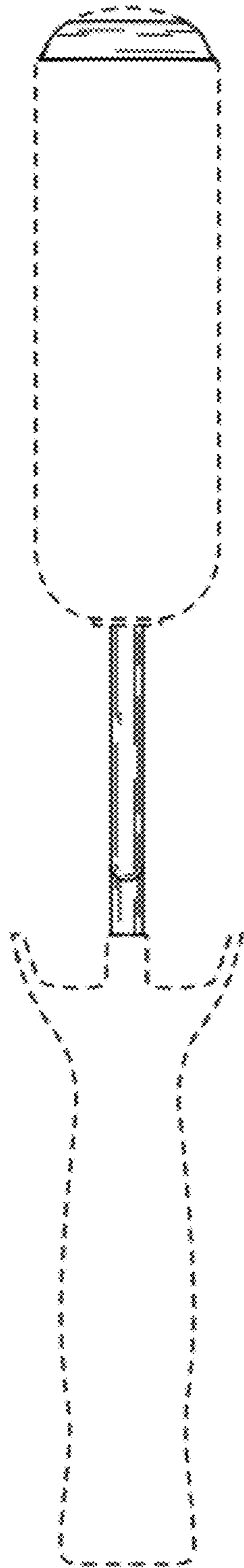


FIG. 4

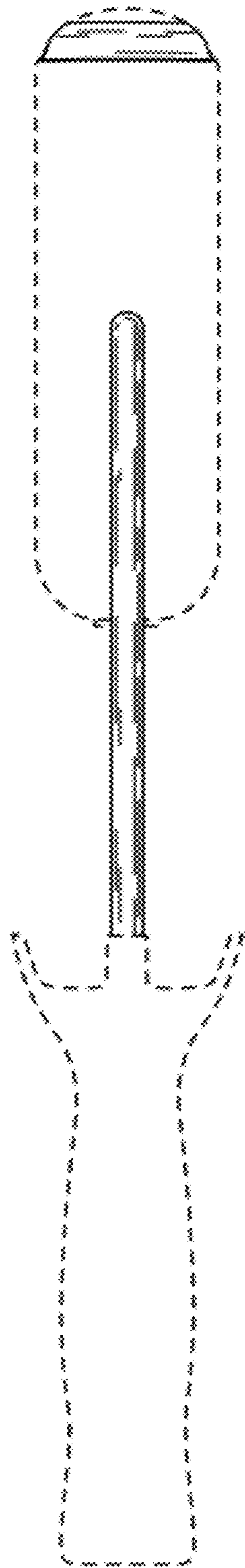


FIG. 5

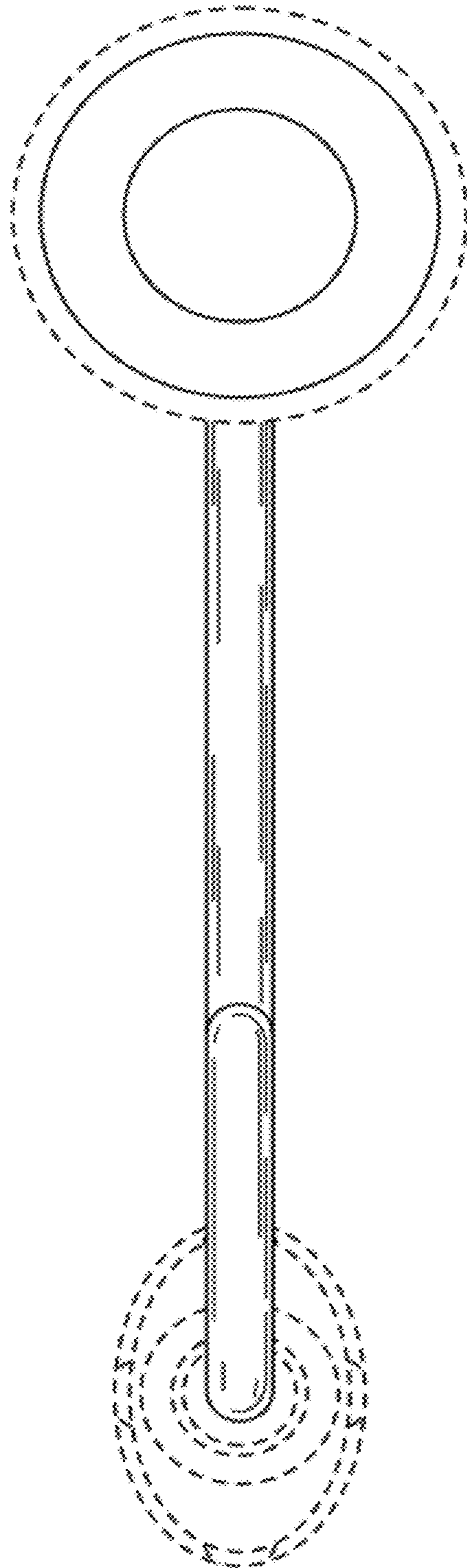


FIG. 6

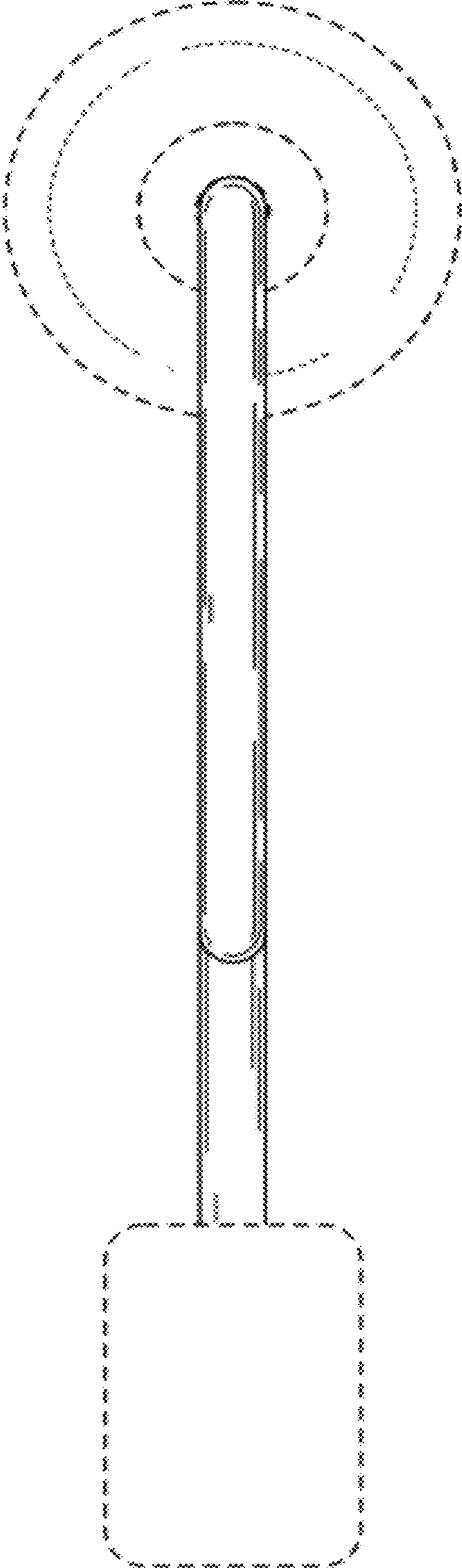


FIG. 7