

US00D677902S

(12) **United States Design Patent**
Wang

(10) **Patent No.:** **US D677,902 S**
(45) **Date of Patent:** **** Mar. 19, 2013**

(54) **SIDE STOPPING PIECE OF A PAINT ROLLER**

(76) Inventor: **Kai Wang**, Taichung (TW)

(**) Term: **14 Years**

(21) Appl. No.: **29/423,633**

(22) Filed: **Jun. 3, 2012**

(51) **LOC (9) Cl.** **08-05**

(52) **U.S. Cl.** **D4/122**

(58) **Field of Classification Search** D4/122,
D4/199; D6/317, 566; D8/370, 373, 107,
D8/303; 15/27, 230.11; 211/106, 106.01;
248/302; 492/13, 16, 17, 19; 16/422, 430,
16/431, 902, DIG. 12, DIG. 18, DIG. 19
See application file for complete search history.

(56) **References Cited**

U.S. PATENT DOCUMENTS

D289,232 S *	4/1987	Leray	D4/122
D323,246 S *	1/1992	Best et al.	D4/122
D332,009 S *	12/1992	Kiefer	D4/122
D337,856 S *	7/1993	Butler et al.	D28/7

D342,610 S *	12/1993	Stetson et al.	D4/122
D357,126 S *	4/1995	Stachler	D4/122
D392,102 S *	3/1998	Snetting et al.	D4/122

* cited by examiner

Primary Examiner — Austin Murphy

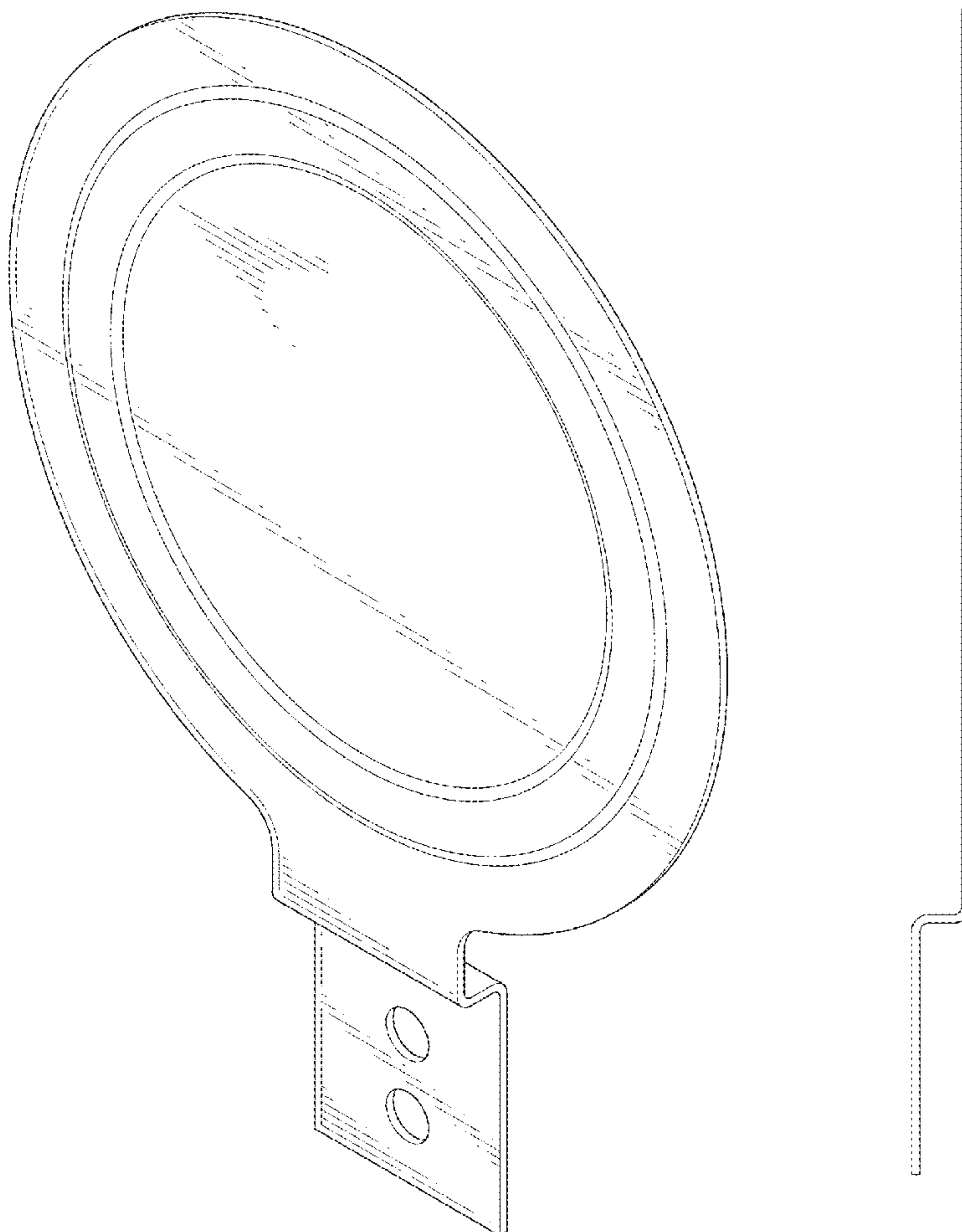
(57) **CLAIM**

The ornamental design for a side stopping piece of a paint roller, as shown and described.

DESCRIPTION

FIG. 1 is a perspective view of a side stopping piece of a paint roller showing my new design;
FIG. 2 is a front elevational view thereof;
FIG. 3 is a rear elevational view thereof;
FIG. 4 is a left side elevational view thereof, and right-hand side views being a mirror image thereof;
FIG. 5 is a top plan view thereof;
FIG. 6 is a bottom plan view thereof; and,
FIG. 7 is a perspective view thereof shown in use.
The broken lines are shown for illustrative purposes only and form no part of the claimed design.

1 Claim, 6 Drawing Sheets



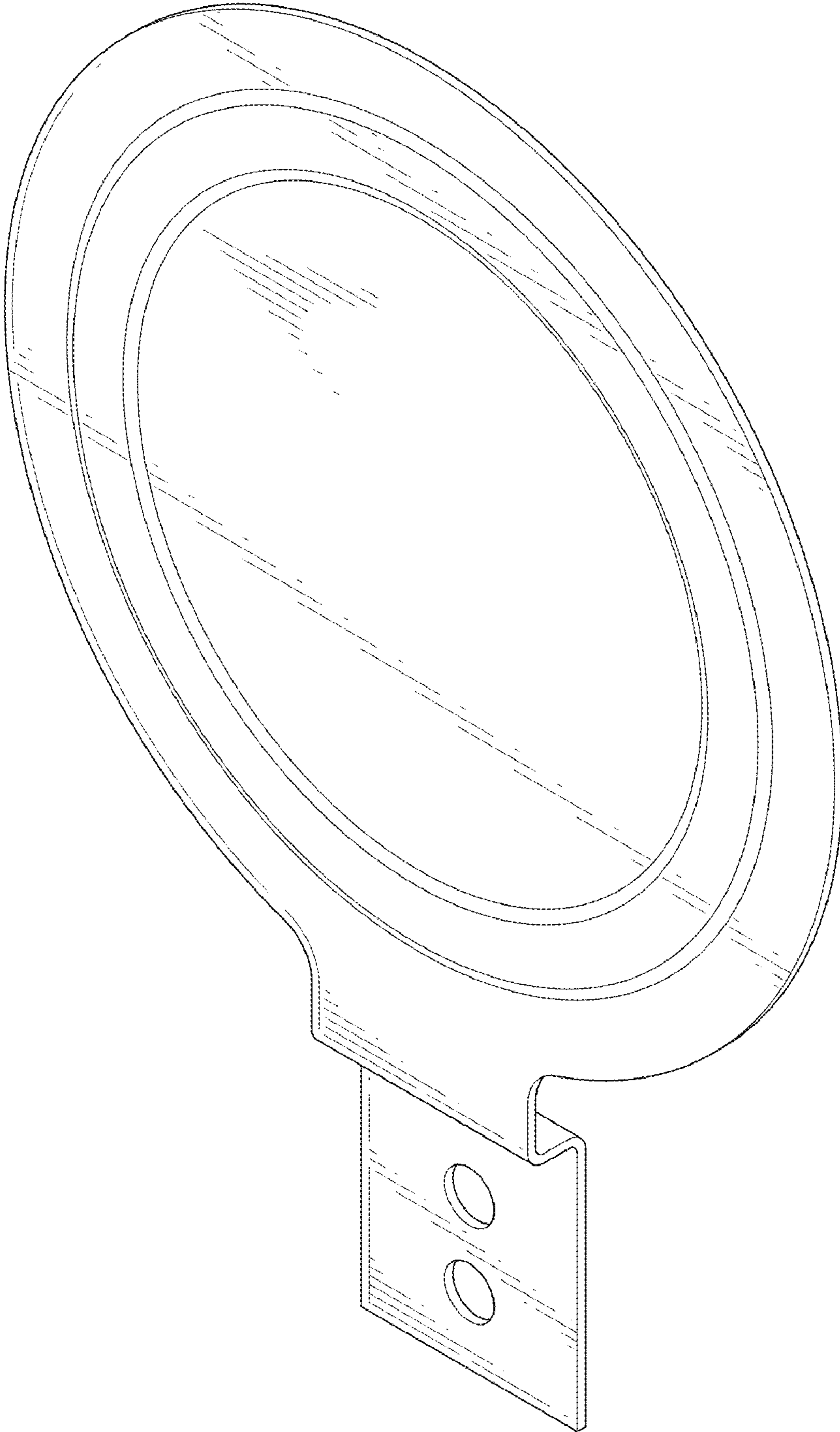


FIG. 1

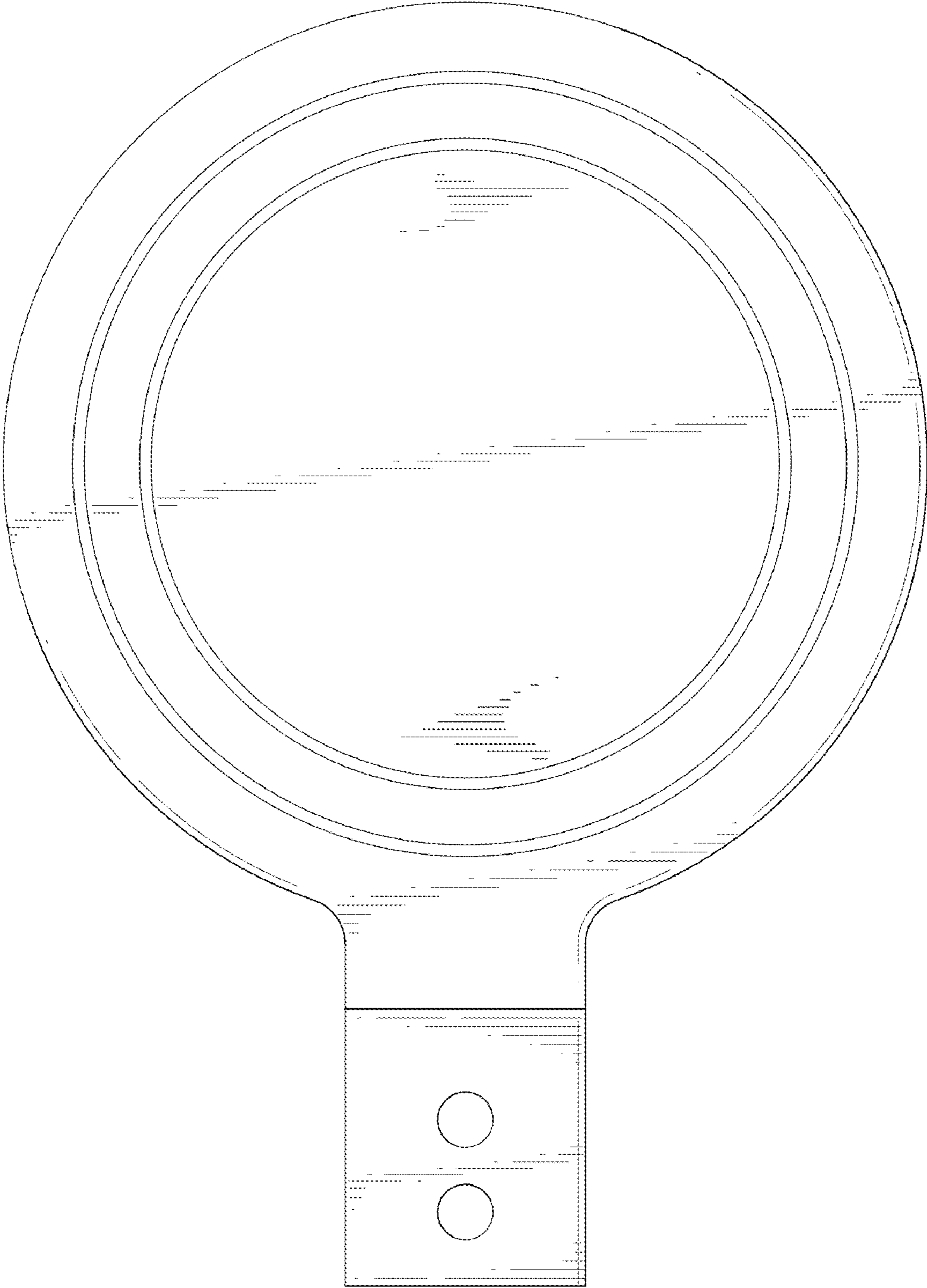


FIG. 2

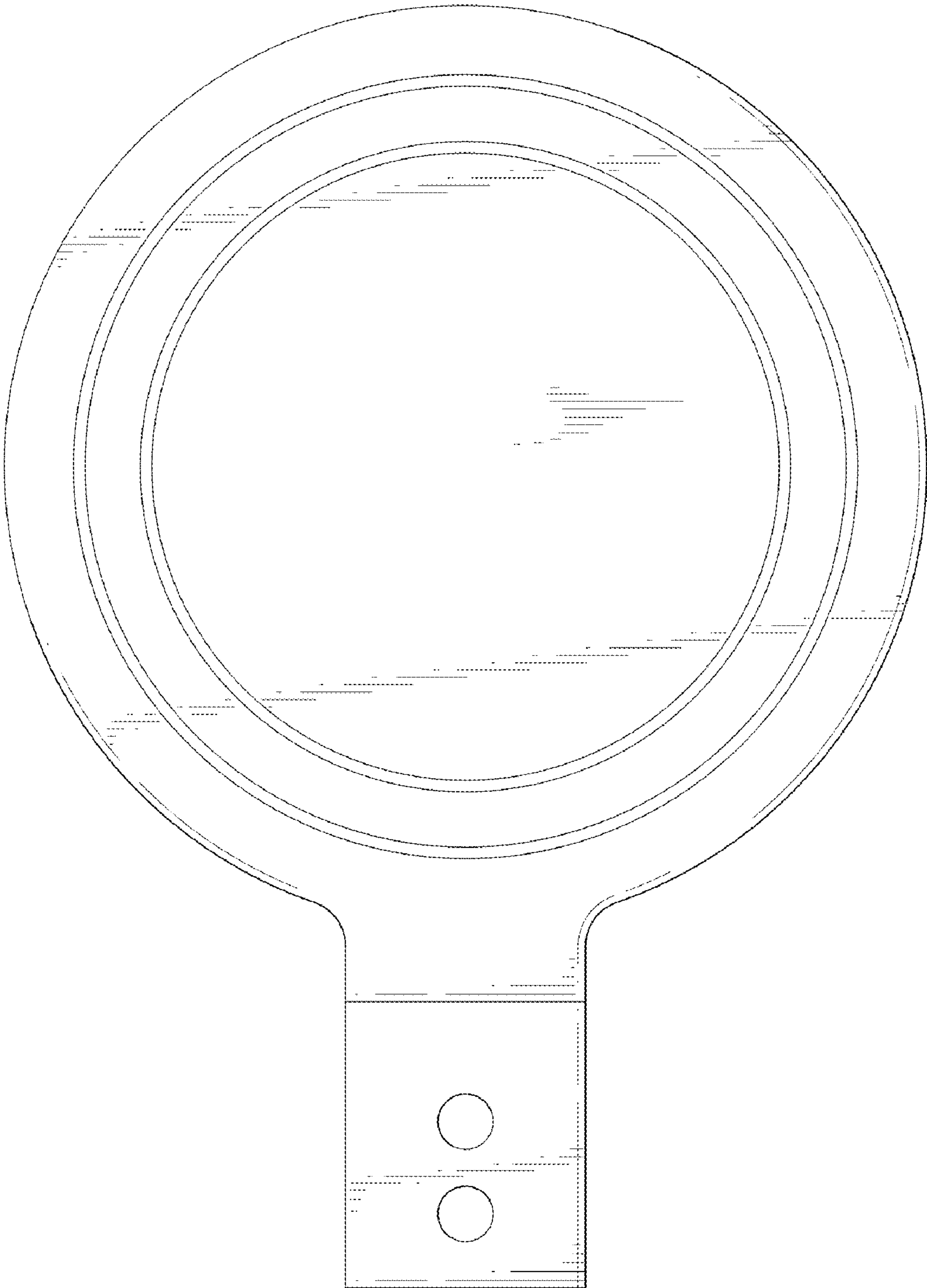


FIG. 3

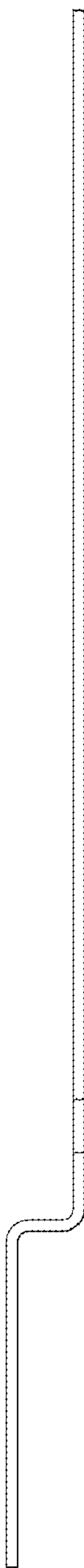


FIG. 4



FIG. 5

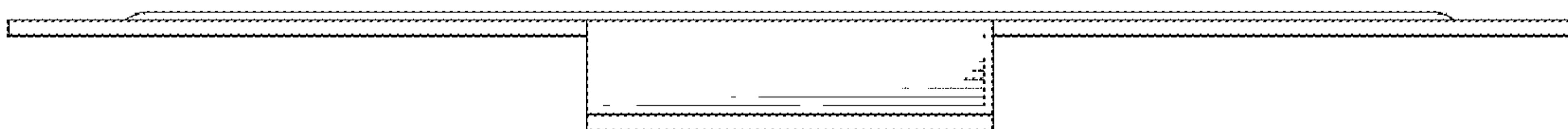


FIG. 6

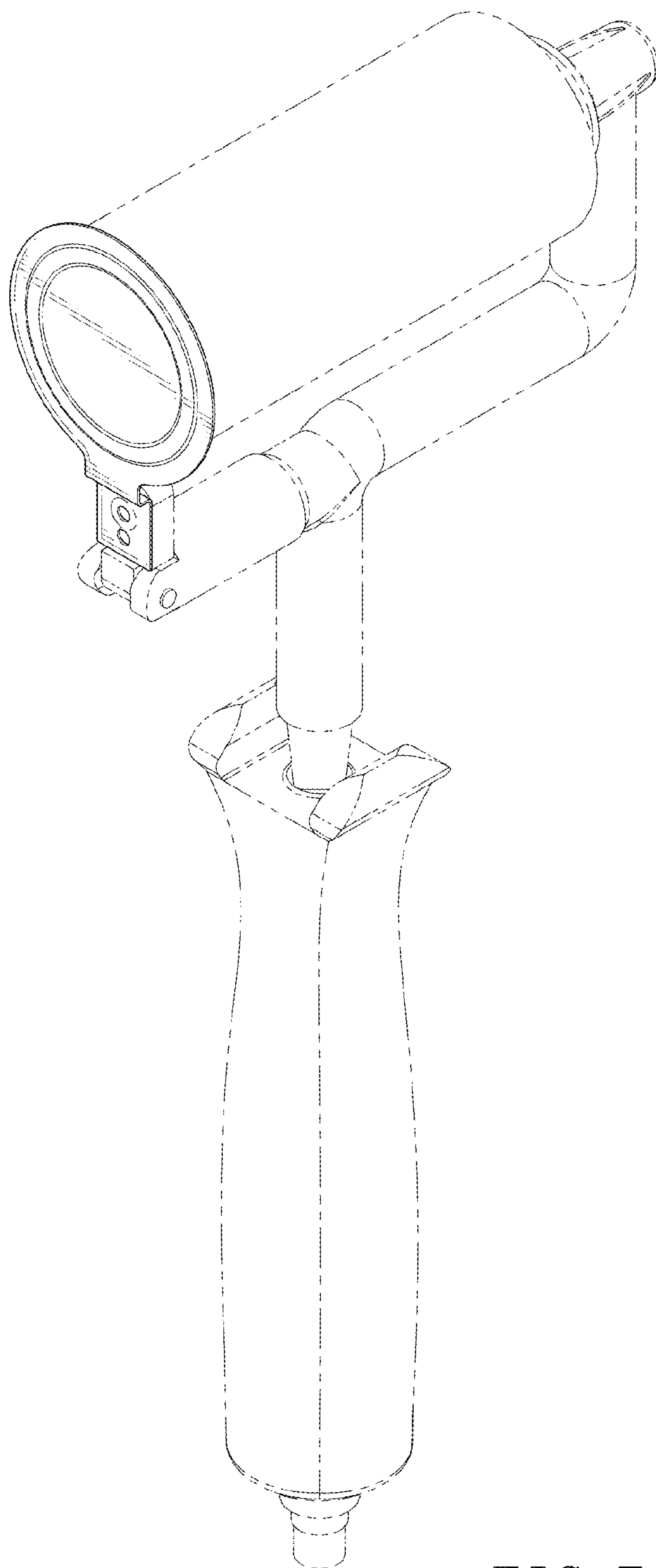


FIG. 7