

US00D677901S

(12) **United States Design Patent**
Boukair

(10) **Patent No.:** **US D677,901 S**
(45) **Date of Patent:** **** Mar. 19, 2013**

(54) **PAINT ROLLER**

(76) **Inventor:** **Moe Boukair**, Redondo Beach, CA (US)

(**) **Term:** **14 Years**

(21) **Appl. No.:** **29/420,905**

(22) **Filed:** **May 14, 2012**

(51) **LOC (9) Cl.** **08-05**

(52) **U.S. Cl.** **D4/122**

(58) **Field of Classification Search** D4/122,
D4/199; D6/317, 566; D8/370, 373, 107,
D8/303; 15/27, 230.11; 211/106, 106.01;
248/302; 492/13, 16, 17, 19; 16/422, 430,
16/431, 902, DIG. 12, DIG. 18, DIG. 19
See application file for complete search history.

(56) **References Cited**

U.S. PATENT DOCUMENTS

| | | | | |
|--------------|---------|----------------|-------|--------|
| D318,790 S * | 8/1991 | Brooks | | D8/370 |
| D345,096 S * | 3/1994 | Shapiro | | D8/373 |
| D405,958 S * | 2/1999 | Mollack | | D4/122 |
| D574,153 S * | 8/2008 | Dehart | | D4/122 |
| D578,769 S * | 10/2008 | Patterson | | D4/122 |
| D584,059 S * | 1/2009 | Arvinte et al. | | D4/122 |

| | | | | |
|--------------|---------|----------------|-------|--------|
| D602,696 S * | 10/2009 | Morad et al. | | D4/122 |
| D603,609 S * | 11/2009 | Reed | | D4/122 |
| D630,856 S * | 1/2011 | Arvinte et al. | | D4/122 |

* cited by examiner

Primary Examiner — Austin Murphy

(74) *Attorney, Agent, or Firm* — Michael D. Eisenberg

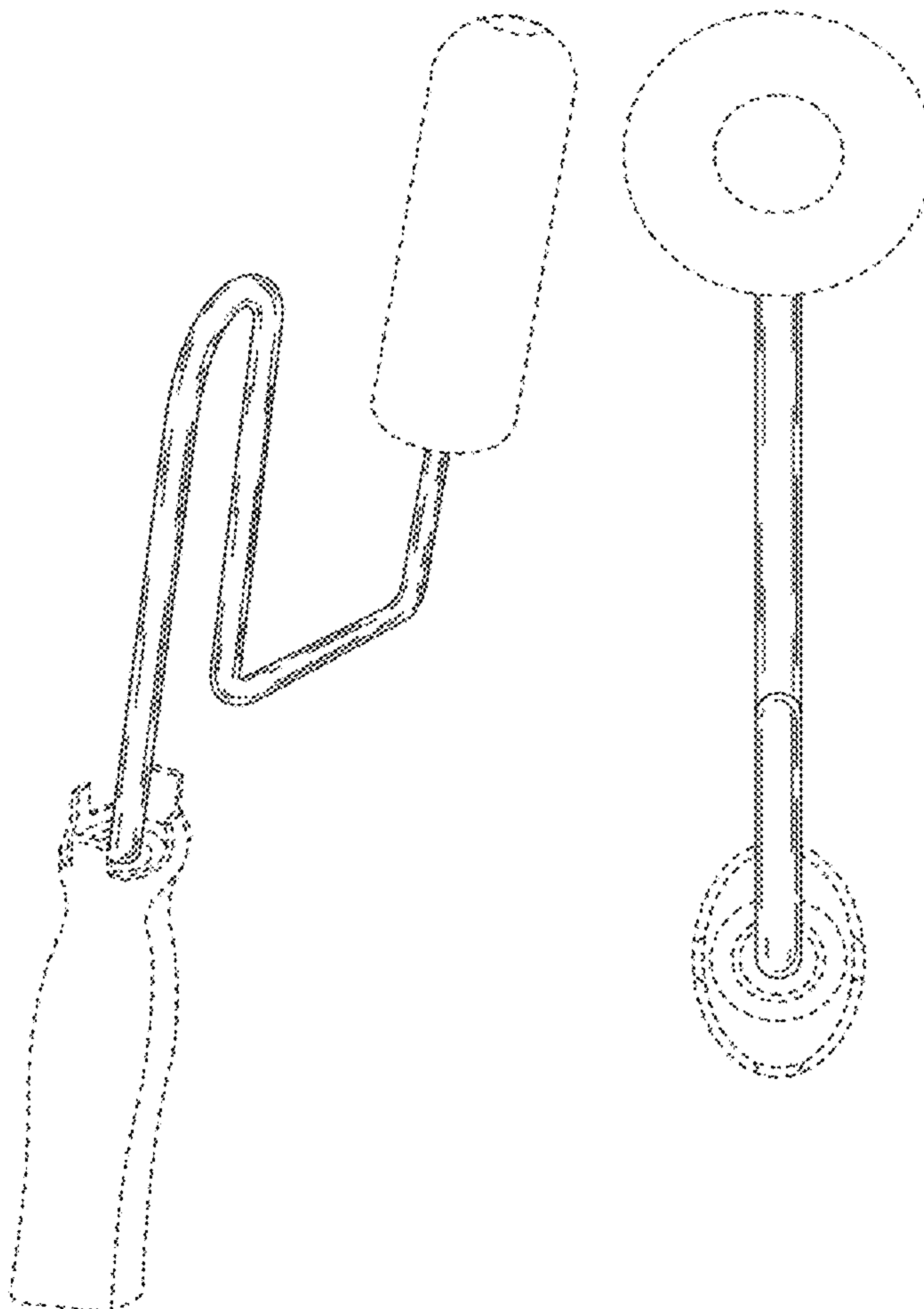
(57) **CLAIM**

The ornamental design for a paint roller, as shown and described.

DESCRIPTION

FIG. 1 is a perspective view of a paint roller showing my new design;
FIG. 2 is a right side view of the paint roller;
FIG. 3 is a left side view of the paint roller;
FIG. 4 is a front view of the paint roller;
FIG. 5 is a rear view of the paint roller;
FIG. 6 is a top view of the paint roller; and,
FIG. 7 is a bottom view of the paint roller.
The broken lines shown are for illustrative purposes only and form no part of the claimed design.

1 Claim, 7 Drawing Sheets



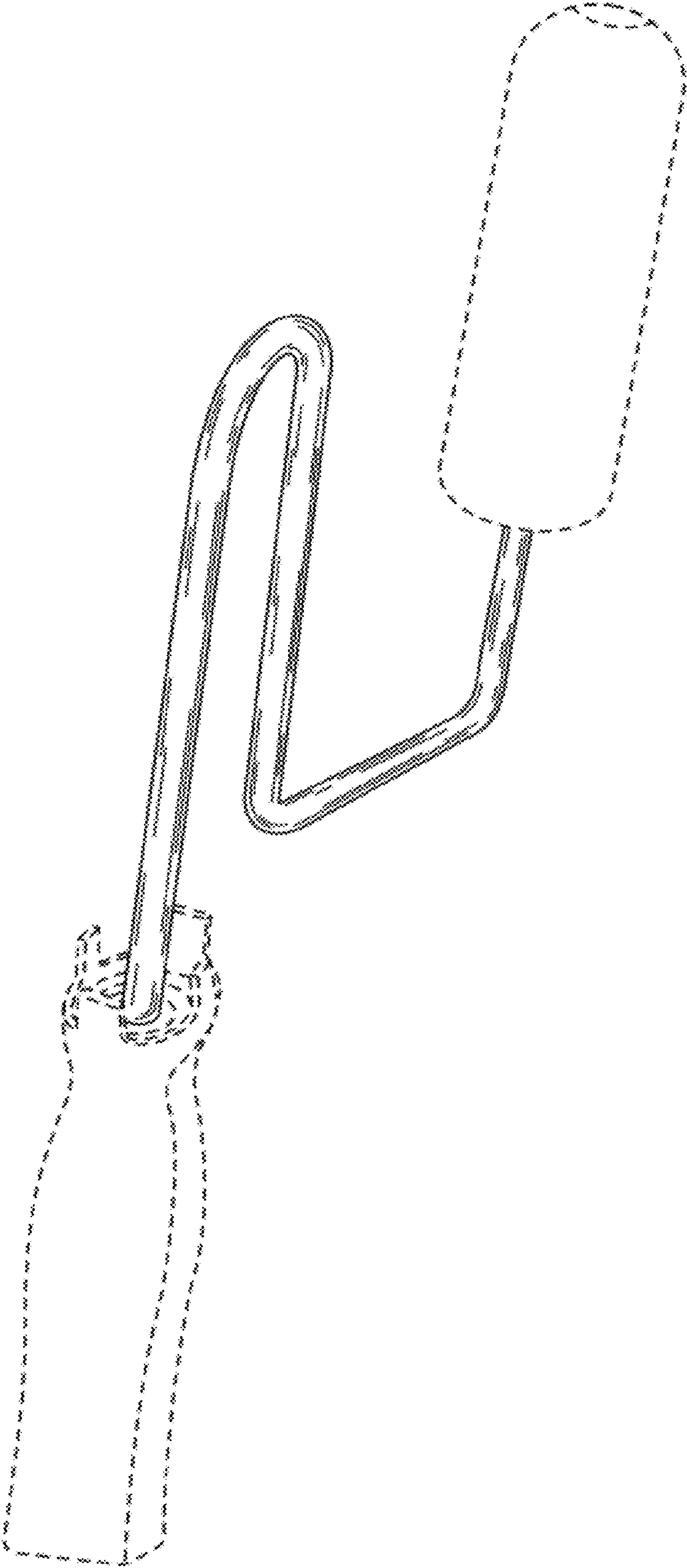


FIG. 1

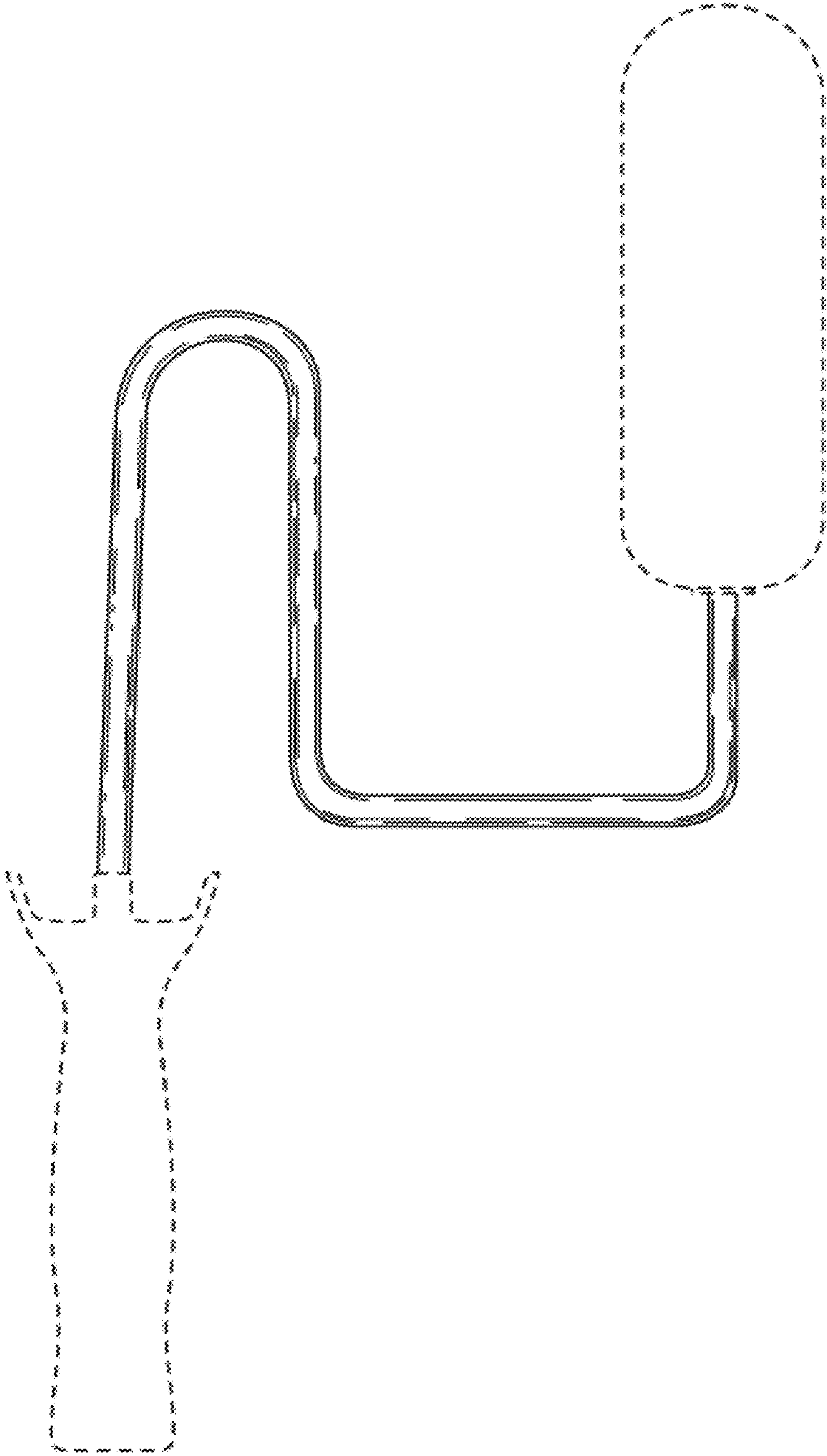


FIG. 2

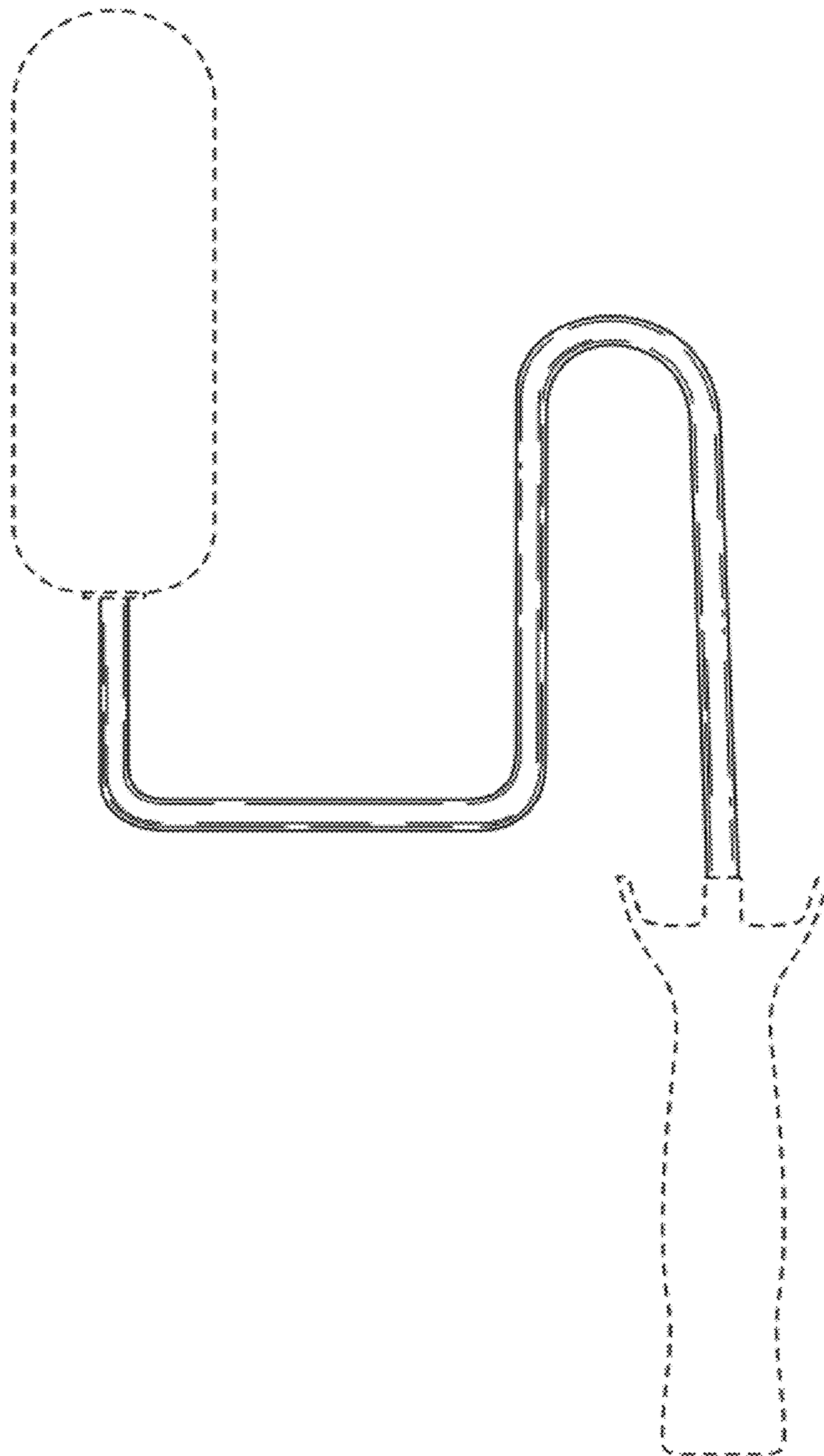


FIG. 3

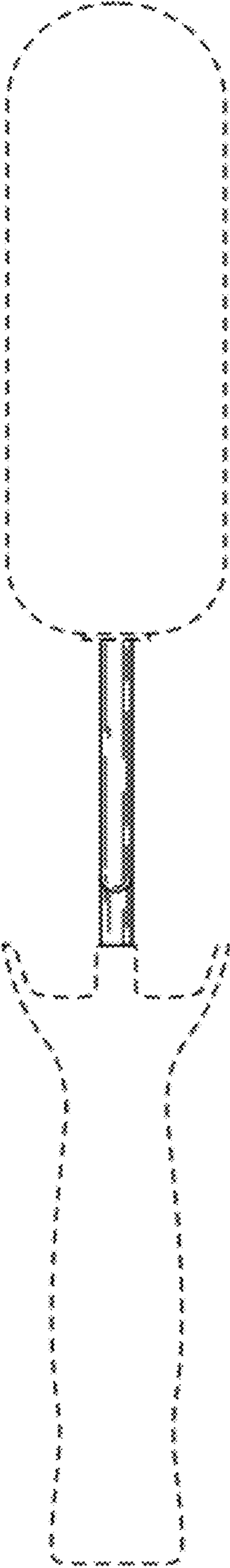


FIG. 4

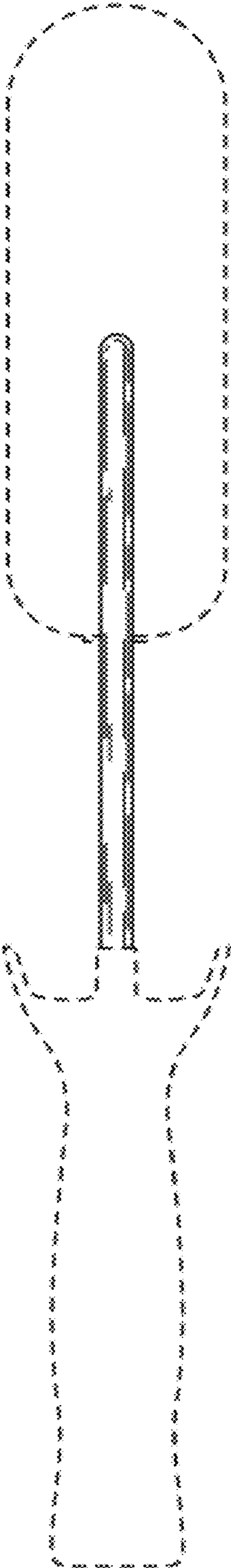


FIG. 5

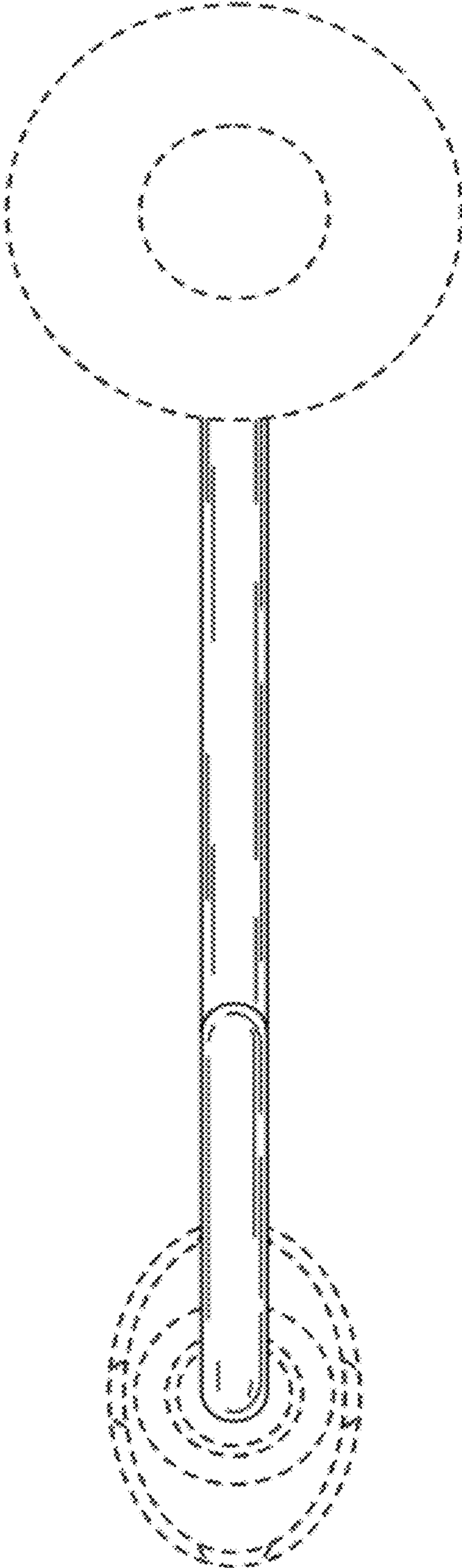


FIG. 6

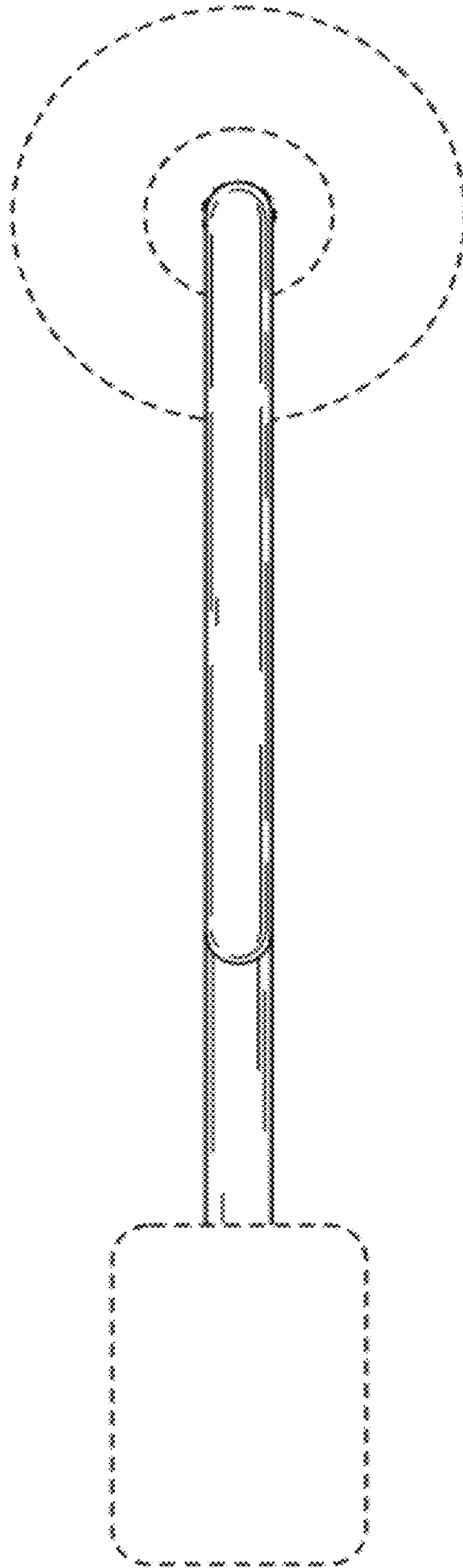


FIG. 7