



US00D677899S

(12) **United States Design Patent**  
**Cenzano et al.**

(10) **Patent No.:** **US D677,899 S**  
(45) **Date of Patent:** **\*\* Mar. 19, 2013**

- (54) **CLOSABLE BOX**
- (75) Inventors: **Lauren Cenzano**, East Northport, NY (US); **Doug Mudd**, O'Fallon, MO (US)
- (73) Assignee: **Esselte Corporation**, Melville, NY (US)
- (\*\*) Term: **14 Years**
- (21) Appl. No.: **29/432,405**
- (22) Filed: **Sep. 14, 2012**

**Related U.S. Application Data**

- (60) Division of application No. 29/398,382, filed on Jul. 29, 2011, now Pat. No. Des. 671,742, which is a continuation-in-part of application No. 29/384,488, filed on Jan. 31, 2011, now Pat. No. Des. 671,743.
- (51) **LOC (9) Cl.** ..... **03-01**
- (52) **U.S. Cl.** ..... **D3/321**
- (58) **Field of Classification Search** ..... D3/272, D3/273, 292, 294-297, 900, 276, 318, 321, D3/322, 323; 190/19, 23, 37, 40, 900; D99/28  
See application file for complete search history.

**References Cited**

**U.S. PATENT DOCUMENTS**

1,379,438	A	5/1921	Billings	
D67,730	S *	6/1925	Wheary	D3/272
2,626,025	A *	1/1953	Sherman	190/37
3,191,765	A	6/1965	Dozier	
D247,993	S *	5/1978	Calzone, III	D3/204
D288,863	S *	3/1987	Vuitton	D3/289
4,744,445	A *	5/1988	Anderson et al.	190/107
4,813,542	A *	3/1989	Thompson et al.	206/504
D415,614	S *	10/1999	Akaike et al.	D3/276
D419,766	S *	2/2000	Rekuc	D3/272
D490,206	S	5/2004	Perella et al.	
D493,936	S *	8/2004	Perella et al.	D99/28
D496,791	S *	10/2004	Perella et al.	D3/267
D498,049	S *	11/2004	Perella et al.	D3/273
D499,883	S *	12/2004	Perella et al.	D3/276
D500,922	S *	1/2005	Perella et al.	D3/273
D501,083	S *	1/2005	Perella et al.	D3/276
D501,720	S *	2/2005	Hussaini et al.	D3/273
D503,024	S *	3/2005	Perella et al.	D99/28

D503,503	S *	3/2005	Perella et al.	D99/28
D504,990	S	5/2005	Perella et al.	
D506,061	S	6/2005	McGibben	
D509,357	S *	9/2005	Perella et al.	D3/267
D511,035	S *	10/2005	Perella et al.	D99/28
D529,287	S *	10/2006	Perella et al.	D3/294
D562,048	S *	2/2008	Perella et al.	D3/272
D574,655	S *	8/2008	Perella et al.	D3/294
D578,819	S *	10/2008	Perella et al.	D3/294
D579,174	S *	10/2008	Decarlo et al.	D99/28
D584,511	S	1/2009	Decarlo et al.	
D596,399	S *	7/2009	Decarlo et al.	D3/291
D619,810	S *	7/2010	Huang	D3/276
7,774,961	B2	8/2010	Bopp et al.	
D625,517	S *	10/2010	Rossi et al.	D3/272
D643,213	S *	8/2011	Hsiao et al.	D3/272
D643,623	S *	8/2011	Chin et al.	D3/272
2004/0188205	A1 *	9/2004	Badaan	190/124

**OTHER PUBLICATIONS**

Chinese Office Action dated Oct. 17, 2011 for Chinese Patent Design Application No. 201130258993.X.  
Mexican Office Action dated Jul. 4, 2012 for Mexican Patent Design Application No. MX/f/2011/002589.

\* cited by examiner

*Primary Examiner* — Jennifer Rivard  
(74) *Attorney, Agent, or Firm* — Dorsey & Whitney LLP

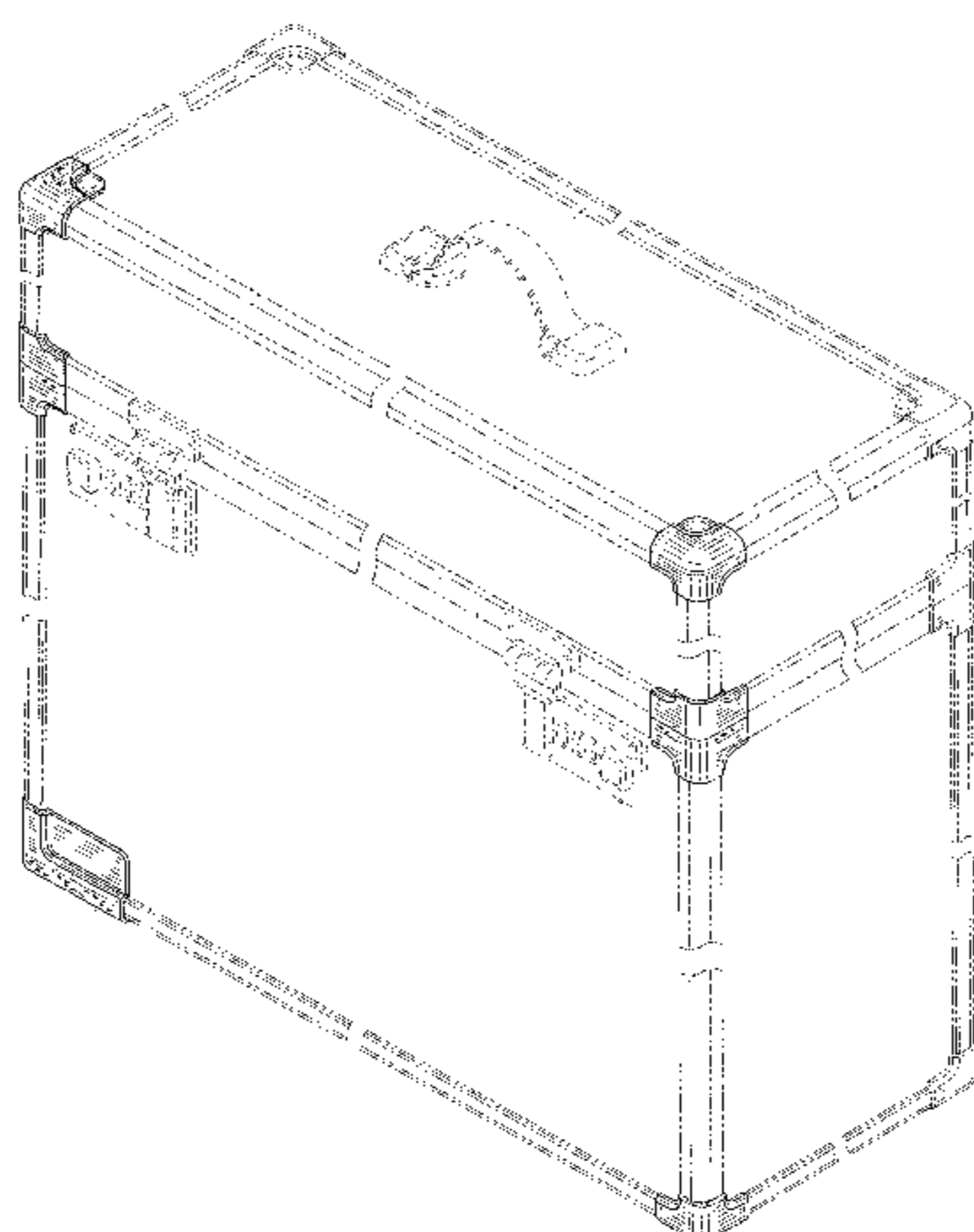
(57) **CLAIM**

The ornamental design for a closable box, as shown and described.

**DESCRIPTION**

FIG. 1 is a perspective view of another exemplary embodiment of a closable box;  
FIG. 2 is a front view of the closable box shown in FIG. 1;  
FIG. 3 is a back view of the closable box shown in FIG. 1;  
FIG. 4 is a top view of the closable box shown in FIG. 1;  
FIG. 5 is a bottom view of the closable box shown in FIG. 1;  
FIG. 6 is a right side view of the closable box shown in FIG. 1; and,  
FIG. 7 is a left side view of the closable box shown in FIG. 1.  
The phantom lines are provided for illustrative purposes only, and form no part of the claimed design.

**1 Claim, 7 Drawing Sheets**



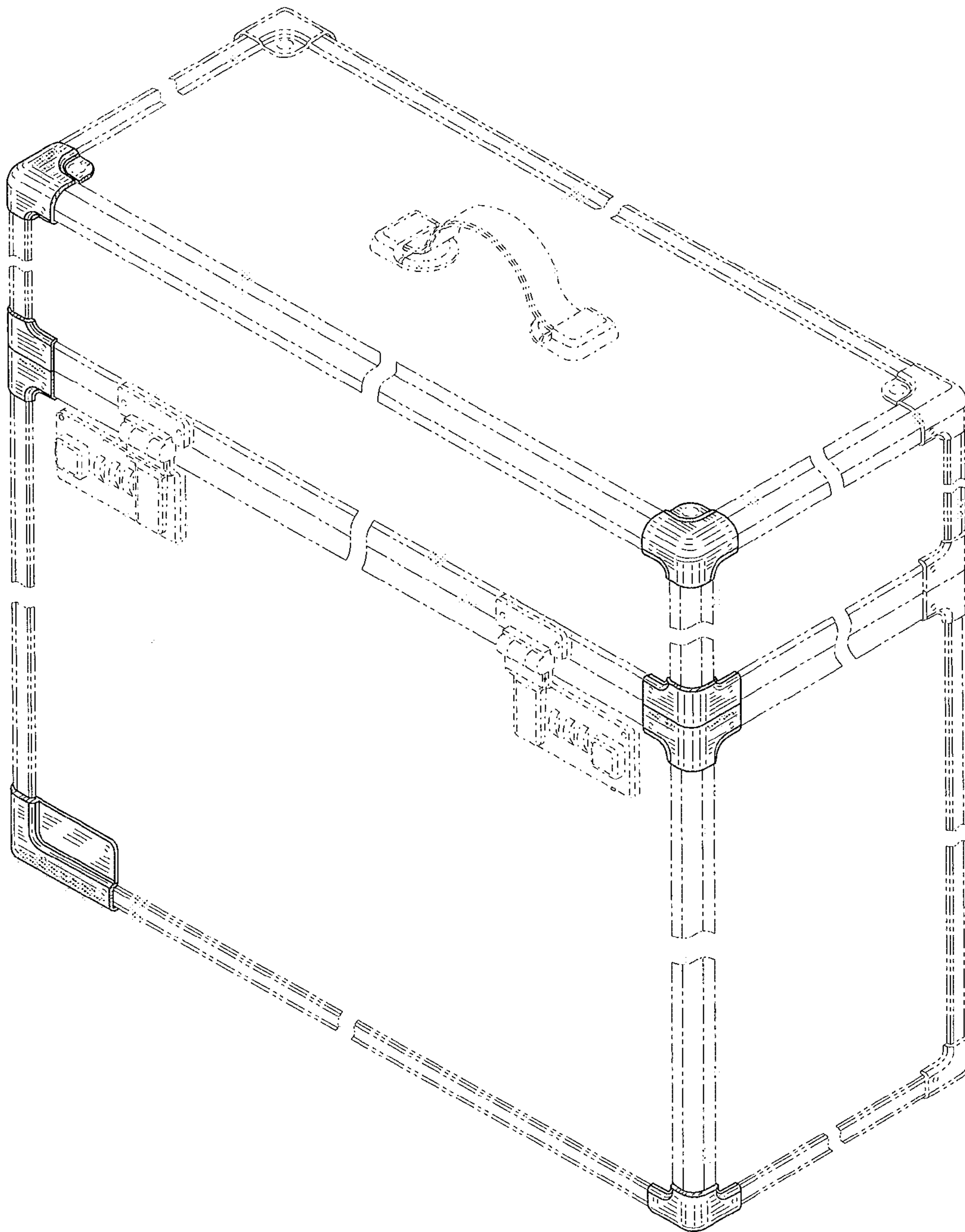


FIG. 1

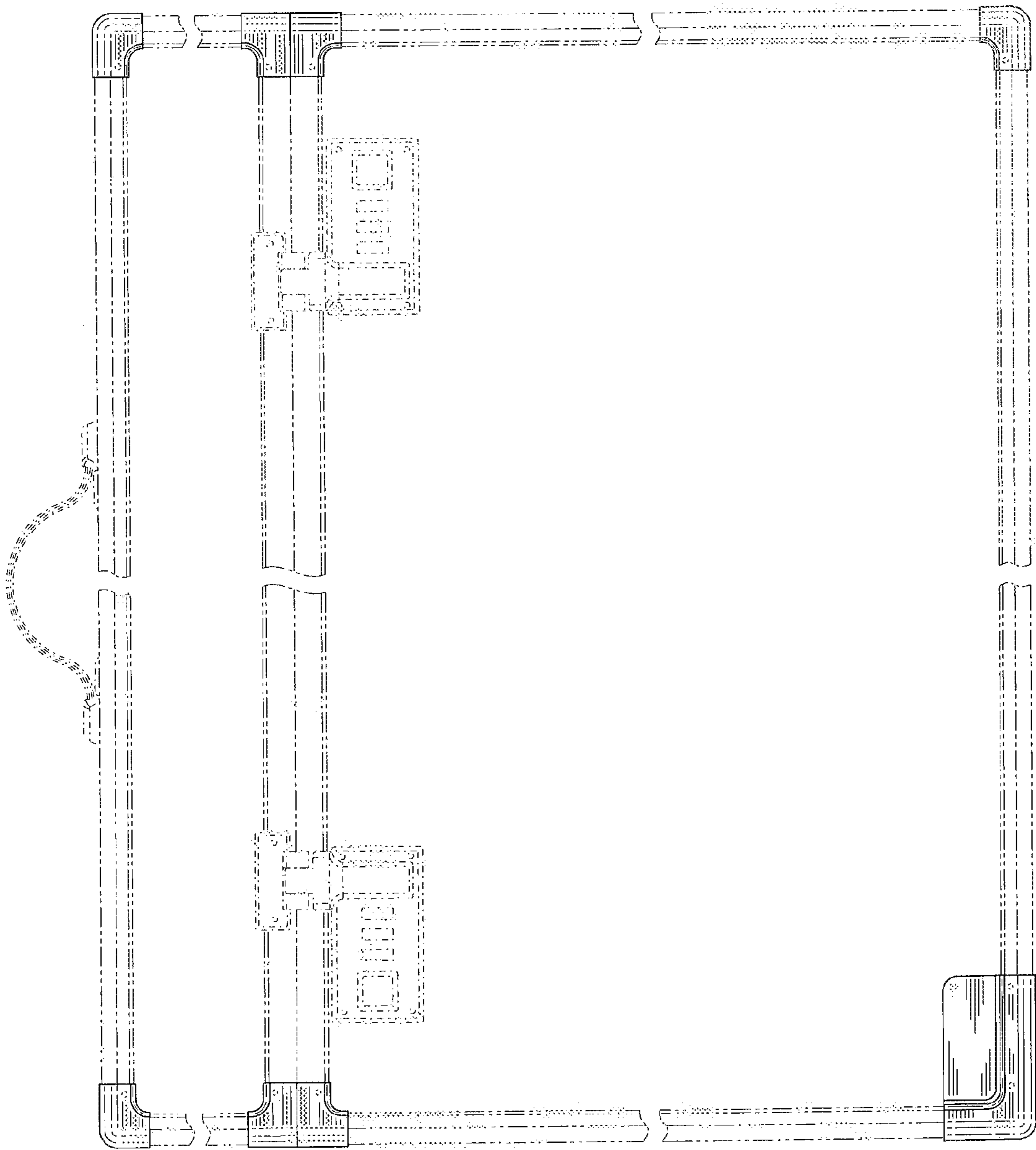


FIG. 2

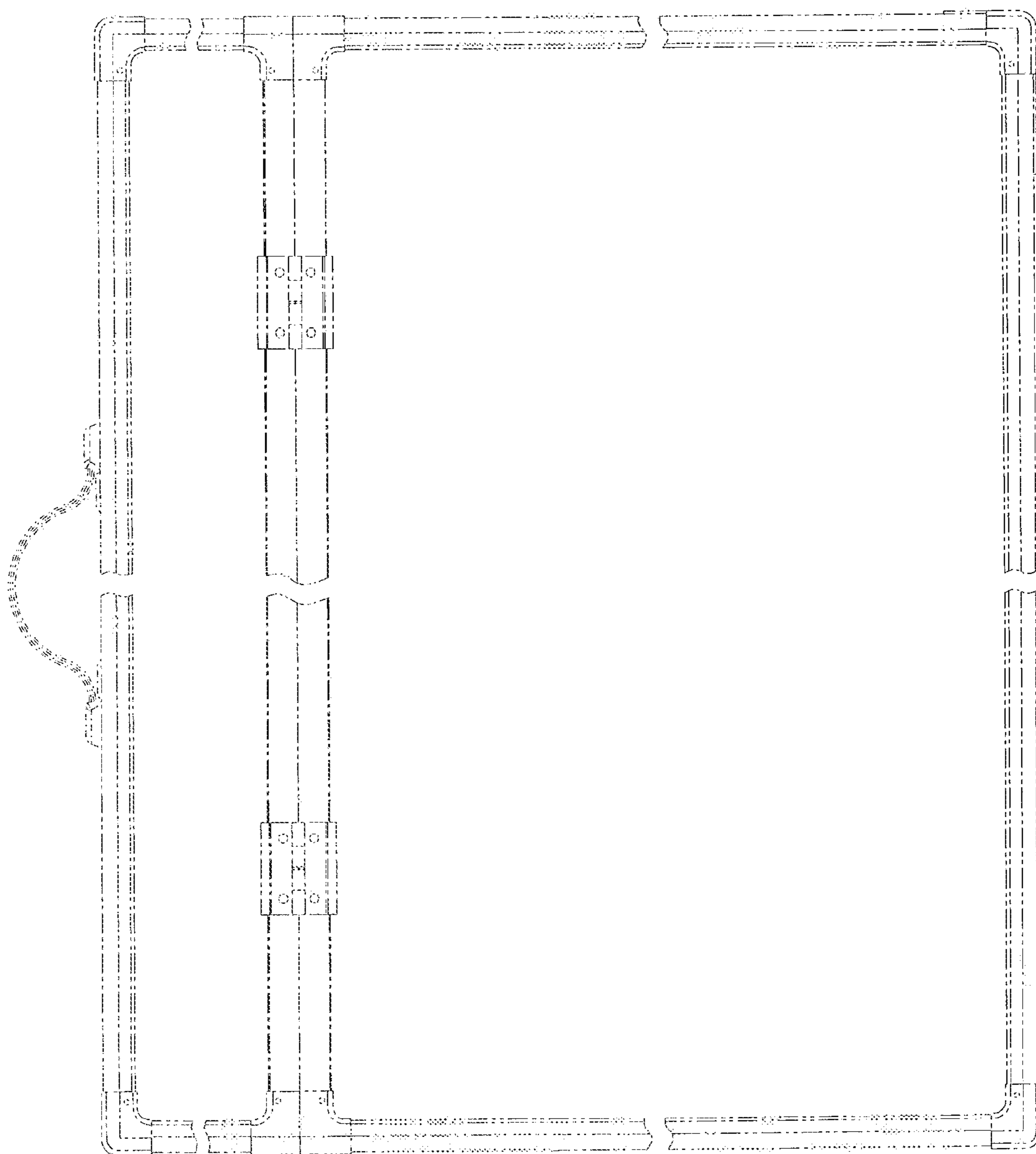


FIG. 3

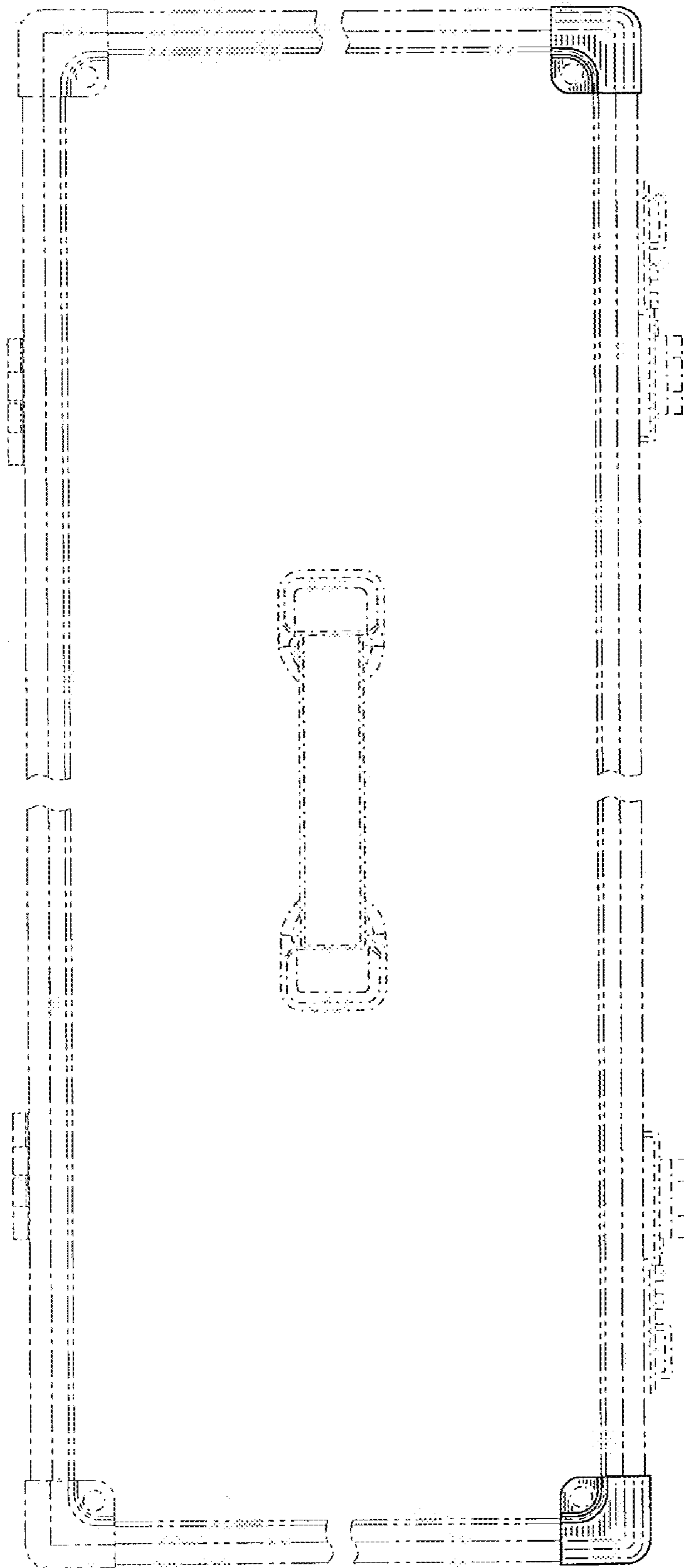


FIG. 4

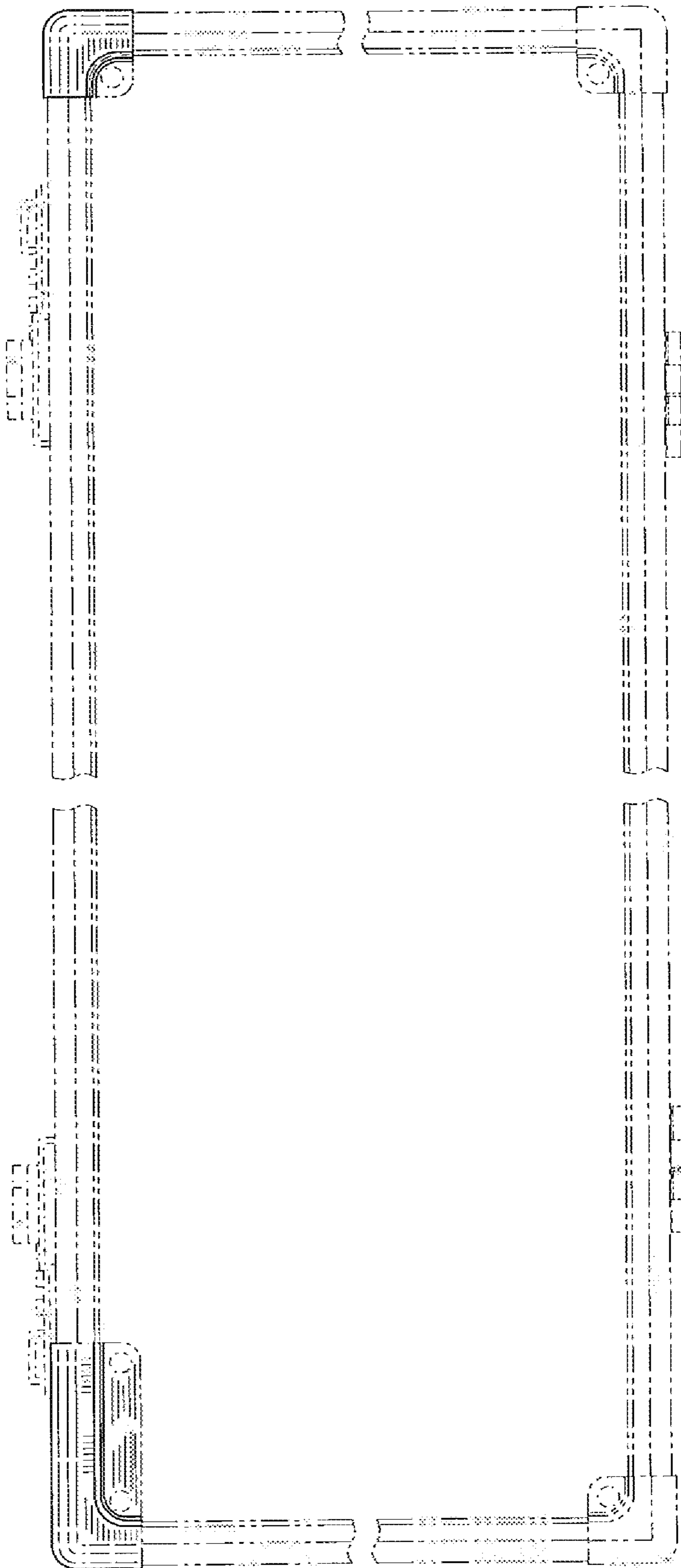


FIG. 5

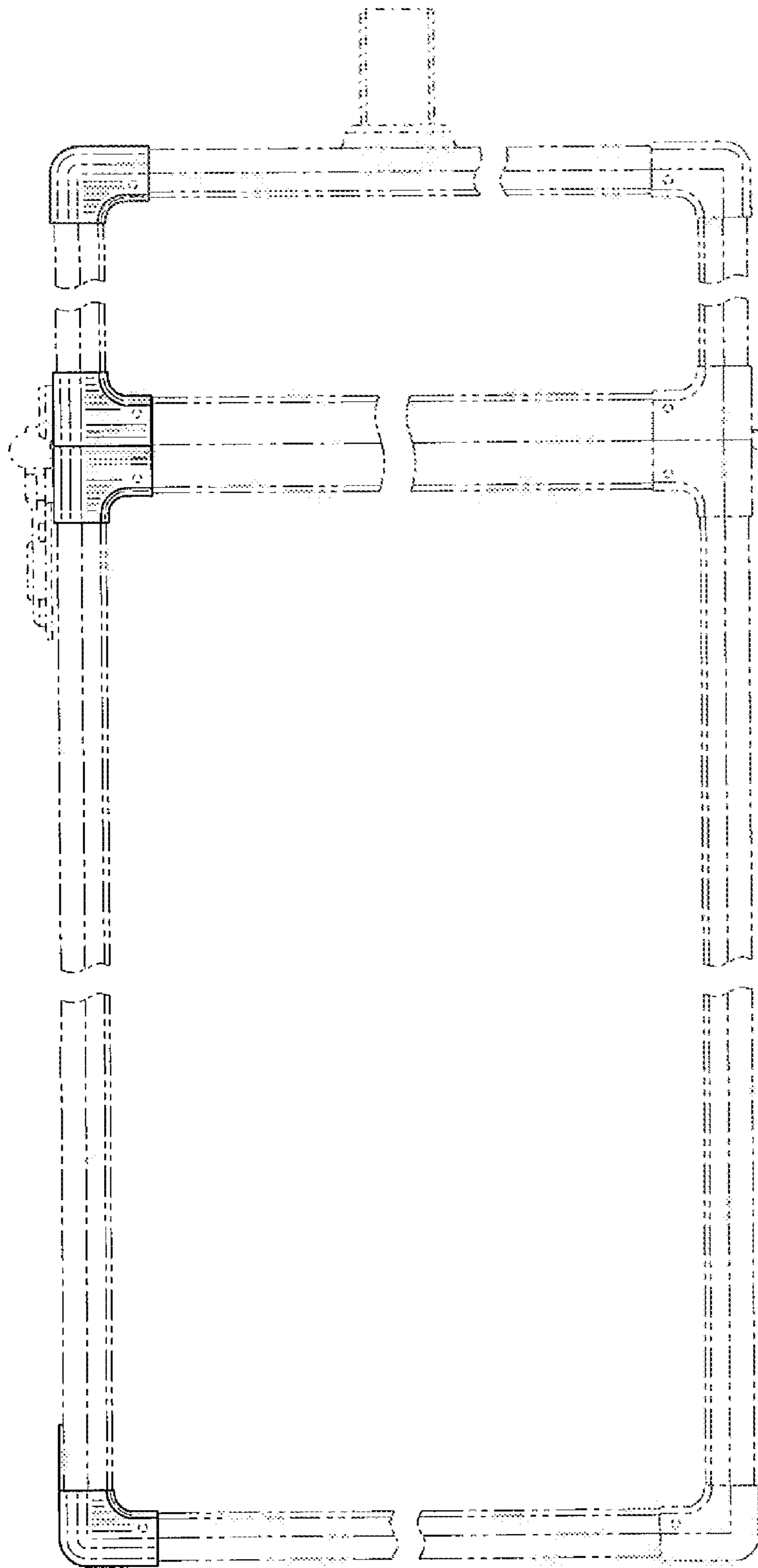


FIG. 6

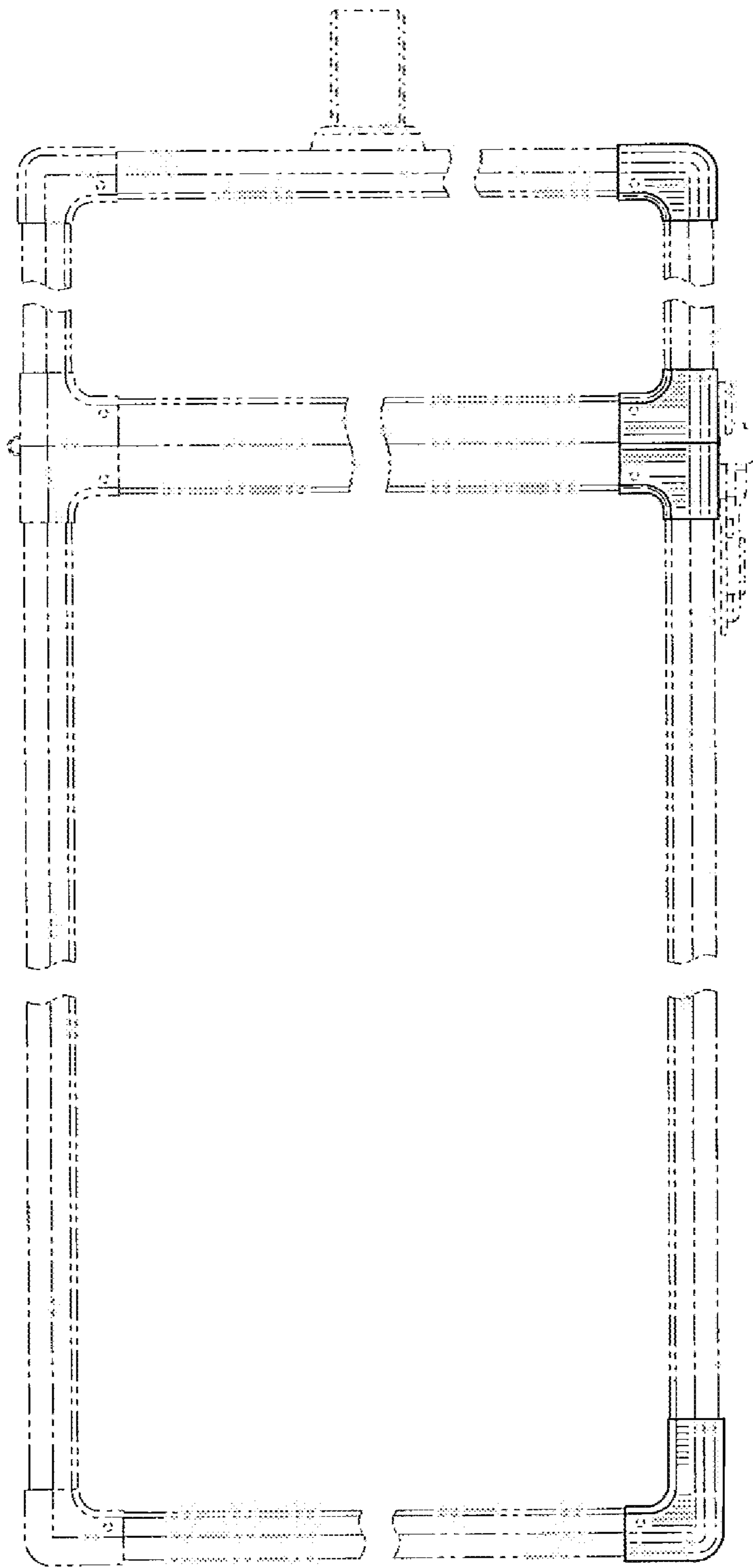


FIG. 7