



US00D677898S

(12) **United States Design Patent**
Kvols et al.

(10) **Patent No.:** **US D677,898 S**
(45) **Date of Patent:** **** Mar. 19, 2013**

(54) **CONTAINER**

(75) Inventors: **Kevin Kvols**, Steamboat Springs, CO (US); **Stephen Schloesser**, Corlorado Springs, CO (US)

(73) Assignee: **Diversified Fixtures, Inc.**, Colorado Springs, CO (US)

(**) Term: **14 Years**

(21) Appl. No.: **29/430,430**

(22) Filed: **Aug. 24, 2012**

6,299,011	B1	10/2001	Rosenfeldt	
D473,052	S *	4/2003	Dehenau	D3/273
6,598,756	B1	7/2003	Rosenfeldt	
D496,530	S *	9/2004	Wolf	D3/273
D501,720	S *	2/2005	Hussaini et al.	D3/273
D594,657	S *	6/2009	McAlpine	D3/273
7,552,826	B2	6/2009	Watanabe	
D668,050	S	10/2012	Kvols et al.	
D668,459	S	10/2012	Kvols et al.	
2010/0170873	A1	7/2010	Lopez	

FOREIGN PATENT DOCUMENTS

GB	2299132	9/1996
GB	2347668	9/2000
WO	WO 92/21574	12/1992
WO	WO 93/17930	9/1993
WO	WO 2003/106279	12/2003

* cited by examiner

Primary Examiner — Holly Baynham

(74) *Attorney, Agent, or Firm* — Knobbe Martens Olson & Bear LLP

Related U.S. Application Data

(62) Division of application No. 29/398,138, filed on Jul. 26, 2011, now Pat. No. Des. 668,050.

(51) **LOC (9) Cl.** **03-01**

(52) **U.S. Cl.** **D3/318**

(58) **Field of Classification Search** D3/273,
D3/294, 289, 318; 206/278, 257, 215, 555,
206/1.5

See application file for complete search history.

(57) **CLAIM**

The ornamental design for a container, as shown and described.

DESCRIPTION

FIG. 1 is a top, front and side perspective view of a first embodiment of a container embodying my new design.

FIG. 2 is a front view thereof.

FIG. 3 is a back view thereof.

FIG. 4 is a side view thereof

FIG. 5 is a side view thereof opposite the side view of FIG. 4.

FIG. 6 is a top view thereof.

FIG. 7 is a bottom view thereof; and,

FIG. 8 is a cross-sectional view of the bottom of the container cut along line 8-8 in FIG. 3.

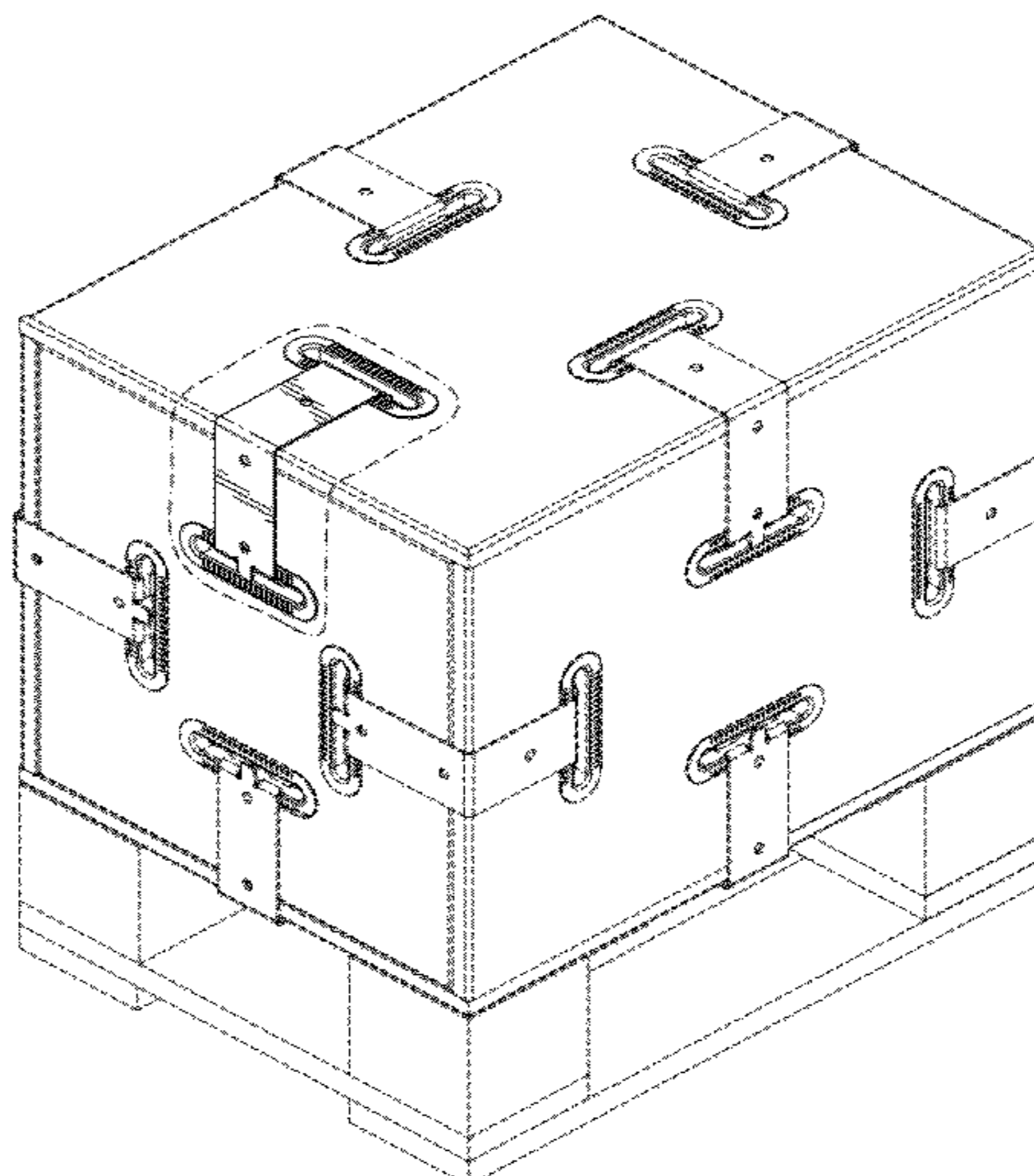
The evenly spaced broken lines showing the container are for the purposes of illustrating environment. The dot-dashed lines illustrate the boundaries of the claim. Neither of the broken lines are part of the claimed design.

1 Claim, 8 Drawing Sheets

(56) **References Cited**

U.S. PATENT DOCUMENTS

3,323,674	A	6/1967	Nist, Jr.
3,712,499	A	1/1973	Talbert
3,990,599	A	11/1976	Rowley
4,024,977	A	5/1977	Rowley
4,083,464	A	4/1978	Burnett
4,449,662	A	5/1984	Okamura et al.
4,453,471	A	6/1984	Harrington et al.
4,461,395	A	7/1984	Burnett
4,796,392	A	1/1989	Graham, Jr.
5,311,996	A	5/1994	Duffy et al.
5,535,909	A	7/1996	Philip
5,555,980	A	9/1996	Johnston et al.
D375,201	S	11/1996	Karr et al.
5,617,967	A	4/1997	Neidhart
6,003,449	A	12/1999	Manidis
D423,220	S	4/2000	McDade



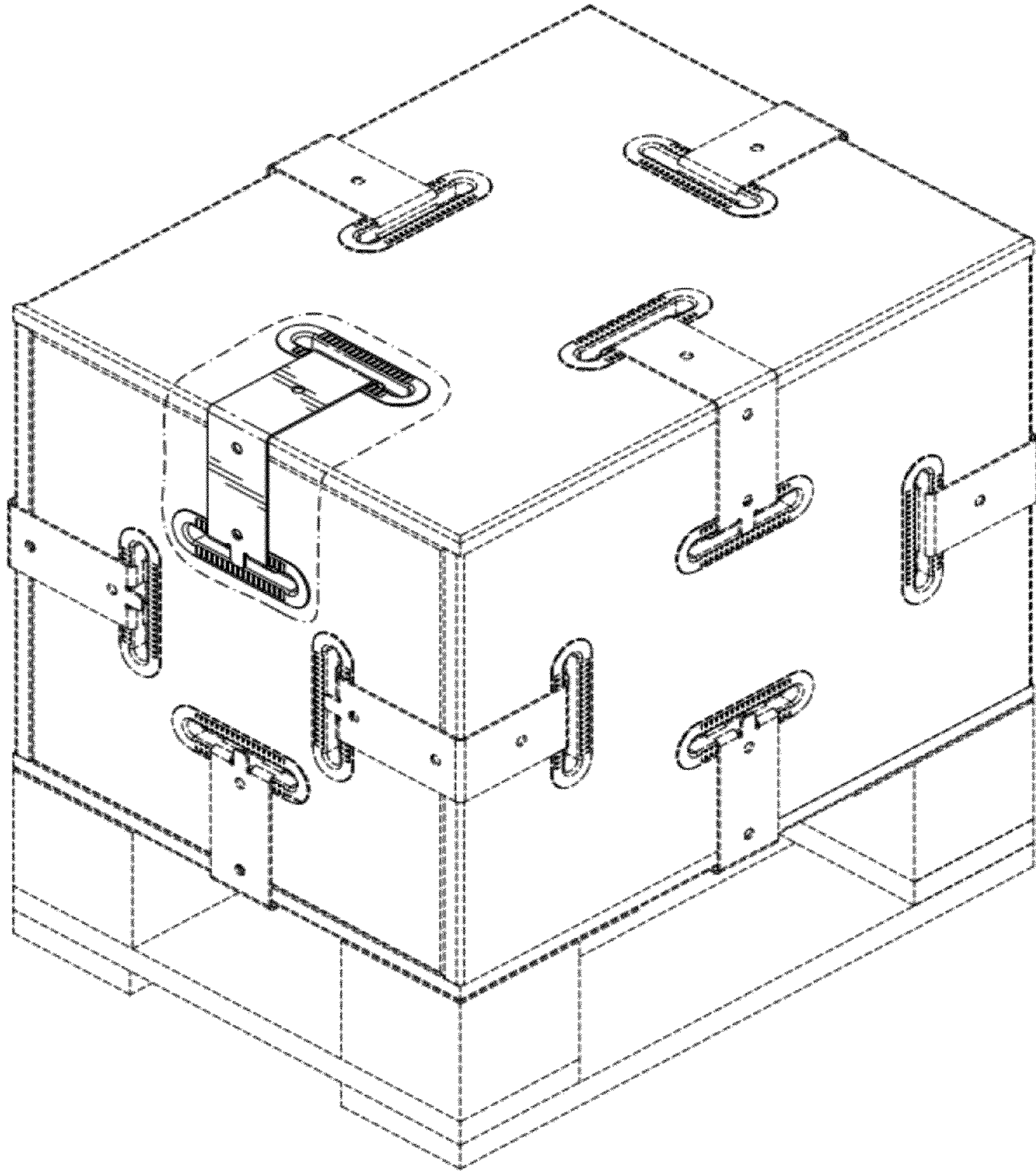


FIG. 1

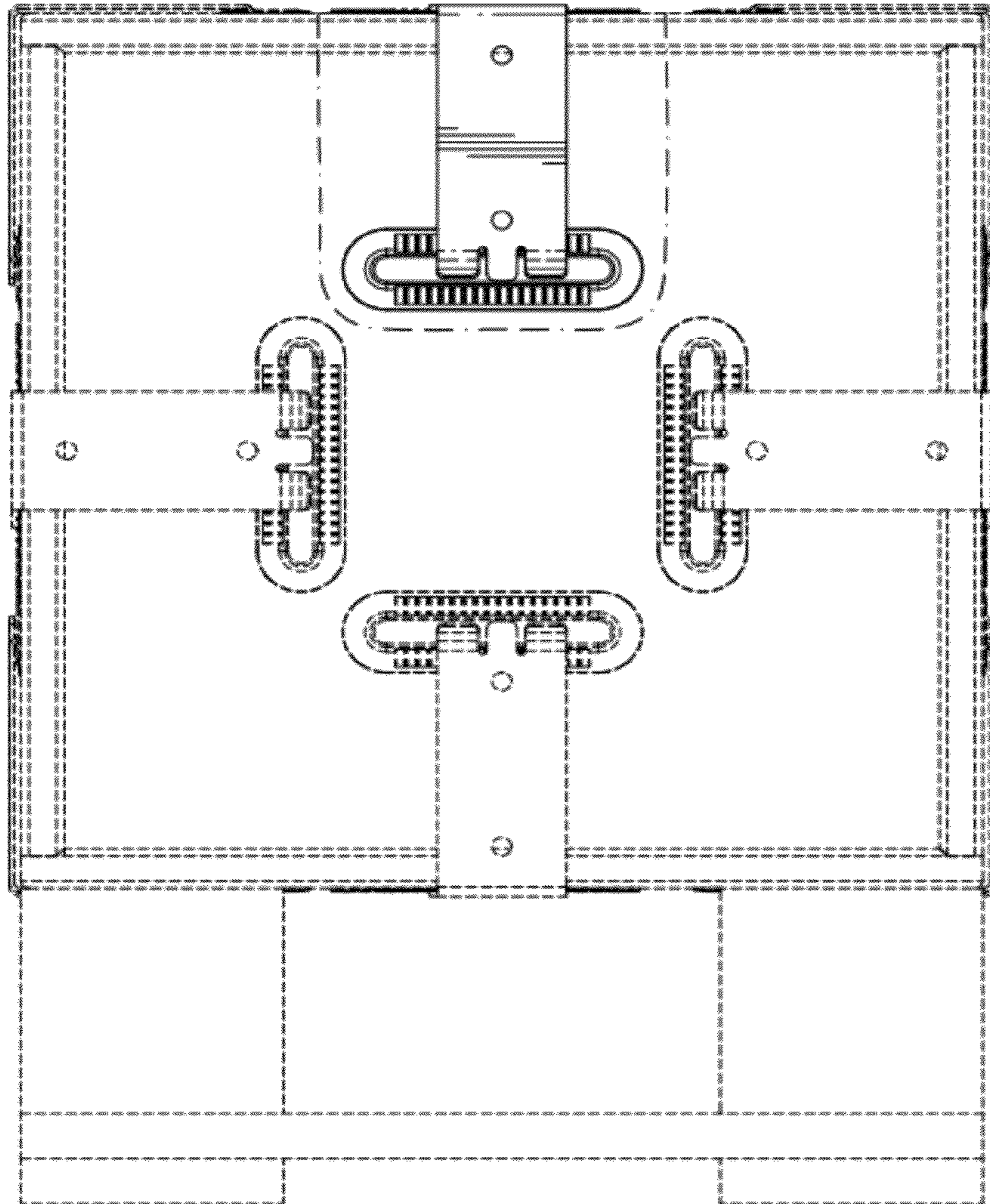


FIG. 2

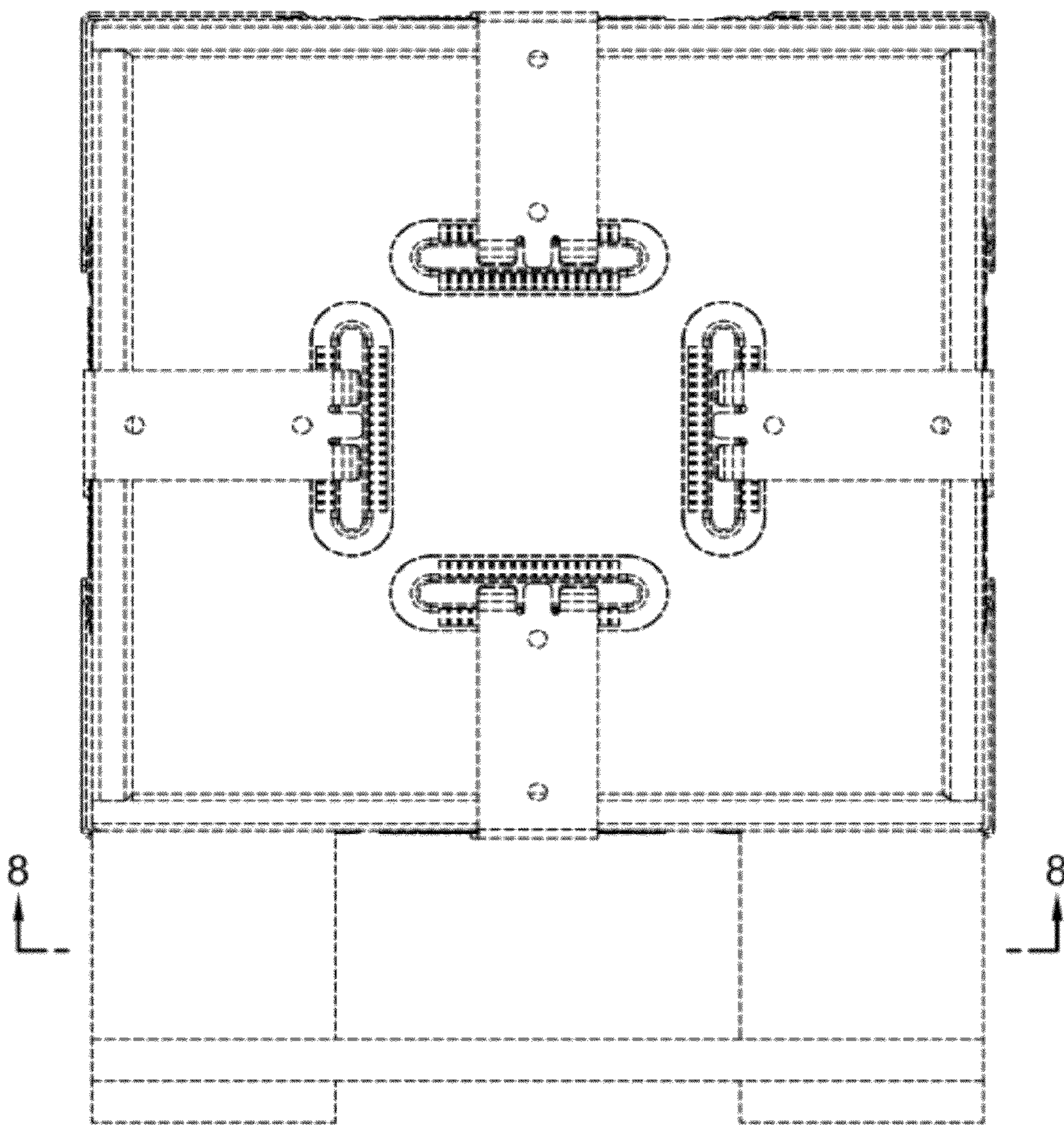


FIG. 3

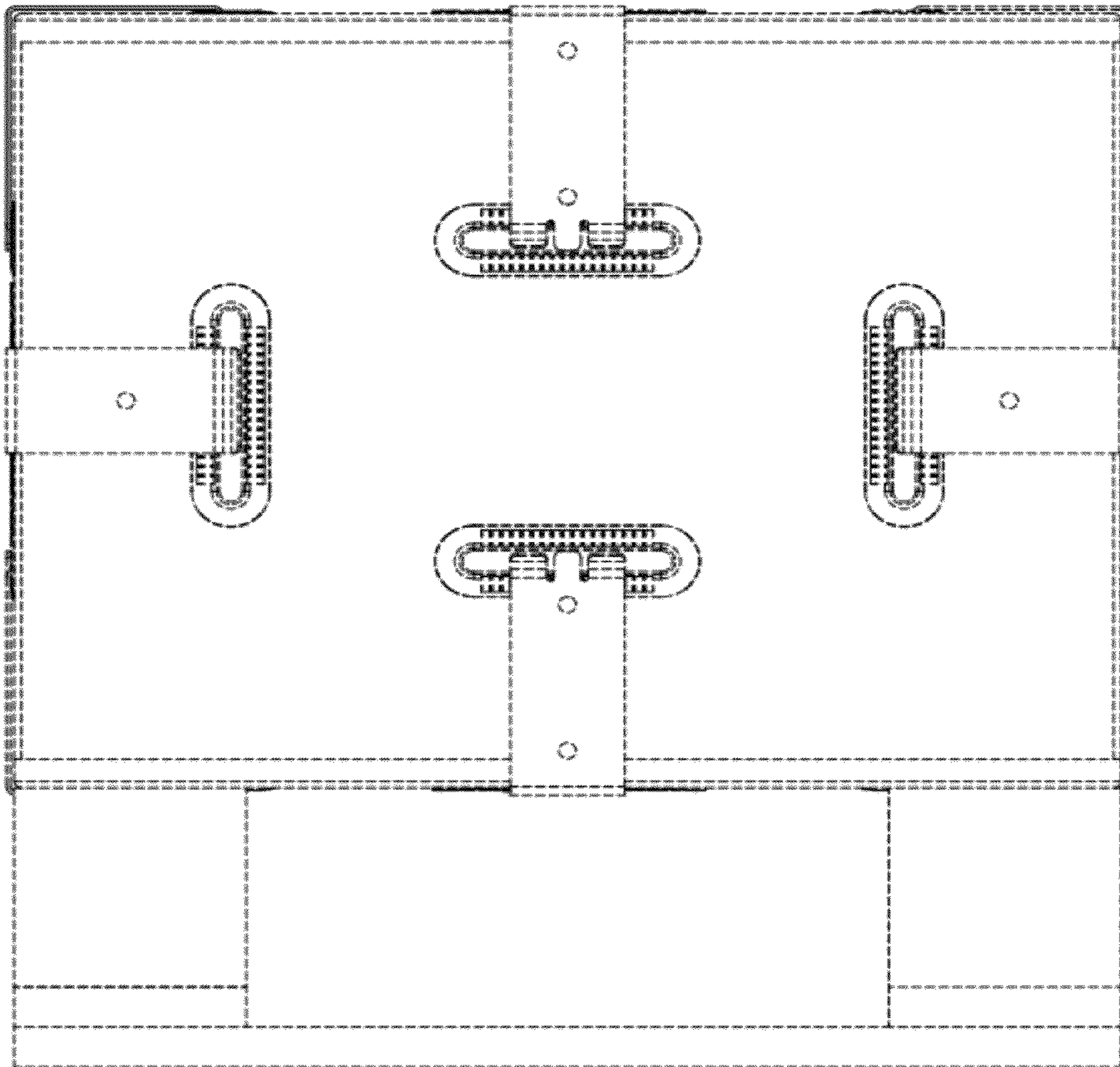


FIG. 4

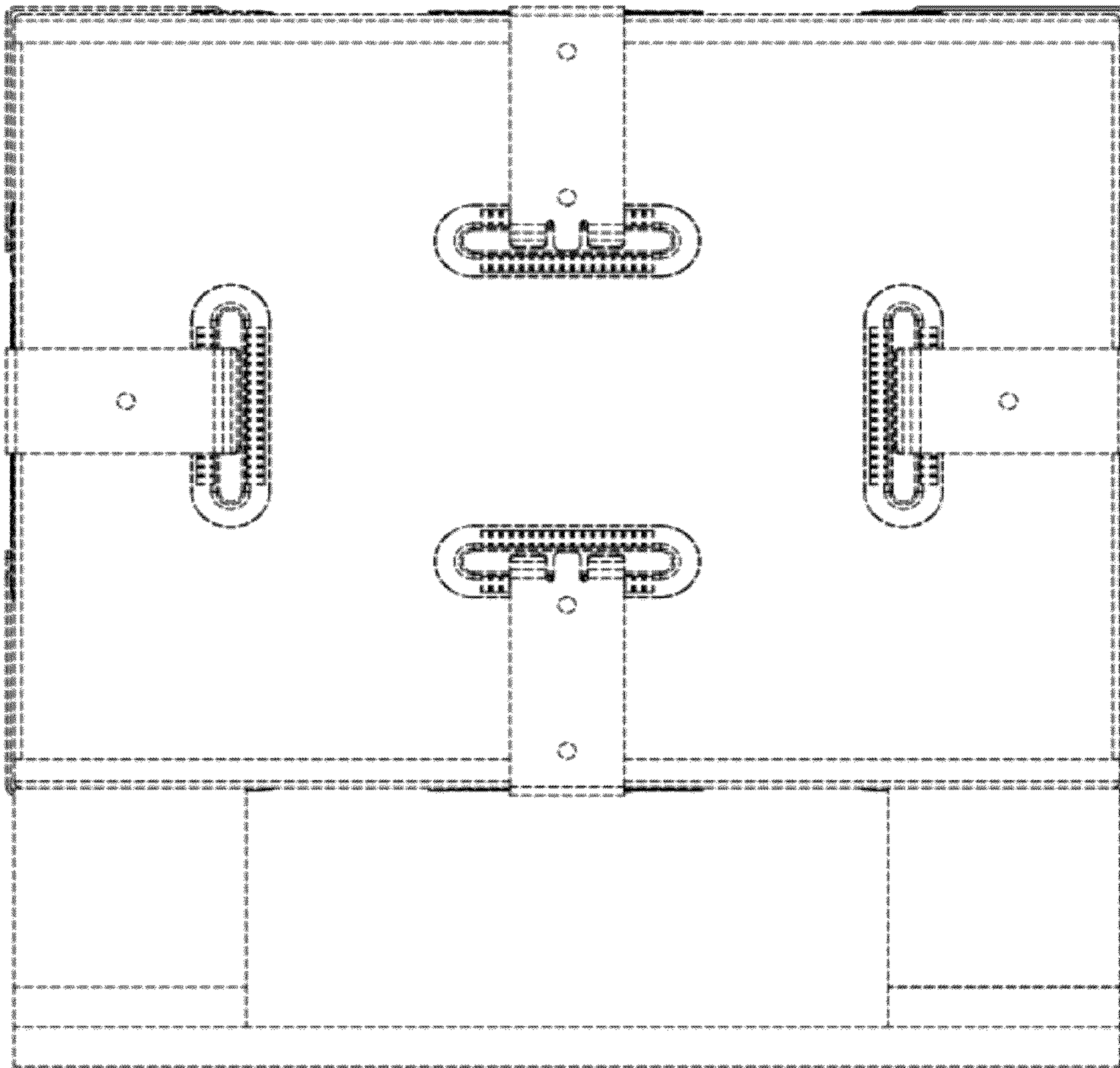


FIG. 5

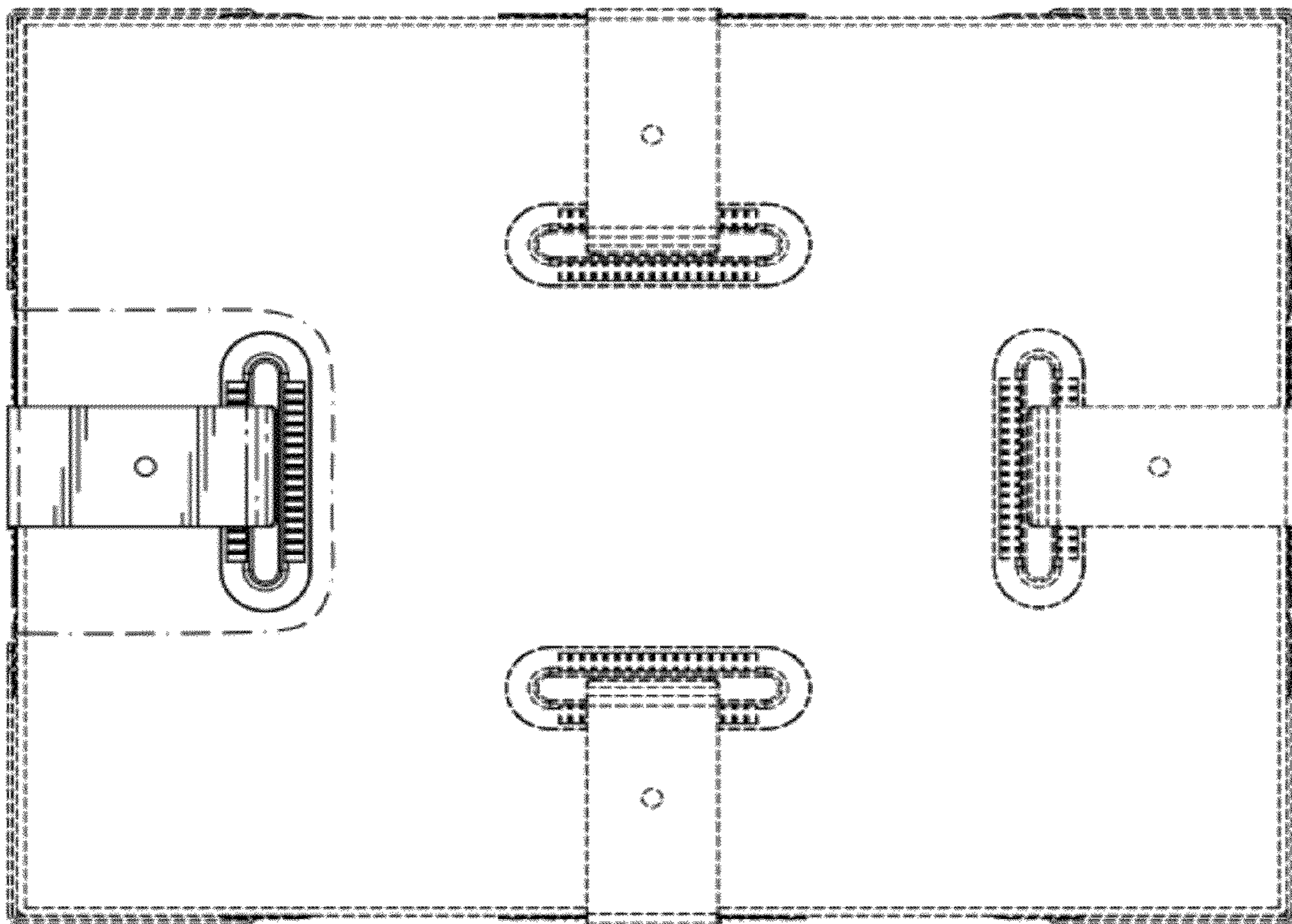


FIG. 6

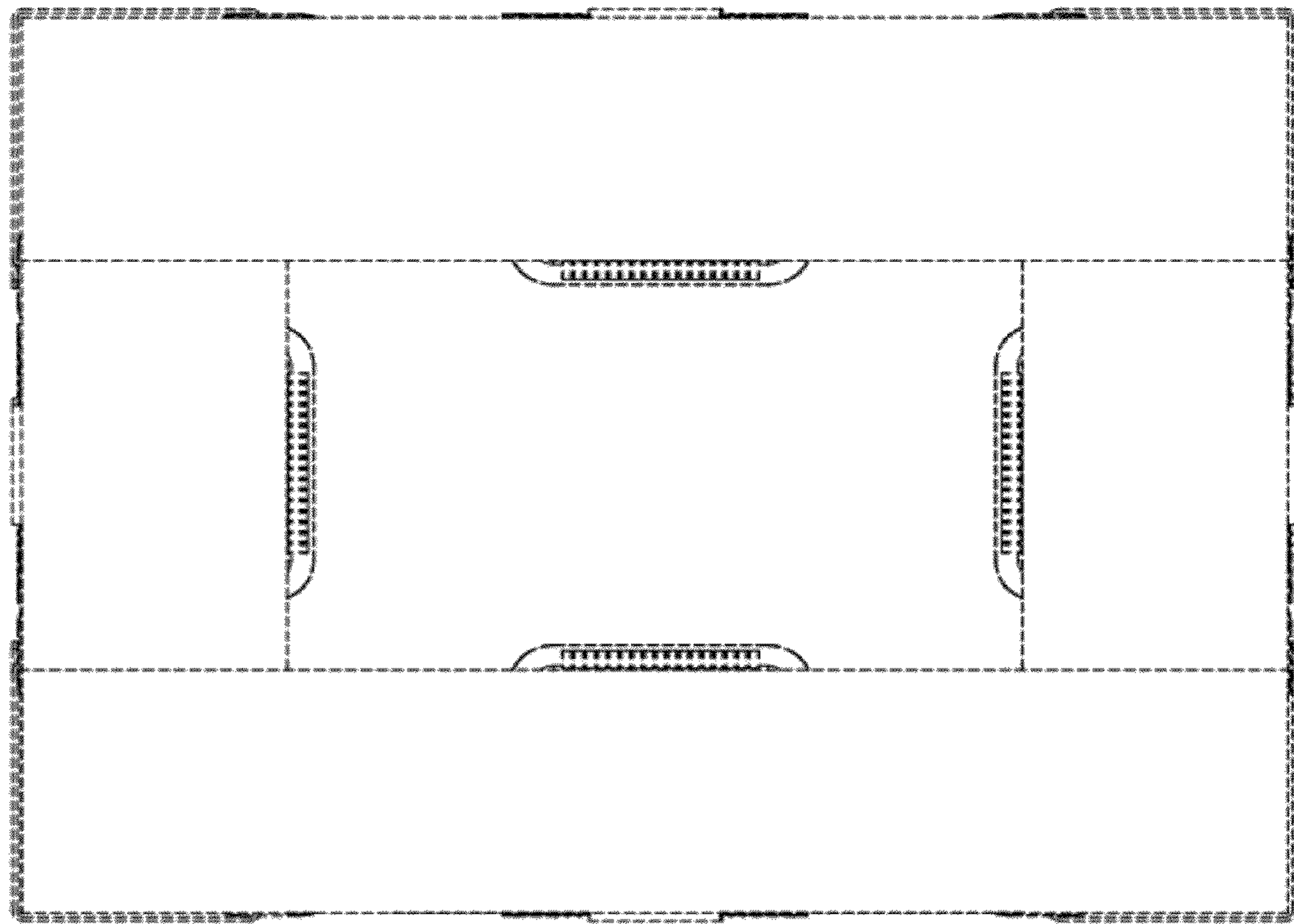


FIG. 7

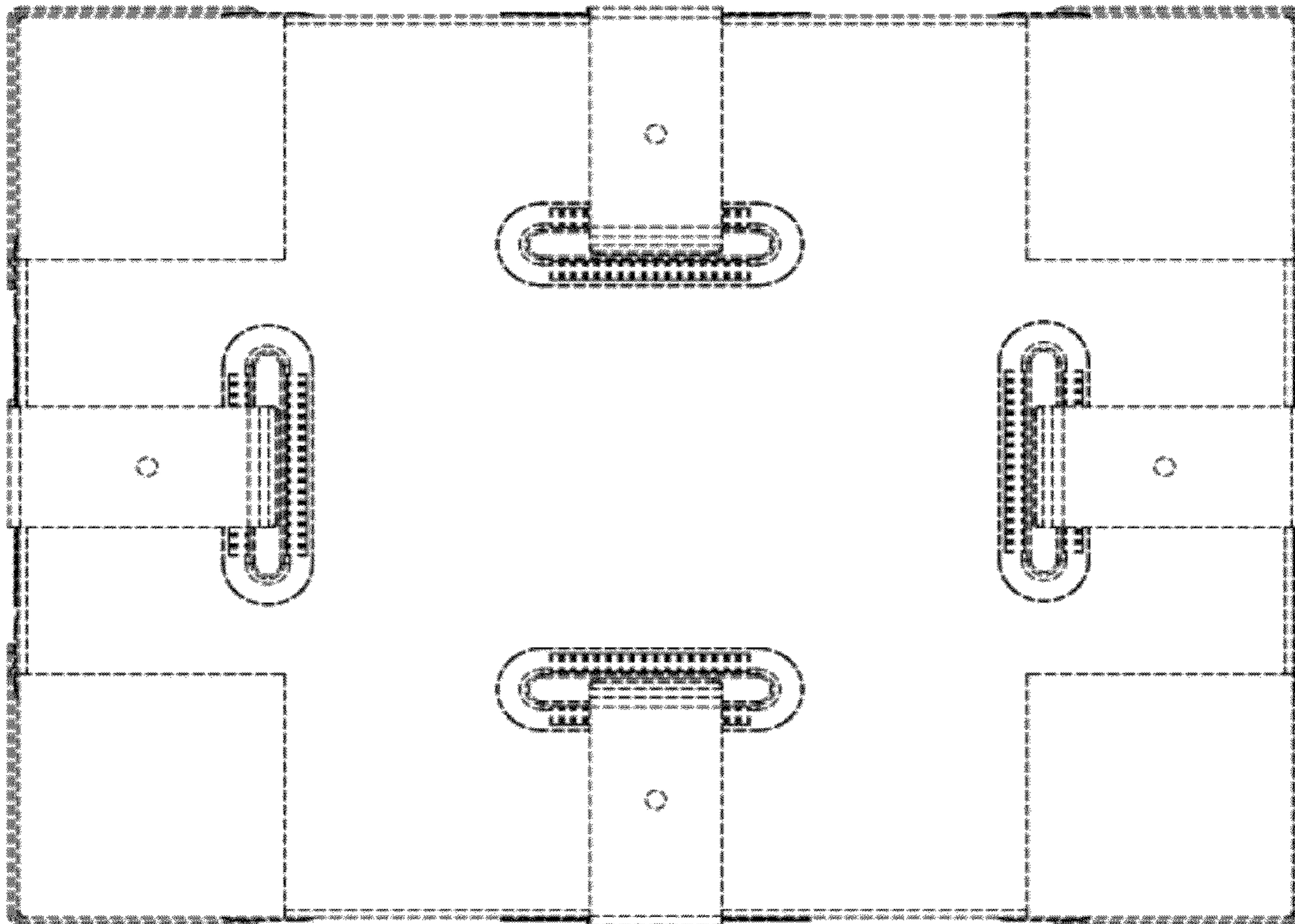


FIG. 8