



US00D677896S

(12) **United States Design Patent**
Wu

(10) **Patent No.:** **US D677,896 S**
(45) **Date of Patent:** **** Mar. 19, 2013**

(54) **TROLLEY HANDLE**

(76) Inventor: **Chen-Chuan Wu**, Hsin Chuang (TW)

(**) Term: **14 Years**

(21) Appl. No.: **29/410,079**

(22) Filed: **Jan. 4, 2012**

(51) **LOC (9) Cl.** **03-01**

(52) **U.S. Cl.** **D3/318**

(58) **Field of Classification Search** D3/318,
D3/284, 289; 190/109-115
See application file for complete search history.

(56) **References Cited**

U.S. PATENT DOCUMENTS

D528,302 S *	9/2006	Moon	D3/318
D553,364 S *	10/2007	Moon	D3/318
D575,514 S *	8/2008	Moon	D3/318
D591,511 S *	5/2009	Wu	D3/318

* cited by examiner

Primary Examiner — Holly Baynham

(74) *Attorney, Agent, or Firm* — Muncy, Geissler, Olds & Lowe, PLLC

(57) **CLAIM**

The ornamental design for a trolley handle, as shown and described.

DESCRIPTION

FIG. 1 is a perspective view of a trolley handle showing the new design;

FIG. 2 is a front view thereof;

FIG. 3 is a rear view thereof;

FIG. 4 is a left side view thereof;

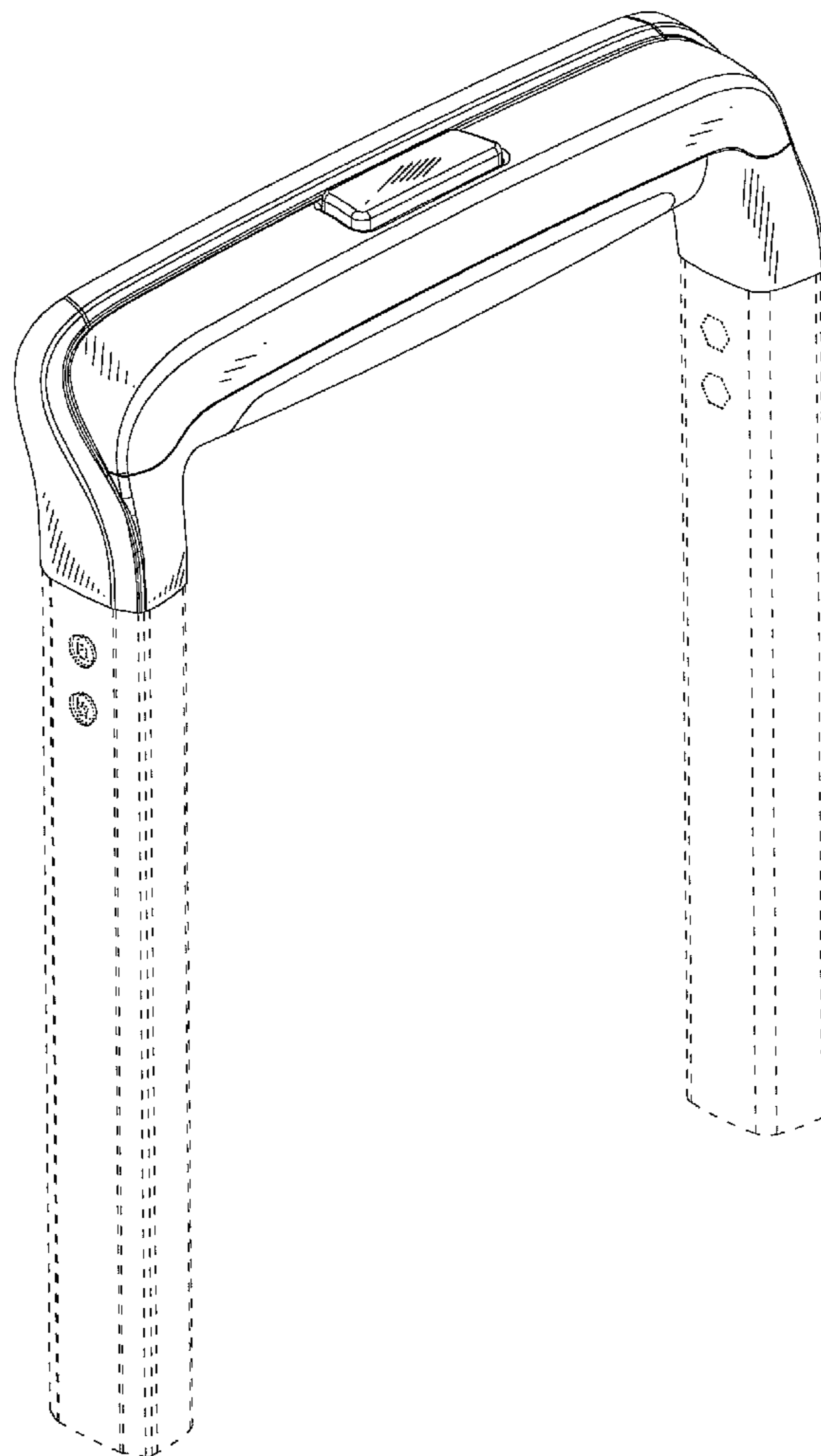
FIG. 5 is a right side view thereof;

FIG. 6 is a top view thereof; and,

FIG. 7 is a bottom view thereof.

The broken lines showing the shaft portion of the handle are for the purposes of illustrating environment and forms no part of the claimed design.

1 Claim, 6 Drawing Sheets



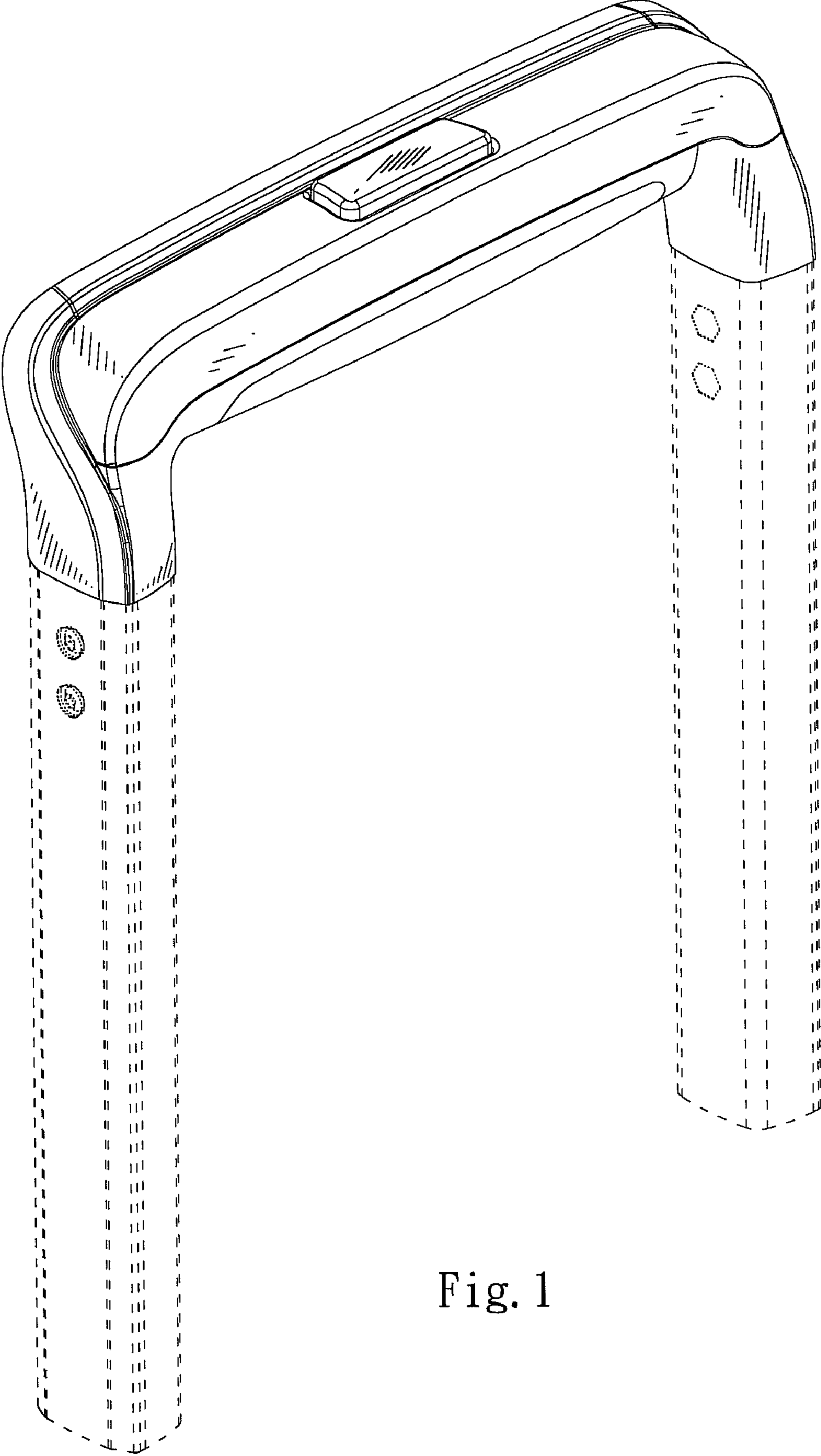


Fig. 1

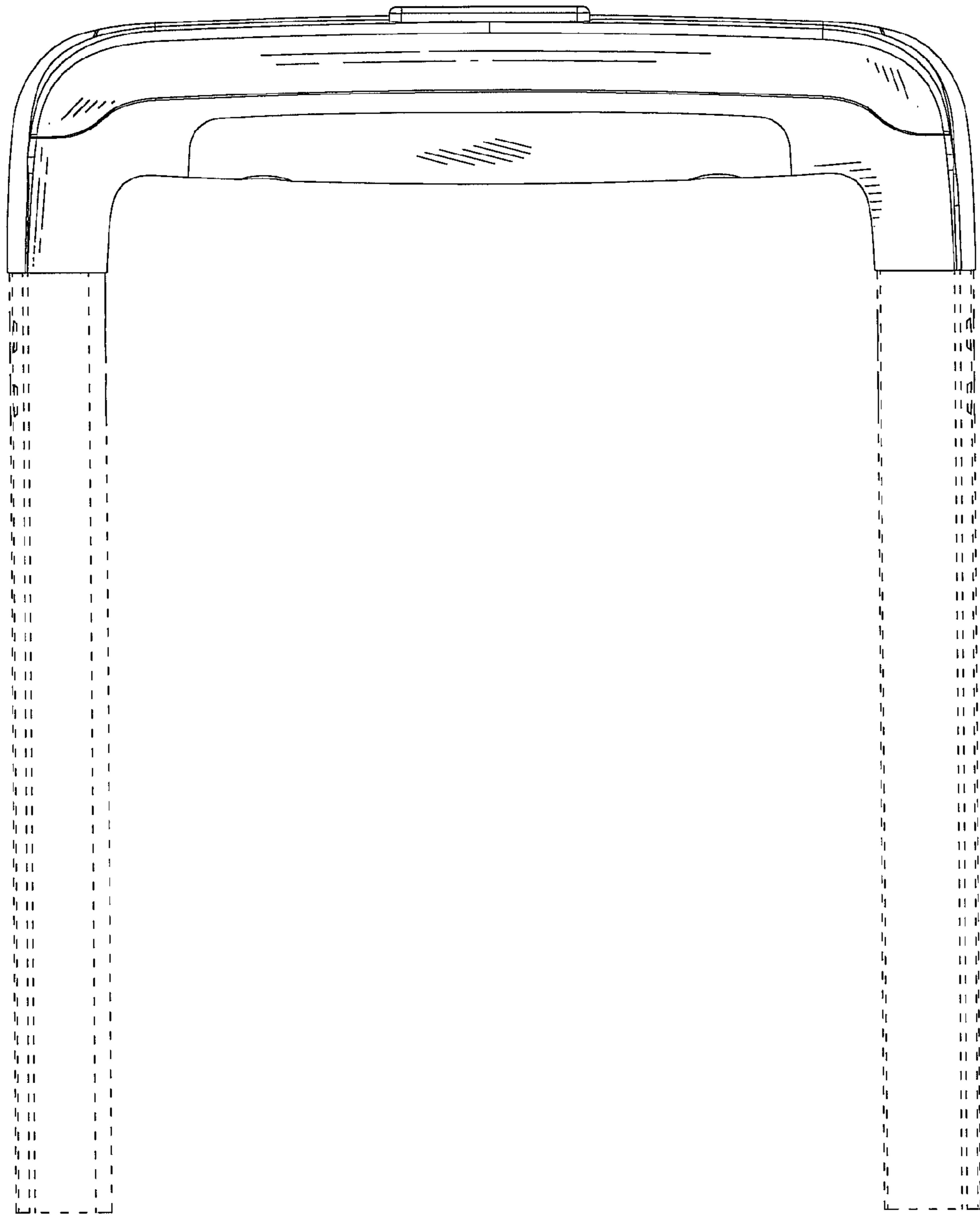


Fig. 2

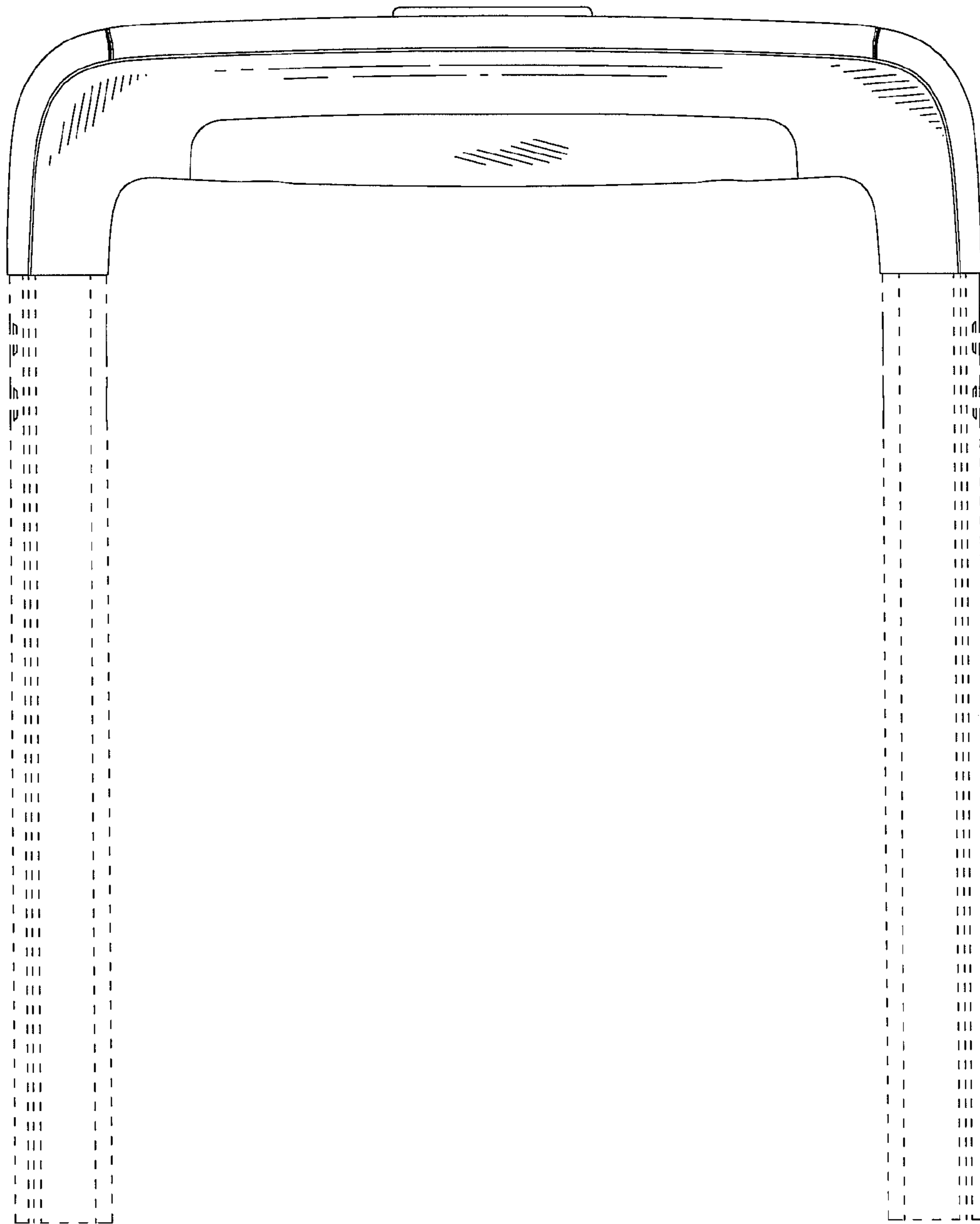


Fig. 3

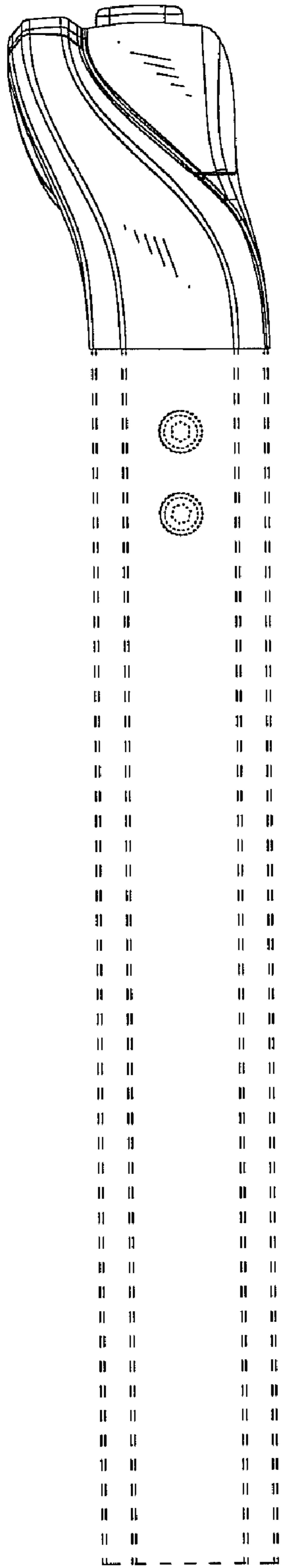


Fig. 4

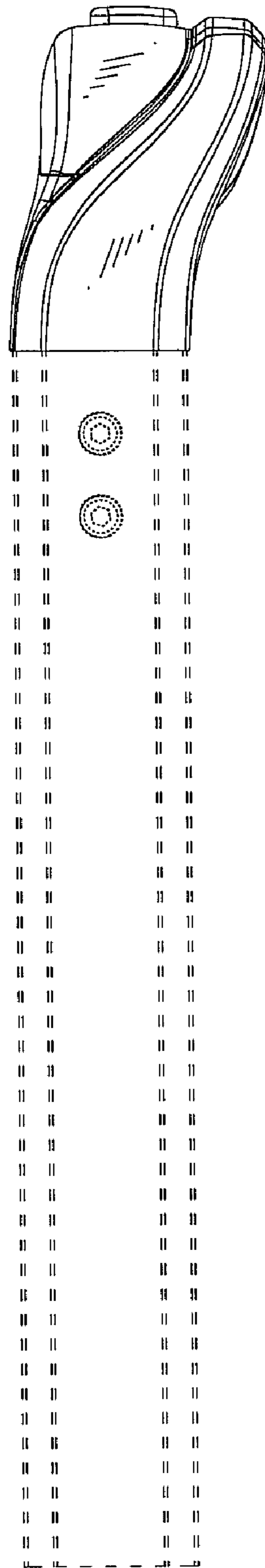


Fig. 5

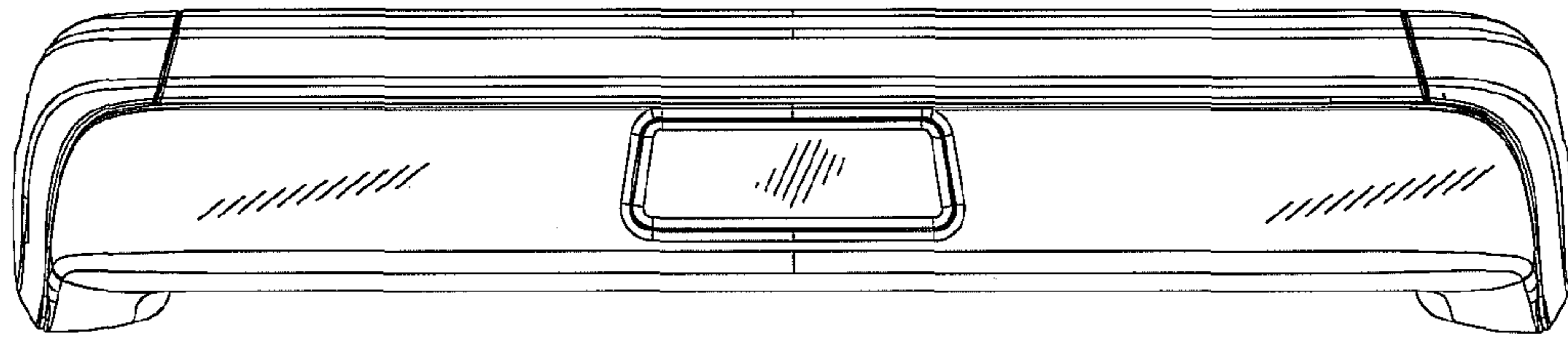


Fig. 6

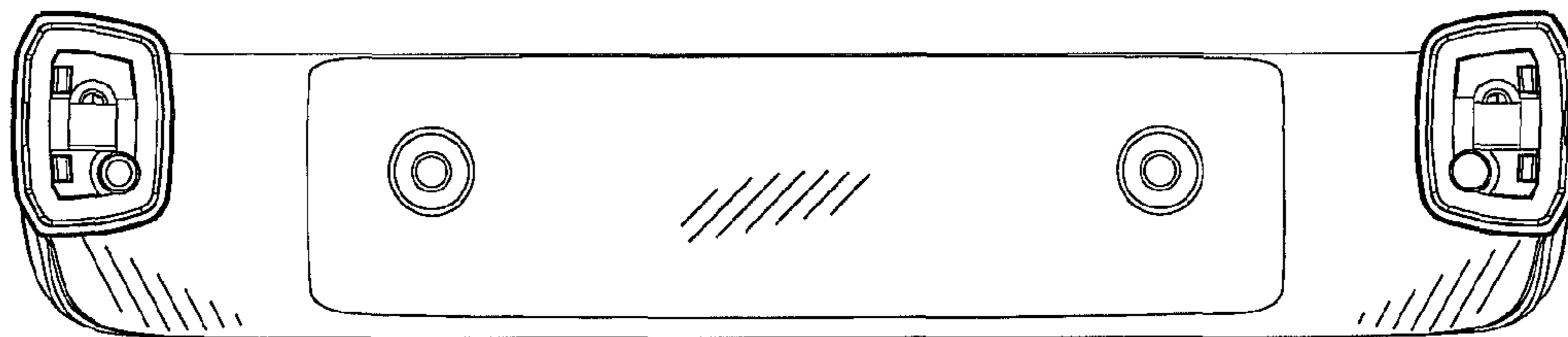


Fig. 7