

US00D677895S

(12) **United States Design Patent**
Camp, III

(10) **Patent No.:** **US D677,895 S**

(45) **Date of Patent:** **** Mar. 19, 2013**

- (54) **PORTABLE CONTAINER**
- (76) Inventor: **Walter Edward Camp, III**, Anthem, AZ (US)
- (**) Term: **14 Years**
- (21) Appl. No.: **29/405,370**
- (22) Filed: **Nov. 1, 2011**
- (51) **LOC (9) Cl.** **03-01**
- (52) **U.S. Cl.** **D3/318**
- (58) **Field of Classification Search** D3/318, D3/273, 294; D32/53; 220/23.83, 500
See application file for complete search history.

NutsForHunting.com, Evans Sports 5 Gallon Camo Bucket Hunting Seat, web page Downloaded Nov. 3, 2011, <http://astore.amazon.com/nufohu-20/detail/B00196Y8DY>.
 Evans Sports, Craftsmen of Outdoor Lifestyle Products, web page Downloaded Nov. 3, 2011, http://www.evanssports.com/buckets_accessories.html.
 NRAhuntersrights.org, Evans Magnum Plus Sports Bucket, web page Downloaded Nov. 3, 2011, <http://www.nrahuntersrights.org/Article.aspx?id=767>.
 All-Spec Industries, 56 Pocket Bucket Boss® Tool Organizer, Downloaded Nov. 3, 2011, <http://www.all-spec.com/products/01056.html>.

* cited by examiner

(56) **References Cited**

U.S. PATENT DOCUMENTS

2,919,169	A	12/1959	Jackson	
3,751,845	A	8/1973	van Leeuwen	
3,958,359	A	5/1976	Doughty	
4,765,472	A	8/1988	Dent	
4,826,007	A	5/1989	Skeie	
4,911,295	A	3/1990	Venegoni	
5,174,447	A	12/1992	Fleming	
5,261,561	A	11/1993	Hodges, Jr.	
5,429,265	A	7/1995	Maire et al.	
D371,185	S	6/1996	Mullins	
5,782,451	A	7/1998	Carnahan et al.	
D398,193	S *	9/1998	Sanchez	D7/608
5,938,276	A	8/1999	Munoz et al.	
D439,022	S *	3/2001	Brandeis	D32/53
D446,617	S	8/2001	Urbanski	
6,896,330	B1	5/2005	Yu	
6,997,512	B1	2/2006	Yu	
D634,908	S	3/2011	Lortscher	
D649,726	S *	11/2011	Manuel	D32/53

OTHER PUBLICATIONS

Cabela's, Big Game Sport Bucket, web page Downloaded Nov. 3, 2011, <http://www.cabelas.com/hunting-accessories-big-game-sport-bucket-1.shtml>.

Primary Examiner — Holly Baynham

(74) *Attorney, Agent, or Firm* — Quarles & Brady LLP

(57) **CLAIM**

The ornamental design for a portable container, as shown and described.

DESCRIPTION

FIG. 1 is a front, top perspective view of a portable container showing my new design;
 FIG. 2 is a front view thereof;
 FIG. 3 is a back view thereof;
 FIG. 4 is a left, side view thereof;
 FIG. 5 is a right, side view thereof;
 FIG. 6 is a top view thereof; and,
 FIG. 7 is a bottom view thereof.

The broken lines showing portions of the container and caddy are for the purposes of illustrating environment and form no part of the claimed design.

1 Claim, 6 Drawing Sheets

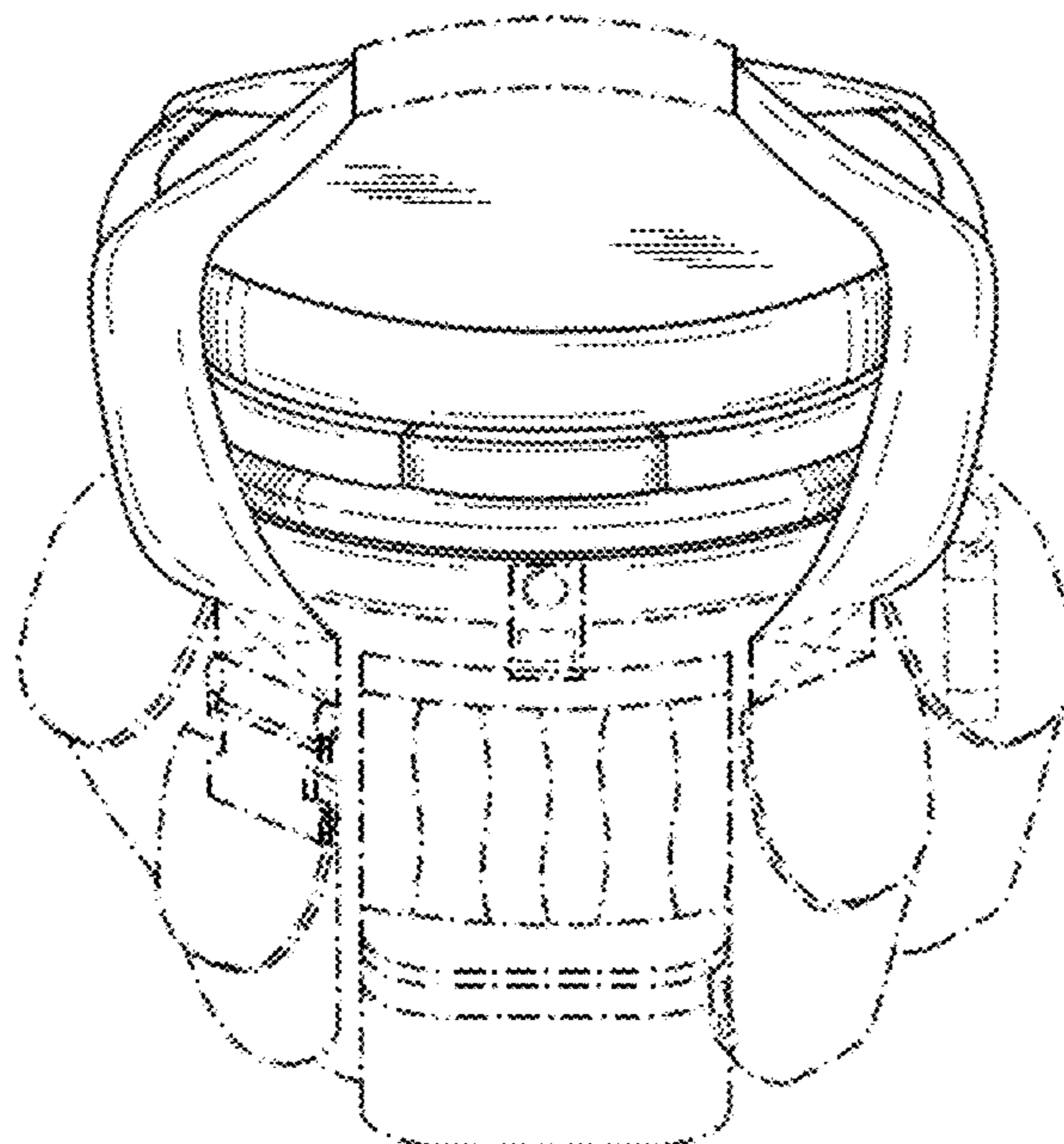


FIG. 1

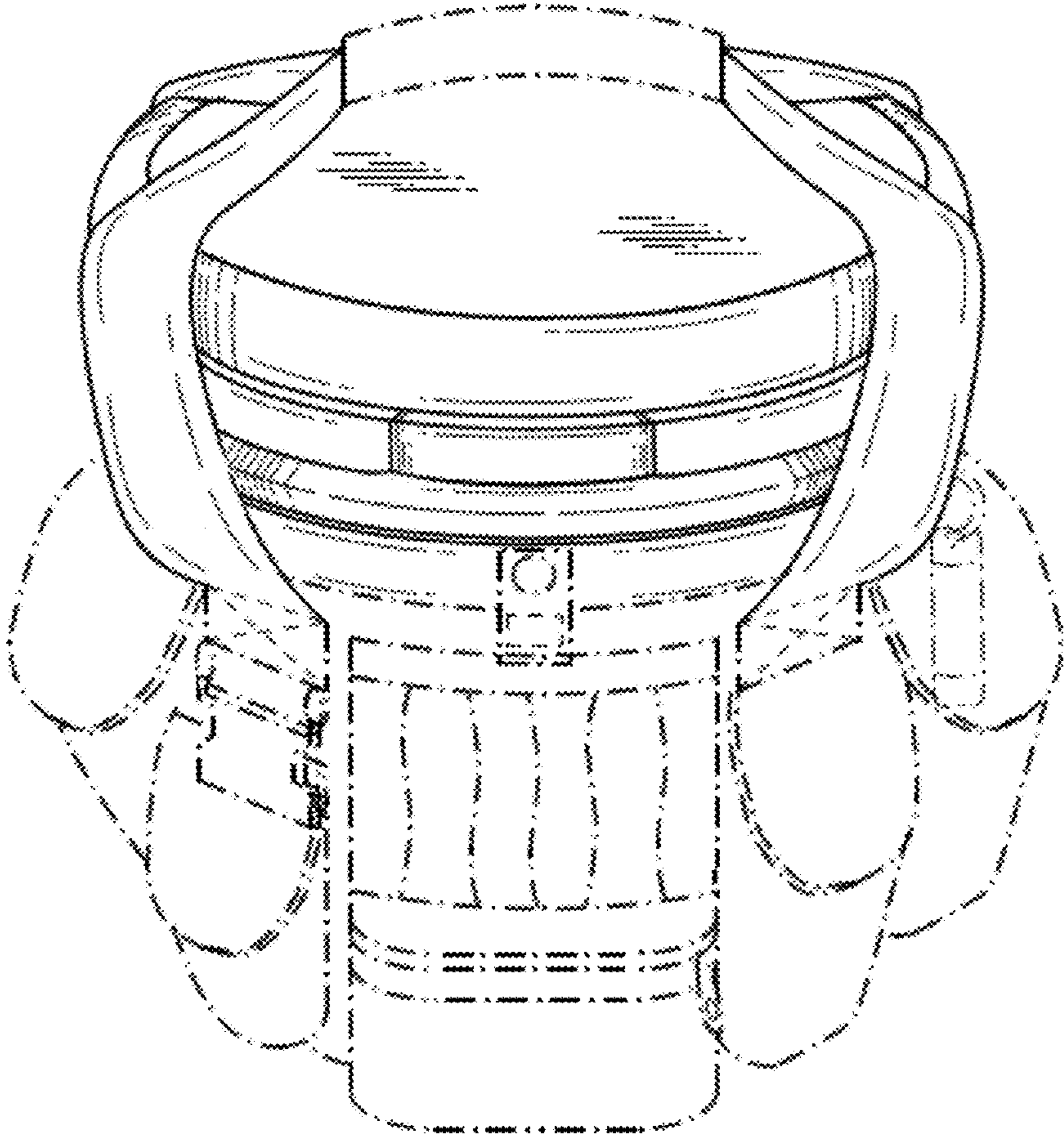


FIG. 2

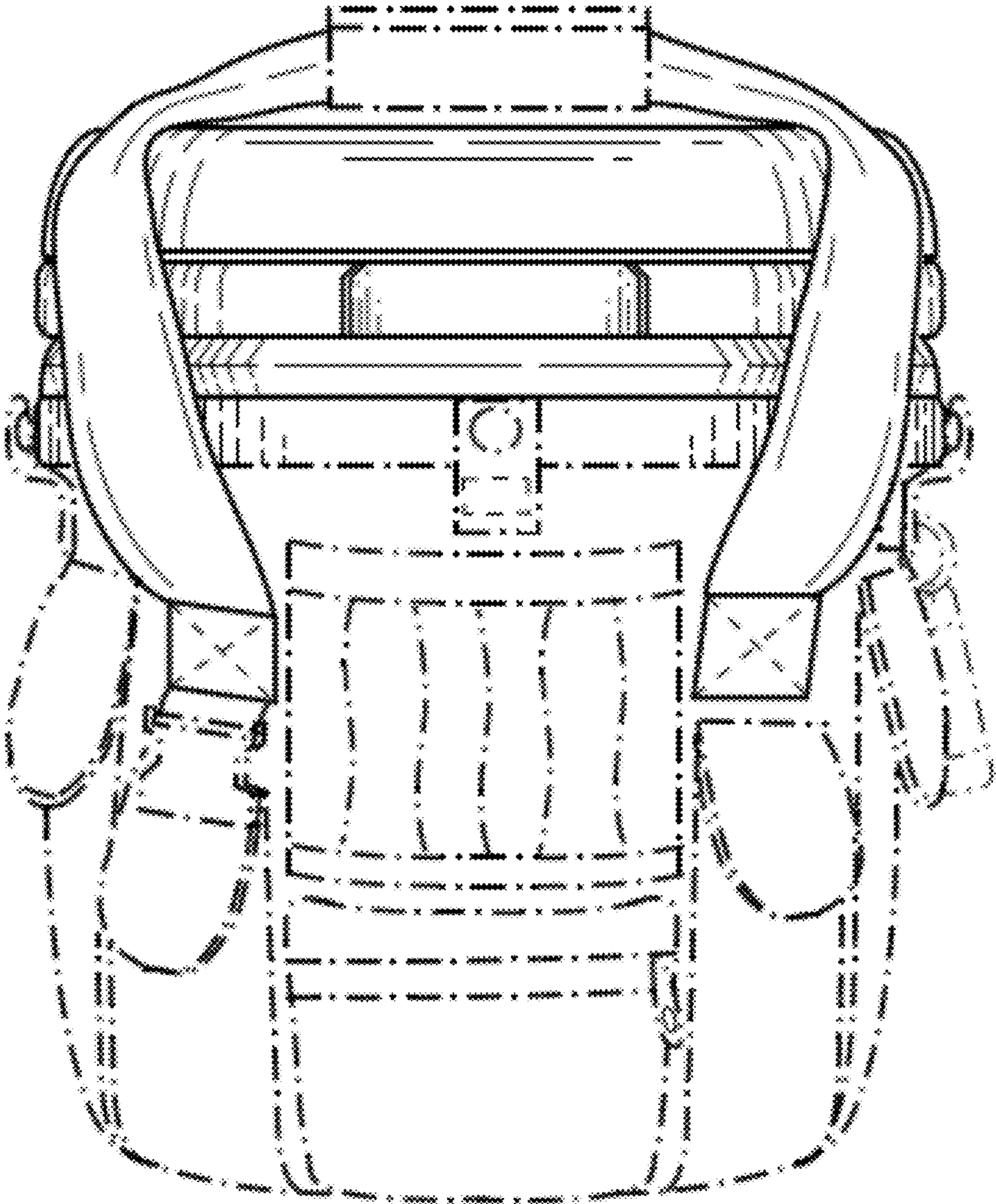


FIG. 3

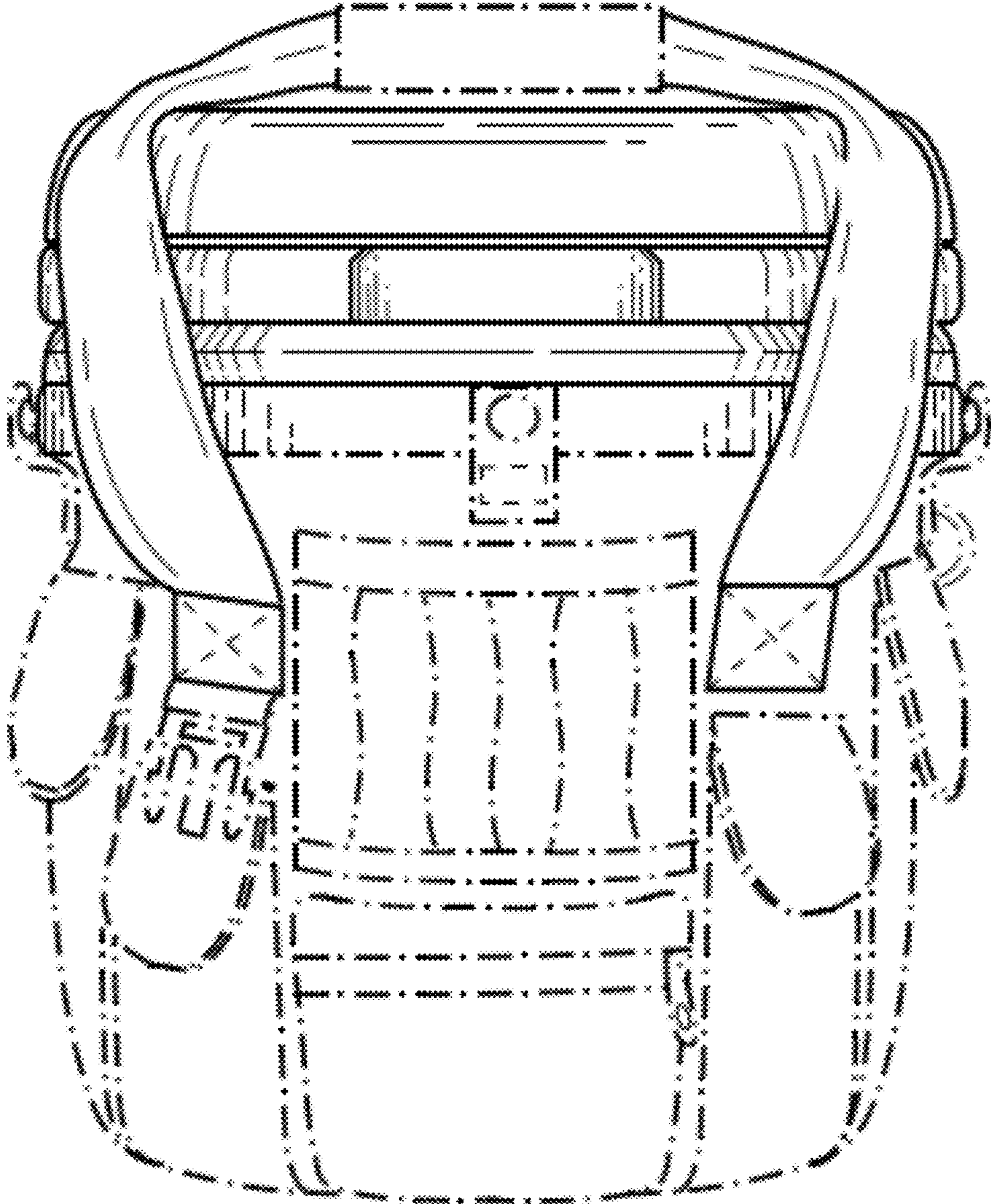


FIG. 4

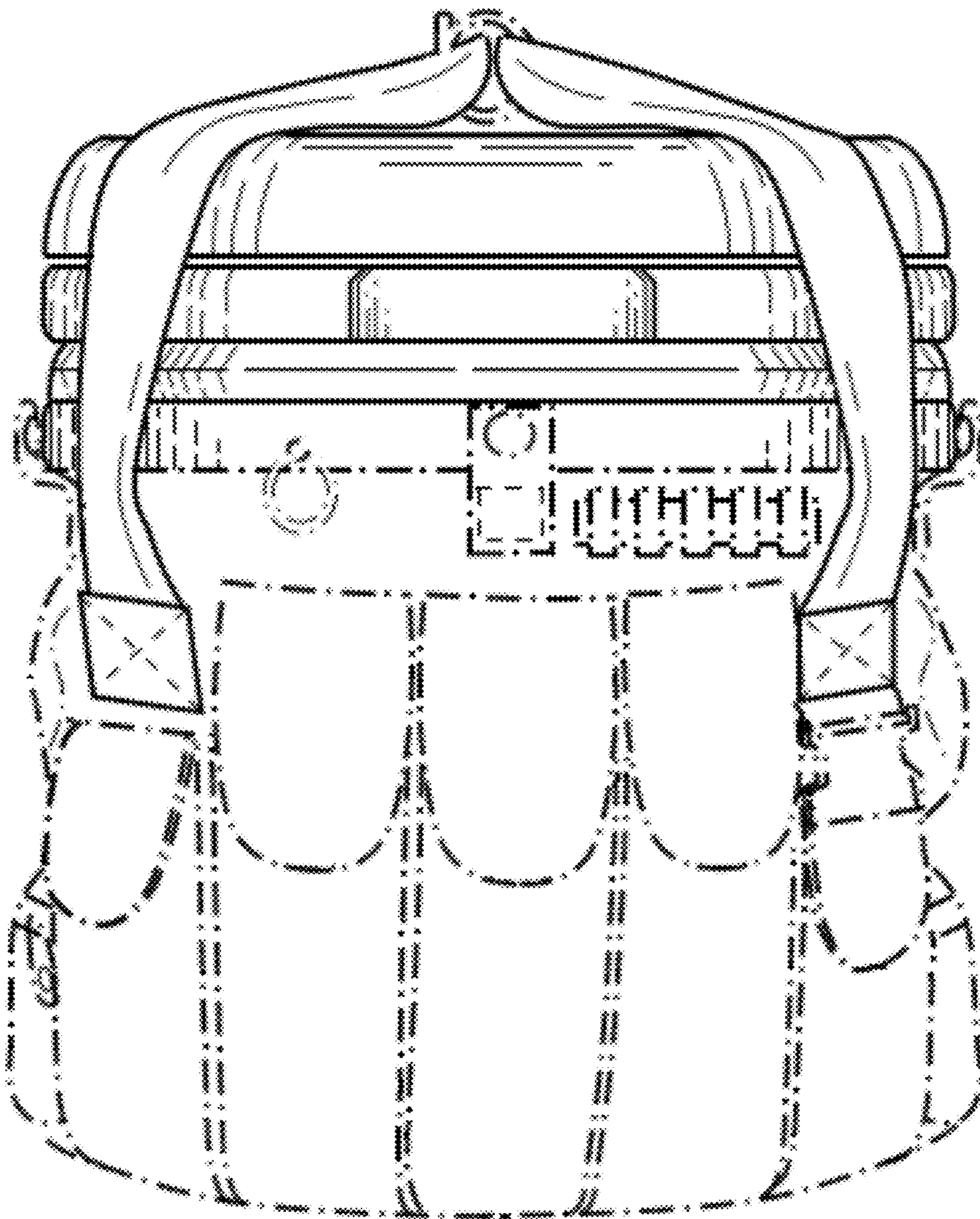


FIG. 5

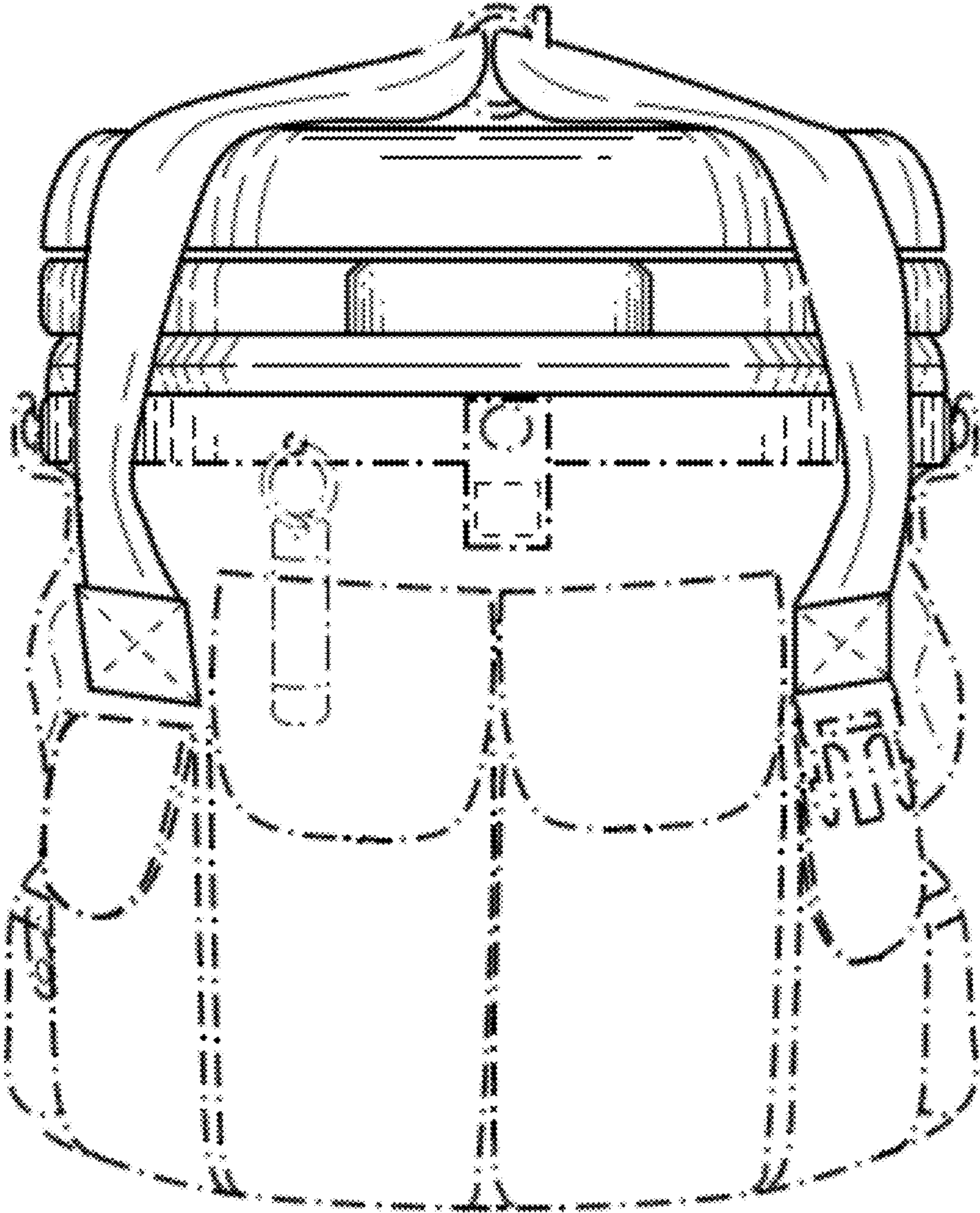


FIG. 6

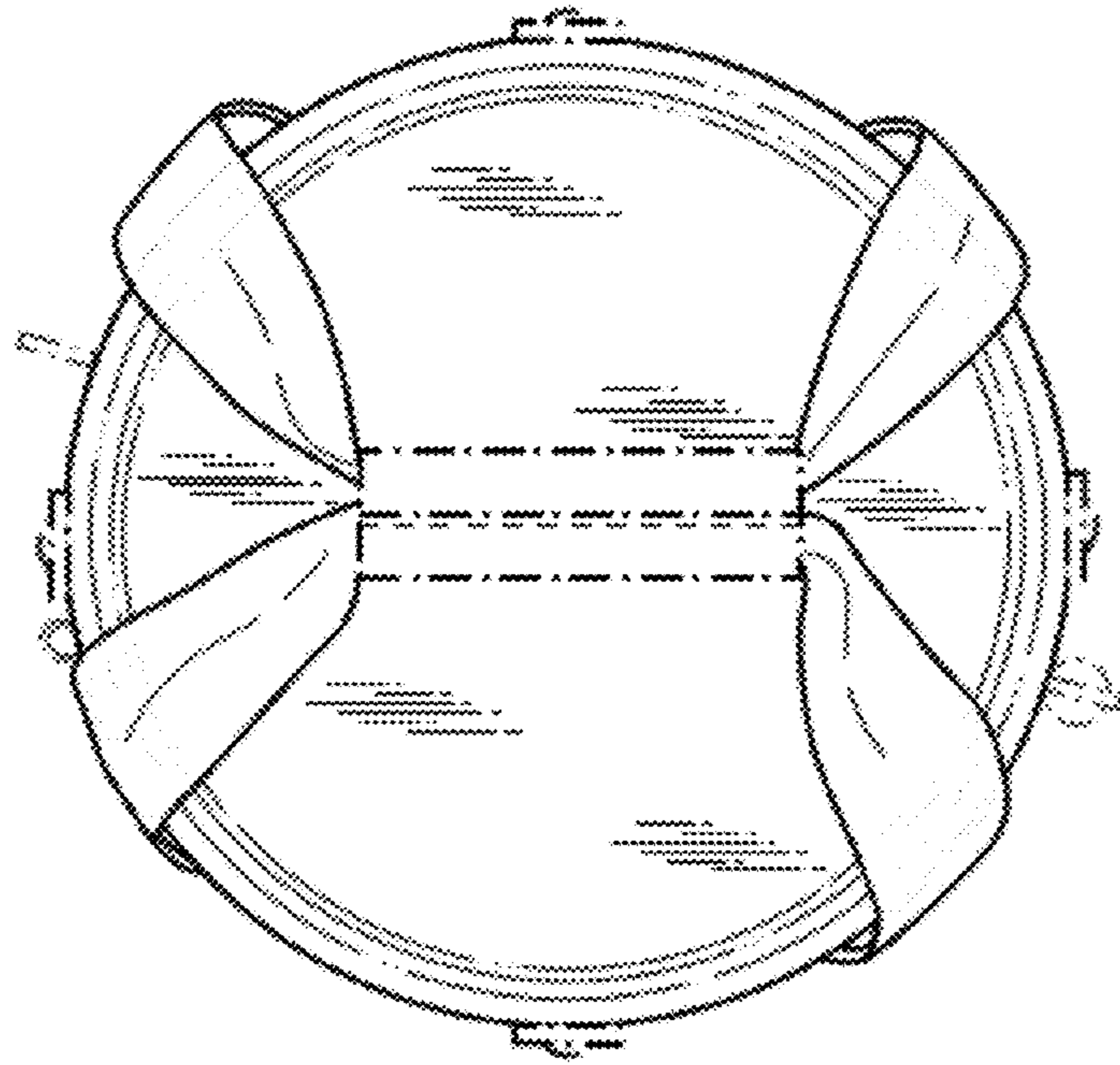


FIG. 7

