



US00D677892S

(12) **United States Design Patent**
Van Ness

(10) **Patent No.:** **US D677,892 S**
(45) **Date of Patent:** **** *Mar. 19, 2013**

(54) **CONTAINER**

(76) Inventor: **William Van Ness**, Saddle River, NJ
(US)

(*) Notice: This patent is subject to a terminal disclaimer.

(**) Term: **14 Years**

(21) Appl. No.: **29/291,693**

(22) Filed: **Sep. 10, 2007**

(51) **LOC (9) Cl.** **03-01**

(52) **U.S. Cl.** **D3/294; D7/629**

(58) **Field of Classification Search** D3/273,
D3/276, 294–295, 302; D6/432, 440, 443;
D9/420, 424, 430–431; D30/121–122, 133;
D32/37; D34/1, 5, 7–8; D7/629; 220/820,
220/831–832, 908

See application file for complete search history.

(56) **References Cited**

U.S. PATENT DOCUMENTS

D140,273	S	*	2/1945	Dieter	D32/37
D215,617	S	*	10/1969	Hack	D34/8
4,785,964	A	*	11/1988	Miller et al.	220/263
4,972,966	A	*	11/1990	Craft, Jr.	220/264
5,071,024	A	*	12/1991	Delmerico et al.	220/832
5,141,124	A	*	8/1992	Smith et al.	220/831
D329,929	S	*	9/1992	Knoedler et al.	D32/37
D342,609	S	*	12/1993	Brightbill	D3/294
5,356,027	A	*	10/1994	Craft et al.	220/840
D355,741	S	*	2/1995	Craft et al.	D34/5
D355,744	S	*	2/1995	Licari	D34/7
D362,933	S	*	10/1995	Calmeise	D32/37
5,511,807	A	*	4/1996	Snyder	280/47.26
D457,280	S	*	5/2002	Sofy	D32/37
D474,316	S	*	5/2003	Sofy et al.	D32/37
7,100,791	B2	*	9/2006	Berger	220/831
D540,992	S	*	4/2007	Fick	D30/133
7,234,327	B2	*	6/2007	Howes	70/159
D547,646	S	*	7/2007	Crawford et al.	D9/420

D553,359	S	*	10/2007	Johansen	D3/276
D554,302	S	*	10/2007	Fick	D30/133
D554,895	S	*	11/2007	Renard	D6/440
D562,128	S	*	2/2008	van de Velde	D9/420

OTHER PUBLICATIONS

Pet Food Storage Container. Downloaded at <http://www.walmart.com/ip/Pet-Food-Storage-Container-Cats-Dogs/10811477> on May 16, 2012.*

* cited by examiner

Primary Examiner — Philip S Hyder

Assistant Examiner — Roselynn Cody

(74) *Attorney, Agent, or Firm* — Thomas A. O'Rourke; Bower & O'Rourke, LLP

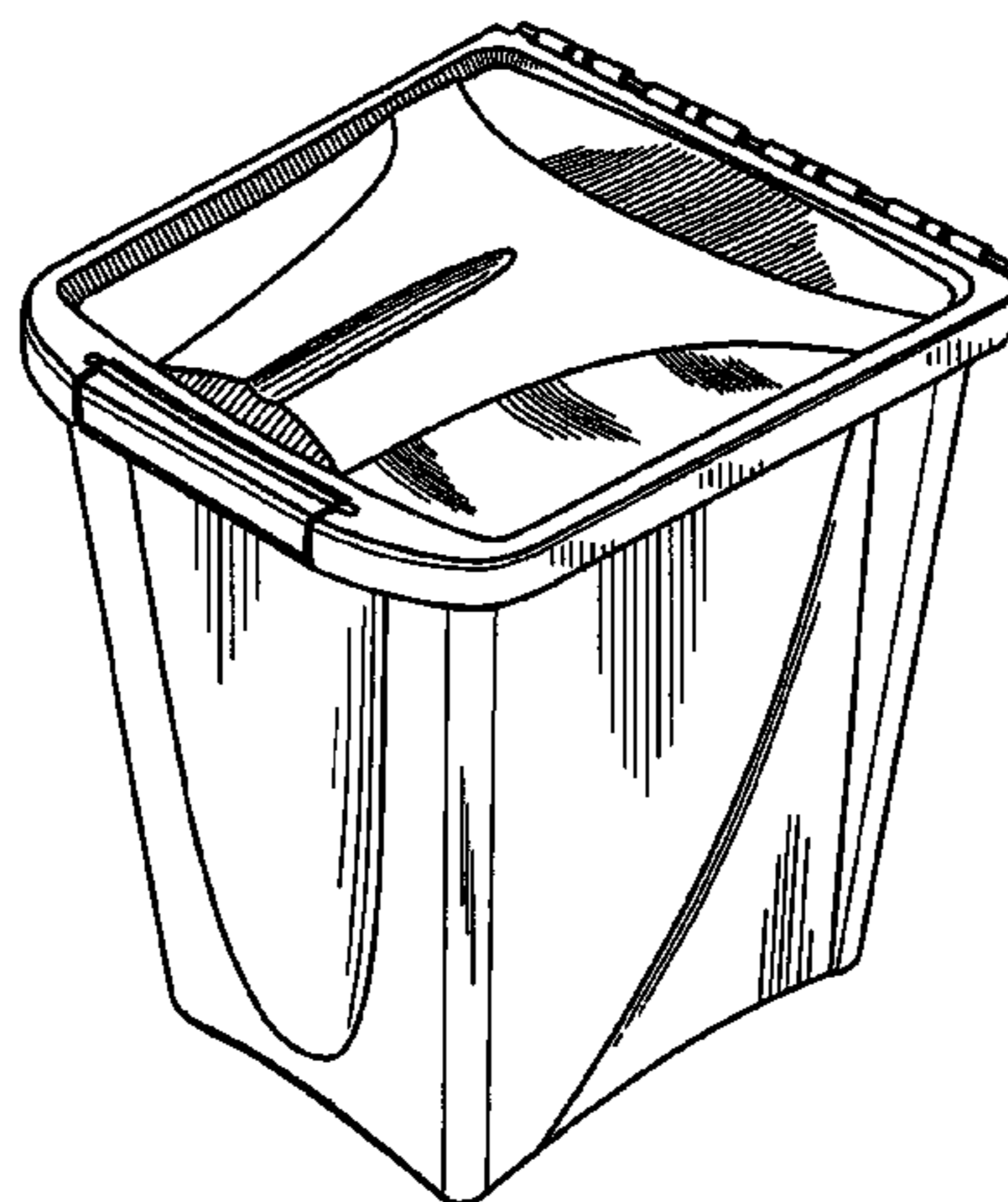
(57) **CLAIM**

I claim the ornamental design for a container, as shown and described.

DESCRIPTION

FIG. 1 is a left side view of the container of the present invention with the lid in a closed position; FIG. 2 is a front view of the container of FIG. 1; FIG. 3 is a right front view of the container of FIG. 1; FIG. 4 is a rear view of the container of FIG. 1; FIG. 5 is a top view of the container of FIG. 1; FIG. 6 is a bottom view of the container of FIG. 1; FIG. 7 perspective view of the container of FIG. 1; FIG. 8 is a left side view of the container of the present invention with the lid in an open position. FIG. 9 is a front view of the container of FIG. 8; FIG. 10 is a right front view of the container of FIG. 8; FIG. 11 is a rear view of the container of FIG. 8; FIG. 12 is a top view of the container of FIG. 8; FIG. 13 is a bottom view of the container of FIG. 8; and, FIG. 14 perspective view of the container of FIG. 8. Portions shown in broken line are included for the purpose of illustration only and form no part of the claimed design.

1 Claim, 14 Drawing Sheets



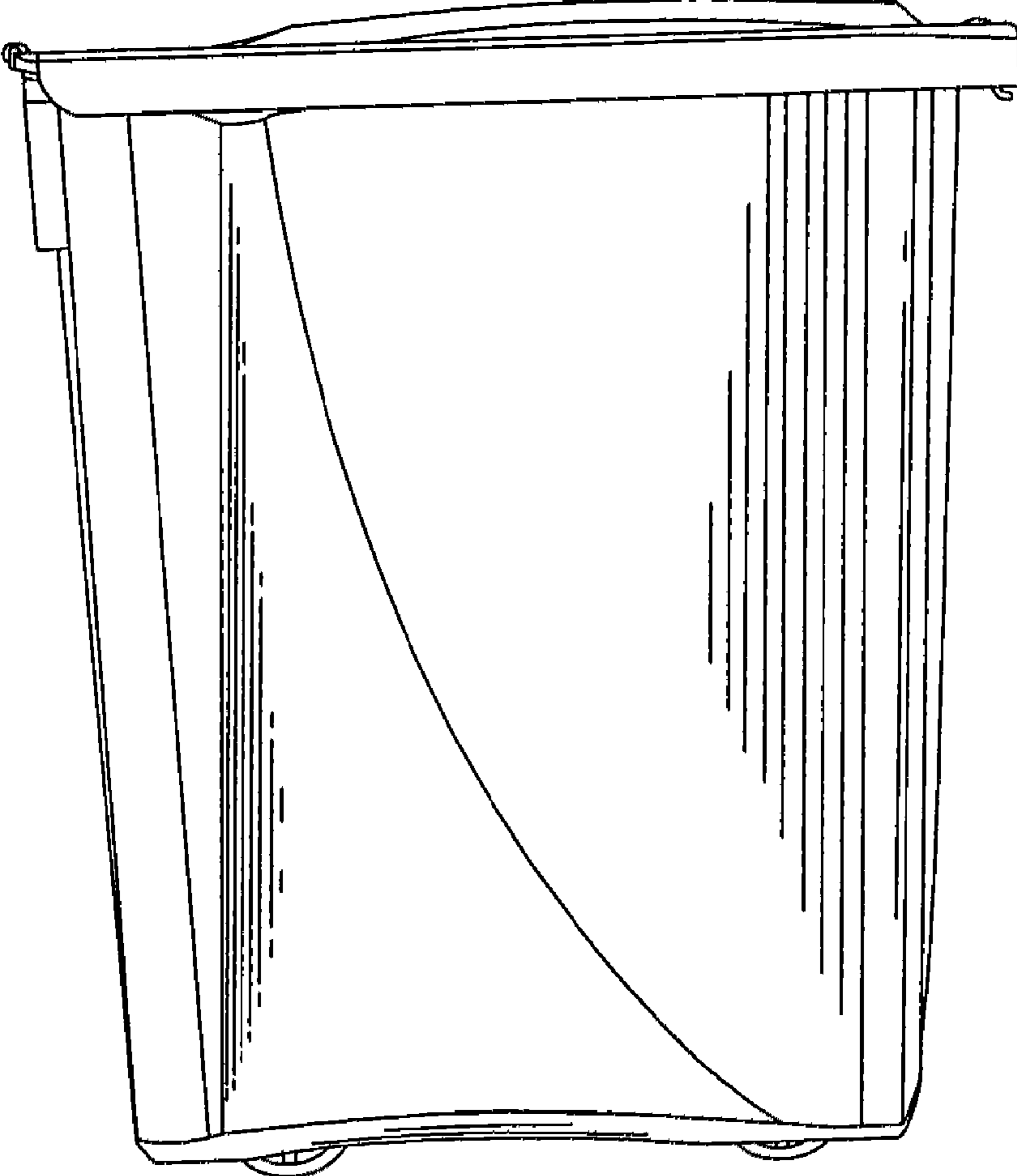


Figure 1

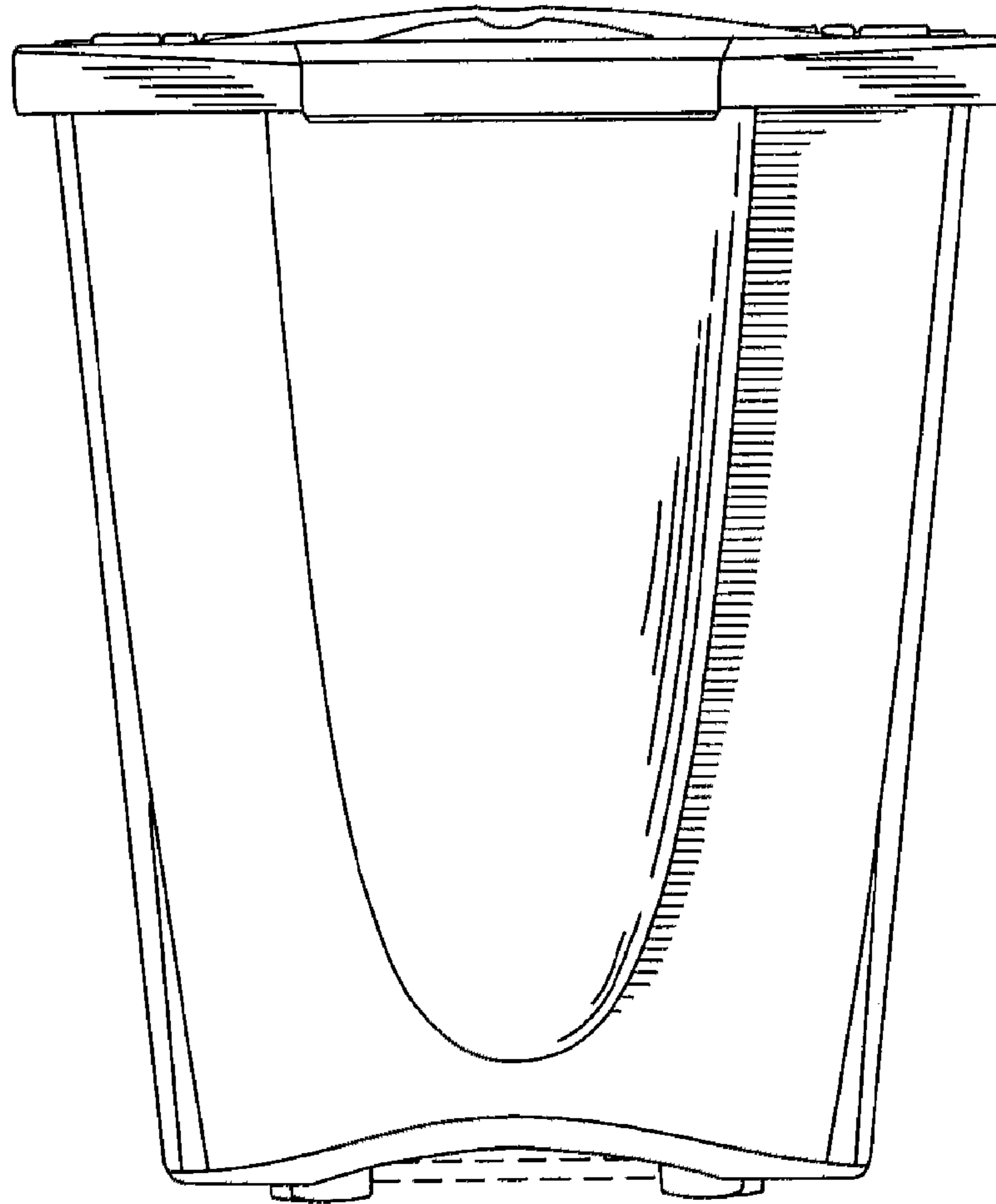


Figure 2

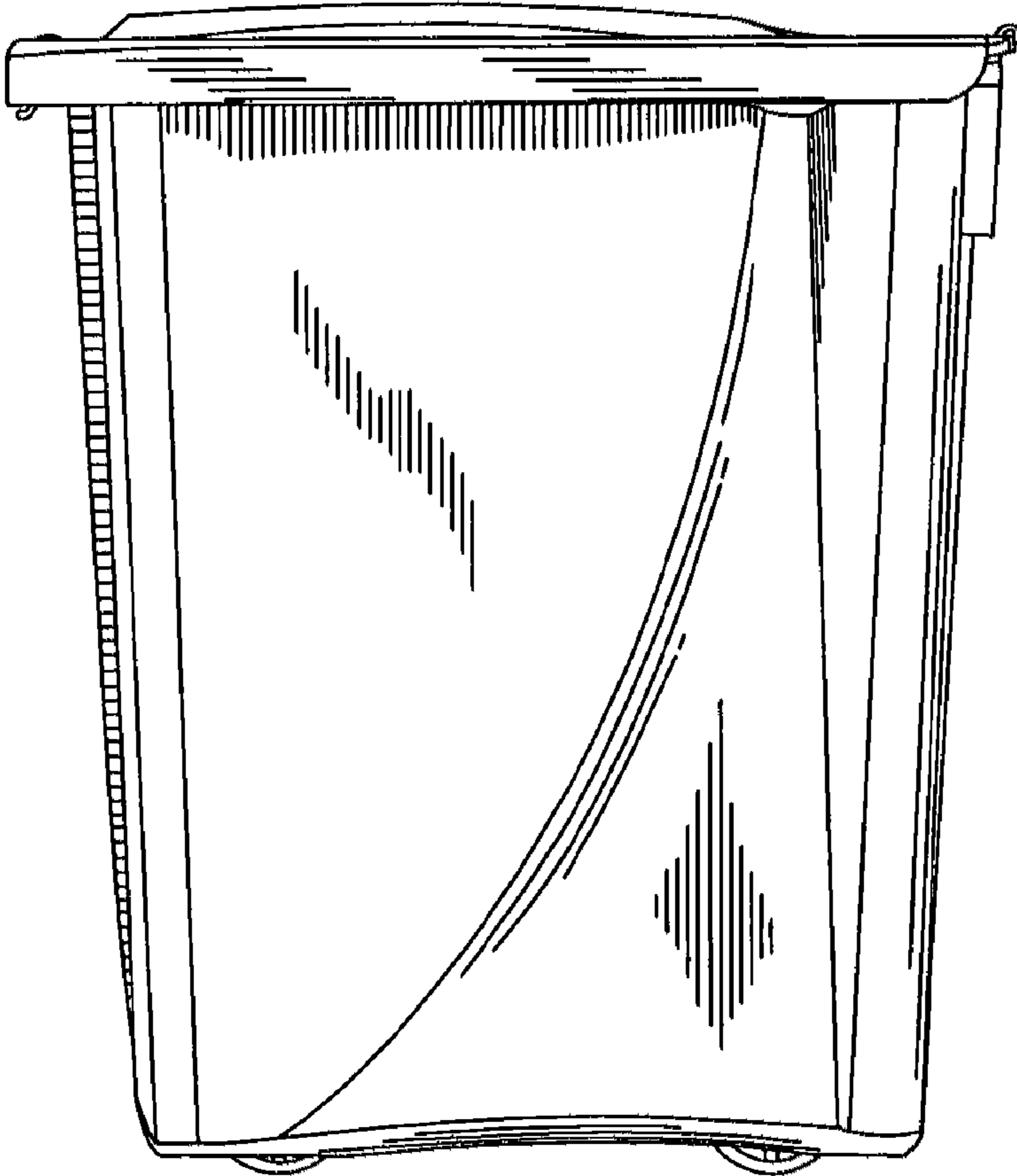


Figure 3

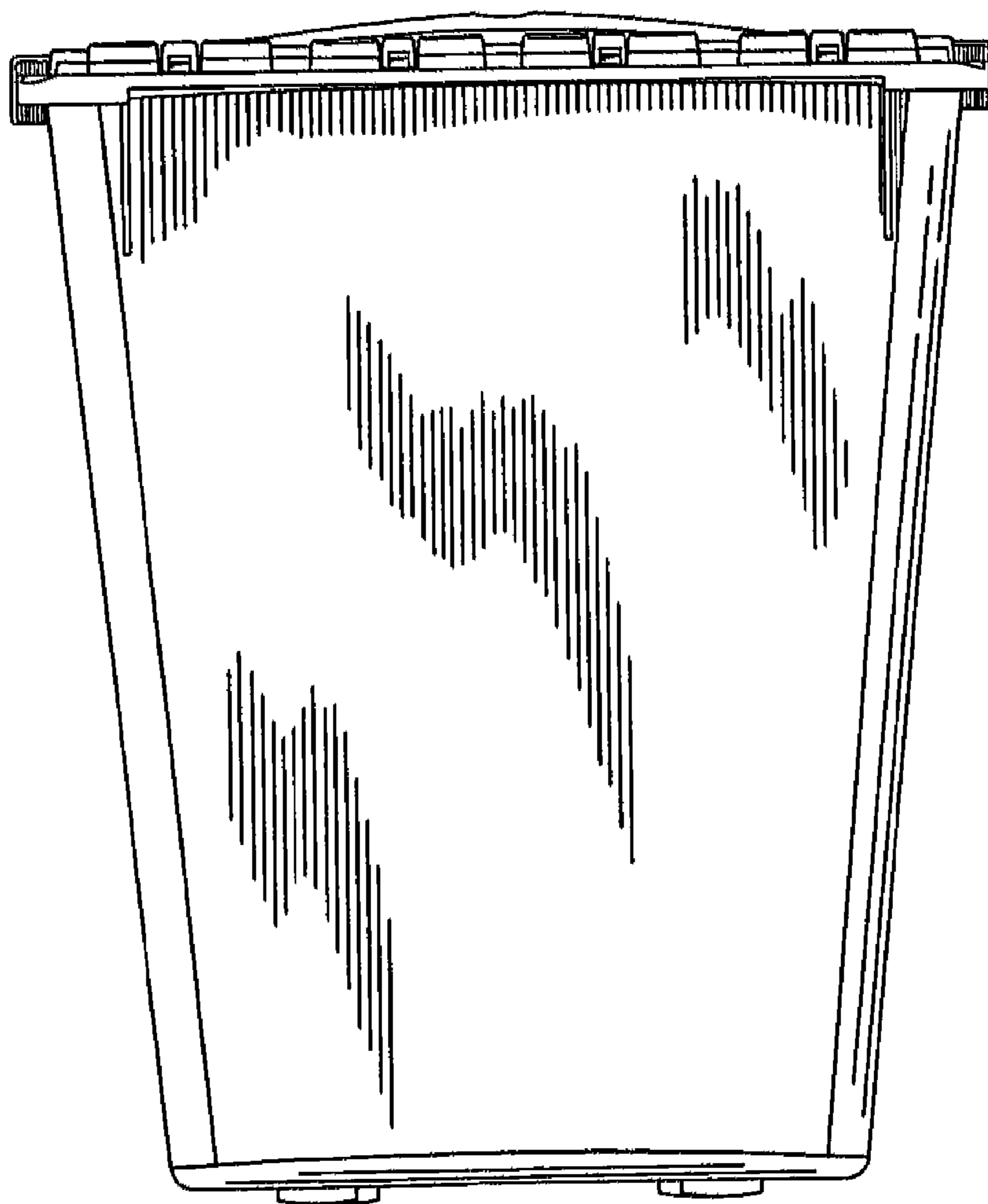


Figure 4

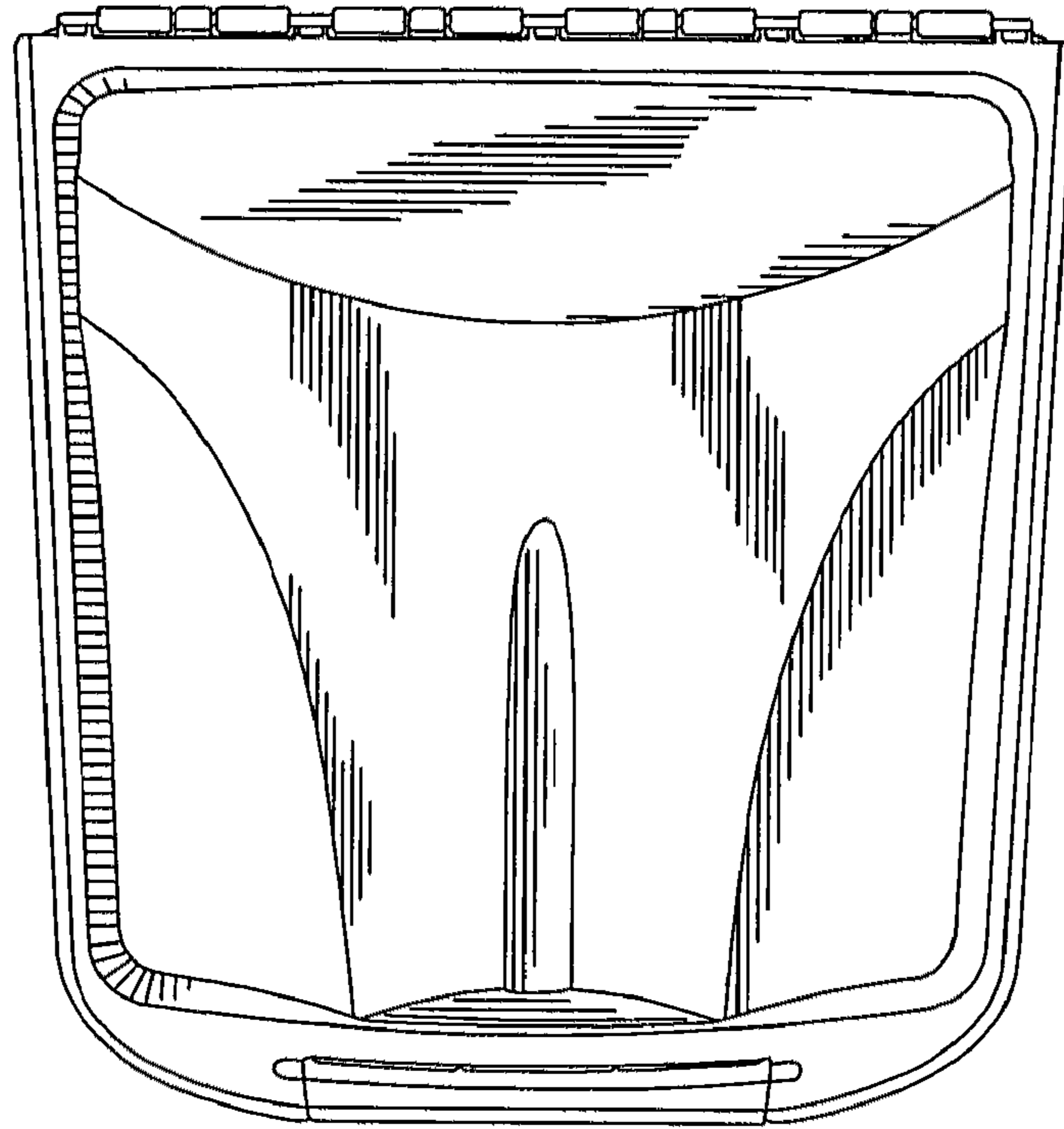


Figure 5

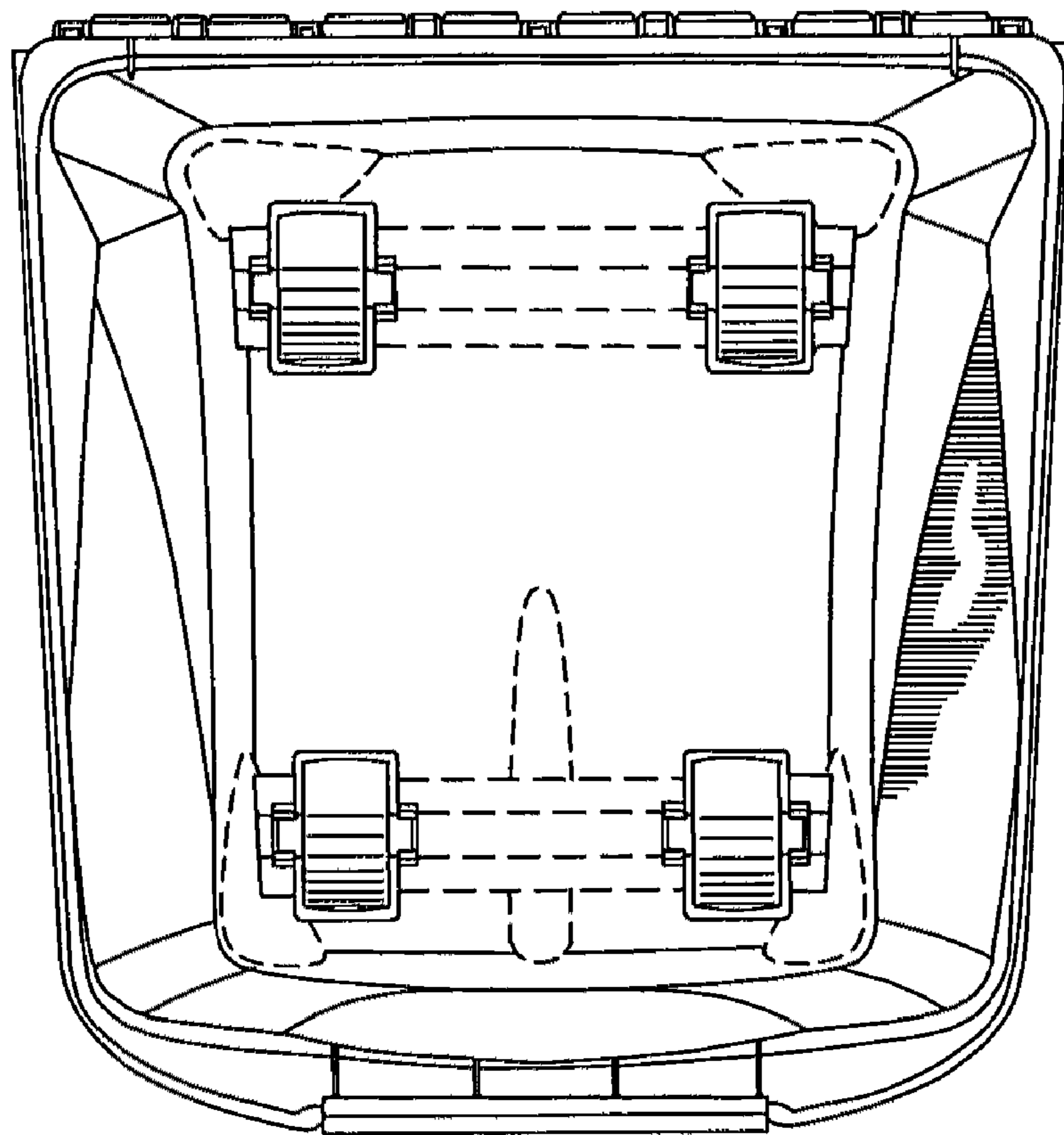


Figure 6

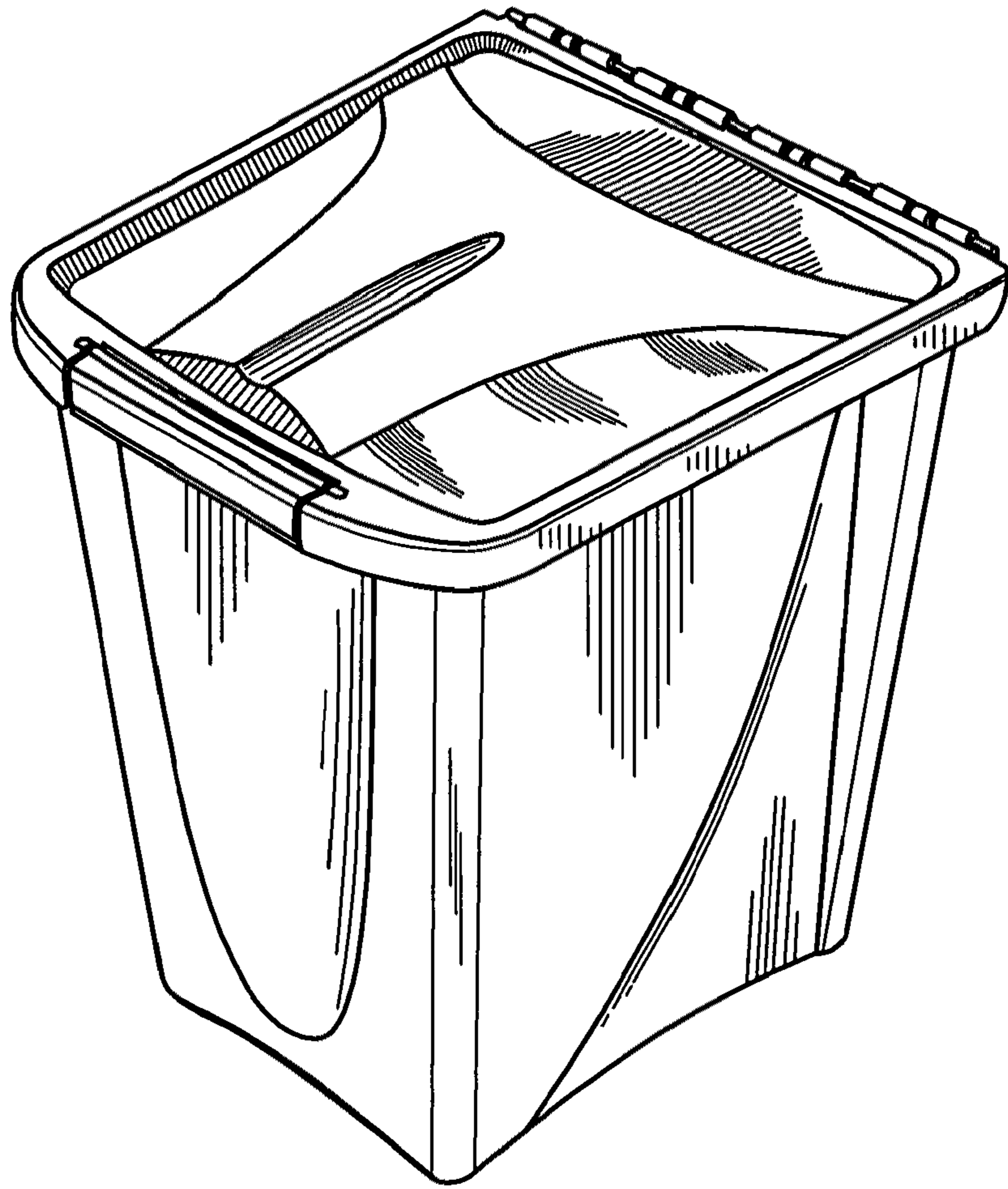
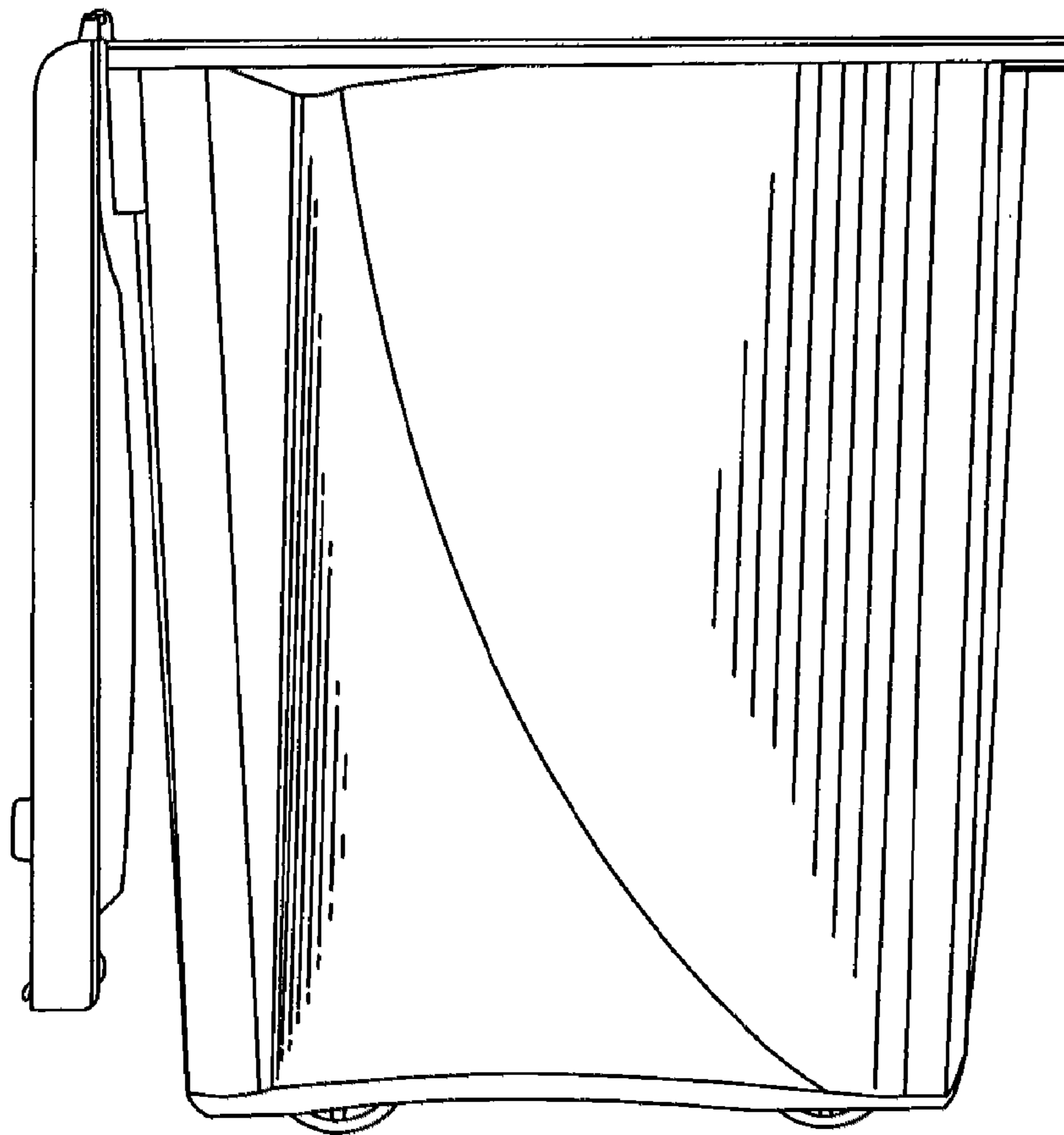


Figure 7

Figure 8



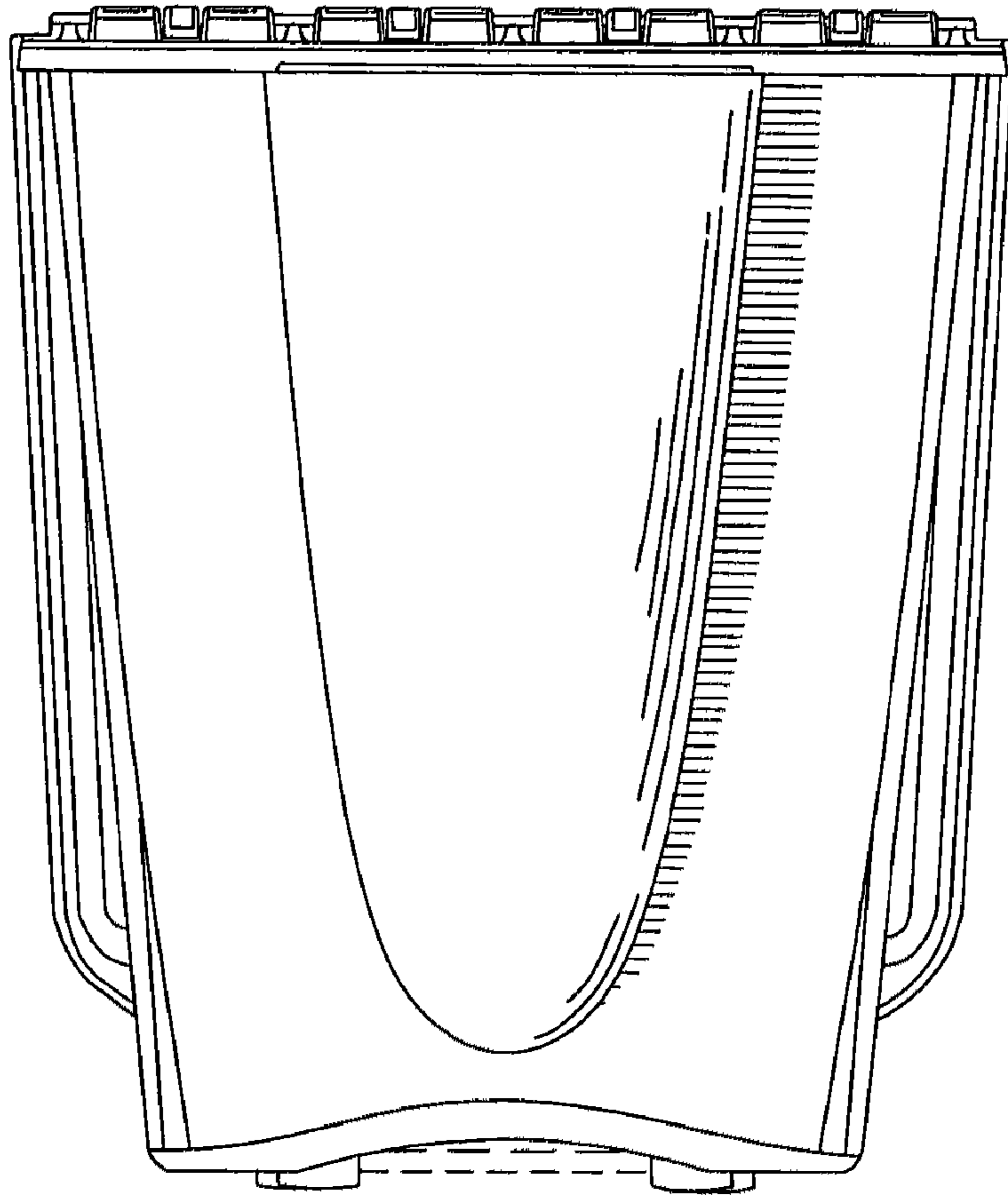


Figure 9

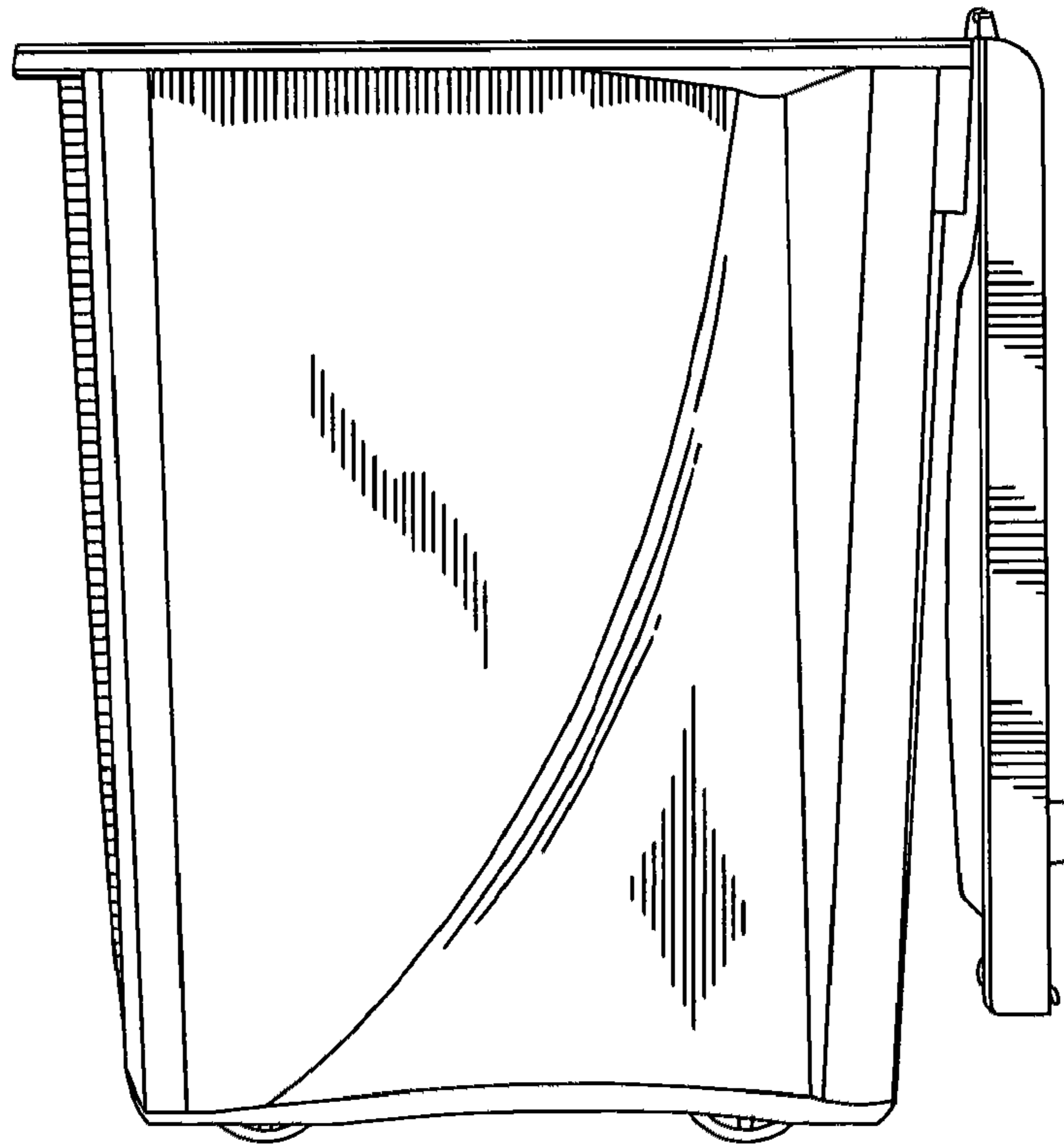


Figure 10

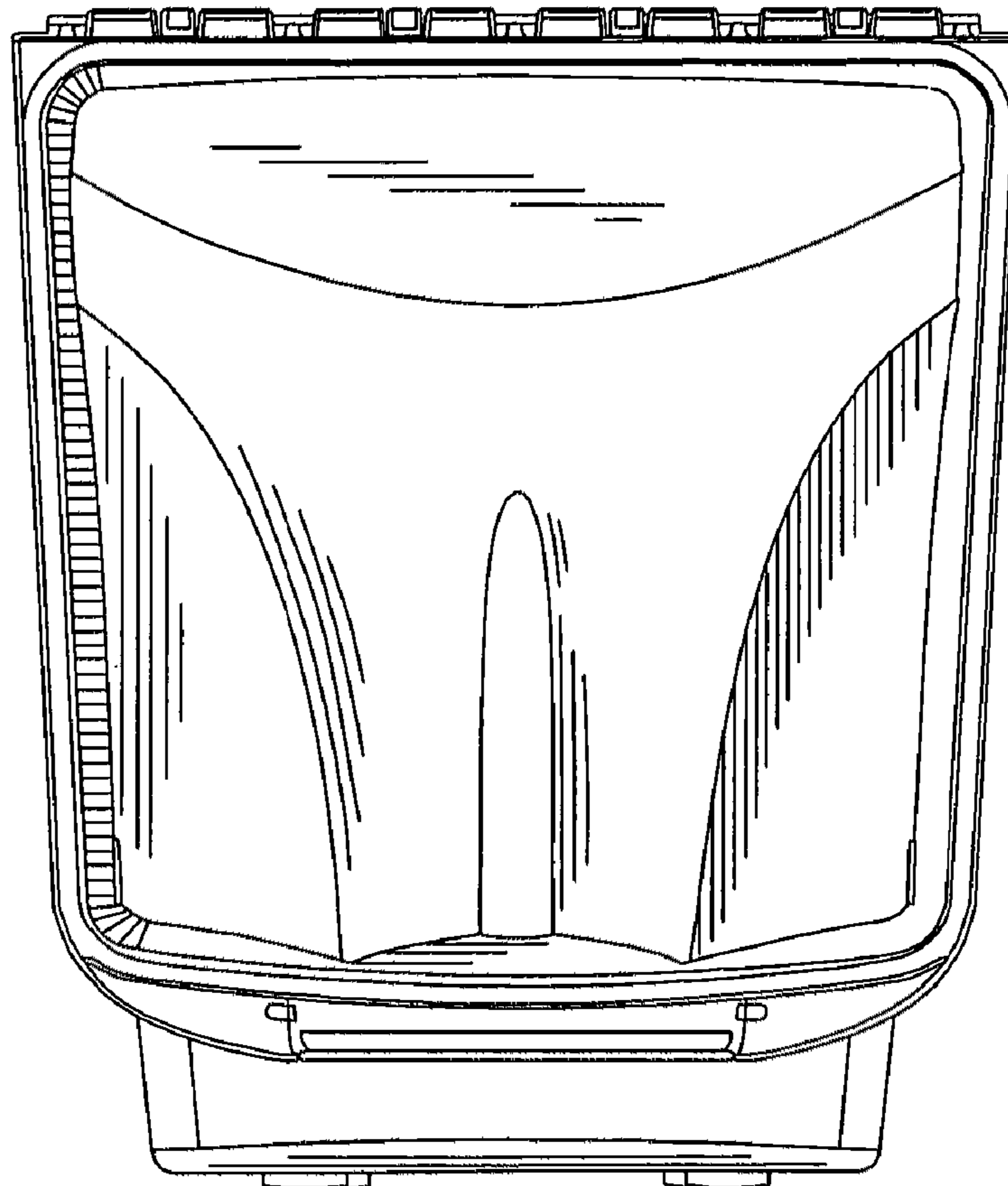


Figure 11

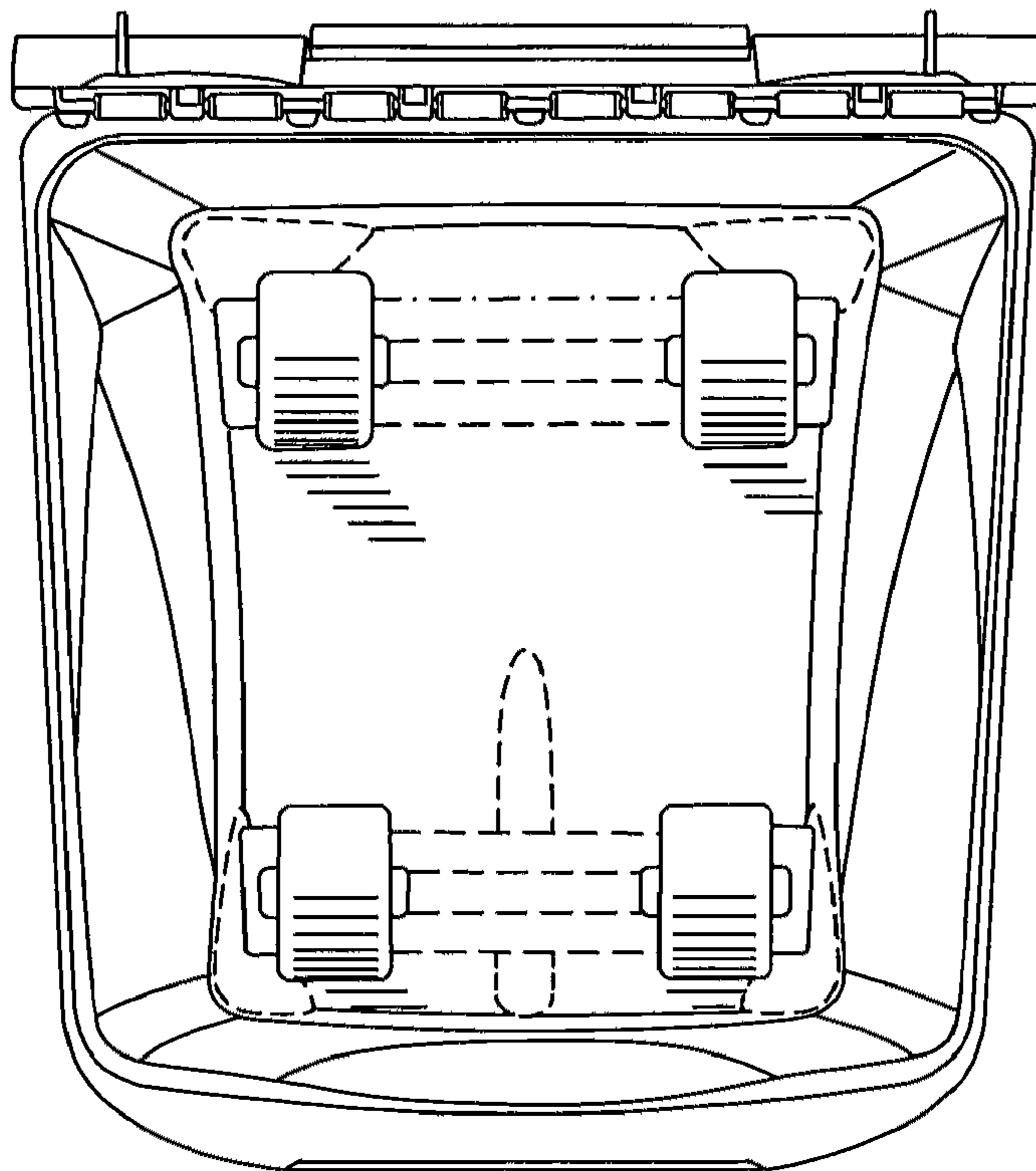


Figure 12

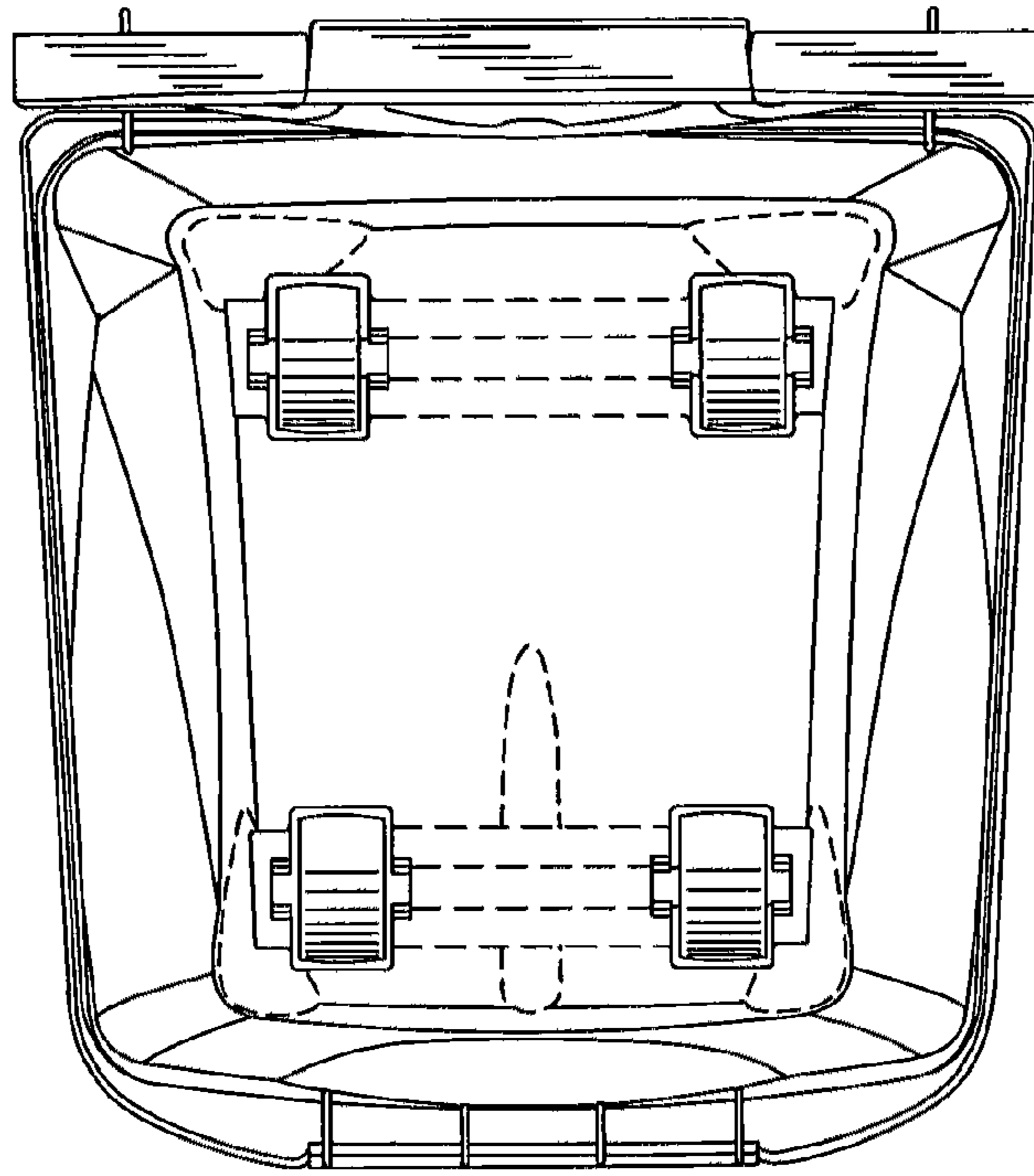


Figure 13

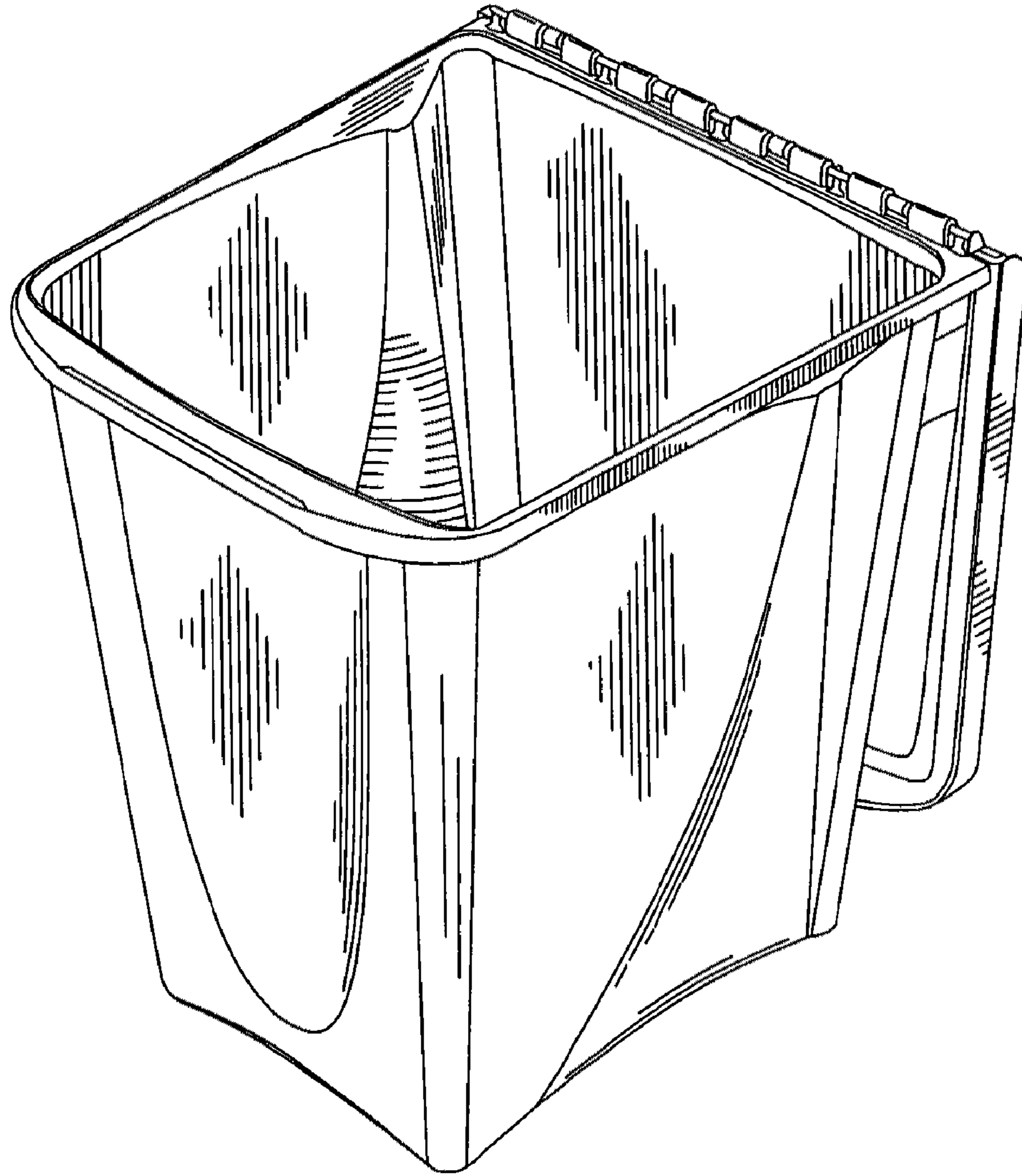


Figure 14