



US00D677891S

(12) **United States Design Patent**
Janus

(10) **Patent No.:** **US D677,891 S**
(45) **Date of Patent:** **** Mar. 19, 2013**

(54) **TABLET COMPUTER CASE WITH STRAP**

2008/0085025 A1* 4/2008 Findley 206/320

(75) Inventor: **Joseph Janus**, New York, NY (US)

* cited by examiner

(73) Assignee: **JenUSA Inc.**, New York, NY (US)

Primary Examiner — Jennifer Rivard

(**) Term: **14 Years**

(74) *Attorney, Agent, or Firm* — Venable LLP; Keith G. Haddaway

(21) Appl. No.: **29/396,826**

(57) **CLAIM**

The ornamental design for a tablet computer case with strap, as shown and described.

(22) Filed: **Jul. 7, 2011**

DESCRIPTION

(51) **LOC (9) Cl.** **03-01**

(52) **U.S. Cl.** **D3/289; D3/900**

(58) **Field of Classification Search** D3/273,
D3/276, 289, 290, 288, 300, 301, 303, 900,
D3/232, 242, 243–246; 190/100, 124–127,
190/900–903; 206/320; 383/97

See application file for complete search history.

FIG. 1 is a perspective view of a tablet computer case with strap according to the present invention.

FIG. 2 is a front view of a tablet computer case with strap according to the present invention.

FIG. 3 is a back view of a tablet computer case with strap according to the present invention.

FIG. 4 left side view of a tablet computer case with strap according to the present invention.

FIG. 5 is a right side view of a tablet computer case with strap according to the present invention.

FIG. 6 is a top view of a tablet computer case with strap according to the present invention; and,

FIG. 7 is a bottom view of a tablet computer case with strap according to the present invention.

The broken lines shown in the drawings illustrate portions of the article and form no part of the claimed design.

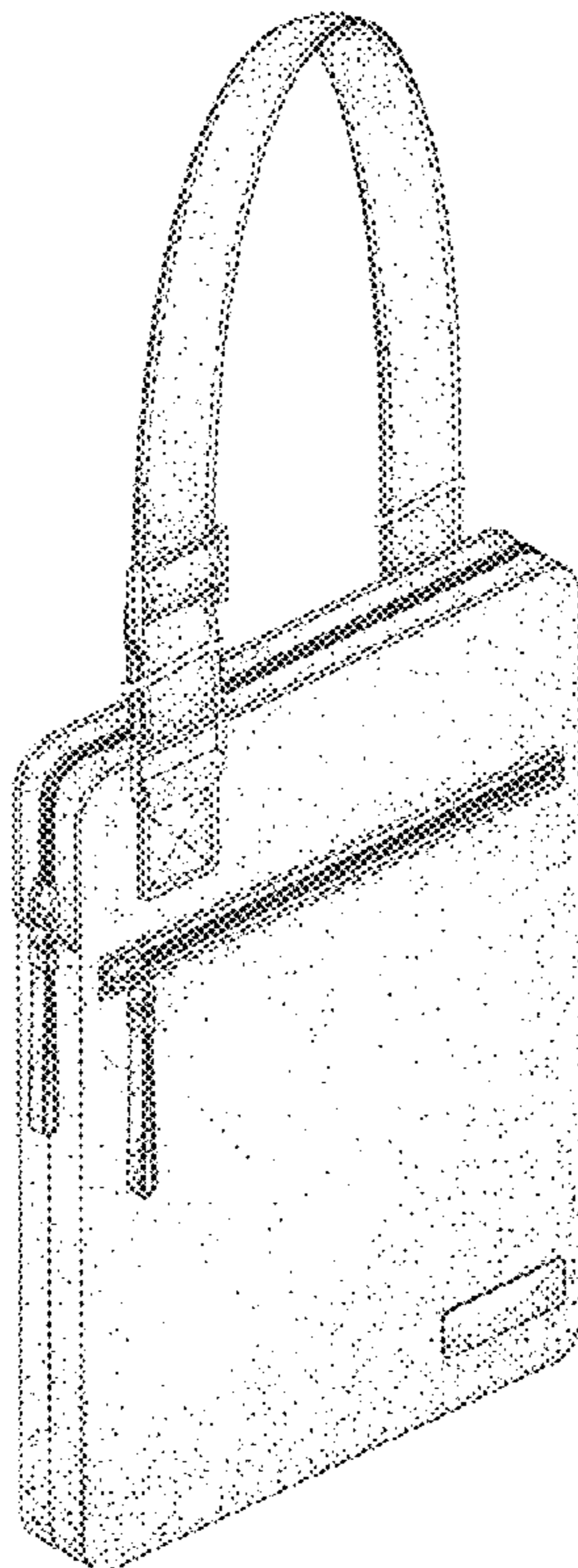
The strap of the claimed design is shown broken away and indicates no particular length.

(56) **References Cited**

U.S. PATENT DOCUMENTS

D260,324 S *	8/1981	Koves	D3/287
D469,605 S *	2/2003	Vernon et al.	D3/287
D478,420 S *	8/2003	Li	D3/287
D603,162 S *	11/2009	Simonian et al.	D3/276
D628,382 S *	12/2010	Niehaus et al.	D3/276
D631,650 S *	2/2011	Li	D3/218
D631,661 S *	2/2011	Niehaus et al.	D3/276
D665,996 S *	8/2012	Holbrook	D3/276
D666,815 S *	9/2012	Janus	D3/274

1 Claim, 5 Drawing Sheets



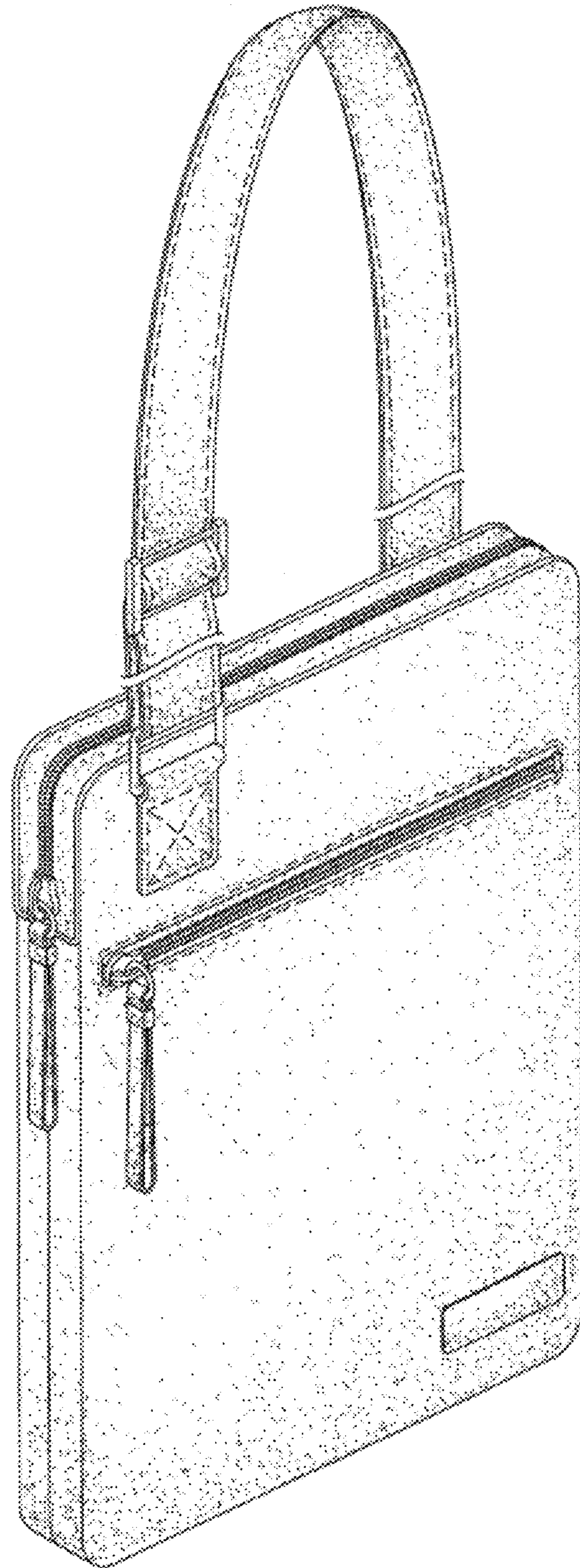


FIG. 1

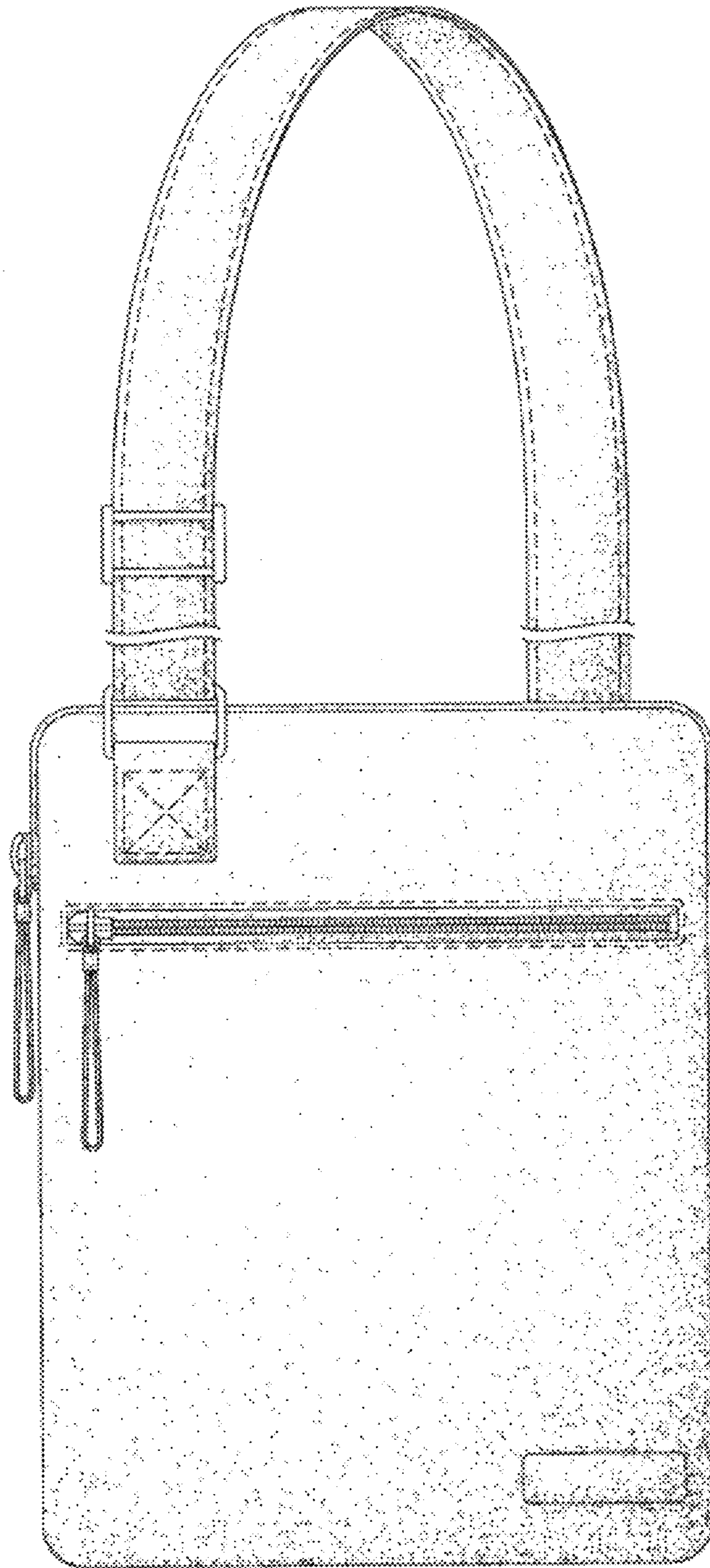


FIG. 2

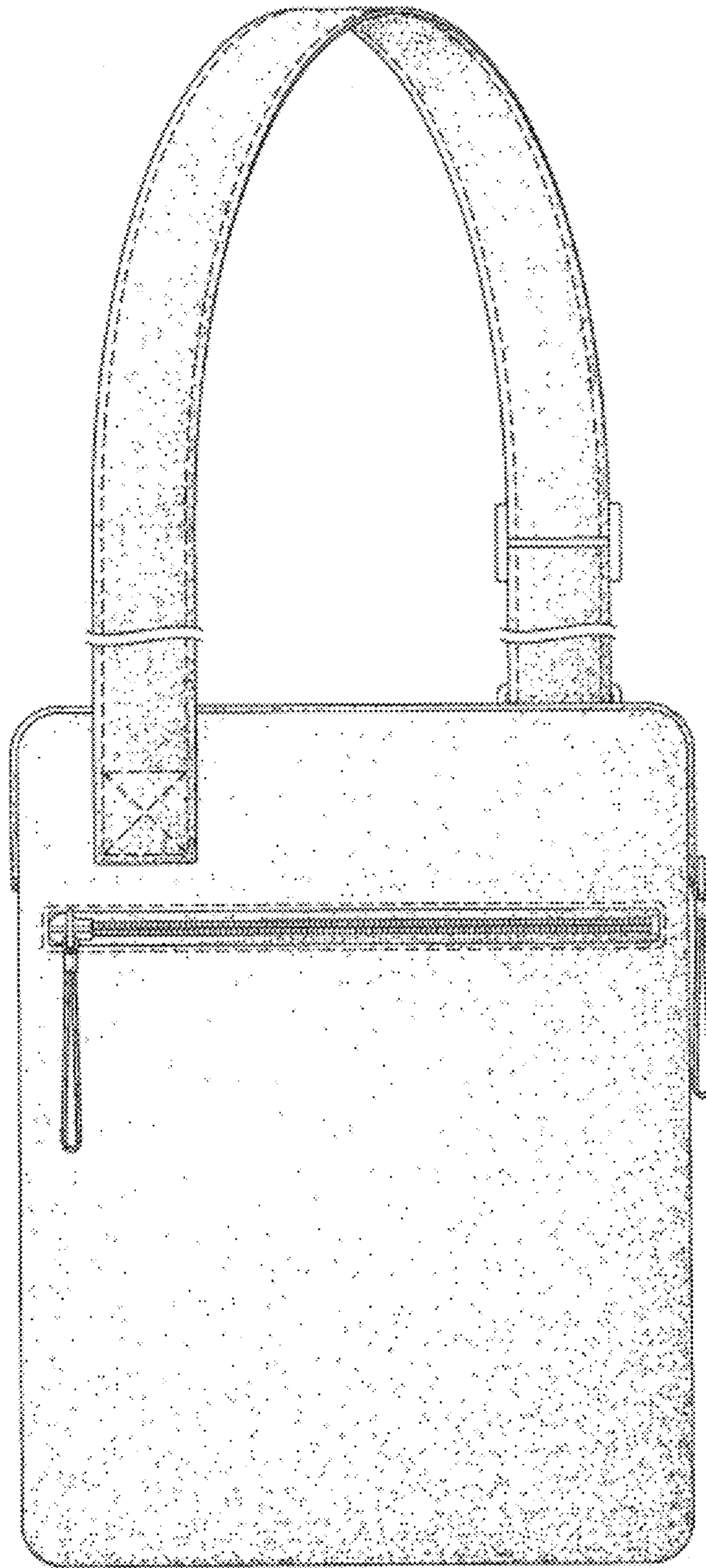


FIG. 3

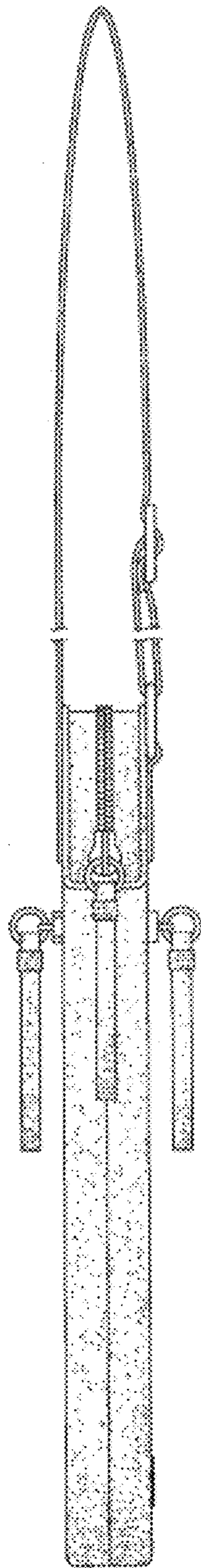


FIG. 4

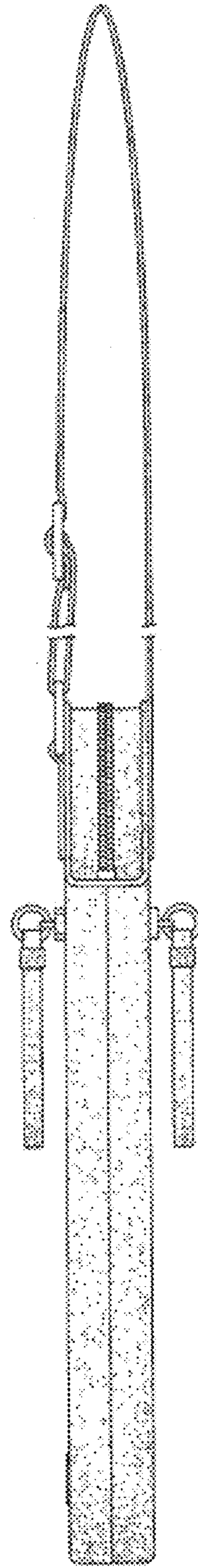


FIG. 5

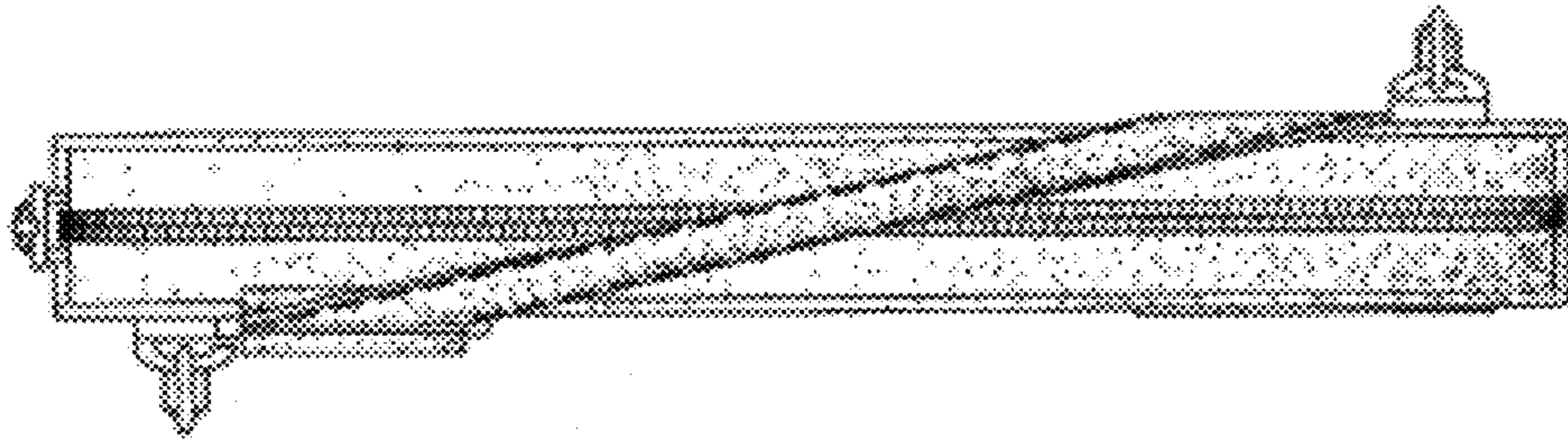


FIG. 6

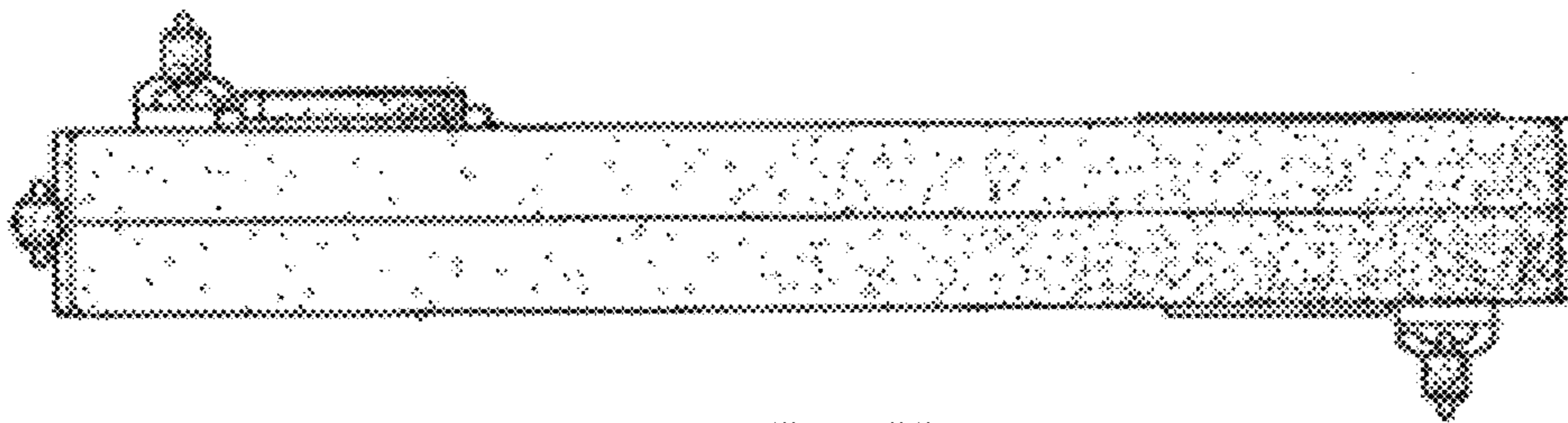


FIG. 7