



US00D677889S

(12) **United States Design Patent**
Shyr

(10) **Patent No.:** **US D677,889 S**

(45) **Date of Patent:** **** Mar. 19, 2013**

(54) **GOLF BAG**

(76) Inventor: **Michael Shyr**, Hacienda Heights, CA
(US)

(**) Term: **14 Years**

(21) Appl. No.: **29/411,085**

(22) Filed: **Jan. 17, 2012**

(51) **LOC (9) Cl.** **03-01**

(52) **U.S. Cl.** **D3/271.9**

(58) **Field of Classification Search** D3/271.9,
D3/289, 216, 217, 221, 234, 238, 257, 270,
D3/271.1, 301, 901, 904, 905, 276; D7/901;
190/100, 110, 111, 112, 115, 903; 206/457
See application file for complete search history.

(56) **References Cited**

U.S. PATENT DOCUMENTS

1,734,587	A	*	11/1929	Lowe	206/8
2,490,222	A	*	12/1949	Lowe	190/119
2,745,524	A	*	5/1956	Plotkin	190/115
D333,039	S	*	2/1993	Wells et al.	D3/289
D351,320	S	*	10/1994	Minor	D7/606
D363,817	S	*	11/1995	Beckwith	D3/254
D414,082	S	*	9/1999	Keene	D7/607

D432,344	S	*	10/2000	Eskandry	D6/632
D453,625	S	*	2/2002	Mogil	D3/301
D480,211	S	*	10/2003	Wolf	D3/294
D527,521	S	*	9/2006	Sijmons	D3/289
D529,286	S	*	10/2006	Limber	D3/269
D539,034	S	*	3/2007	Friedman	D3/271.9
D547,543	S	*	7/2007	Dunn	D3/21
D547,948	S	*	8/2007	Friedman	D3/271.9
D641,163	S	*	7/2011	Houston et al.	D3/289

* cited by examiner

Primary Examiner — Cynthia Ramirez

(74) *Attorney, Agent, or Firm* — Clement Cheng

(57) **CLAIM**

The ornamental design for a golf bag, as shown and described.

DESCRIPTION

FIG. 1 is a perspective view.

FIG. 2 is a front view.

FIG. 3 is a rear view.

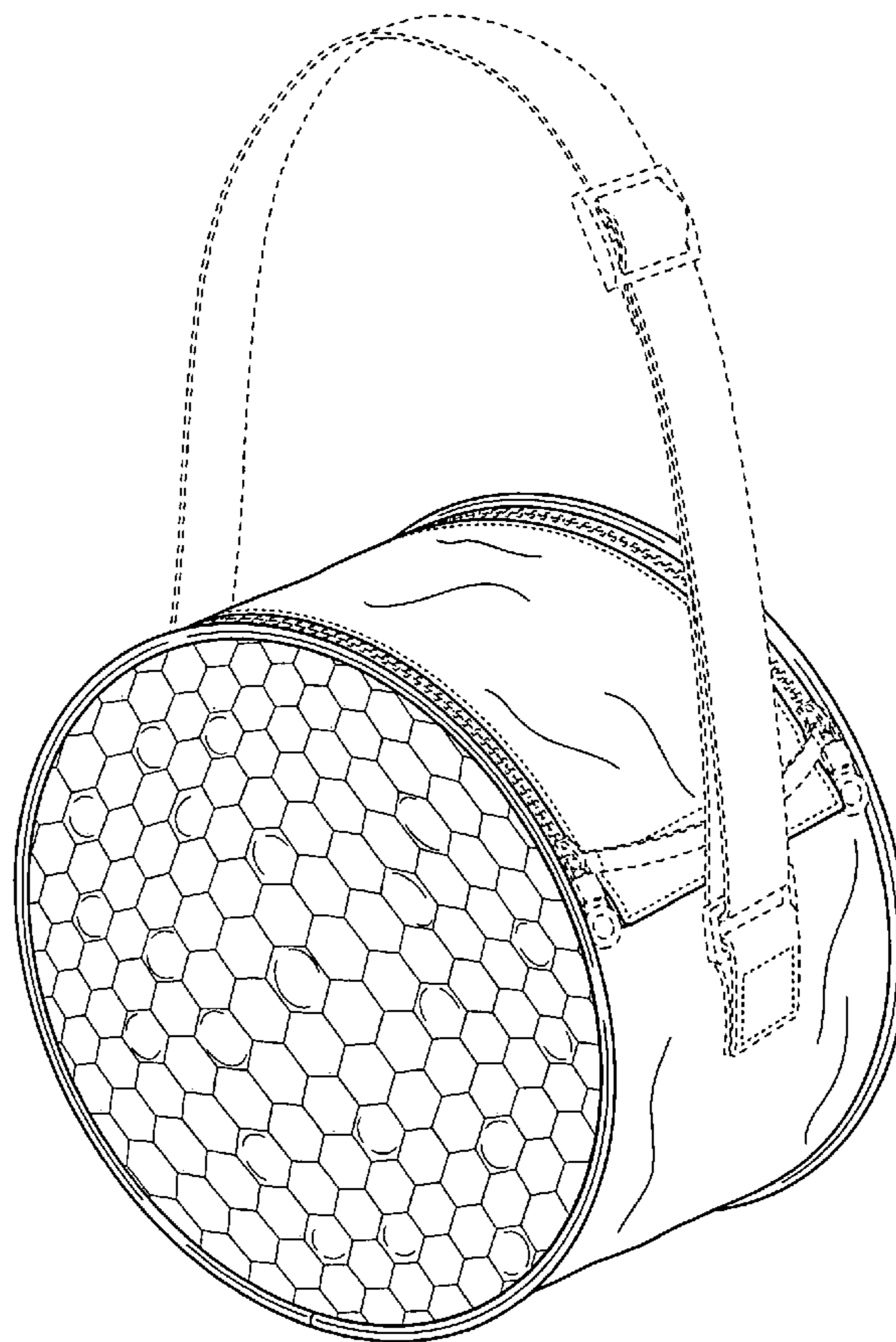
FIG. 4 is a left side view.

FIG. 5 is a right side view.

FIG. 6 is a top view; and,

FIG. 7 is a bottom view.

1 Claim, 4 Drawing Sheets



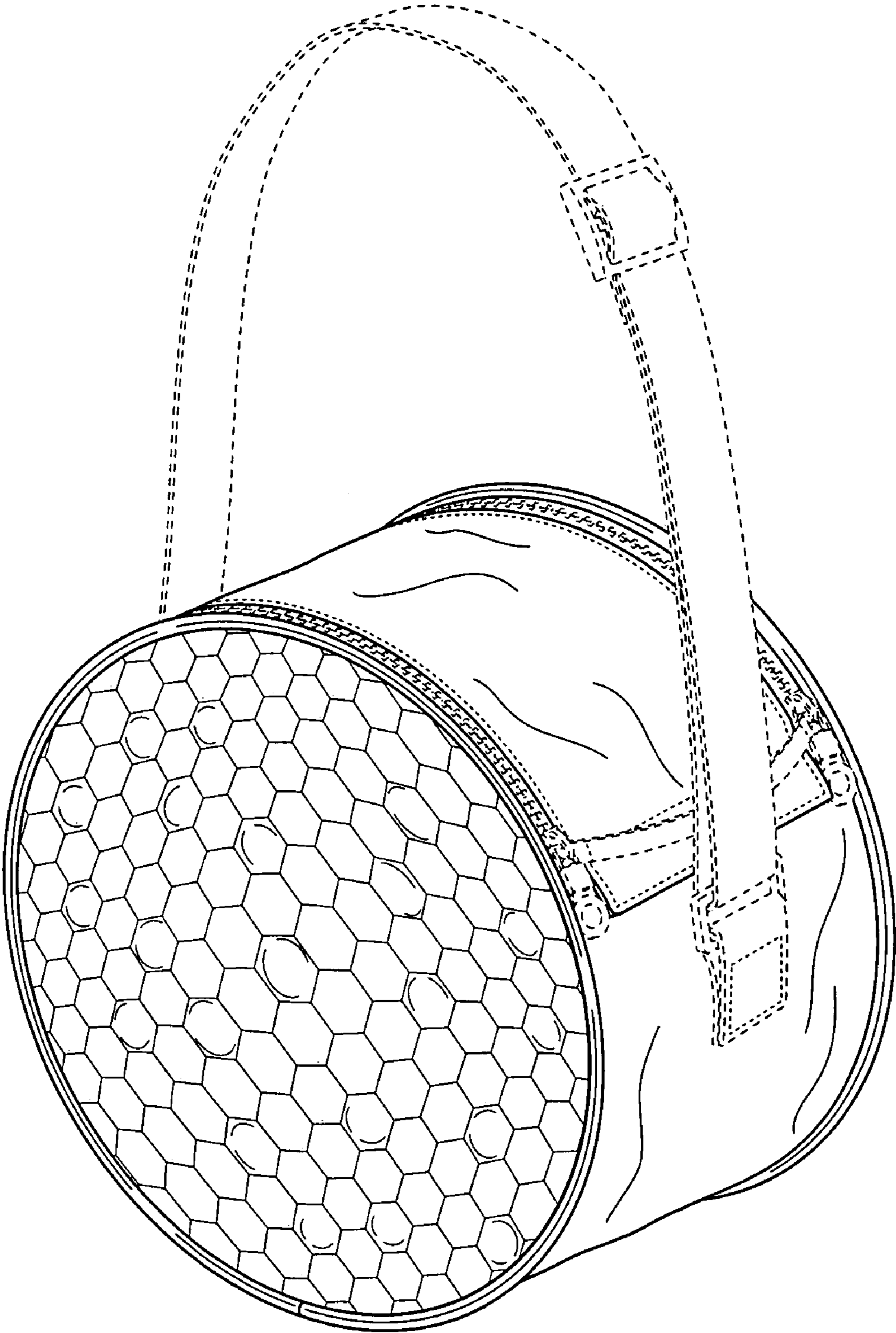


FIG. 1

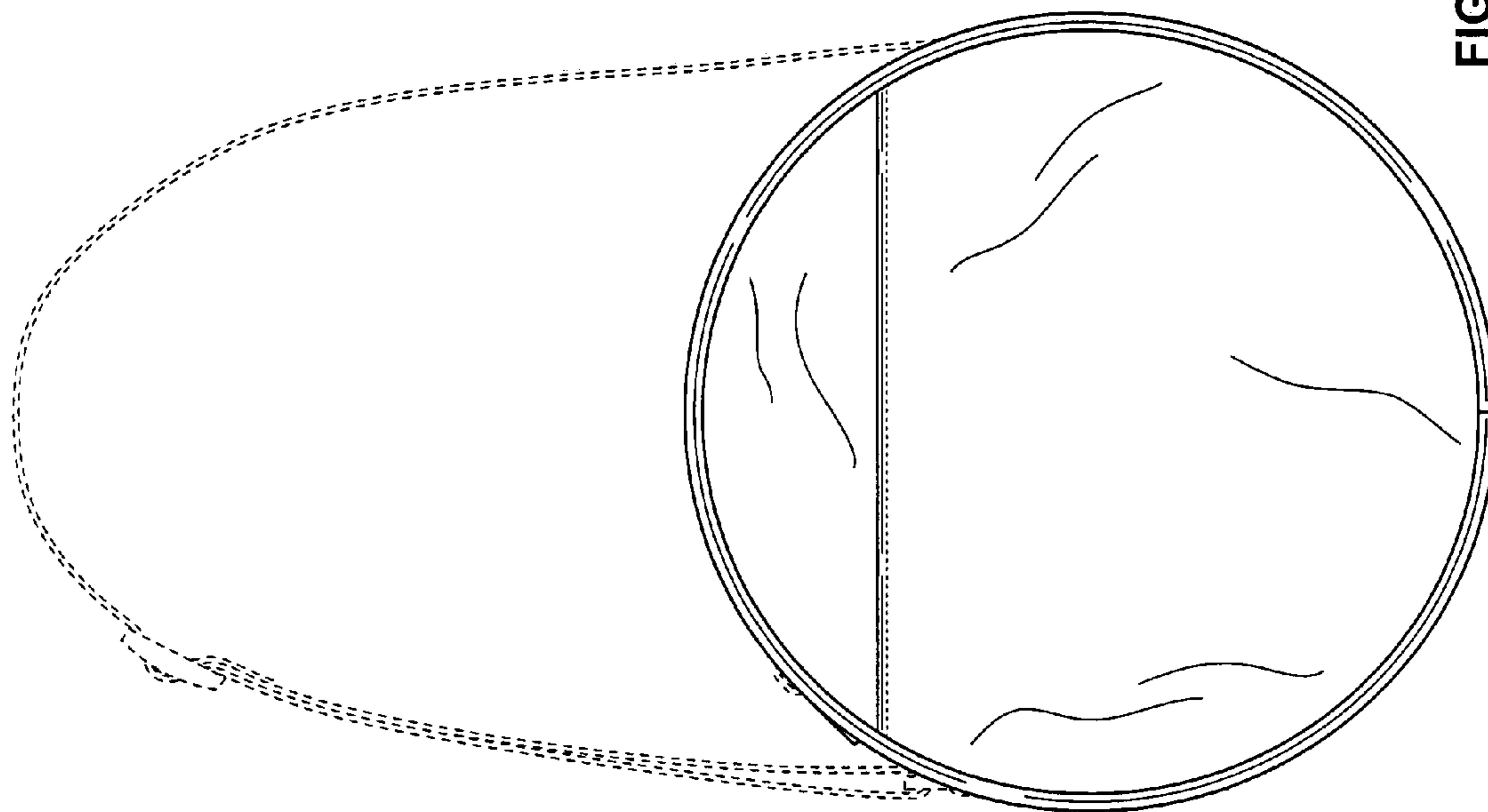


FIG. 3

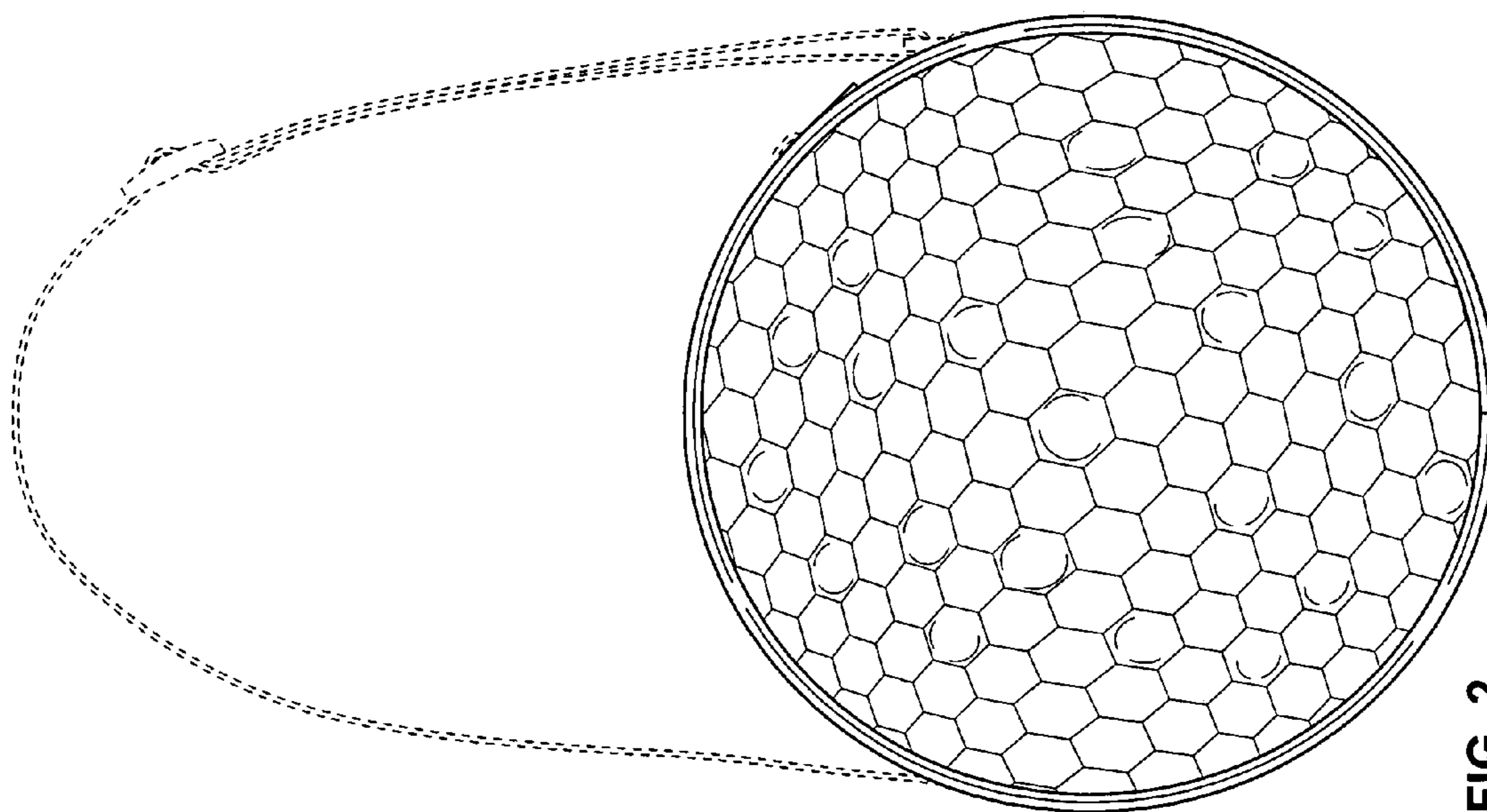


FIG. 2

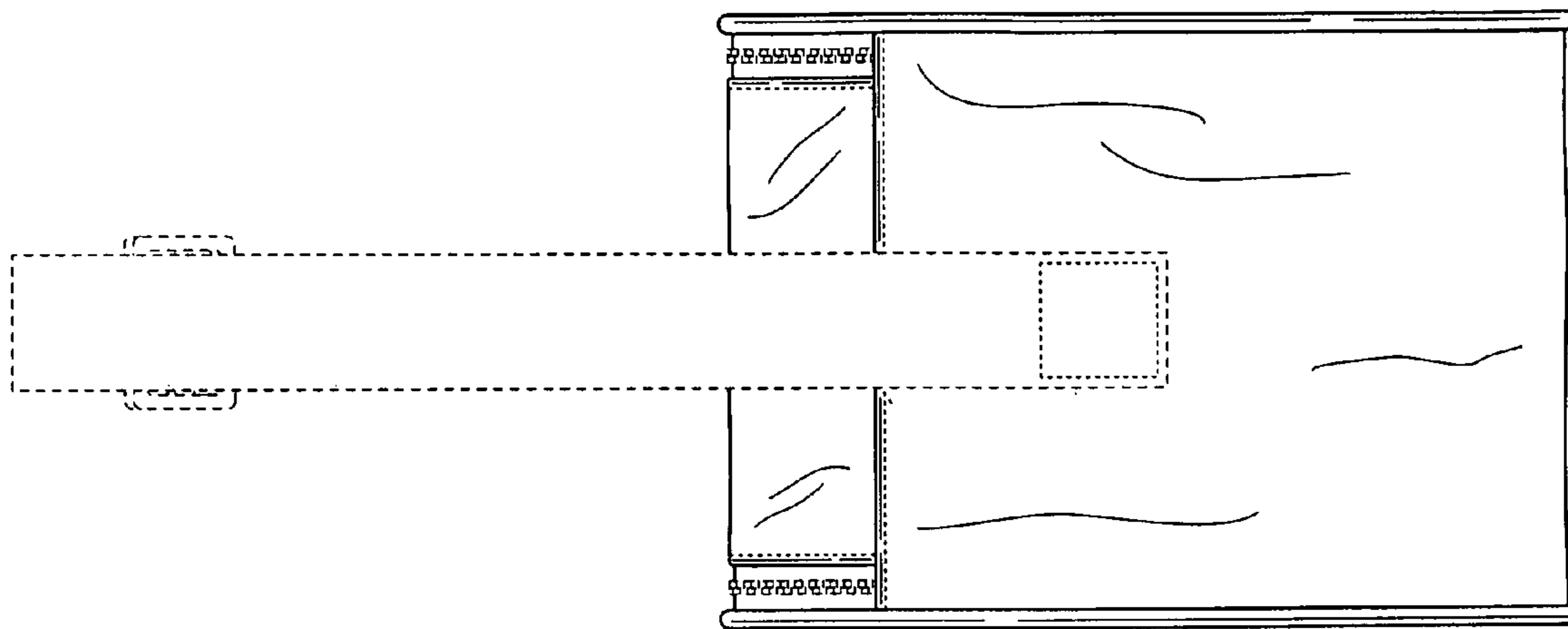


FIG. 5

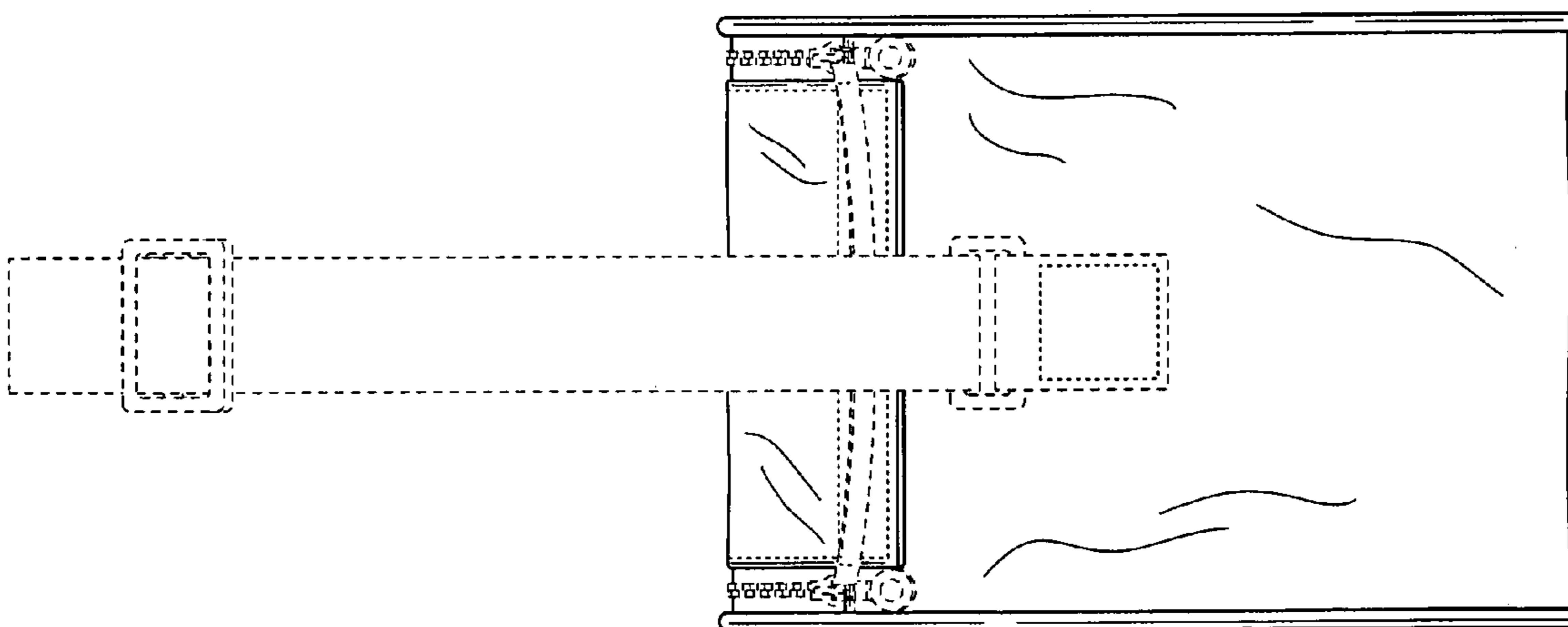


FIG. 4

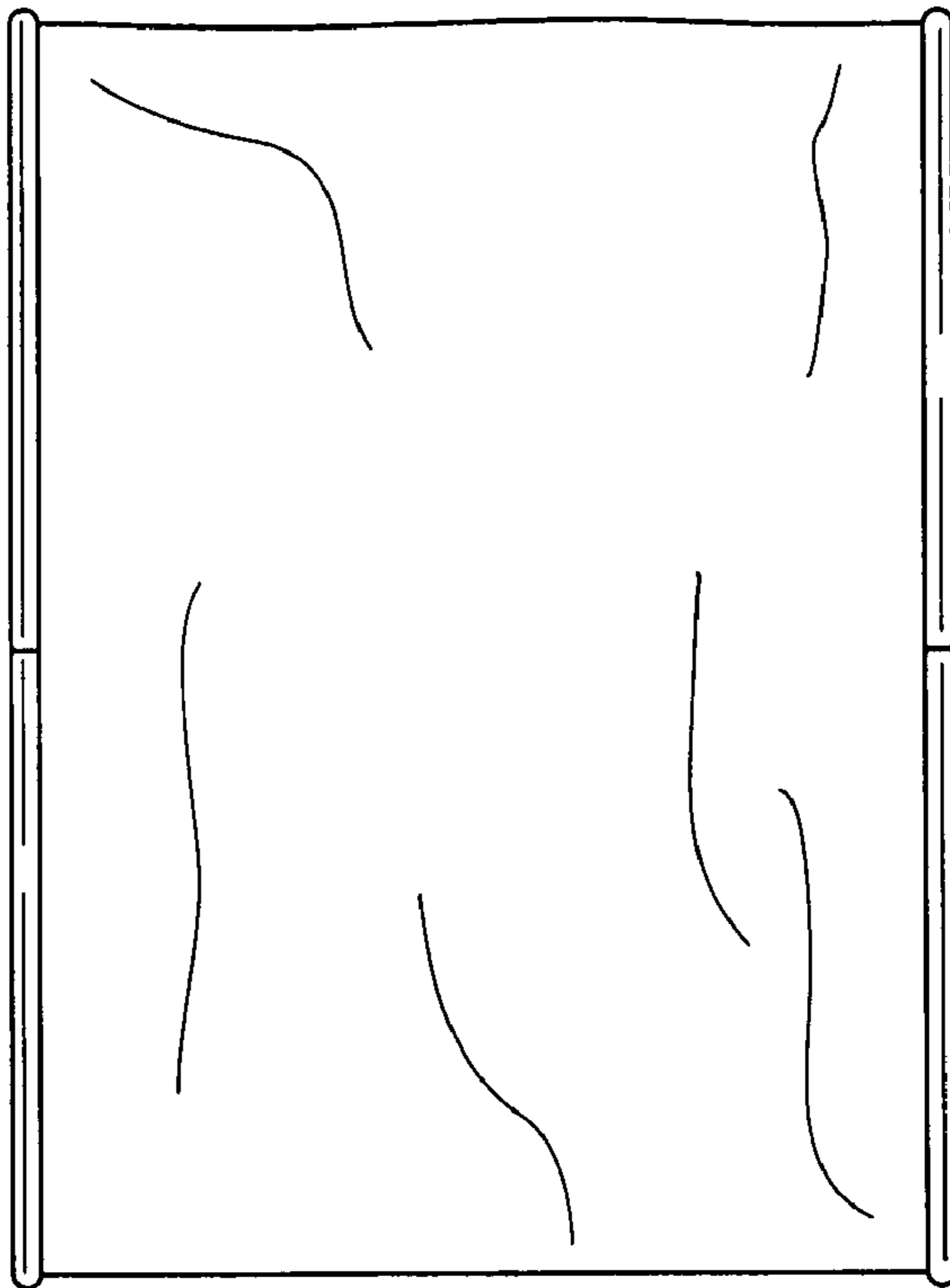


FIG. 7

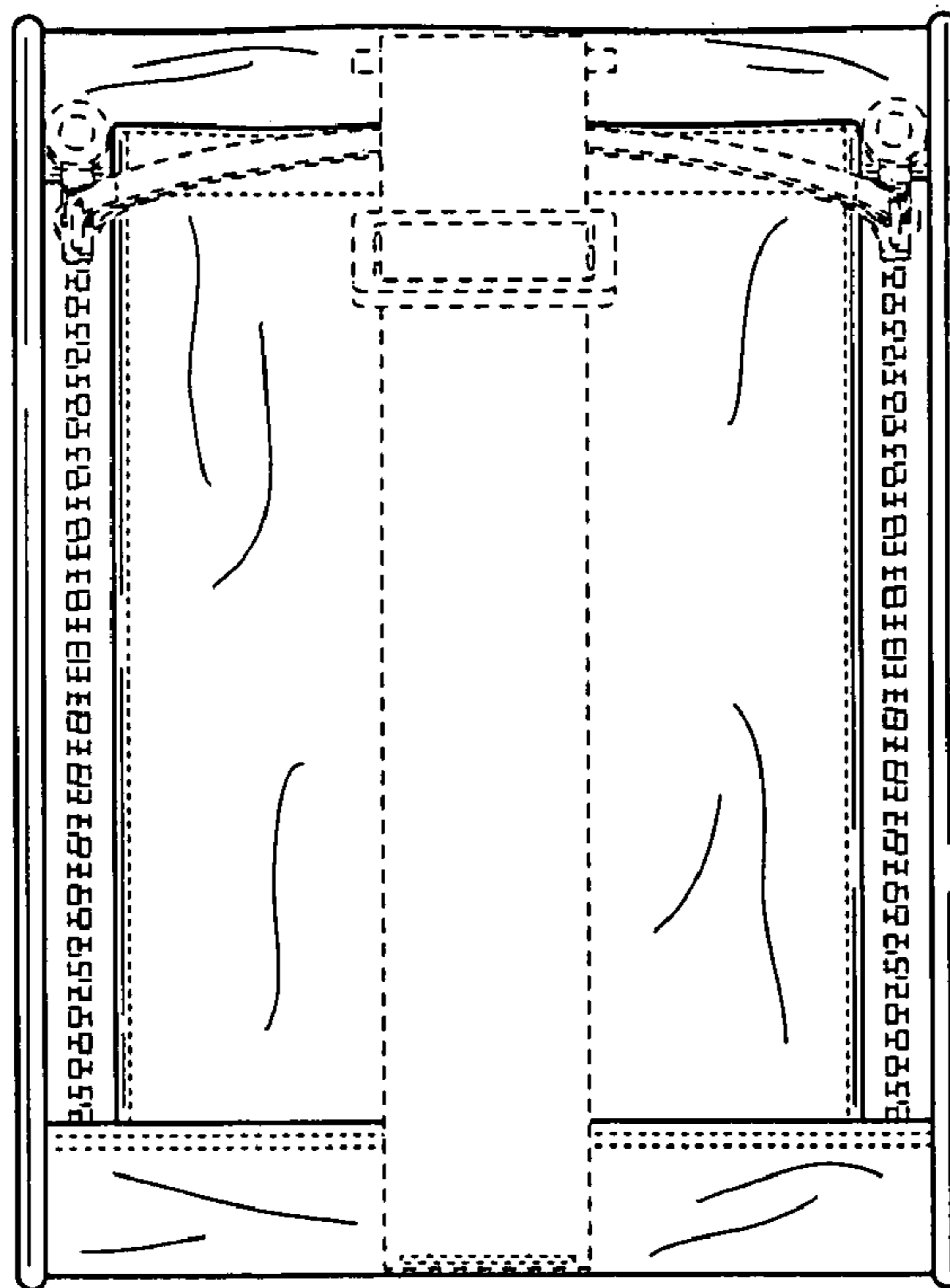


FIG. 6