



US00D677883S

(12) **United States Design Patent**
Brown

(10) **Patent No.:** **US D677,883 S**

(45) **Date of Patent:** **** Mar. 19, 2013**

(54) **POCKETBOOK PROTECTOR**

Primary Examiner — Holly Baynham

(76) **Inventor:** **Celeste Brown**, New York, NY (US)

(74) *Attorney, Agent, or Firm* — Richard M Lehrer

(**) **Term:** **14 Years**

(57) **CLAIM**

(21) **Appl. No.:** **29/408,084**

The ornamental design for a pocketbook protector, as shown and described.

(22) **Filed:** **Dec. 6, 2011**

(51) **LOC (9) Cl.** **03-01**

(52) **U.S. Cl.** **D3/233; D3/318**

(58) **Field of Classification Search** D3/232–233,
D3/240–246, 318; 150/100, 103–110, 117–119
See application file for complete search history.

DESCRIPTION

FIG. 1 is a perspective view of a pocketbook protector in accordance with the invention;
FIG. 2 is a front view thereof;
FIG. 3 is a rear view thereof;
FIG. 4 is a top view thereof;
FIG. 5 is a bottom view thereof;
FIG. 6 is a right side view thereof; and,
FIG. 7 is a left side view thereof.
The broken lines representing stitching are part of the claimed design.

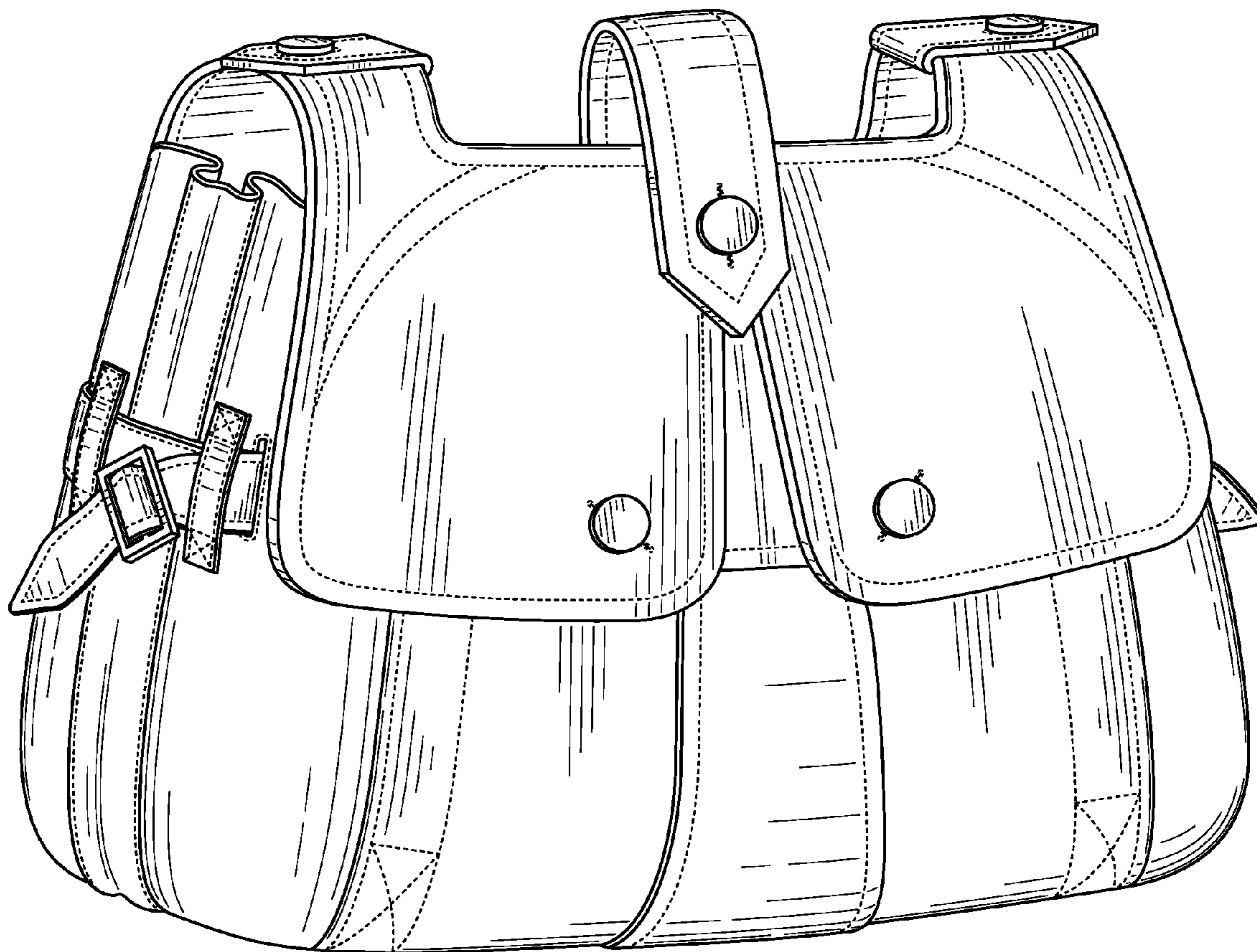
(56) **References Cited**

U.S. PATENT DOCUMENTS

D524,044	S *	7/2006	Higgins et al.	D3/242
D525,027	S *	7/2006	Higgins et al.	D3/242
2006/0157175	A1 *	7/2006	Pace et al.	150/105
2007/0209742	A1 *	9/2007	Morgan	150/105
2010/0128863	A1 *	5/2010	Krum et al.	379/207.02

* cited by examiner

1 Claim, 7 Drawing Sheets



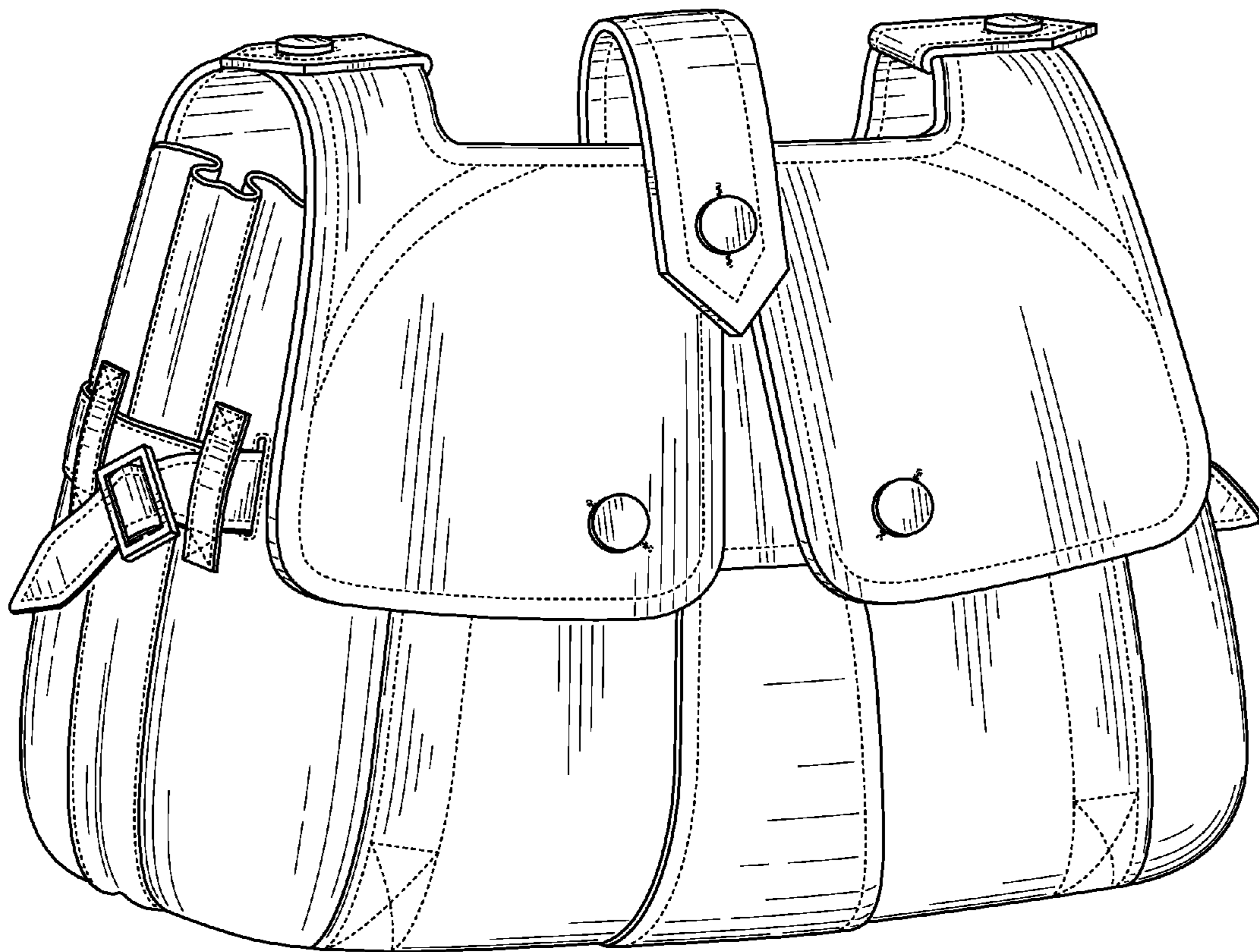


FIG. 1

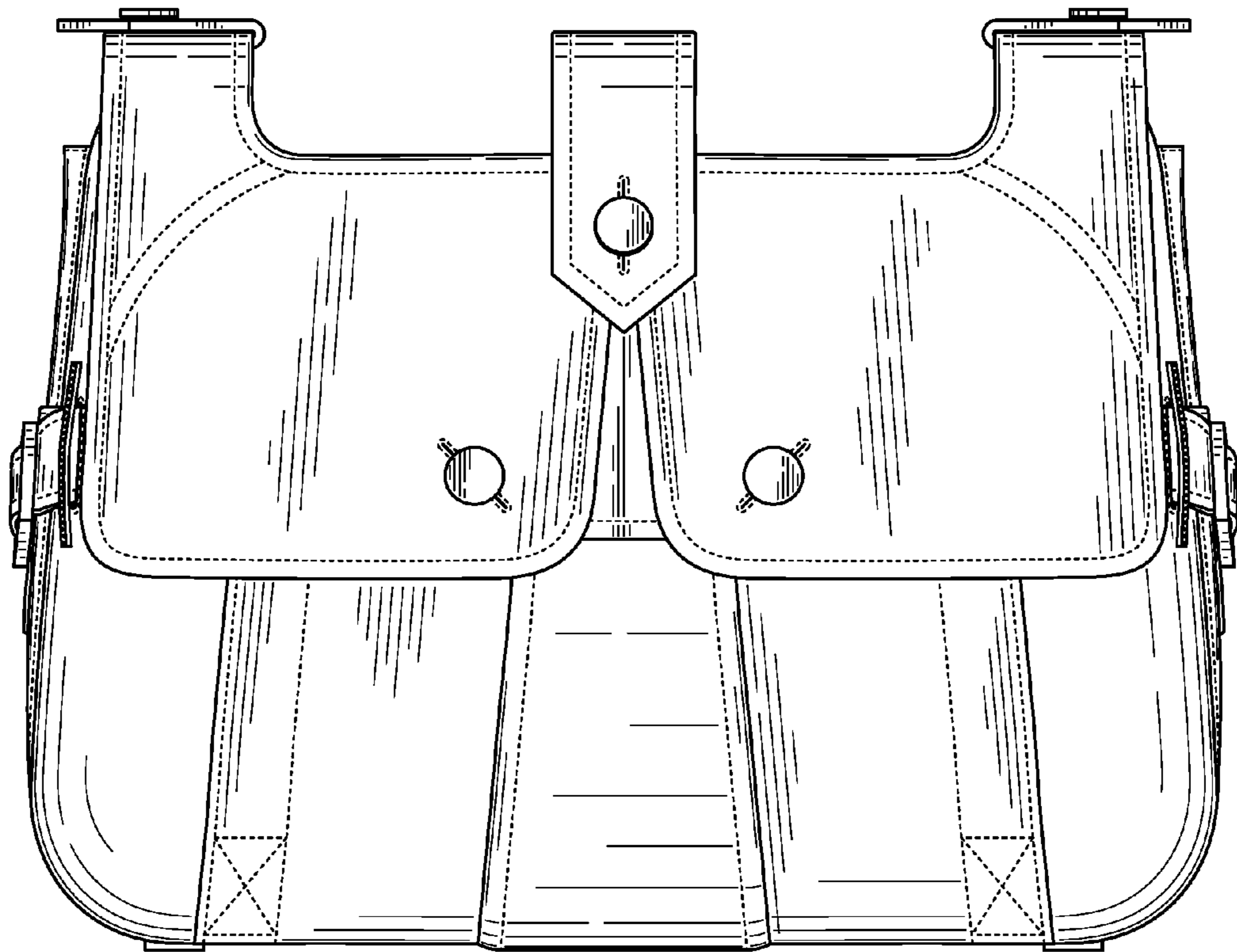


FIG. 2

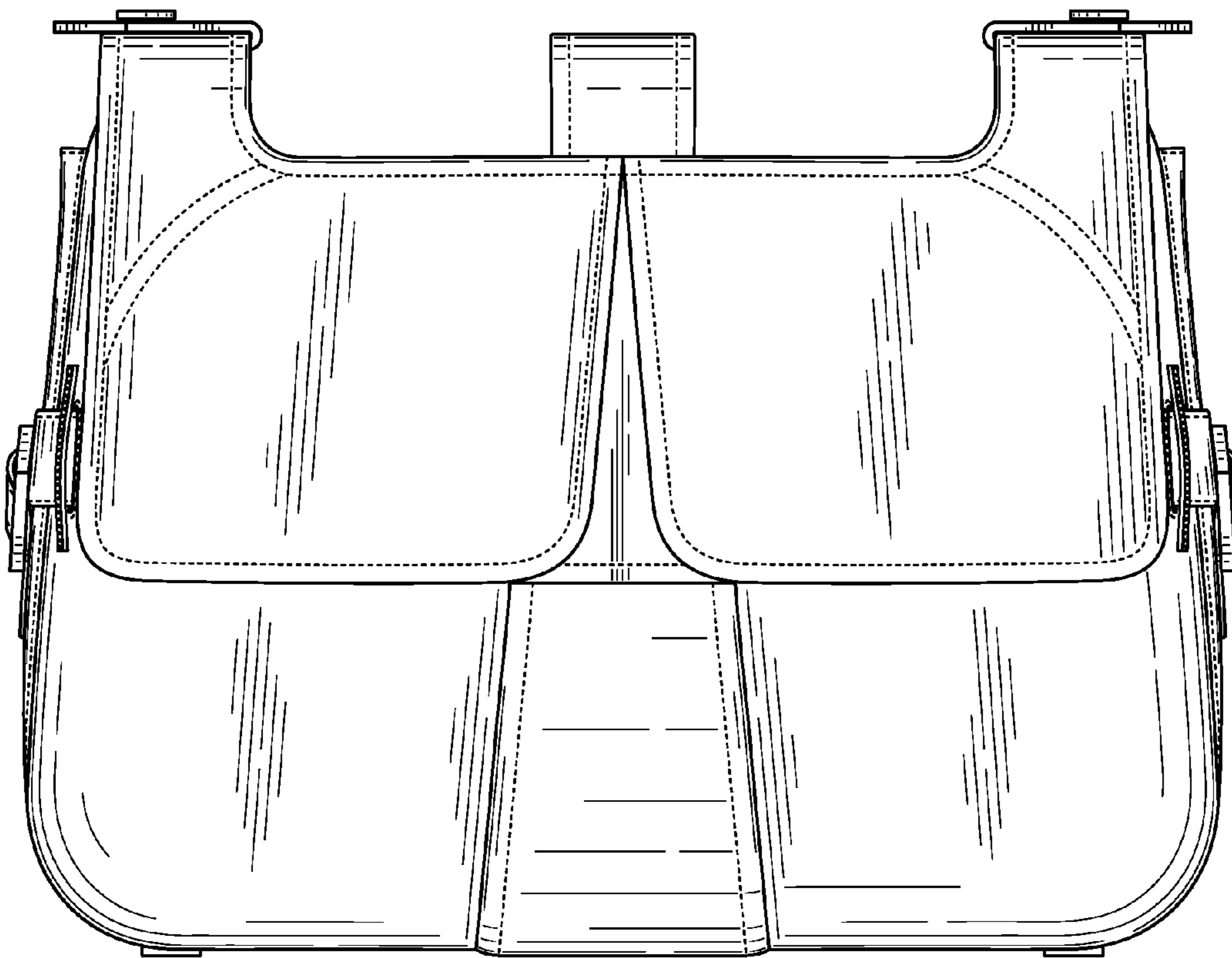


FIG. 3

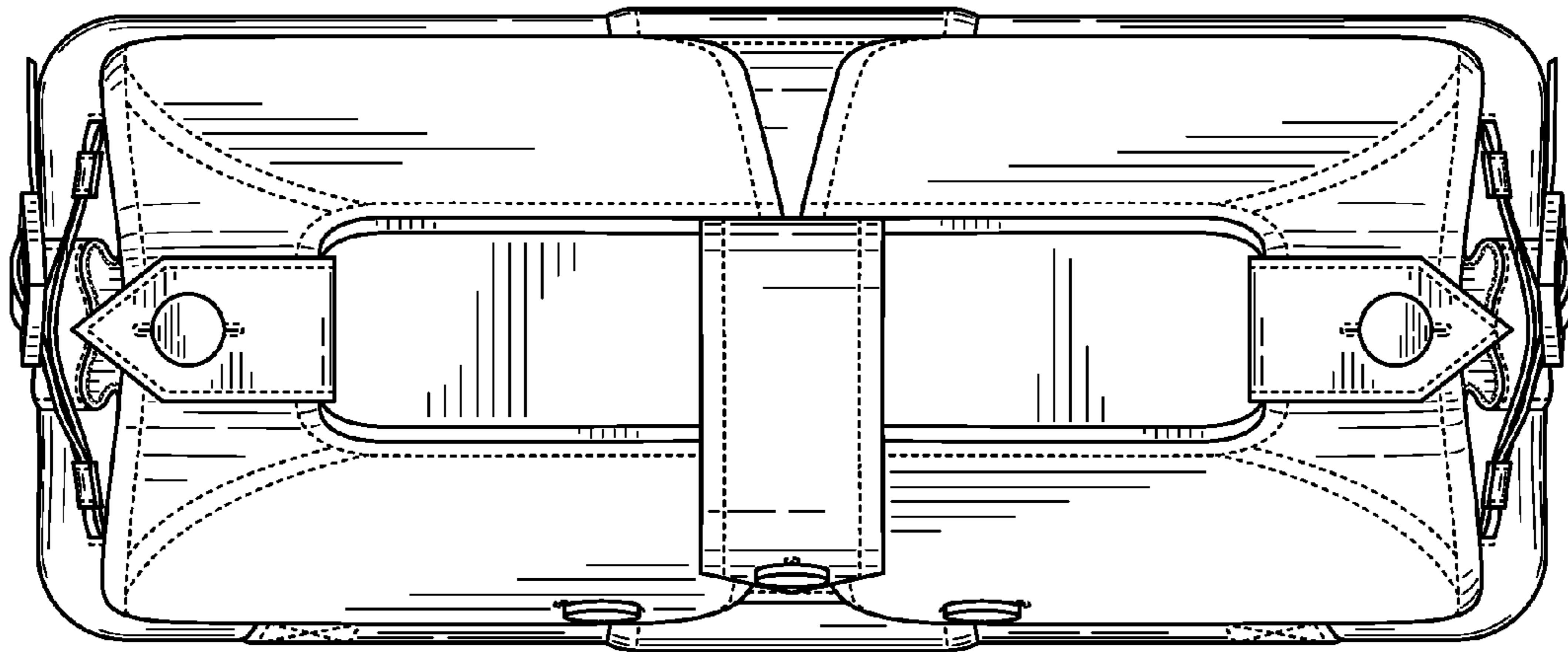


FIG. 4

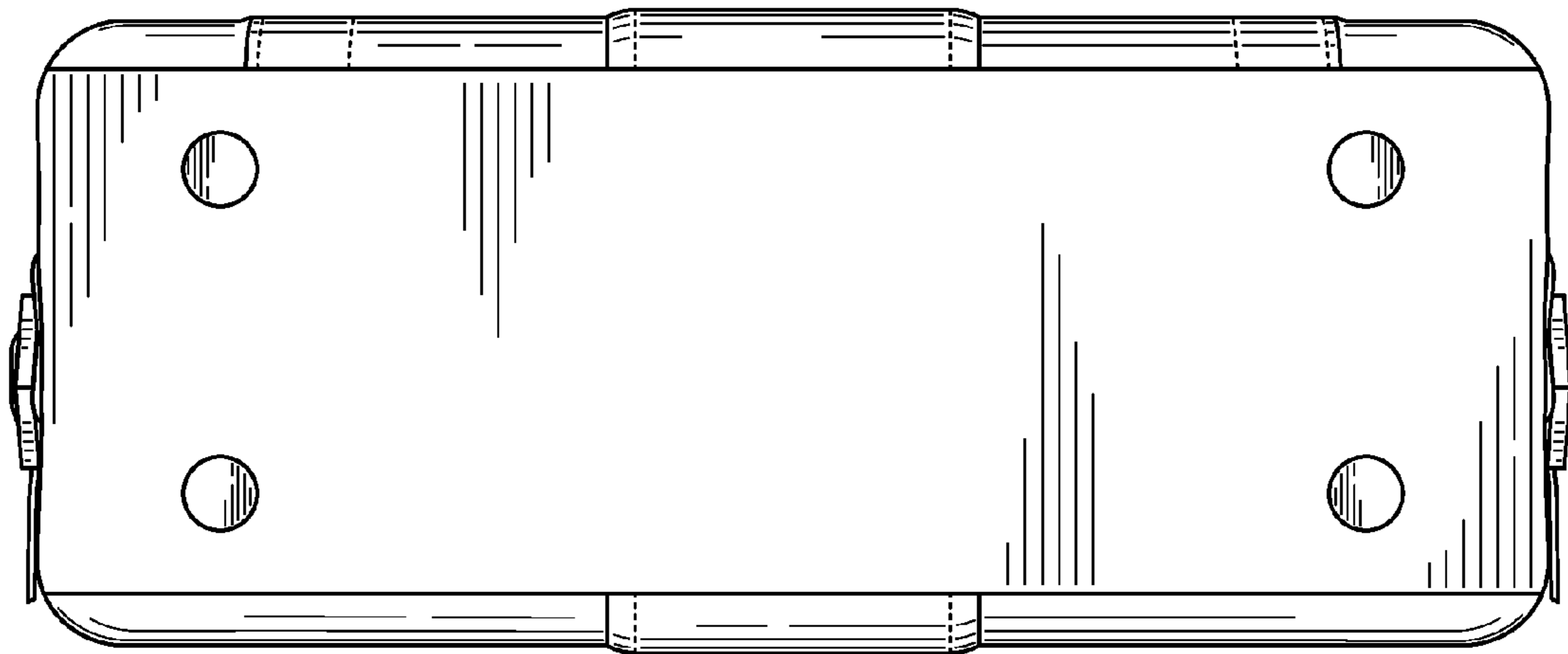


FIG. 5

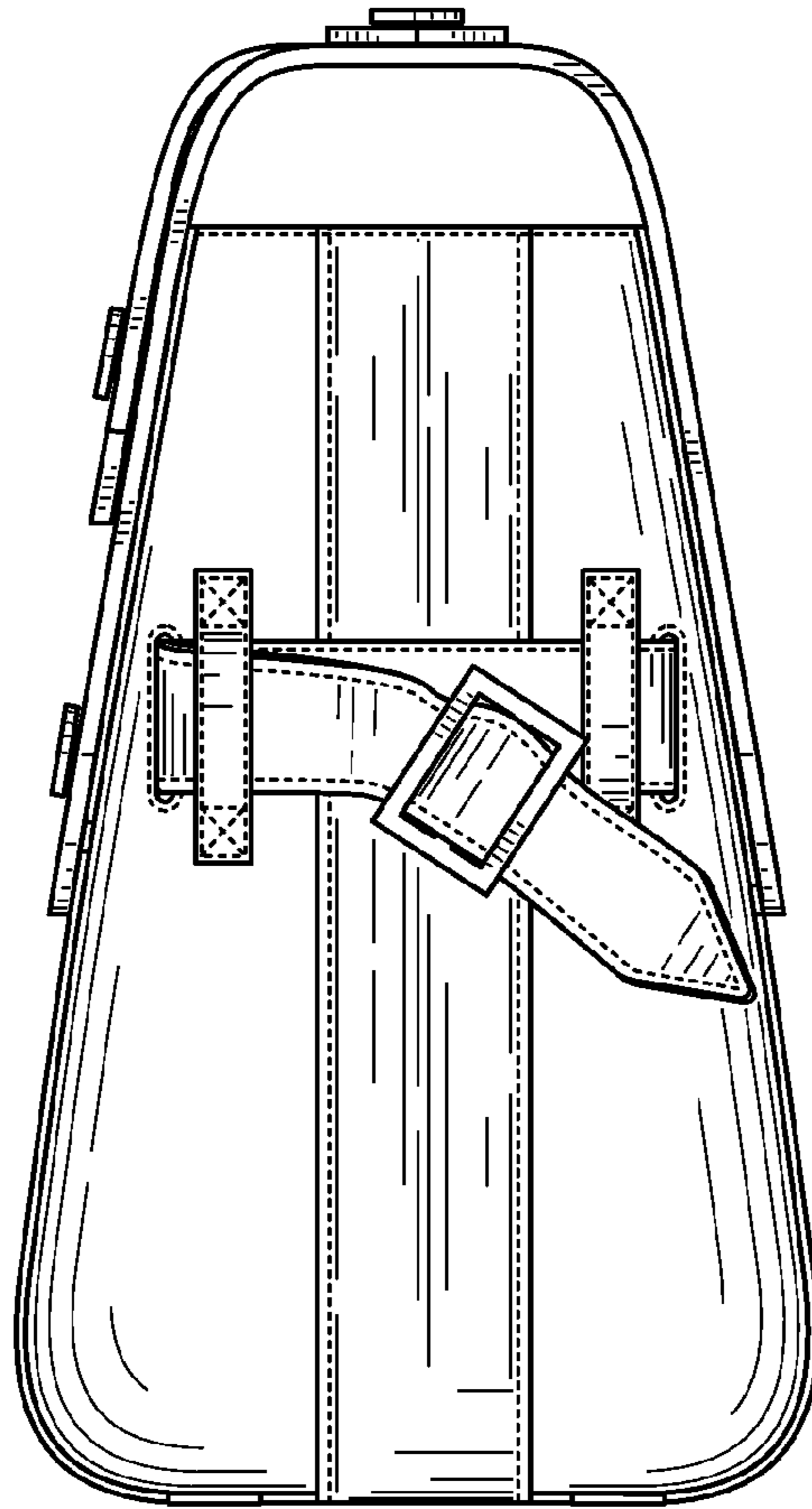


FIG. 6

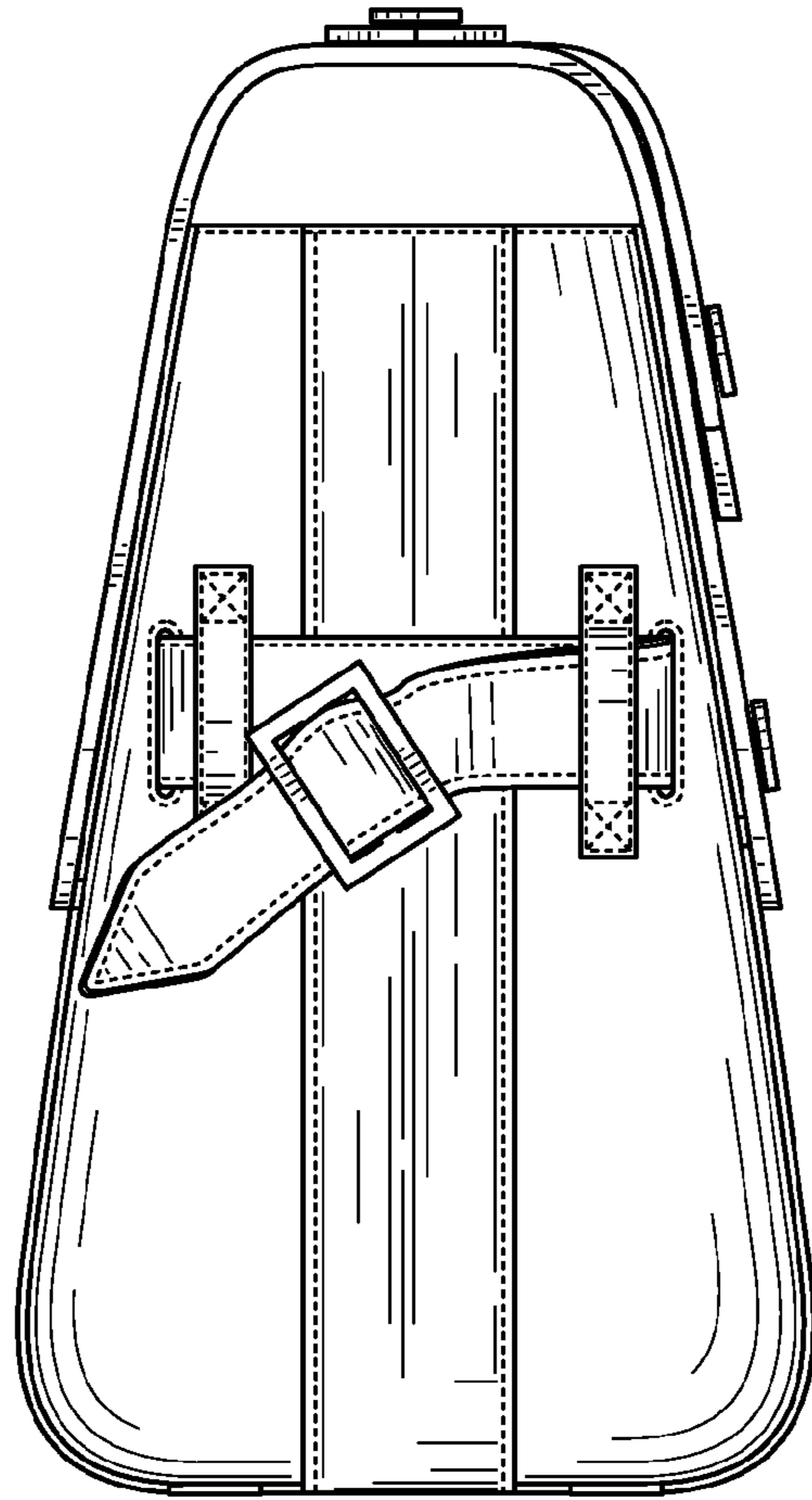


FIG. 7