



US00D677882S

(12) **United States Design Patent**
Inglis

(10) **Patent No.:** **US D677,882 S**

(45) **Date of Patent:** **** *Mar. 19, 2013**

(54) **EXERCISE POUCH**

(76) Inventor: **Graham David Inglis**, Mississauga
(CA)

(*) Notice: This patent is subject to a terminal disclaimer.

(**) Term: **14 Years**

(21) Appl. No.: **29/371,838**

(22) Filed: **Oct. 20, 2011**

(51) **LOC (9) Cl.** **03-01**

(52) **U.S. Cl.** **D3/221; D3/229**

(58) **Field of Classification Search** D3/221,
D3/215, 224, 226, 218-219, 229; 224/236,
224/240-241, 245, 901, 904, 918-919; 206/315.1,
206/315.9; 383/4, 23, 40, 95
See application file for complete search history.

(56) **References Cited**

U.S. PATENT DOCUMENTS

4,468,933 A * 9/1984 Christopher 383/40
(Continued)

FOREIGN PATENT DOCUMENTS

CA	1332825	11/1994
DE	10107925	8/2002
KR	100759905	10/2007

OTHER PUBLICATIONS

Quick details/Specifications, Gym Handy, downloaded approximately Jul. 18, 2011 from www.alibaba.com/product-free/107532654/Gym_Handy.html (1 page).

(Continued)

Primary Examiner — Catheri Oliver-Garcia

(74) *Attorney, Agent, or Firm* — Douglas Eggins

(57) **CLAIM**

The ornamental design for an exercise pouch, as shown and described.

DESCRIPTION

FIG. 1 is a perspective view of a exercise pouch in open position;

FIG. 2 is a front elevational view of the exercise pouch of FIG. 1 in open position;

FIG. 3 is a rear elevational view of the exercise pouch of FIG. 1 in open position;

FIG. 4 is a top plan view of the exercise pouch of FIG. 1 in open position;

FIG. 5 is a bottom plan view of the exercise pouch of FIG. 1 in open position;

FIG. 6 is a right side elevational view of the exercise pouch of FIG. 1 in open position;

FIG. 7 is a left side elevational view of the exercise pouch of FIG. 1 in open position;

FIG. 8 is a perspective view of the exercise pouch of FIG. 1 in closed position;

FIG. 9 is a front elevational view of the exercise pouch of FIG. 1 in closed position;

FIG. 10 is a rear elevational view of the exercise pouch of FIG. 1 in closed position;

FIG. 11 is a top plan view of the exercise pouch of FIG. 1 in closed position;

FIG. 12 is a bottom plan view of the exercise pouch of FIG. 1 in closed position;

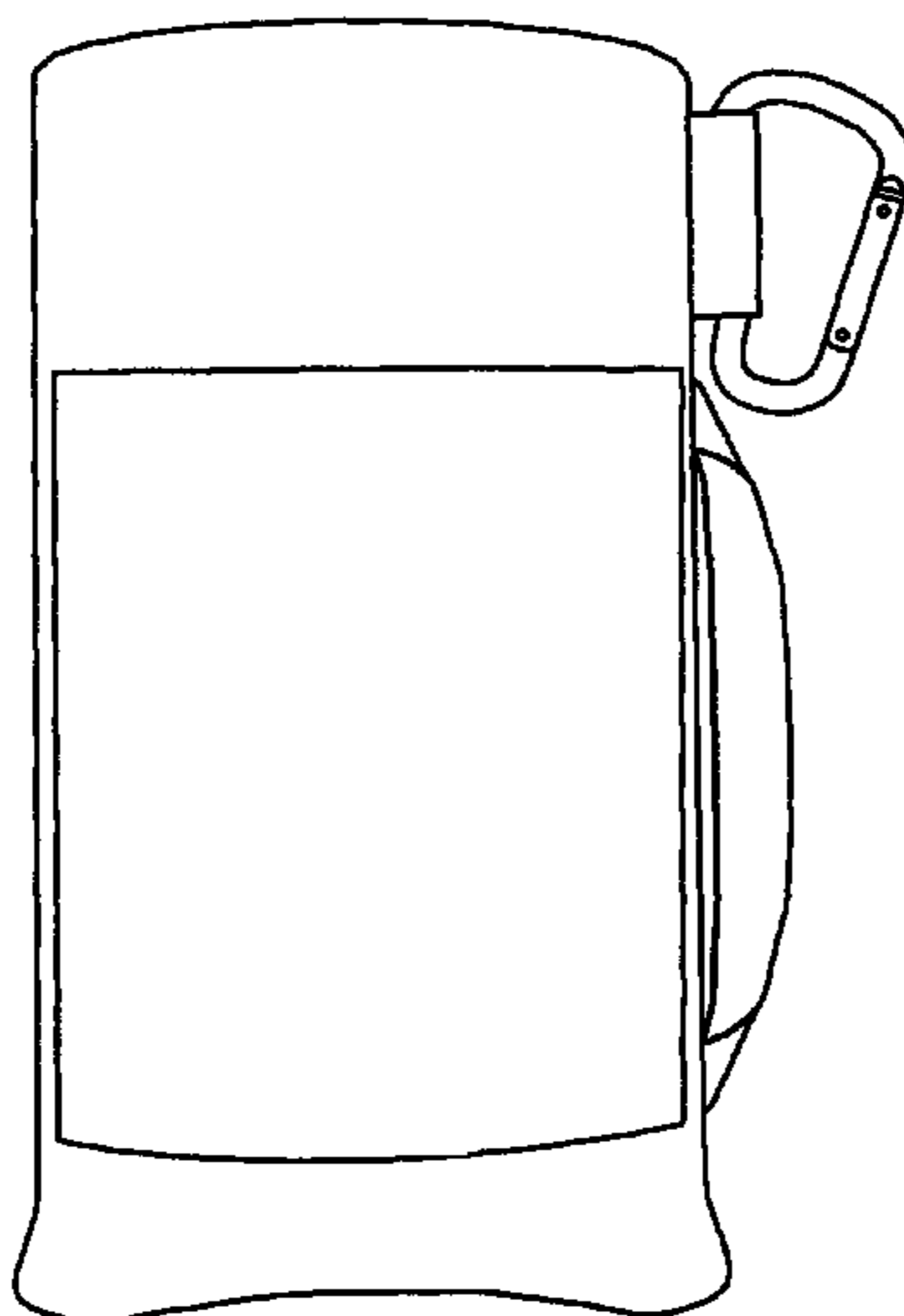
FIG. 13 is a right side elevational view of the exercise pouch of FIG. 1 in closed position;

FIG. 14 is a left side elevational view of the exercise pouch of FIG. 1 in closed position; and,

FIG. 15 is a right side elevational view of the exercise pouch of FIG. 1 in open position showing environment in stippled lines.

The broken line showing of environment in FIG. 15 of the drawings is included for the purpose of illustrating only and forms no part of the claimed design.

1 Claim, 12 Drawing Sheets



U.S. PATENT DOCUMENTS

4,548,375	A	10/1985	Moss	
D347,365	S *	5/1994	McKay	D3/202
5,501,379	A	3/1996	Munoz	
5,890,809	A	4/1999	Nelson	
D415,390	S *	10/1999	Winnington-Ingram	D7/507
6,004,033	A	12/1999	Cirone	
6,182,872	B1	2/2001	Six	
6,401,993	B1	6/2002	Andrino	
D543,024	S *	5/2007	More	D3/221
D562,928	S *	2/2008	Burns et al.	D3/221
7,445,185	B1	11/2008	Cicero	
D591,949	S *	5/2009	Goetzinger	D3/221
2003/0047578	A1	3/2003	Barnett	
2005/0167457	A1	8/2005	Barnett	
2006/0124492	A1	6/2006	Godshaw	
2007/0181618	A1	8/2007	Nagy et al.	
2008/0149589	A1	6/2008	Lach	
2010/0102096	A1	4/2010	Willows et al.	
2010/0294403	A1	11/2010	Gyuran	
2011/0132507	A1	6/2011	Reyes	

OTHER PUBLICATIONS

Neoprene water bottle cooler, downloaded approximately Jul. 18, 2011 from http://www.alibaba.com/product-gs/239089336/custom_neoprene_water_bottle_cooler_water.html (1 page).

Water Bottle Cooler with Running Strap, downloaded approximately Jul. 18, 2011 from www.ce.com.au/assets/591502d2f38b40eeba6112de7a7dab2c.pdf (1 page).

Beer Bottle Cooler bag, downloaded approximately Jul. 18, 2011 from http://www.alibaba.com/product-gs/223561162/Beer_Bottle_Cooler_Bag.html?newId=223561162&pn=1&pt=10&t=12&cids=200176231,200663108,200935043,200021329,200235473,200015194,50146576,50036089,10838652 (1 page).

Water Bottle Pouch, downloaded approximately Jul. 18, 2011 from http://www.alibaba.com/product-free/100013336/Water_Bottle_Pouch/showimage.html (1 page).

Nalgene Big Pocket Bottle Holder Item #64168, downloaded approximately Jul. 18, 2011 from http://www.ems.com/product/index.jsp?productId=11218943&emssrcid=AFF%3AGAN_k76919 (1 page).

Water Bottler Carrier, downloaded approximately Jul. 18, 2011 from <http://cowboyoutfitters.com/jti-61-9350x.html> (1 page).

Products Insulated Water Bottle Holder, Outdoor Products Bota 1 Liter Water Bottle Holder, downloaded approximately Jul. 18, 2011, website presently unknown (1 page).

Access Groove, downloaded approximately Jul. 18, 2011 from <http://walking.about.com/od/prpack/tp/singlepack.htm> (1 page).

* cited by examiner

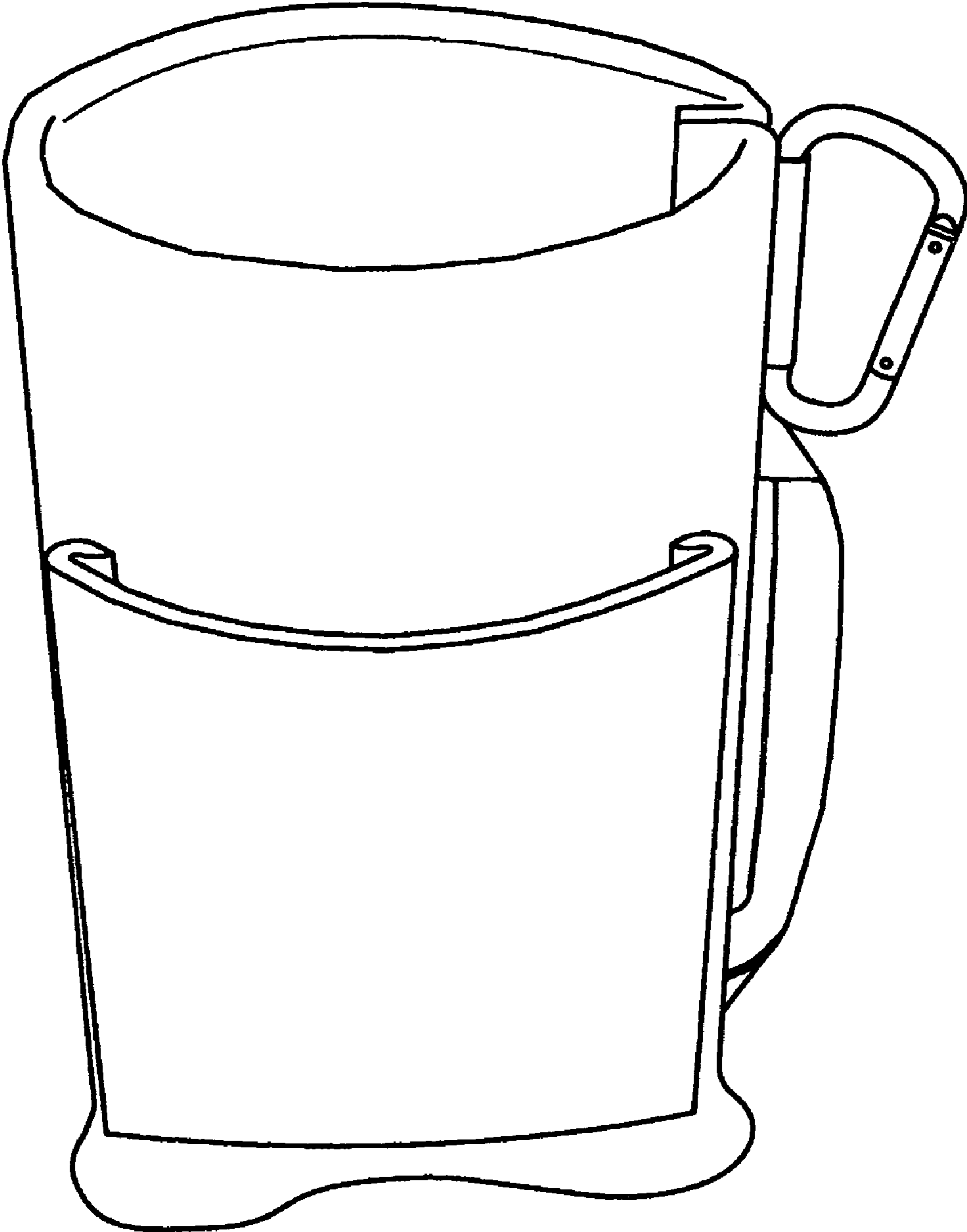


FIG. 1

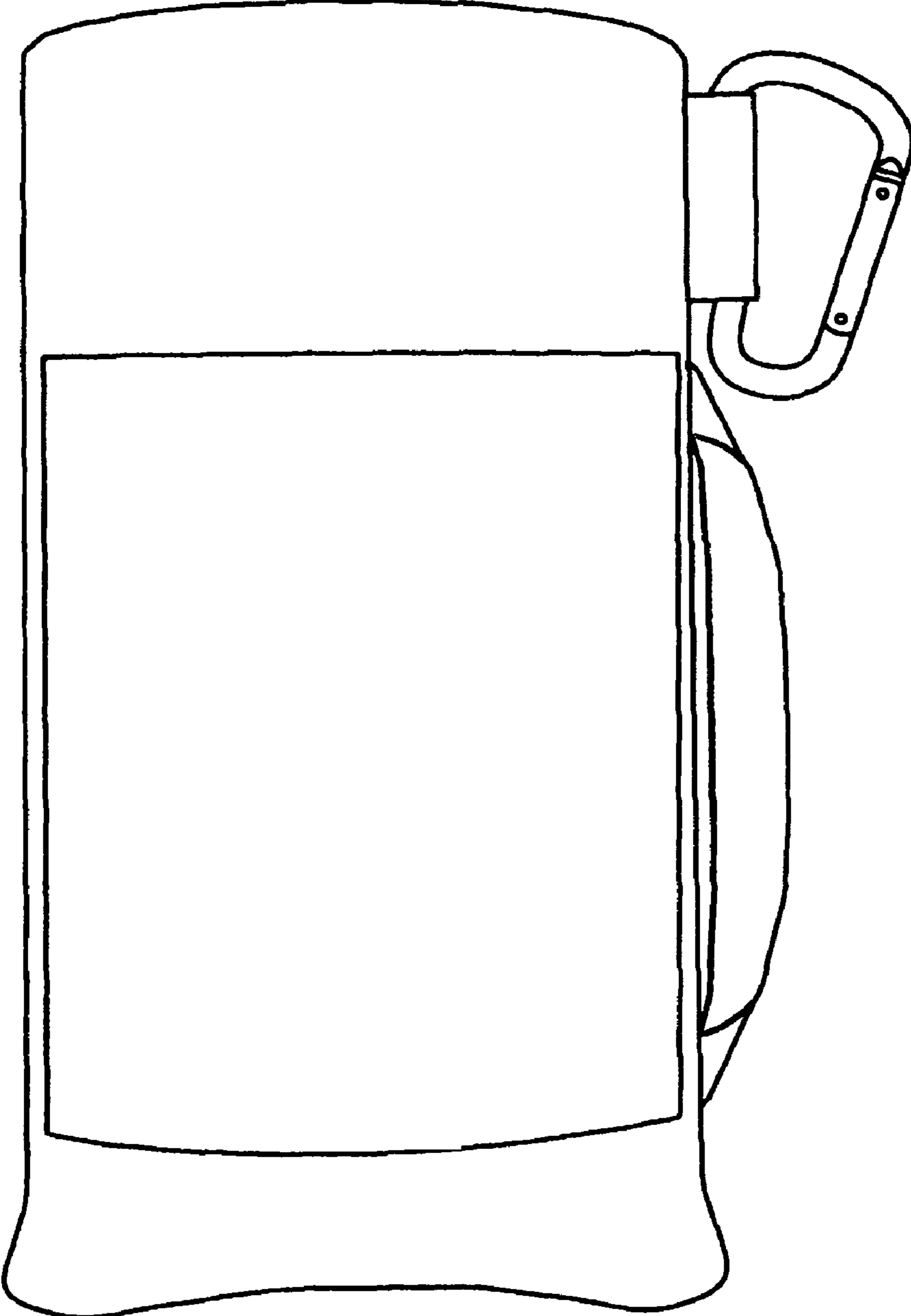


FIG. 2

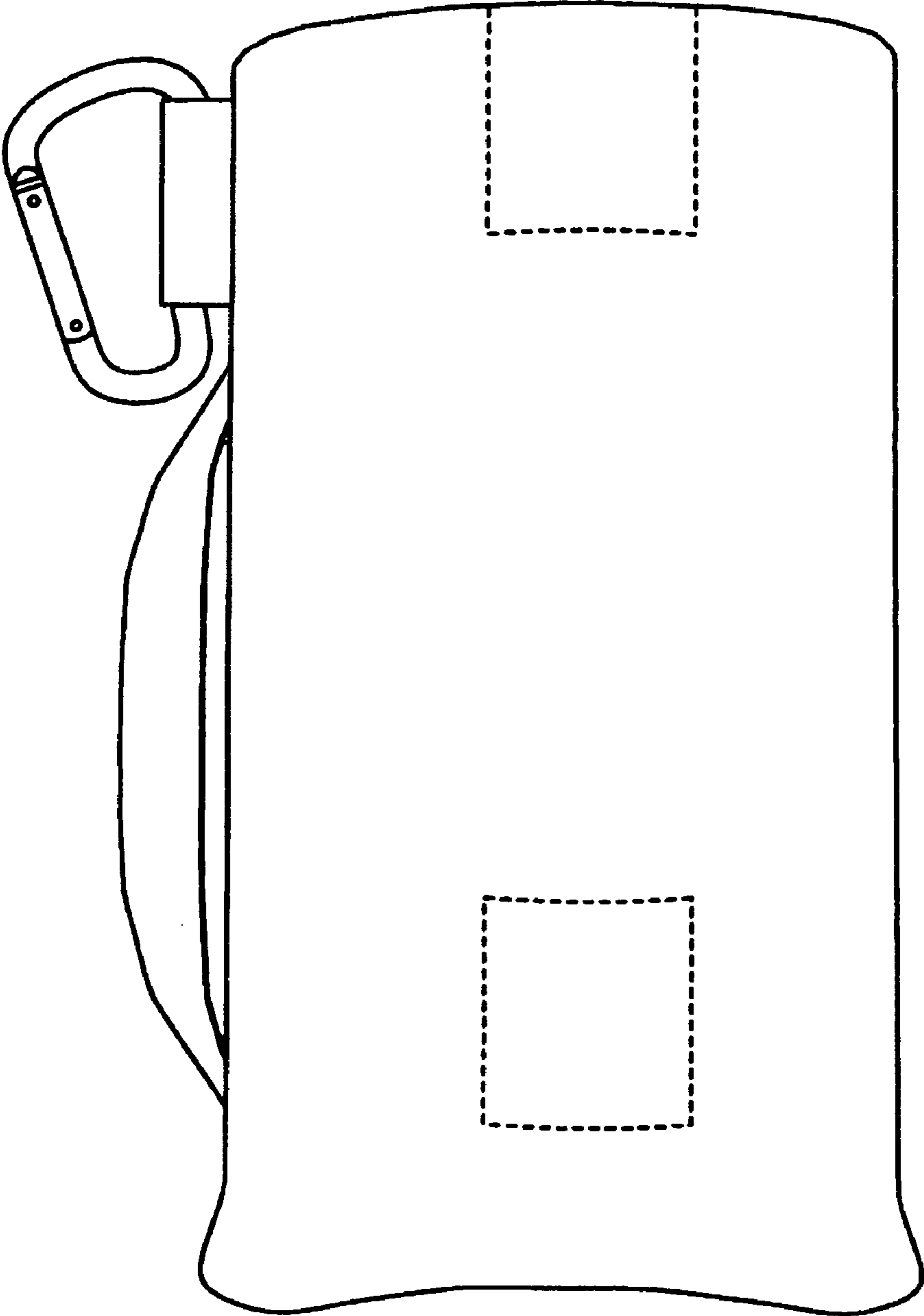


FIG. 3

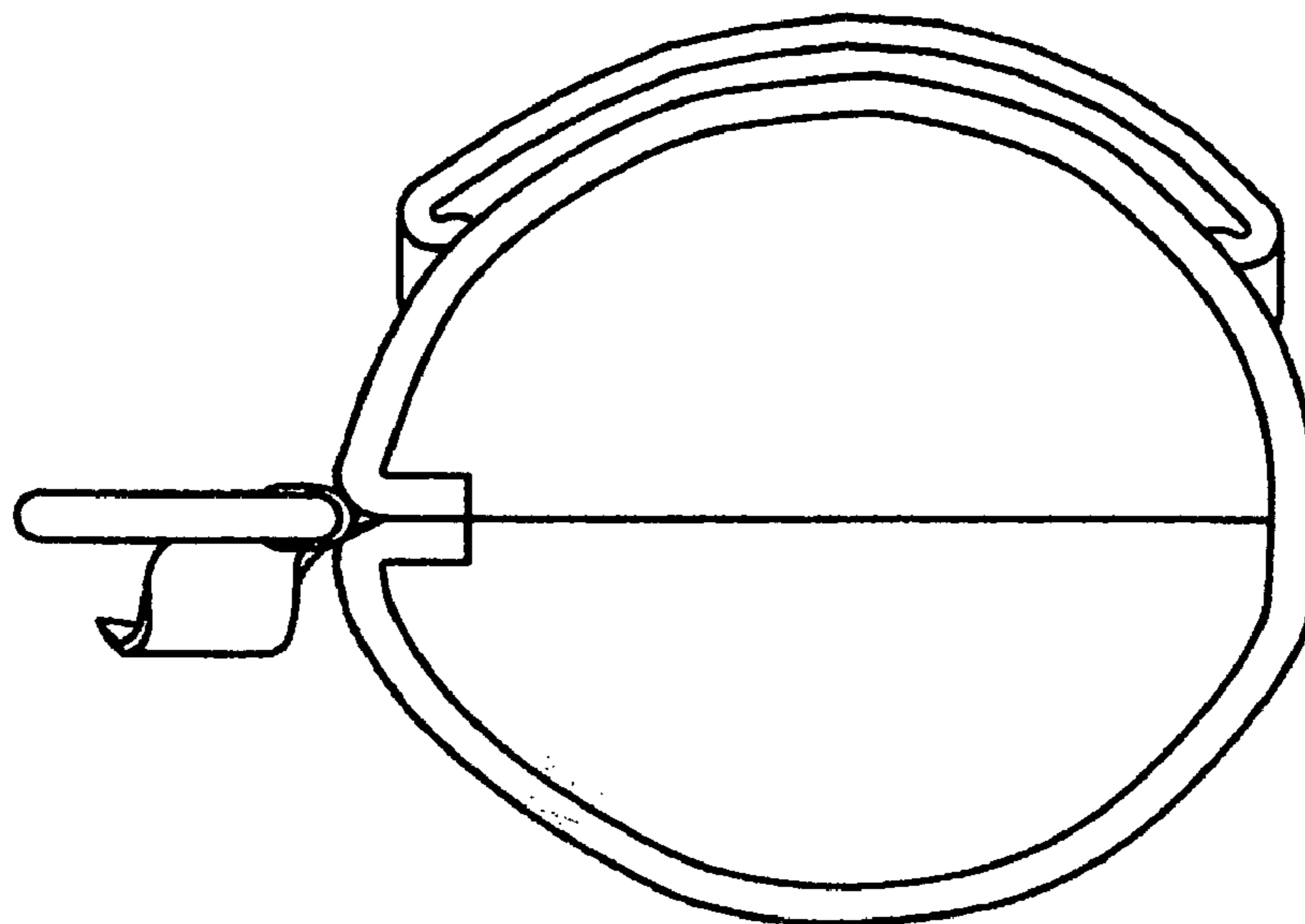


FIG. 4

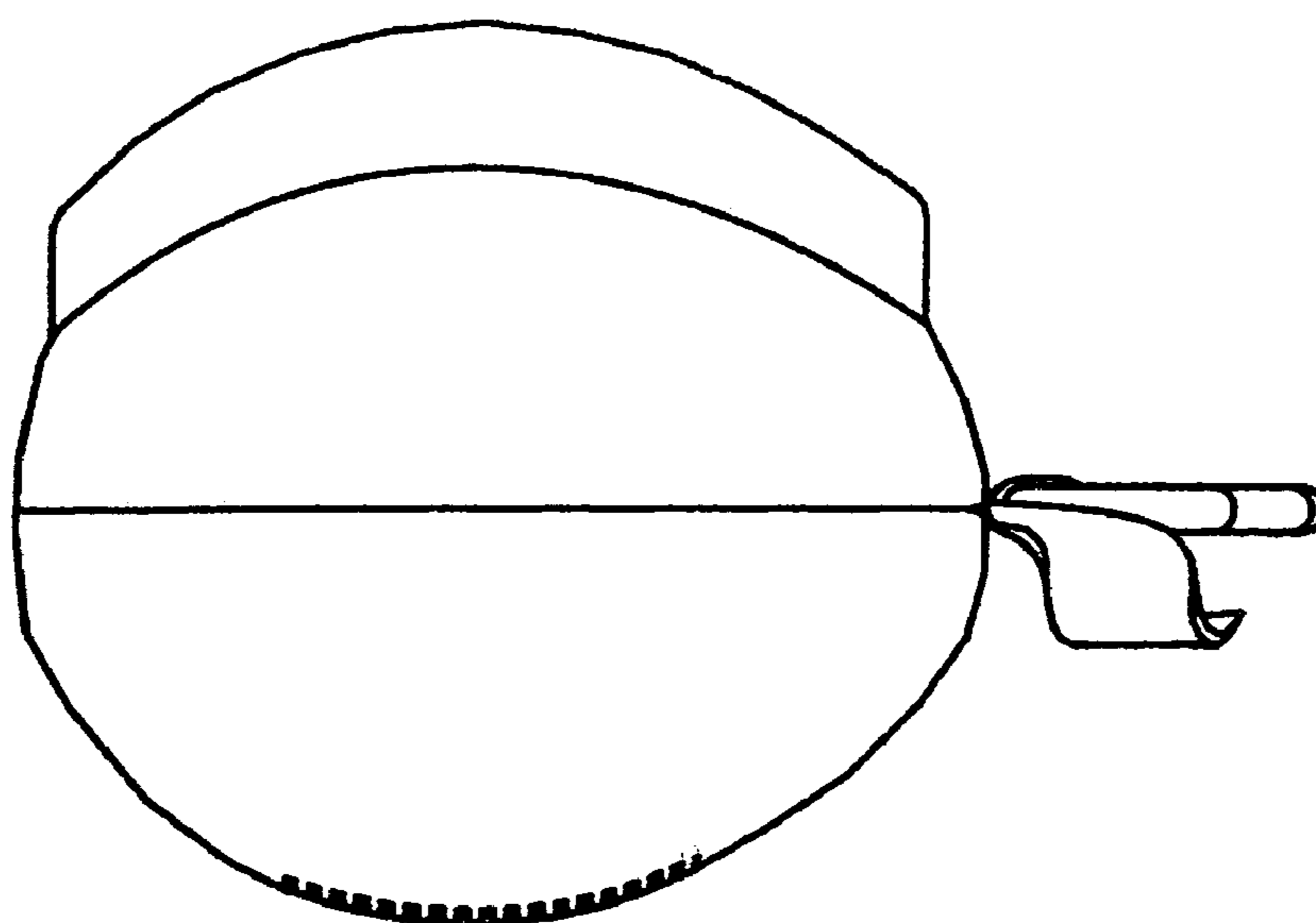


FIG. 5

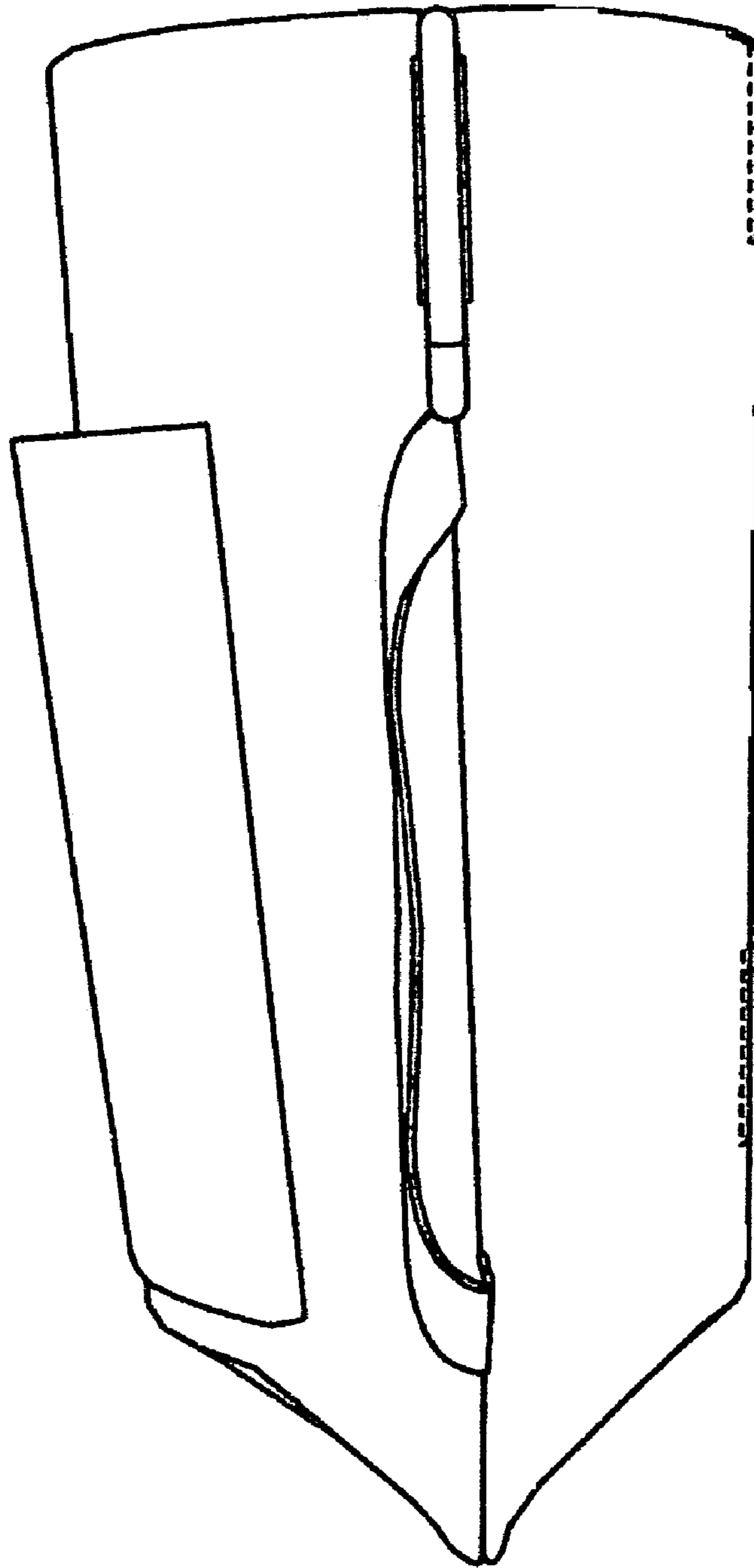


FIG. 6

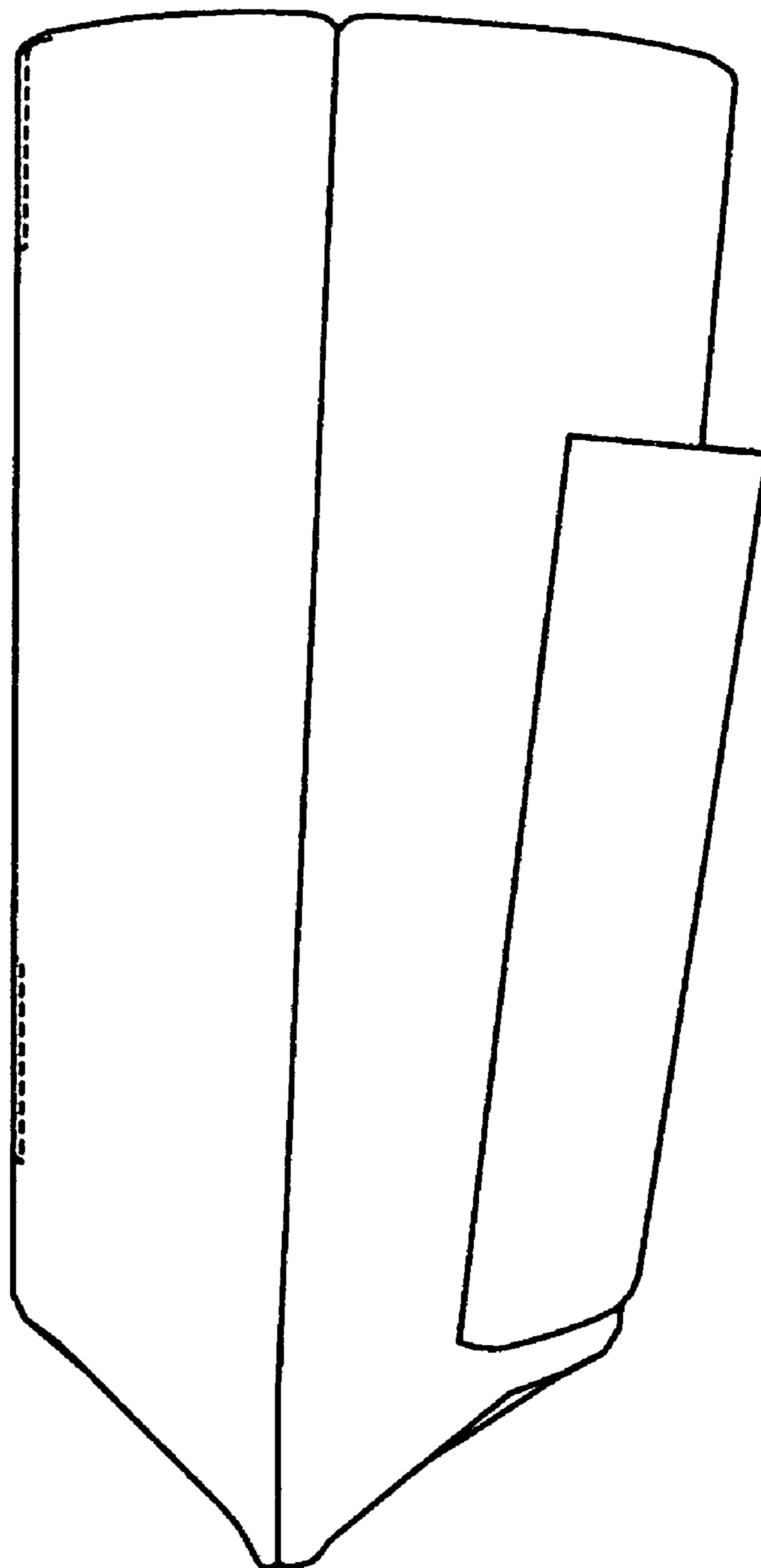


FIG. 7

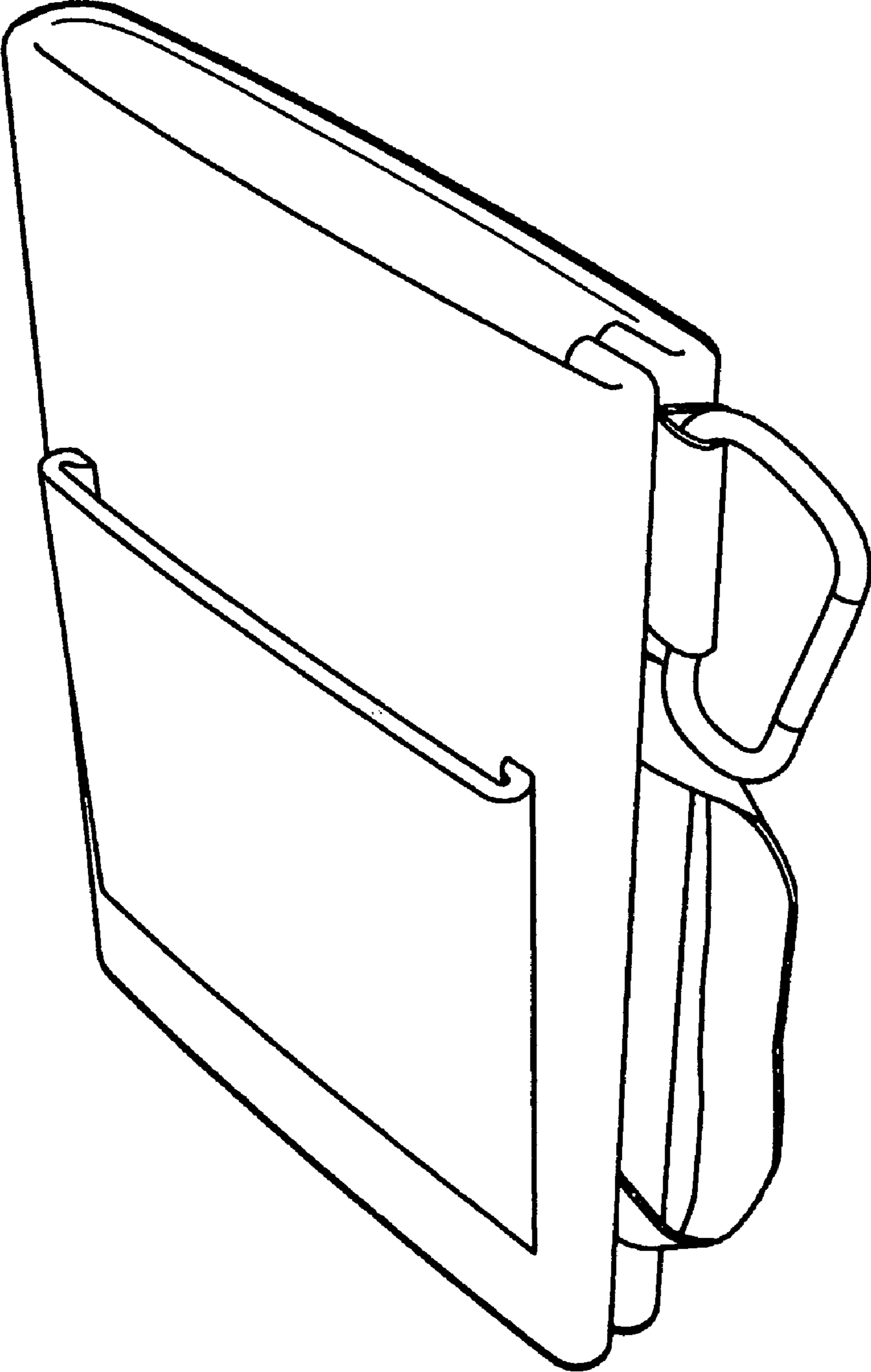


FIG. 8

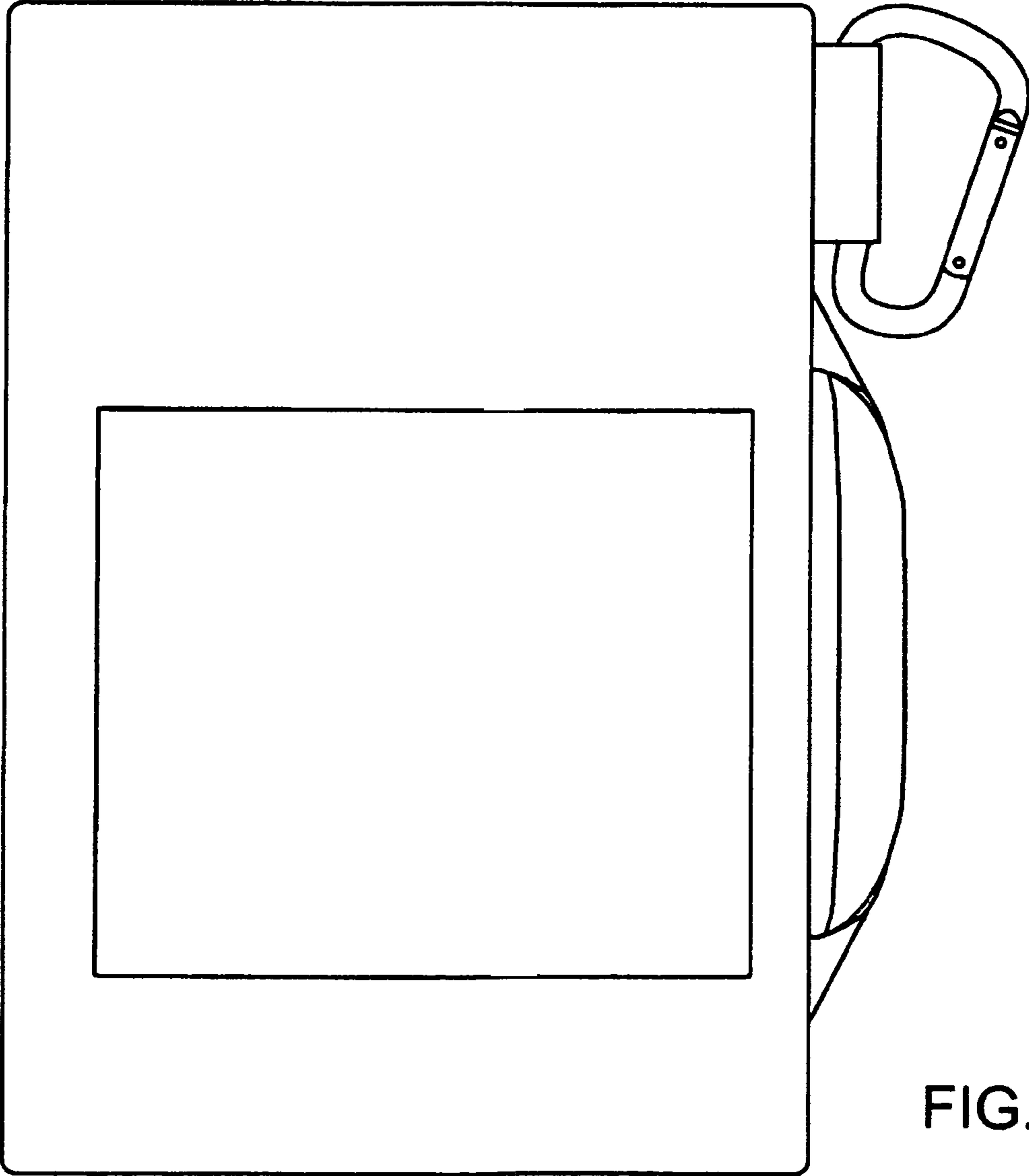


FIG. 9

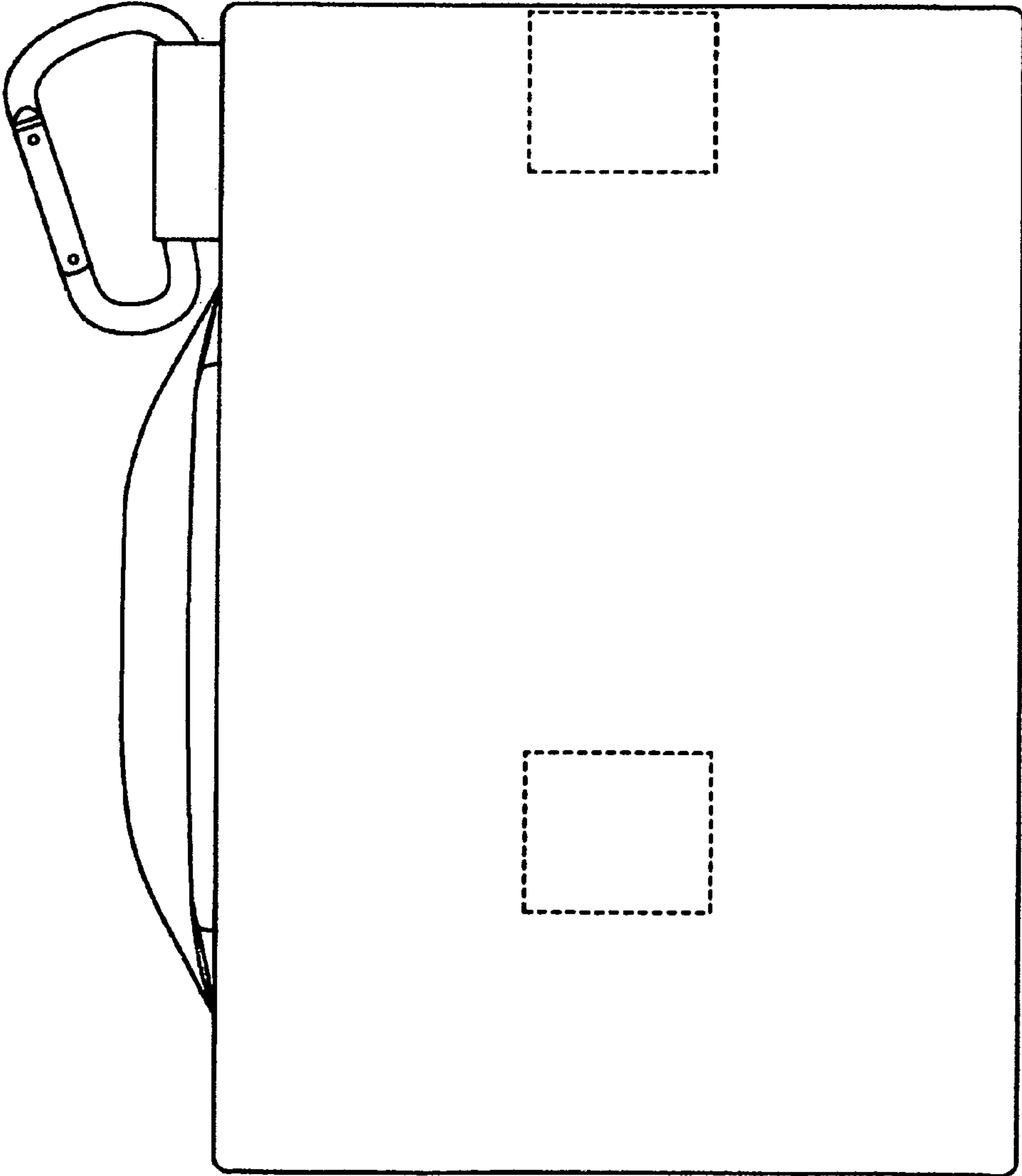


FIG. 10

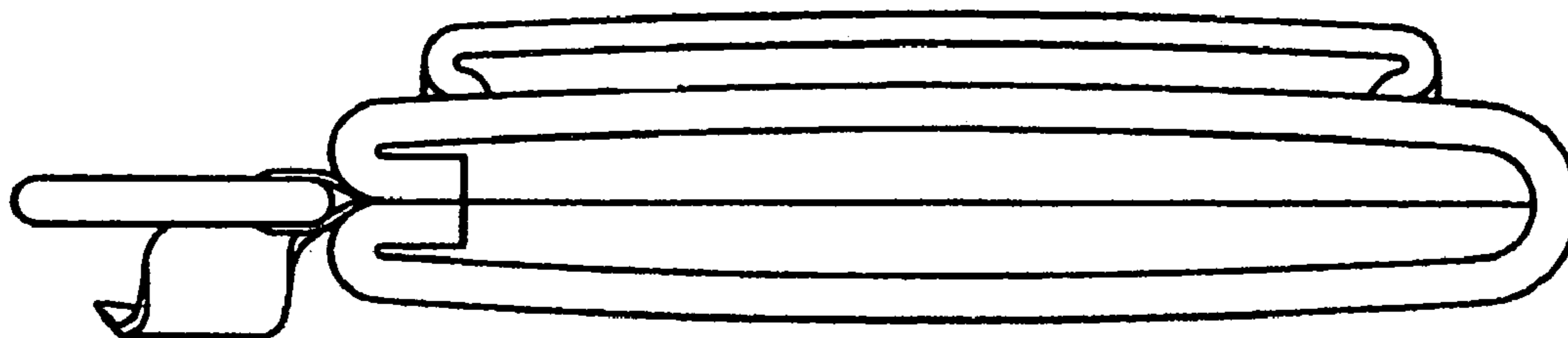


FIG. 11

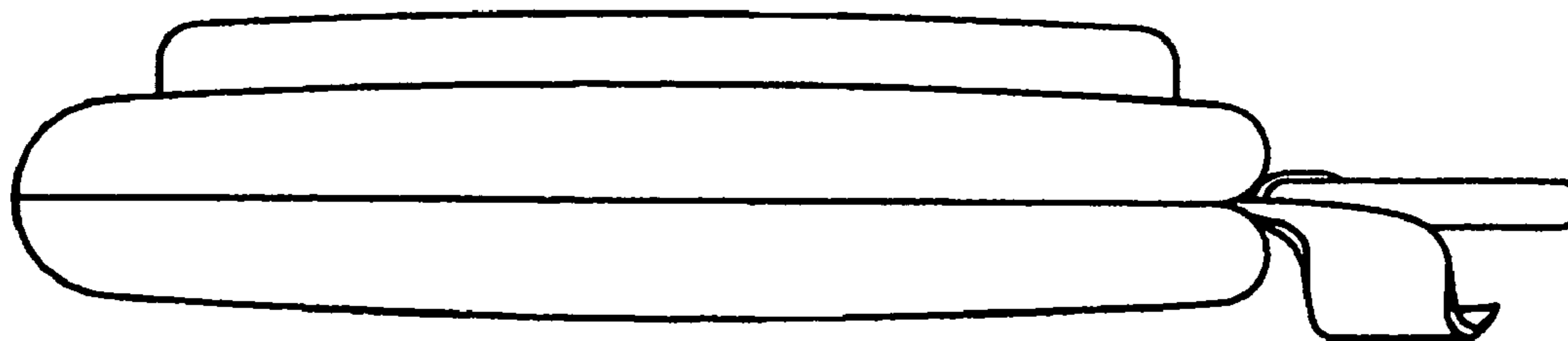


FIG. 12

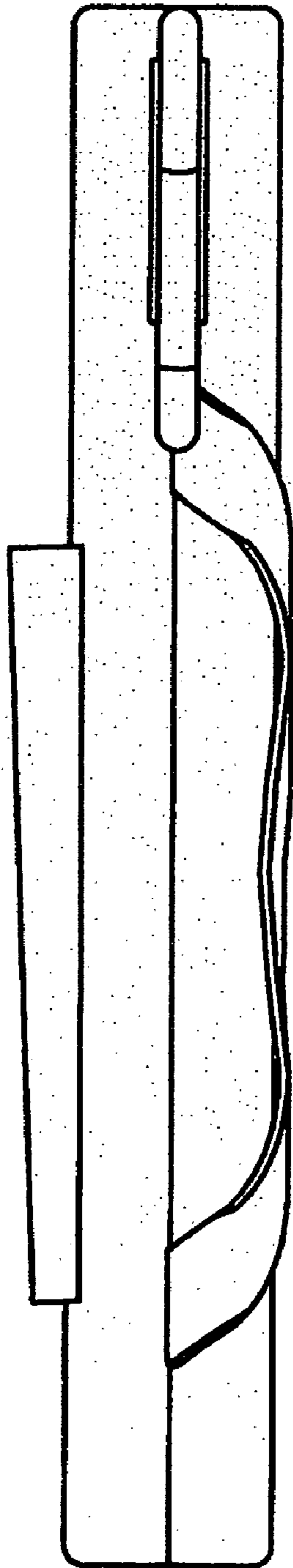


FIG. 13

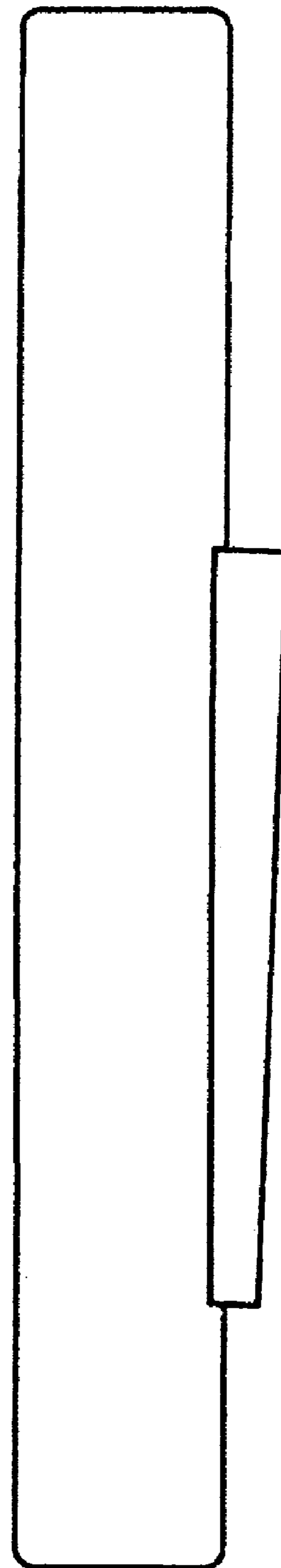


FIG. 14

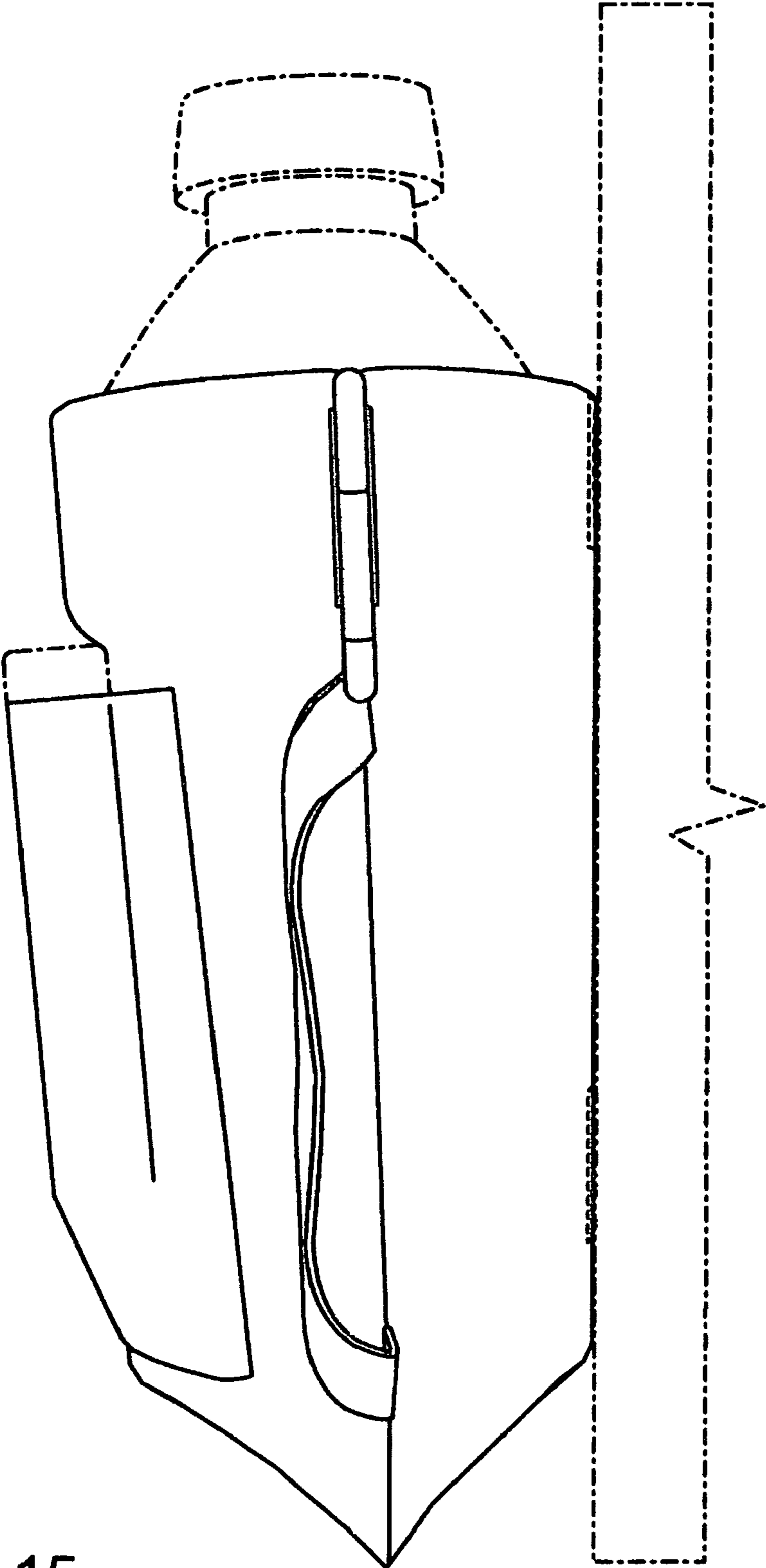


FIG. 15