

US00D677881S

(12) **United States Design Patent**
Hedaya

(10) **Patent No.:** **US D677,881 S**
(45) **Date of Patent:** **** Mar. 19, 2013**

(54) **COSTUME BACKPACK**

(75) Inventor: **Evan Hedaya**, Brooklyn, NY (US)

(73) Assignee: **Fast Forward LLC**, New York, NY (US)

(**) Term: **14 Years**

(21) Appl. No.: **29/424,234**

(22) Filed: **Jun. 8, 2012**

Related U.S. Application Data

(60) Continuation of application No. 29/408,144, filed on Dec. 7, 2011, now Pat. No. Des. 661,481, which is a division of application No. 29/356,865, filed on Mar. 3, 2010, now Pat. No. Des. 652,207, which is a continuation-in-part of application No. 29/348,798, filed on Feb. 4, 2010, now abandoned.

(51) **LOC (9) Cl.** **03-01**

(52) **U.S. Cl.** **D3/217**

(58) **Field of Classification Search** D3/214,
D3/215, 216, 217, 270; D2/830; 224/153,
224/576, 577, 578

See application file for complete search history.

(56) **References Cited**

U.S. PATENT DOCUMENTS

4,662,550 A	5/1987	O'Donnell	224/657
5,255,834 A	10/1993	Bendersky	224/657
D425,697 S	5/2000	Chapman	D3/216
D448,923 S	10/2001	Willingham et al.	D3/216
6,419,132 B1	7/2002	Reed	224/153
6,510,974 B2	1/2003	Willingham	224/657
D469,952 S	2/2003	Daglow	D3/216

D527,892 S	9/2006	Yang	D3/217
D548,455 S	8/2007	Aiberti	D3/216
D557,009 S	12/2007	Elmberg	D3/217
D604,503 S	11/2009	Patadia	D3/217
D611,680 S	3/2010	Thomas	D2/830
D619,802 S	7/2010	Hedaya	D3/216
D631,245 S *	1/2011	Sabbah	D3/217
D635,761 S	4/2011	Hedaya	D3/216
D642,791 S	8/2011	Quehl	D3/217
8,028,879 B2	10/2011	Amishay	224/578
2002/0166881 A1	11/2002	Willingham	224/652
2007/0175939 A1	8/2007	Gold	224/576
2008/0035074 A1	2/2008	Diez	119/770
2008/0116026 A1	5/2008	Bass	190/1
2008/0245829 A1	10/2008	Hansen	224/153
2011/0297719 A1	12/2011	Sabbah	224/576
2012/0006865 A1	1/2012	Su	224/153

* cited by examiner

Primary Examiner — T. Chase Nelson

(74) *Attorney, Agent, or Firm* — Ostrolenk Faber LLP

(57) **CLAIM**

The ornamental design for costume backpack, as shown and described.

DESCRIPTION

FIG. 1 is a front, perspective view of a costume backpack showing my new design;

FIG. 2 is a front view thereof;

FIG. 3 is a rear view thereof;

FIG. 4 is a right side view thereof;

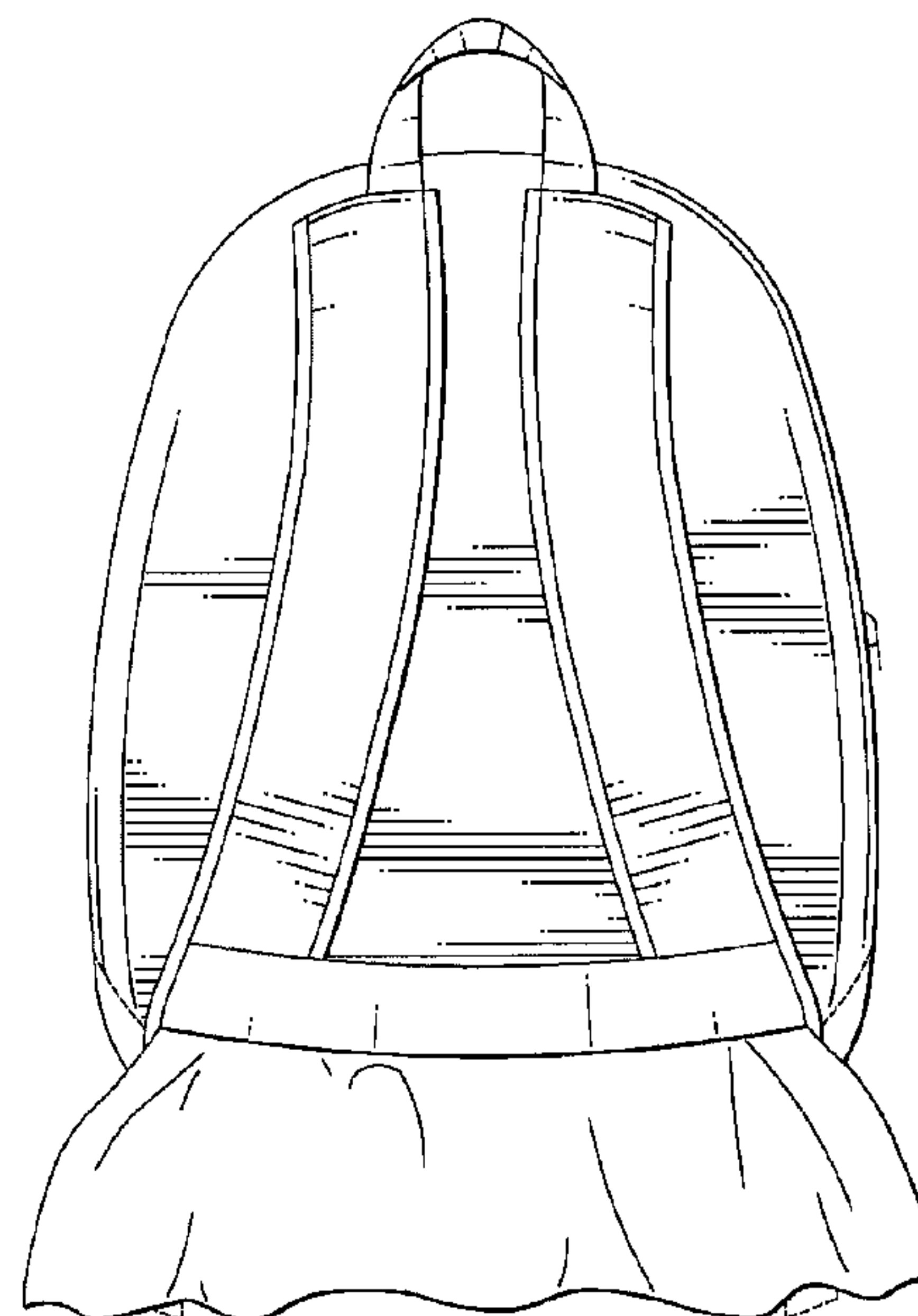
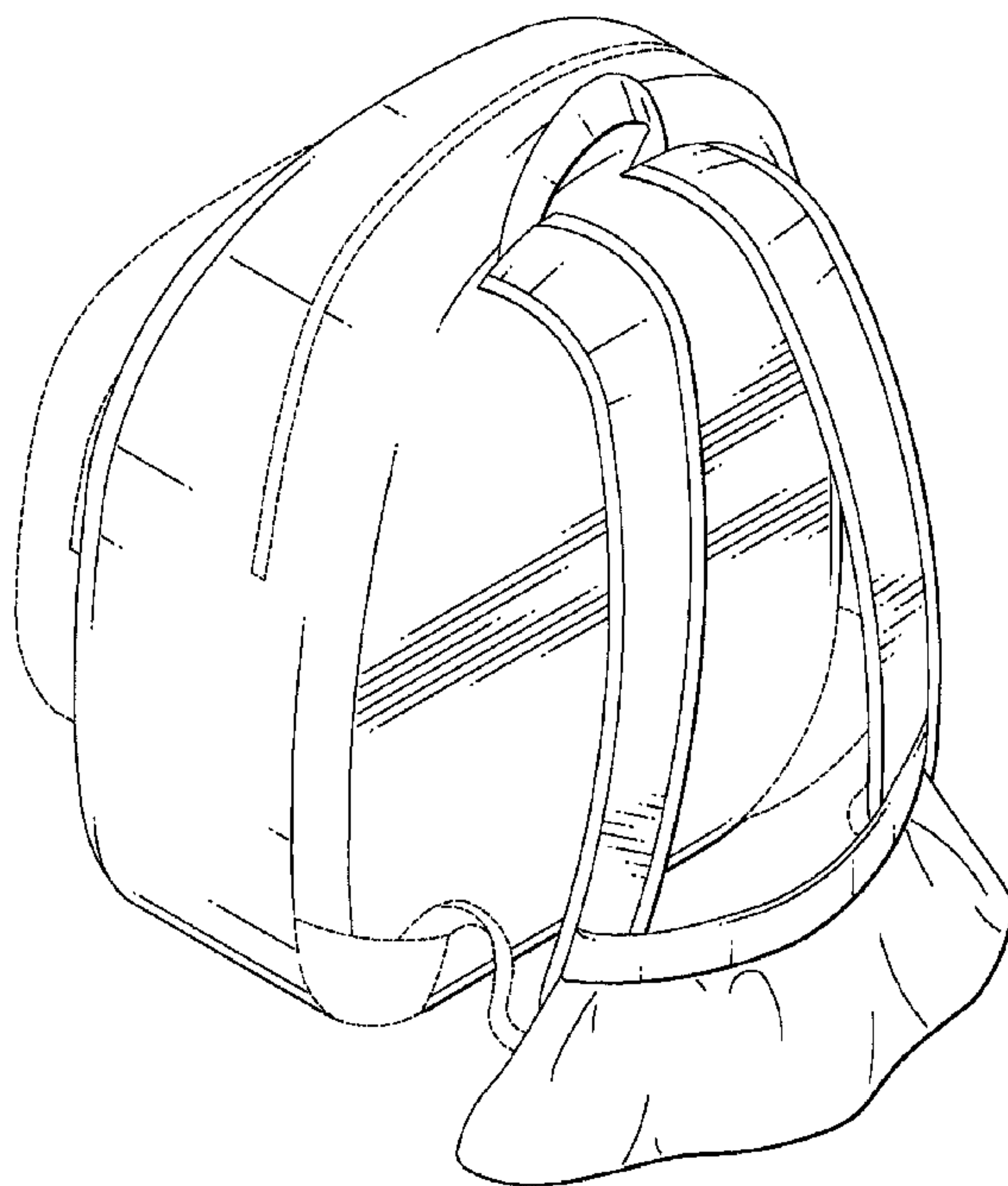
FIG. 5 is a left side view thereof;

FIG. 6 is a top view thereof; and,

FIG. 7 is a bottom view thereof.

The broken lines in the drawings illustrate environmental material that forms no part of the claimed design.

1 Claim, 7 Drawing Sheets



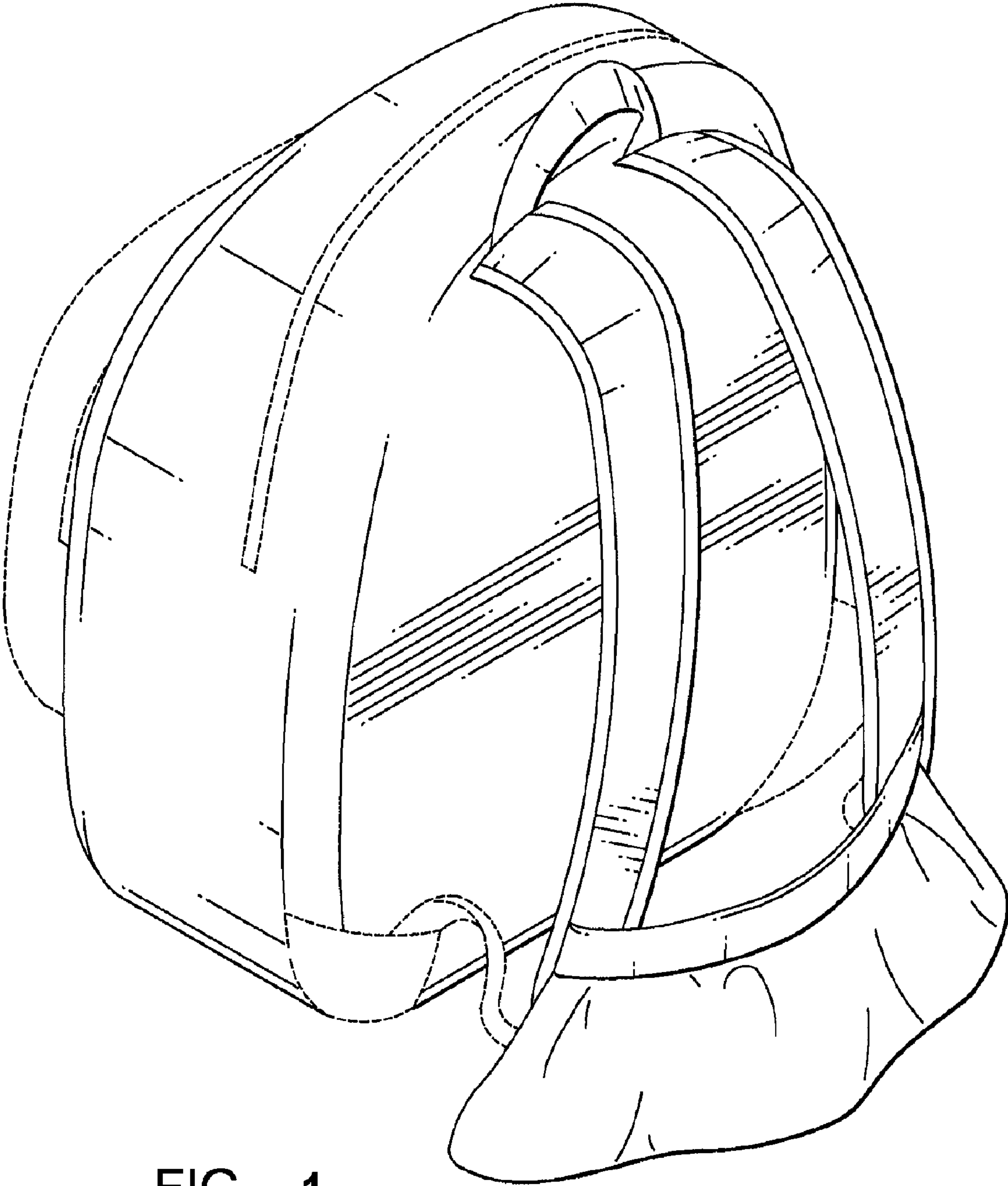


FIG. 1

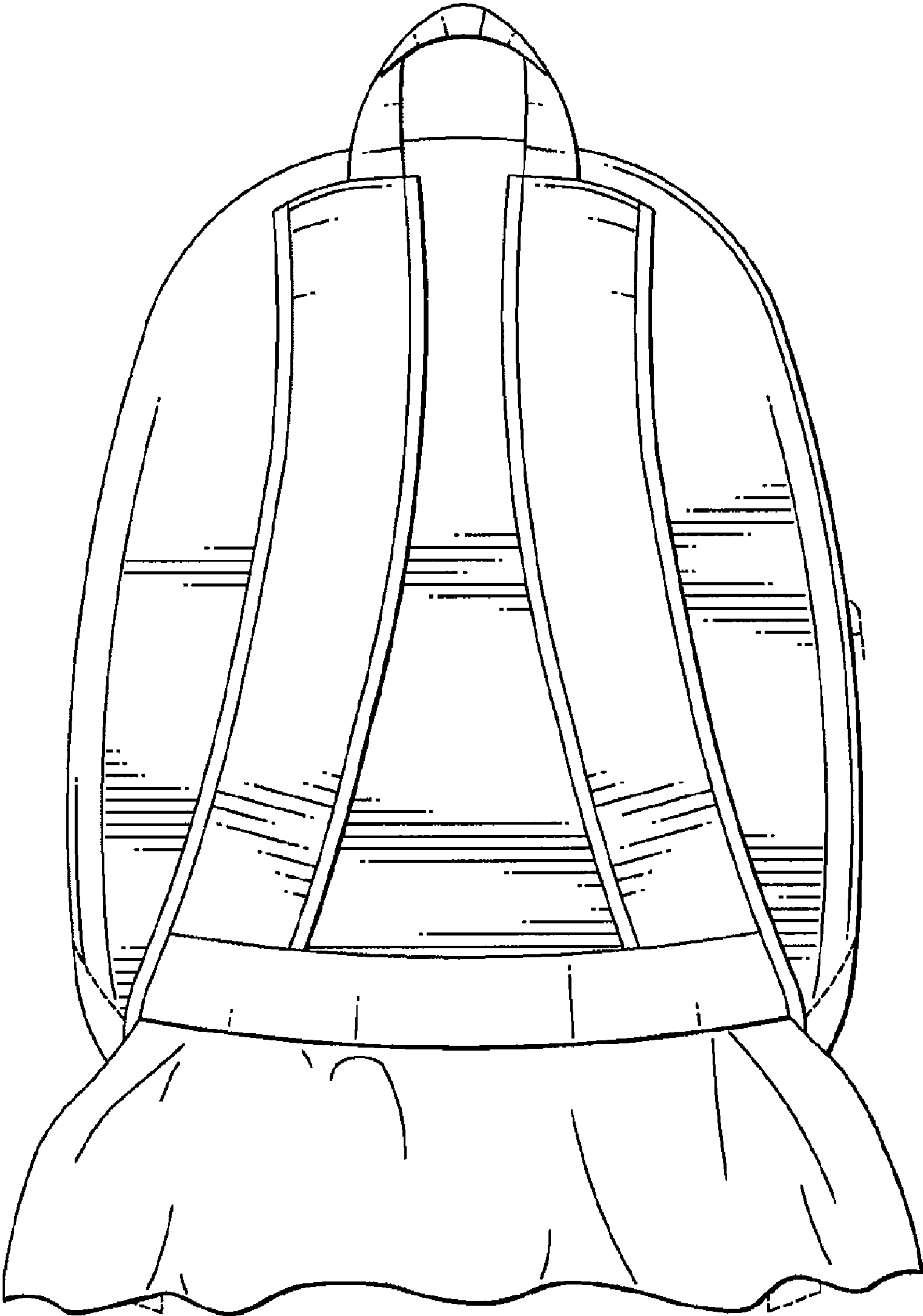


FIG. 2

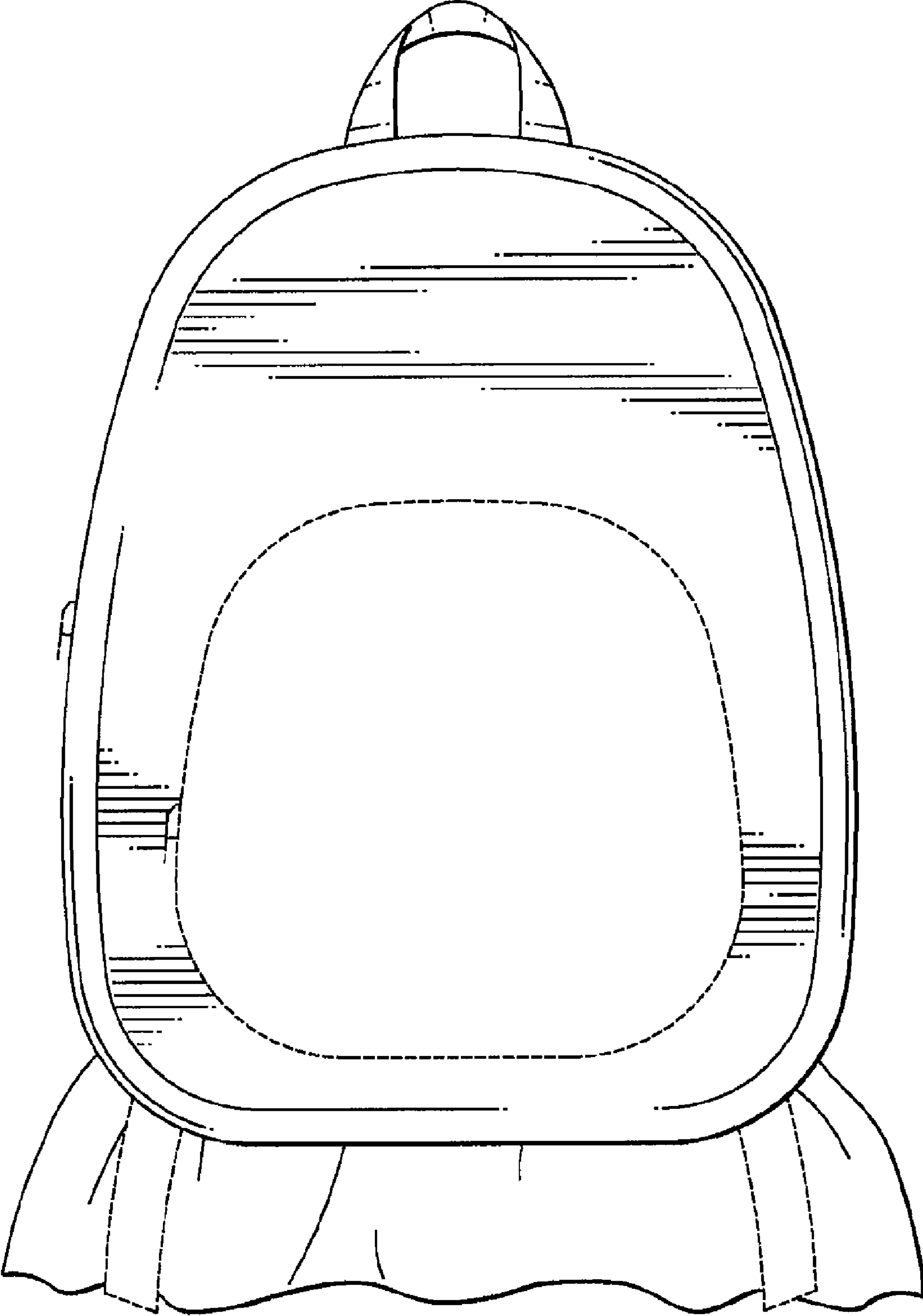


FIG. 3

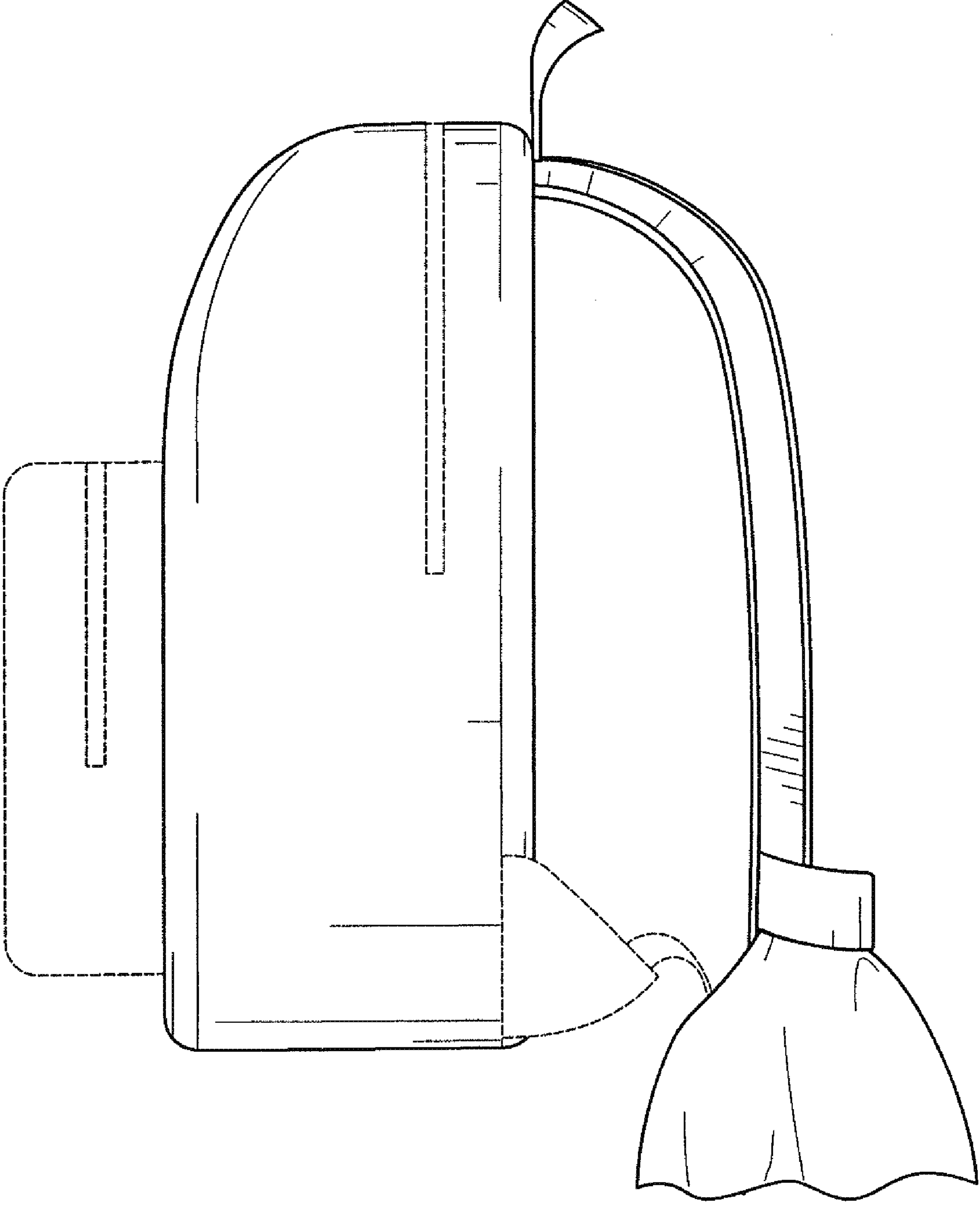


FIG. 4

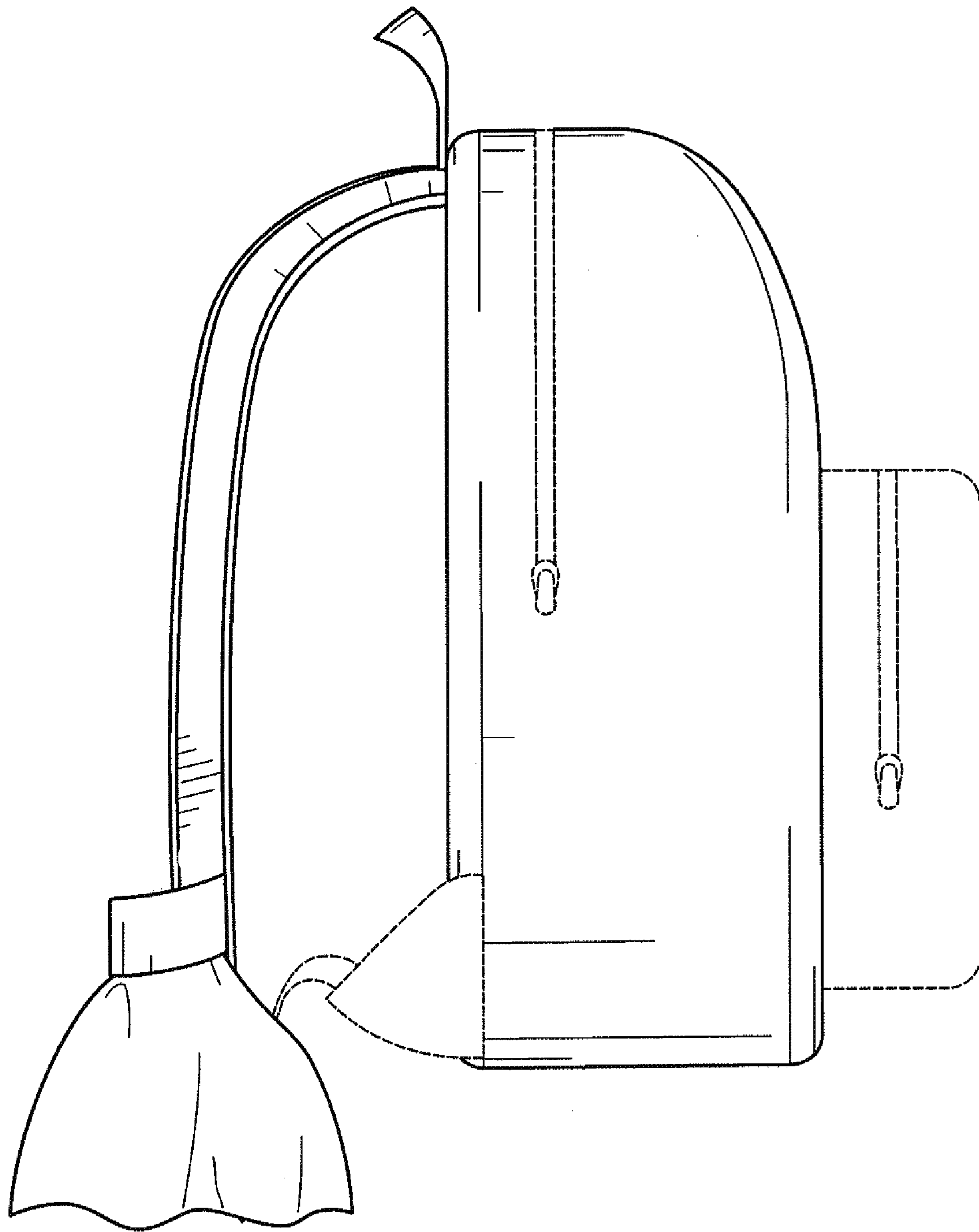


FIG. 5

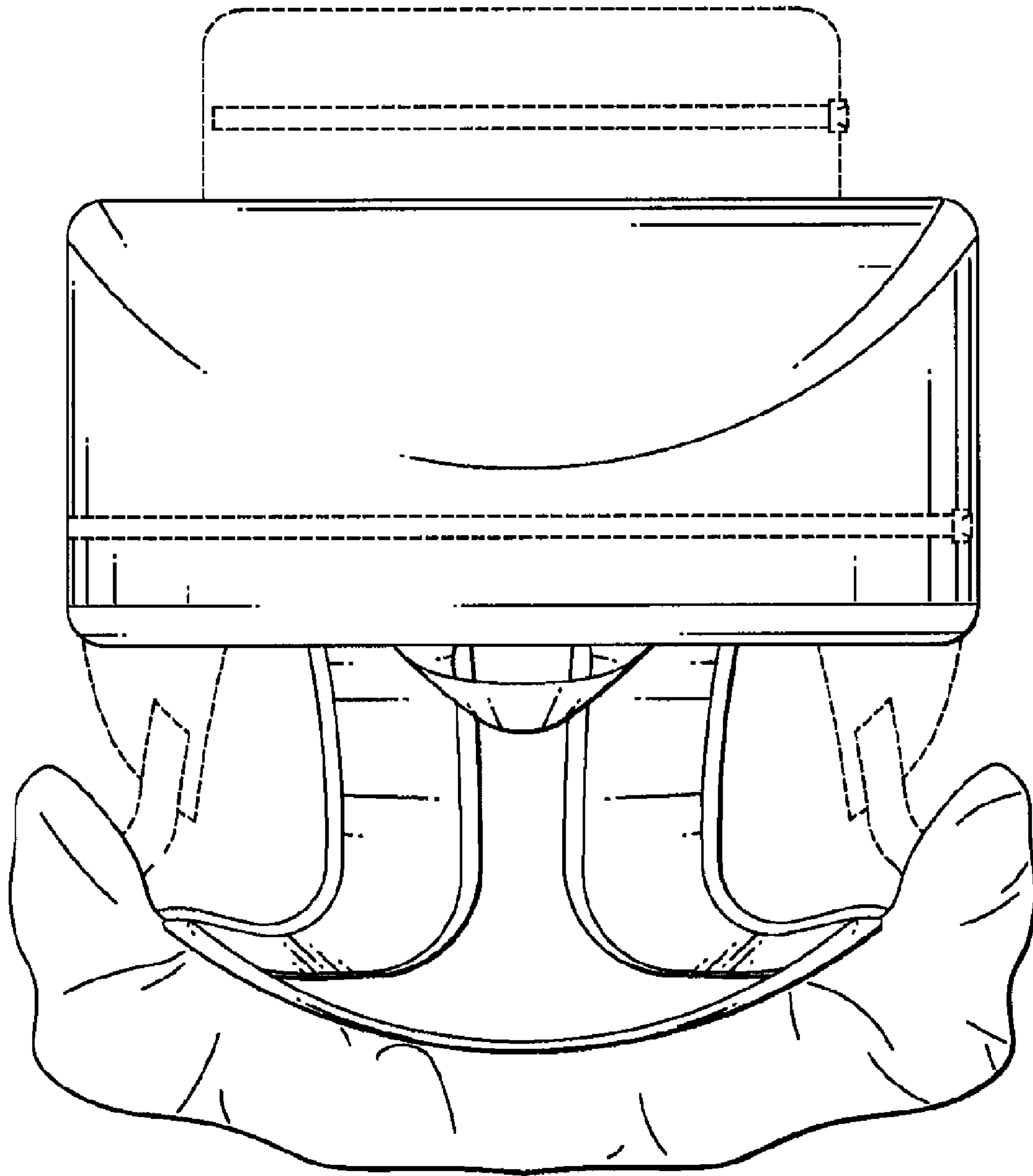


FIG. 6

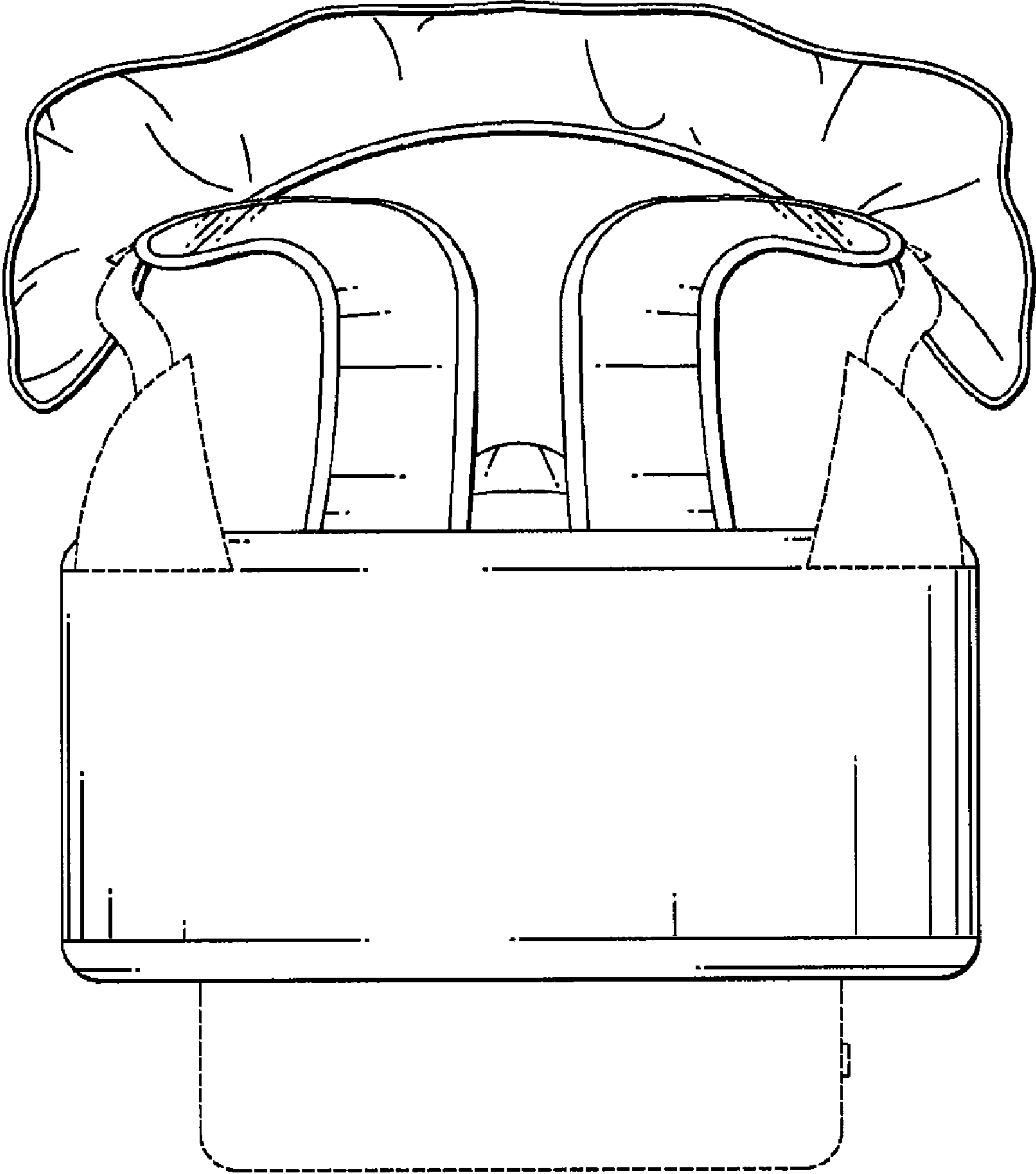


FIG. 7