



US00D677877S

(12) **United States Design Patent**
Ito

(10) **Patent No.:** **US D677,877 S**
(45) **Date of Patent:** **** Mar. 19, 2013**

(54) **WALKING SUPPORT DEVICE**

FOREIGN PATENT DOCUMENTS

(75) Inventor: **Jun Ito**, Wako (JP)

JP D1345984 12/2008
JP 1367230 S 8/2009

(73) Assignee: **Honda Motor Co., Ltd**, Tokyo (JP)

OTHER PUBLICATIONS

(**) Term: **14 Years**

Japanese Office Action dated May 11, 2012, issued in corresponding Japanese Patent Application No. 2011-024754, (English translation, 4 pages).

(21) Appl. No.: **29/418,609**

Russian Office Action dated Nov. 6, 2012, issued in corresponding Russian patent application No. 2012501335, w/ English translation (11 pgs).

(22) Filed: **Apr. 18, 2012**

(30) **Foreign Application Priority Data**

* cited by examiner

Oct. 27, 2011 (JP) 2011-024754

(51) **LOC (9) Cl.** **03-03**

Primary Examiner — Ian Simmons

(52) **U.S. Cl.** **D3/7; D12/130**

Assistant Examiner — Charles D Hanson

(58) **Field of Classification Search** D12/128-133;
280/62, 647-650, 29, 200, 47.38, 35, 250.1,
280/259, 642, 658; 296/65.03, 65.04; 135/65-67,
135/74; D3/5, 7, 10, 17; D24/188

(74) *Attorney, Agent, or Firm* — Westerman, Hattori,
Daniels & Adrian, LLP

See application file for complete search history.

(57) **CLAIM**

The ornamental design for, a walking support device, as shown and described.

(56) **References Cited**

DESCRIPTION

U.S. PATENT DOCUMENTS

420,179	A *	1/1890	Yagn	482/51
438,830	A *	10/1890	Yagn	482/77
440,684	A *	11/1890	Yagn	482/51
2,010,482	A *	8/1935	Cobb	623/31
D261,022	S *	9/1981	Hoskins	D21/771
4,872,665	A *	10/1989	Chaireire	482/51
5,020,790	A *	6/1991	Beard et al.	482/4
6,666,796	B1 *	12/2003	MacCready, Jr.	482/51
D572,464	S *	7/2008	Koshiishi	D3/7
D577,188	S *	9/2008	Koshiishi	D3/7
D577,903	S *	10/2008	Koshiishi	D3/10
D577,919	S *	10/2008	Koshiishi	D6/354
D588,794	S	3/2009	Koshiishi	
D614,412	S	4/2010	Koshiishi	
2006/0276728	A1 *	12/2006	Ashihara et al.	601/5

FIG. 1 is a first perspective view of a walking support device, showing our new design;
FIG. 2 is a second perspective view thereof;
FIG. 3 is a front elevation view thereof;
FIG. 4 is a rear elevation view thereof;
FIG. 5 is a top plan view thereof; and,
FIG. 6 is a right side elevation view thereof.
The broken line showing of is included for the purpose of illustrating environment and forms no part of the claimed design.

1 Claim, 6 Drawing Sheets

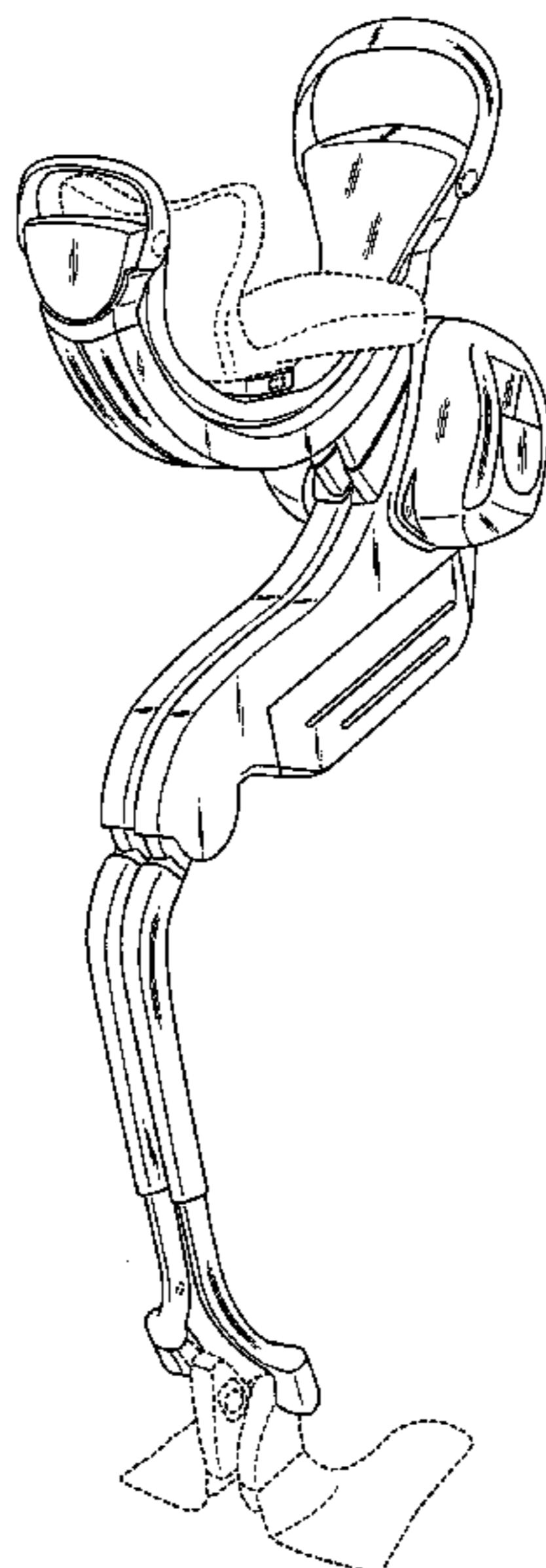


Fig. 1

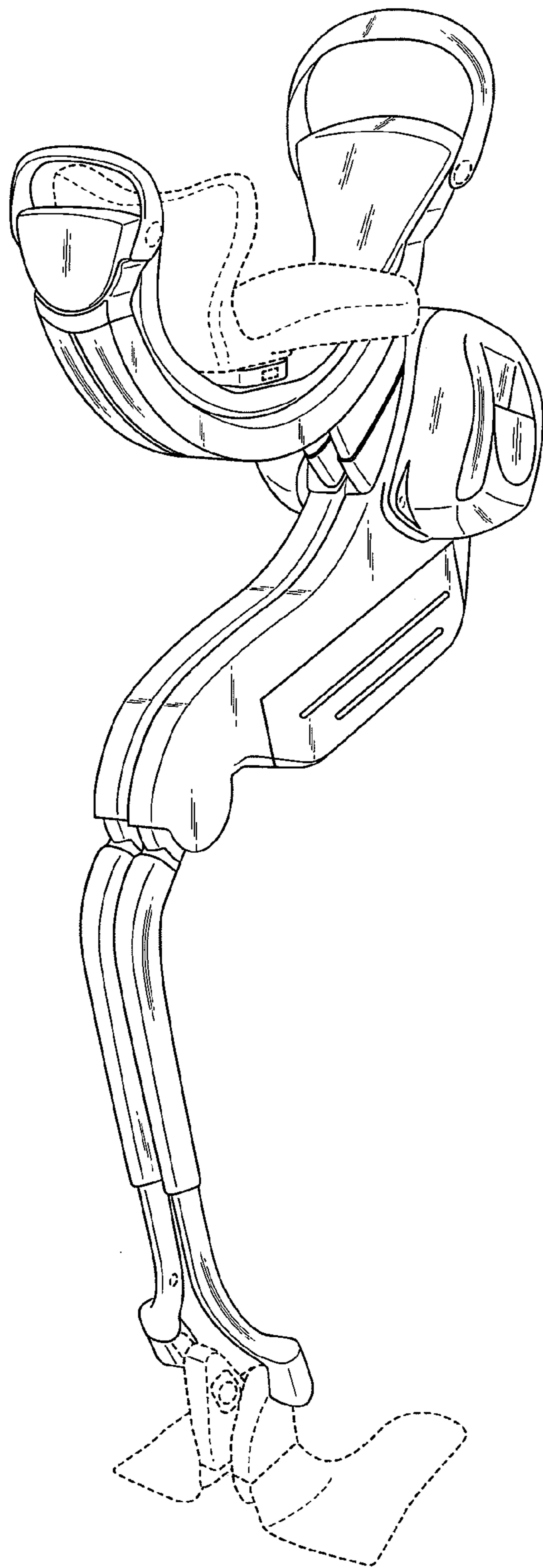


Fig. 2

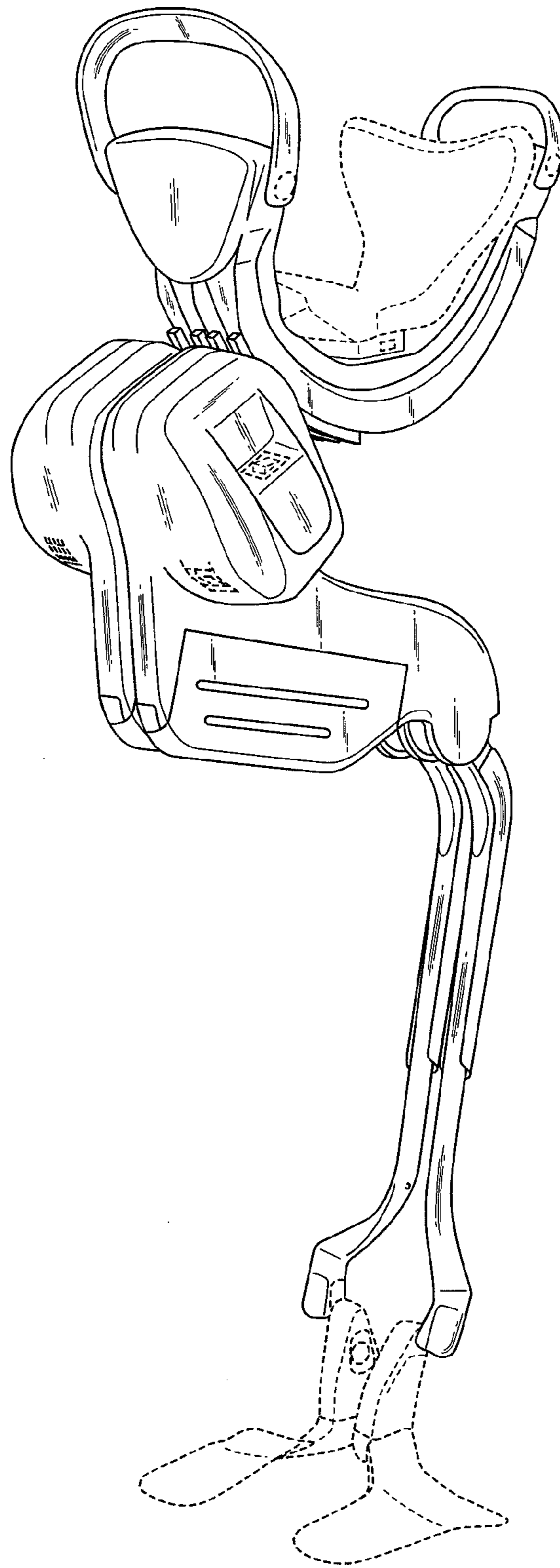


Fig. 3

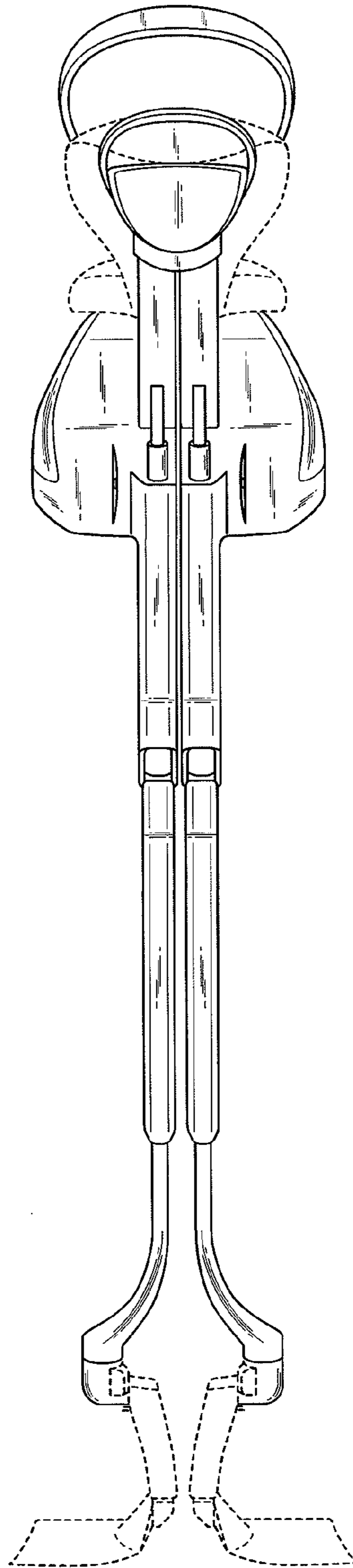


Fig. 4

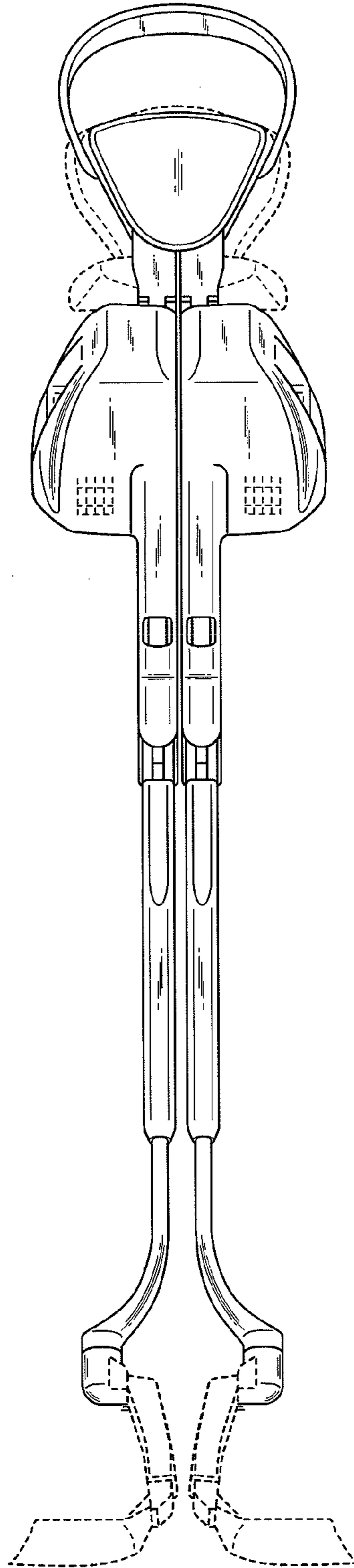


Fig. 5

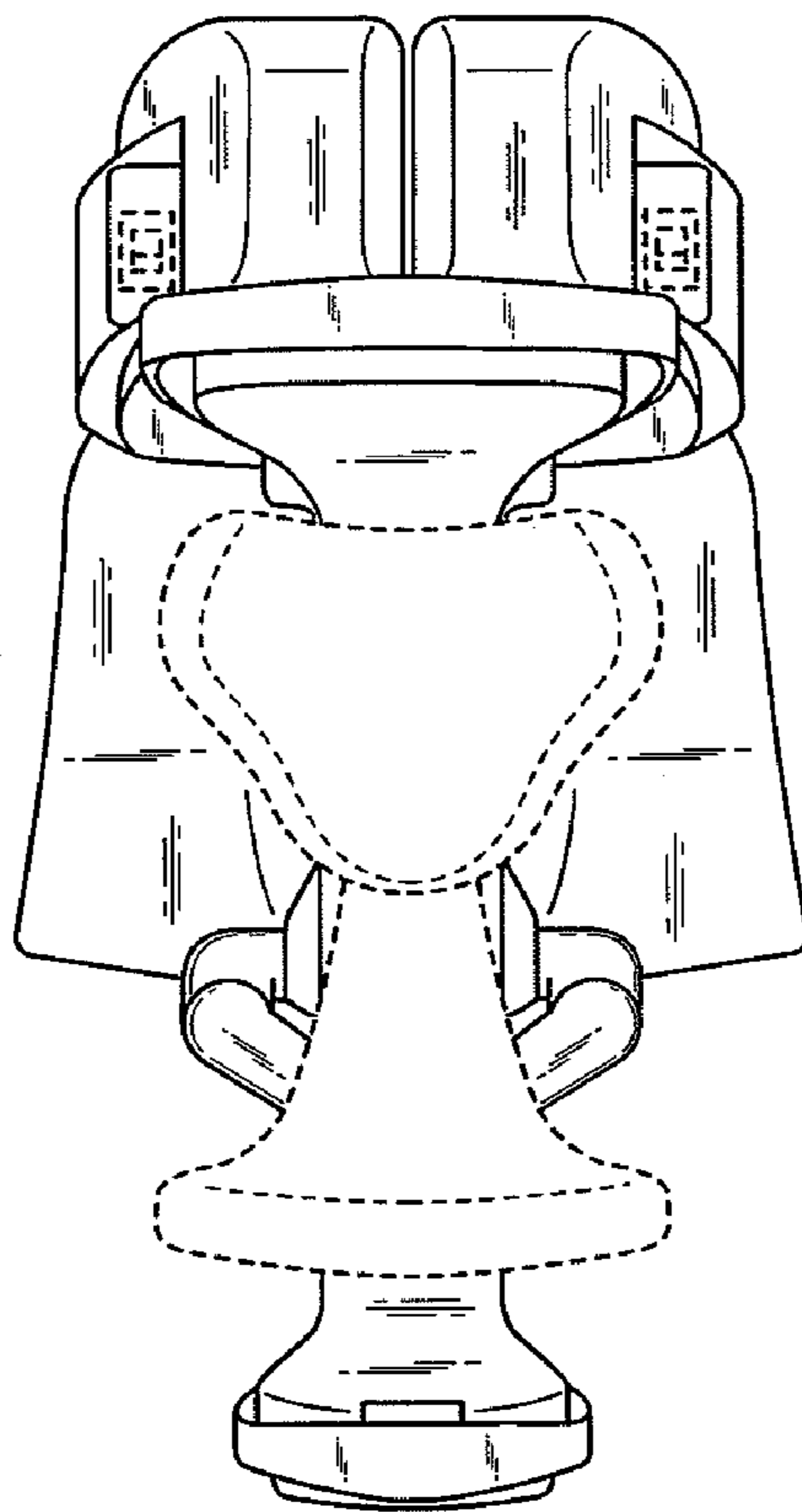


Fig. 6

