



US00D677870S

(12) **United States Design Patent**
Healy et al.

(10) **Patent No.:** **US D677,870 S**
(45) **Date of Patent:** **** Mar. 19, 2013**

(54) **SUSPENSION HEEL**

(75) Inventors: **John Healy**, Madbury, NH (US); **Peter Dillon**, Topsfield, MA (US); **Christopher Adam**, Newburyport, MA (US)

(73) Assignee: **The Timberland Company**, Stratham, NH (US)

(**) Term: **14 Years**

(21) Appl. No.: **29/428,020**

(22) Filed: **Jul. 25, 2012**

Related U.S. Application Data

(62) Division of application No. 29/376,693, filed on Oct. 11, 2010, now Pat. No. Des. 666,402.

(51) **LOC (9) Cl.** **02-04**

(52) **U.S. Cl.** **D2/965**

(58) **Field of Classification Search** D2/896,
D2/918, 925, 926, 927, 928, 929, 931, 932-942,
D2/946, 947, 948, 949, 950, 964, 965, 966,
D2/967, 968; 36/83, 131, 34 R, 35 R, 36 A,
36/36 B, 36 C, 37, 38, 35 A, 35 B, 39, 40,
36/41, 42, 34 A, 34 B

See application file for complete search history.

(56) **References Cited**

U.S. PATENT DOCUMENTS

D99,700 S *	5/1936	Calderazzo	D2/966
D110,122 S	6/1938	Liff		
2,126,669 A *	8/1938	Ryberg	36/34 R
D119,486 S *	3/1940	Coen	D2/965
2,212,263 A *	8/1940	Convy	36/34 B
2,288,388 A	6/1942	Bolten et al.		
2,328,319 A	8/1943	Barton et al.		
2,364,744 A *	12/1944	Morris	36/34 B
2,508,318 A	5/1950	Wallach		
2,934,840 A	5/1960	Mistarz et al.		
D201,863 S *	8/1965	Goldberg	D2/965
3,822,490 A	7/1974	Murawski		
D258,549 S	3/1981	Goldman		
D258,620 S	3/1981	Goldman		

D258,621 S	3/1981	Goldman		
D347,937 S	6/1994	Garland		
6,021,586 A	2/2000	Bucalo et al.		
6,406,038 B2	6/2002	Adams		
6,711,835 B1	3/2004	Militello		
6,746,026 B2	6/2004	Adams		
D495,481 S *	9/2004	Cohen	D2/964
7,059,068 B2	6/2006	Magallanes et al.		
D535,087 S *	1/2007	Amado et al.	D2/965
D563,638 S *	3/2008	Guers-Neyrud	D2/965
D590,143 S *	4/2009	Guers-Neyraud	D2/965

(Continued)

FOREIGN PATENT DOCUMENTS

KR 20-1993-0000117 1/1993

OTHER PUBLICATIONS

International Search Report and Written Opinion for PCT/US2011/055762 mailed May 11, 2012.

Primary Examiner — Elizabeth J Oswecki

(74) *Attorney, Agent, or Firm* — Lerner, David, Littenberg, Krumholz & Mentlik, LLP

(57) **CLAIM**

The ornamental design for a suspension heel, as shown and described.

DESCRIPTION

FIG. 1 is a perspective view of a suspension heel showing our new design;

FIG. 2 is a front elevation view of the suspension heel of FIG. 1;

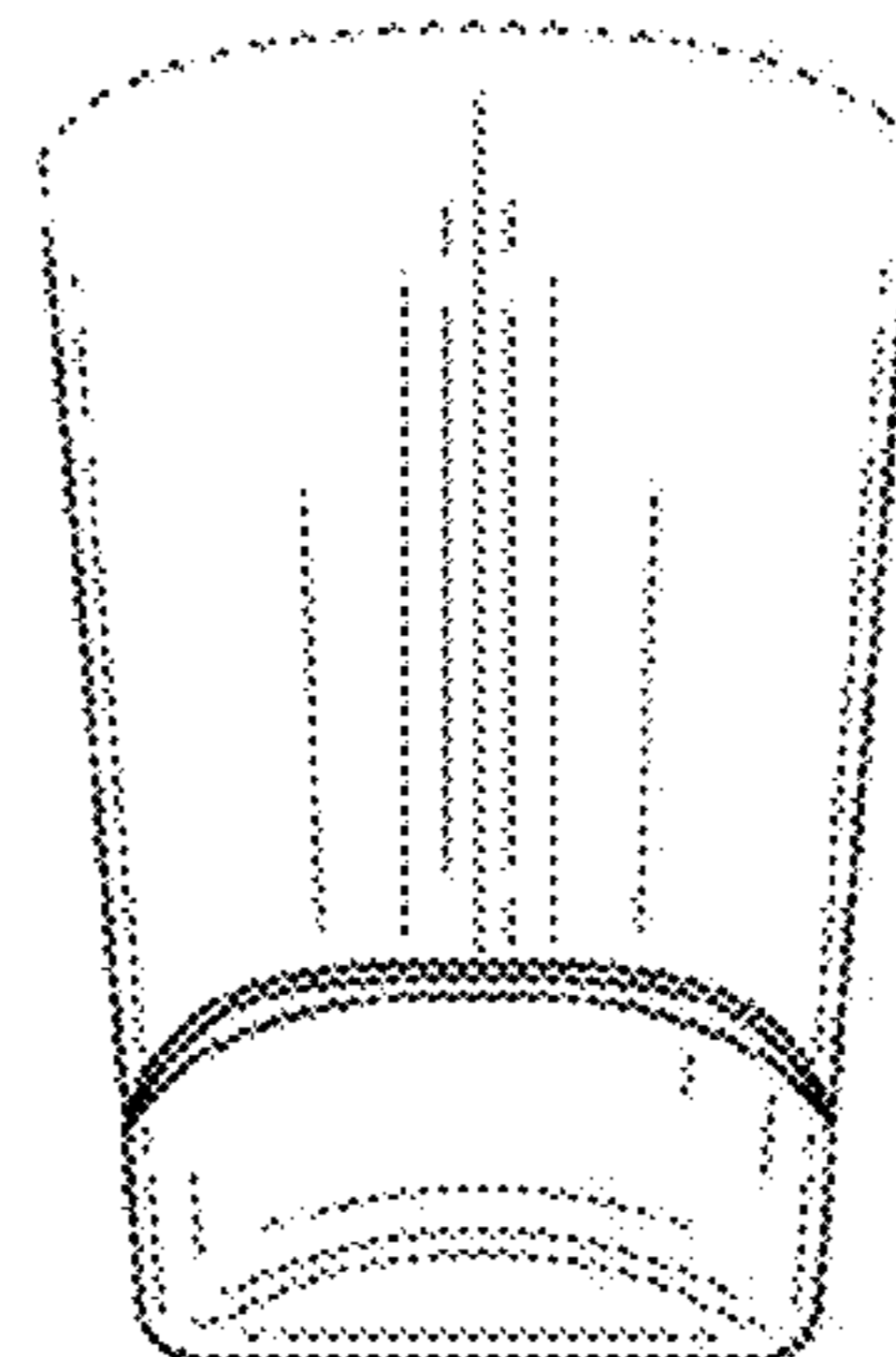
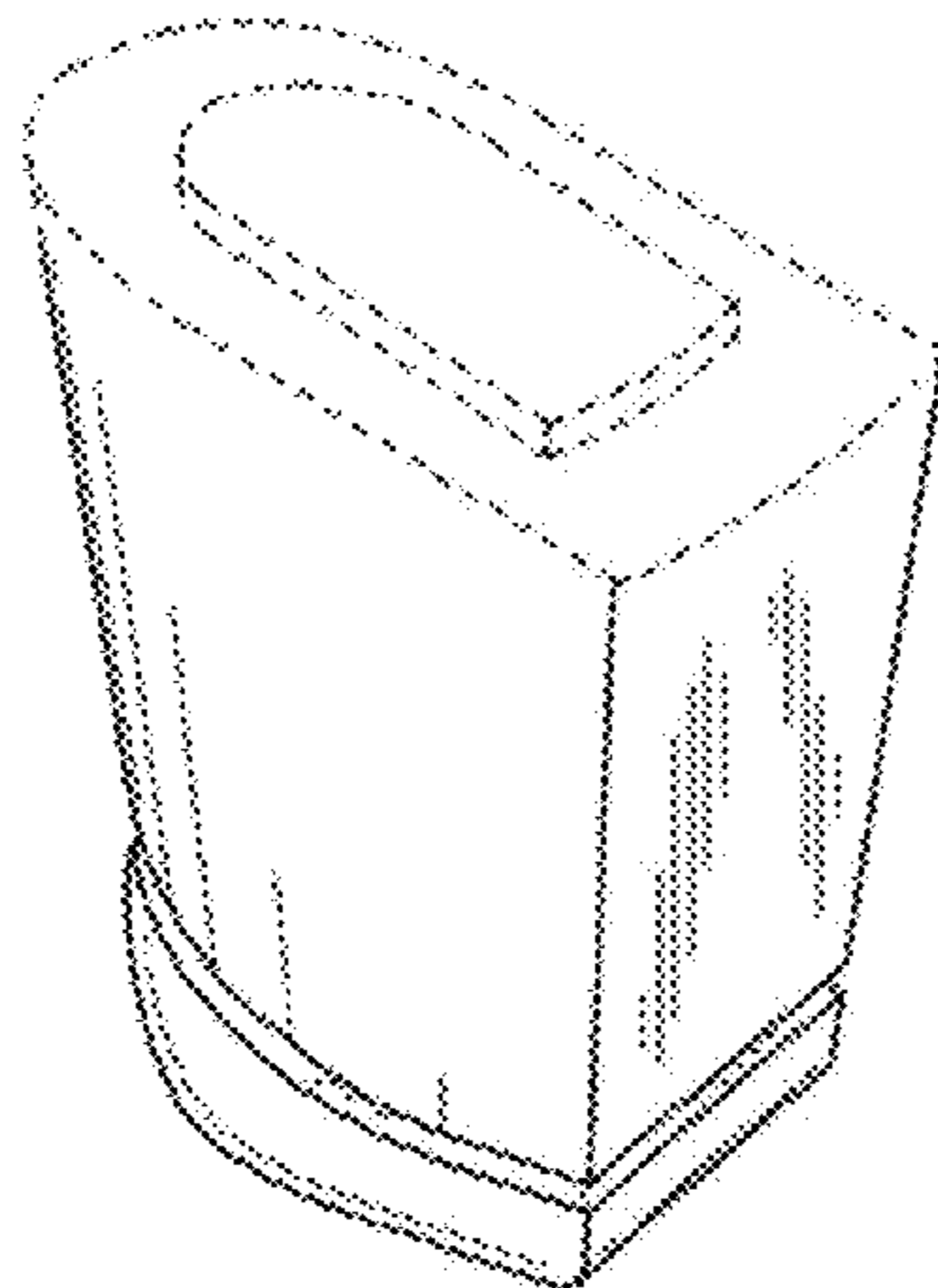
FIG. 3 is a rear elevation view of the suspension heel of FIG. 1;

FIG. 4 is a left side elevation view of the suspension heel of FIG. 1, the right side view being a mirror image of the left side view;

FIG. 5 is top plan view of the suspension heel of FIG. 1; and, FIG. 6 is a bottom plan view of the suspension heel of FIG. 1.

The broken lines shown in the drawings represent portions of the suspension heel that form no part of the claimed design.

1 Claim, 3 Drawing Sheets



US D677,870 S

Page 2

U.S. PATENT DOCUMENTS

D605,840 S	12/2009	Schwartz		D665,980 S *	8/2012	Ruano Cerdan et al.	D2/965
D612,590 S	3/2010	Guers-Neyraud		D666,402 S *	9/2012	Healy et al.	D2/965
D631,647 S	2/2011	Hipshman		2006/0101670 A1	5/2006	Bucalo	
D632,469 S *	2/2011	Guers-Neyraud	2009/0133291 A1	5/2009	Frasconi et al.	
D647,291 S *	10/2011	Ringholz	2009/0139111 A1	6/2009	Joseph	
D662,297 S *	6/2012	Ringholz				

* cited by examiner

FIG. 1

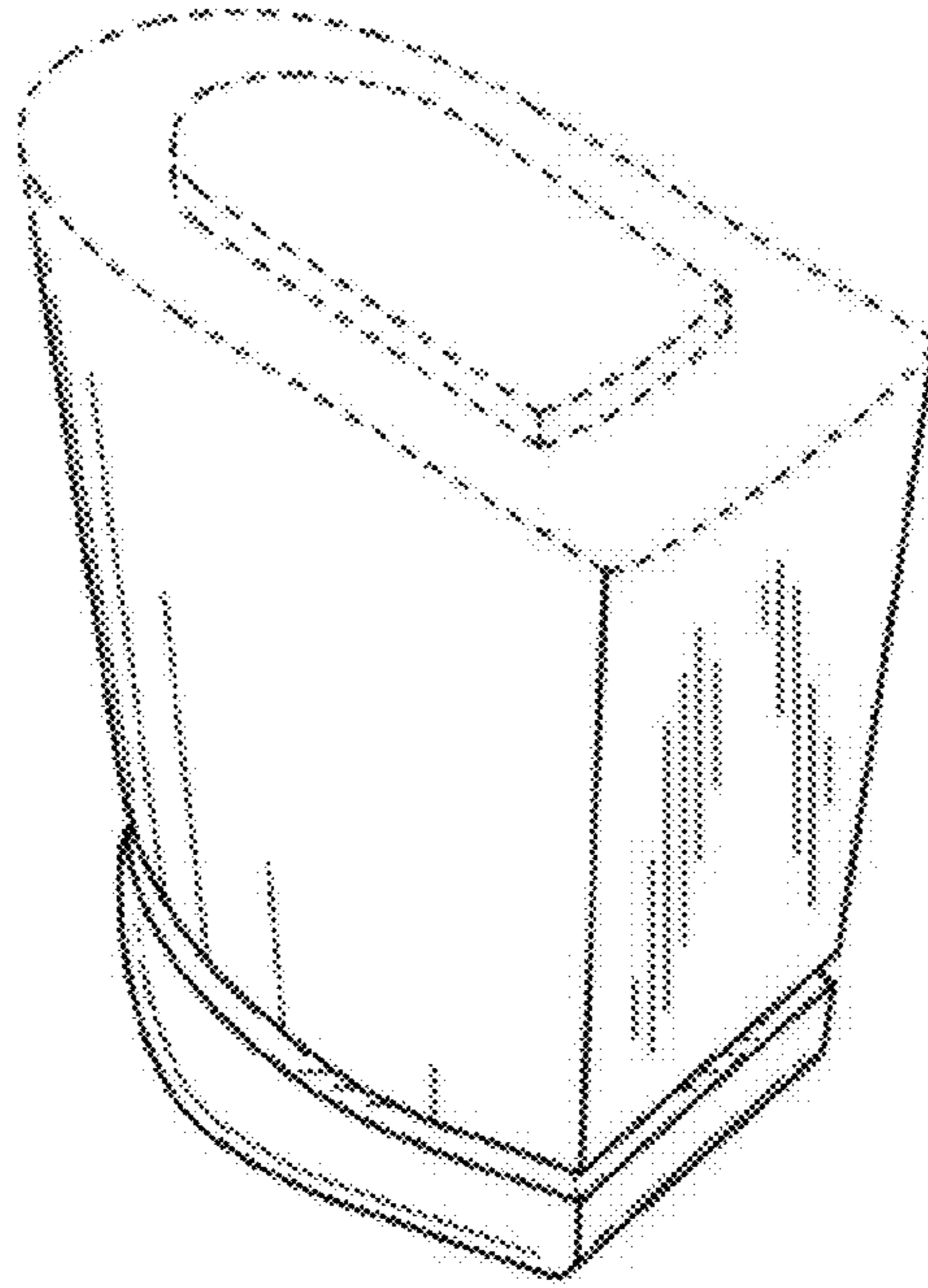


FIG. 2

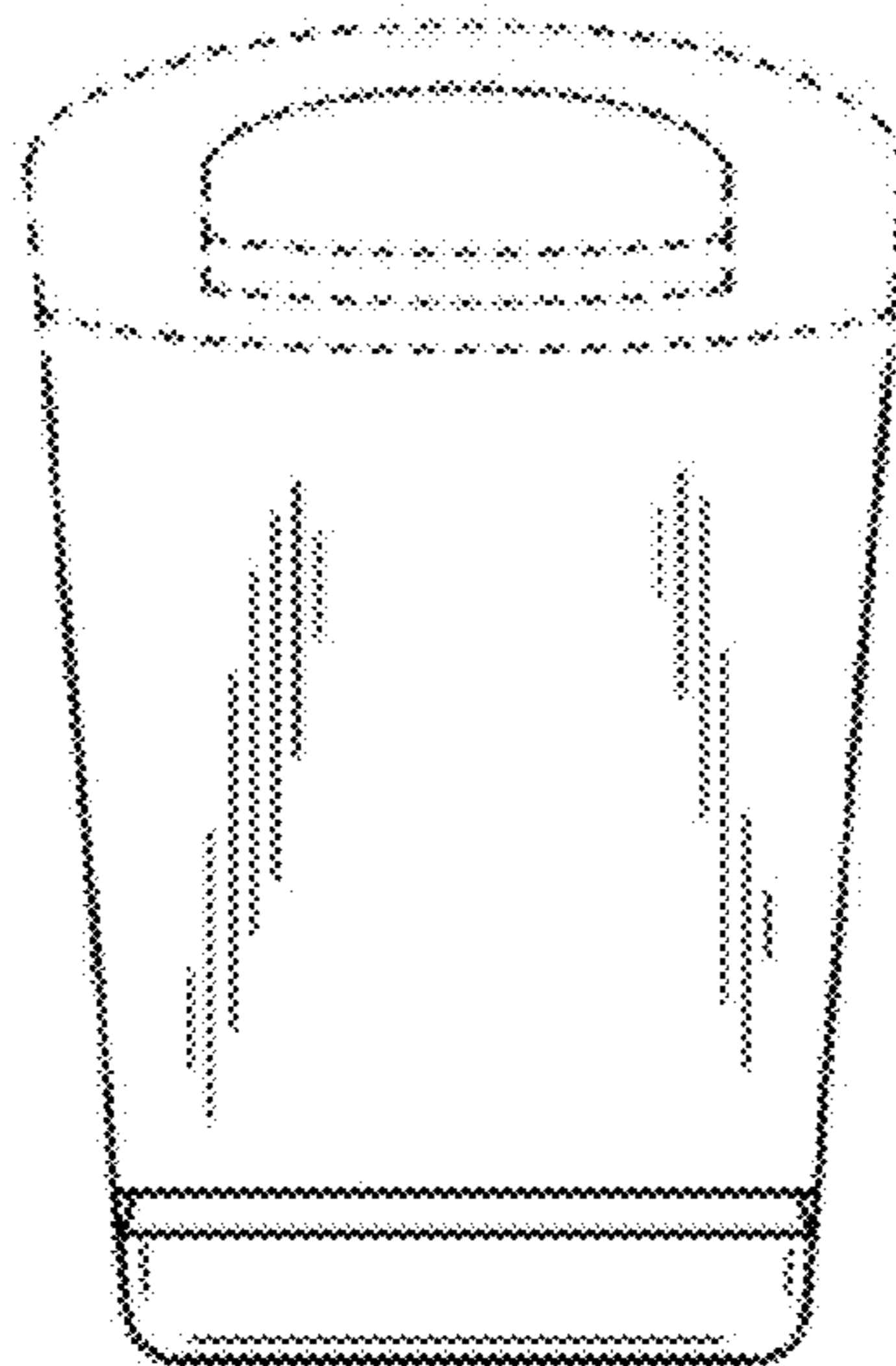


FIG. 3

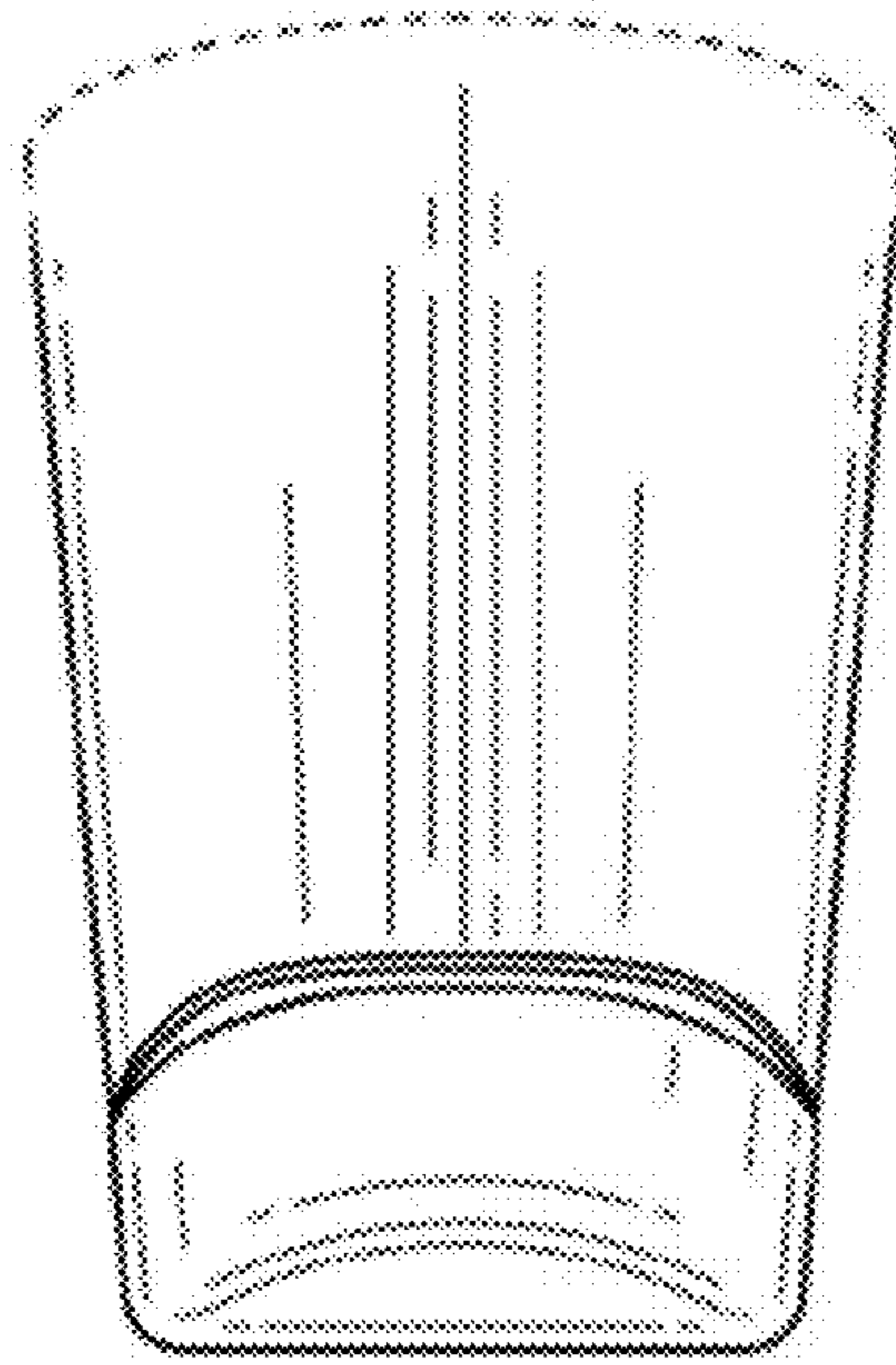


FIG. 4

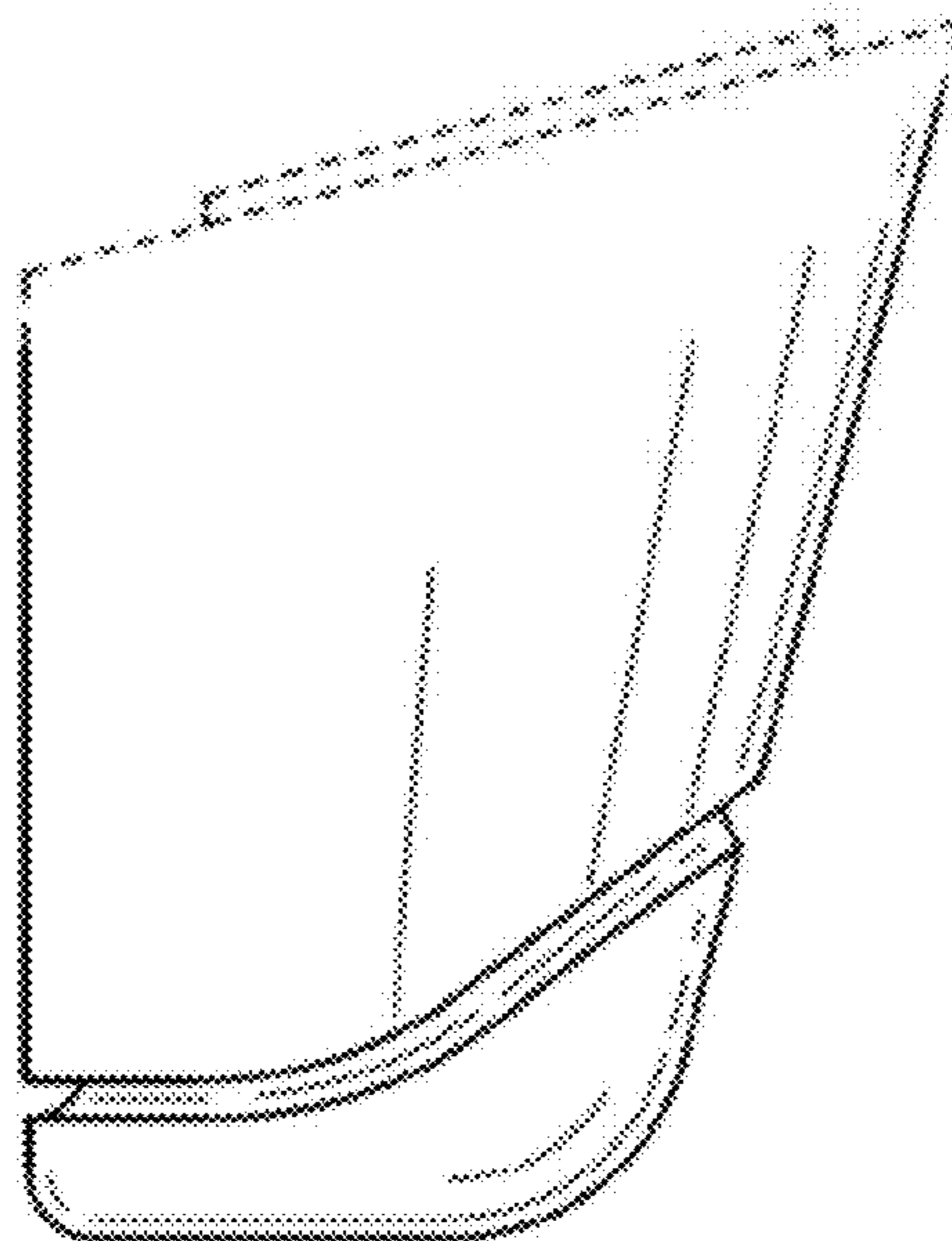


FIG. 5

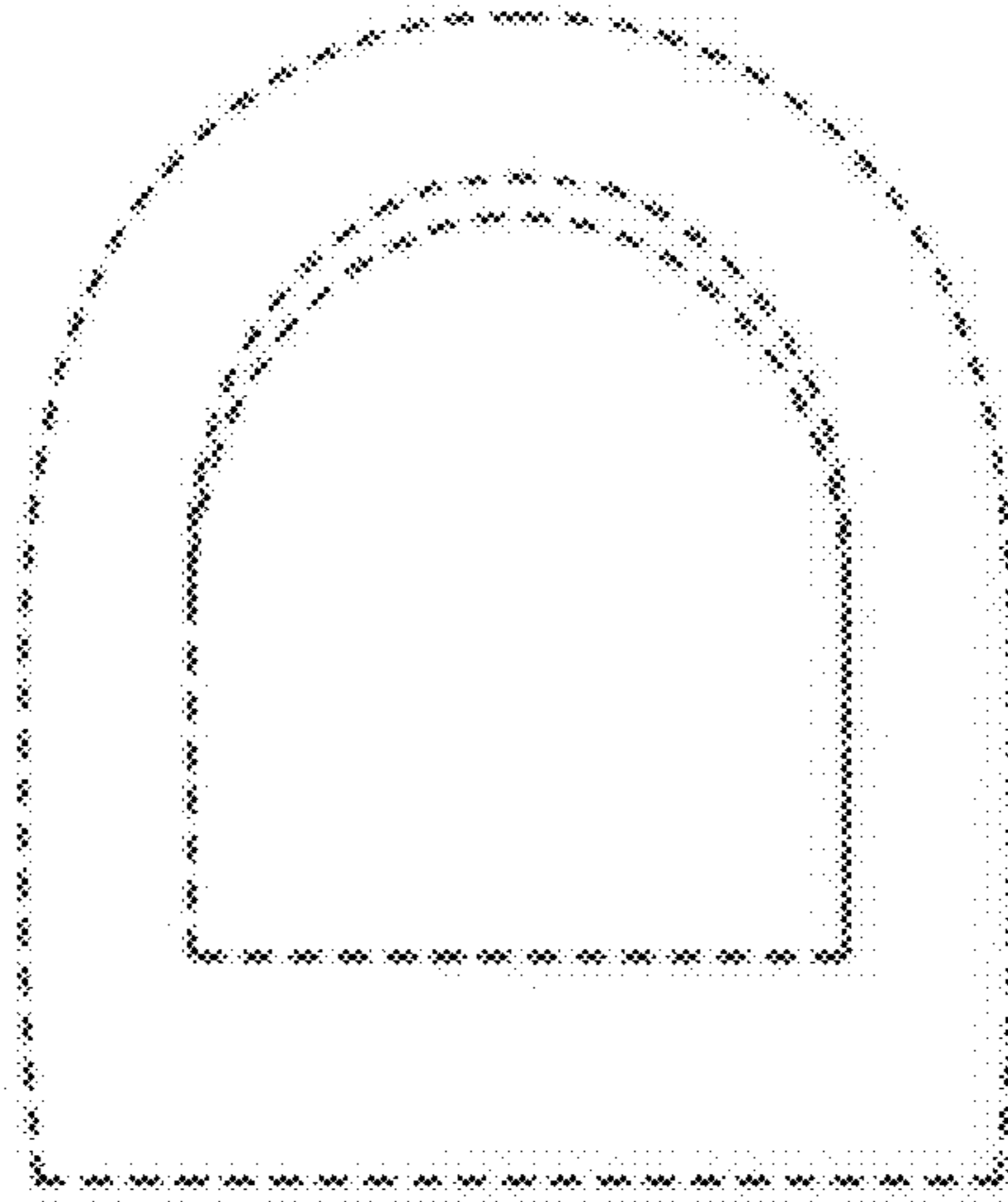


FIG. 6

