



US00D677867S

(12) **United States Design Patent**
Bizzo

(10) **Patent No.:** **US D677,867 S**
(45) **Date of Patent:** **** Mar. 19, 2013**

(54) **SHOE SOLE**
(75) Inventor: **Luca Bizzo**, Holmdel, NJ (US)
(73) Assignee: **Aerogroup International Holdings LLC**, Edison, NJ (US)
(**) Term: **14 Years**
(21) Appl. No.: **29/381,005**
(22) Filed: **Dec. 14, 2010**
(51) **LOC (9) Cl.** **02-04**
(52) **U.S. Cl.** **D2/950; D2/947**
(58) **Field of Classification Search** D2/902,
D2/906, 908, 916, 918, 925, 946-962, 977;
36/3 B, 22 R, 24.5, 25 R, 28, 32 R, 34 R,
36/59 C, 67 A, 103
See application file for complete search history.

D501,293 S 2/2005 Bizzo
D503,521 S 4/2005 Bizzo
D503,847 S 4/2005 Bizzo
D508,306 S 8/2005 Amado et al.
D513,358 S 1/2006 Amado et al.
D533,991 S 12/2006 Amado et al.
D534,344 S 1/2007 Amado et al.
D535,087 S 1/2007 Amado et al.
D535,462 S 1/2007 Amado et al.
D542,215 S 5/2007 Jackson et al.
D542,513 S 5/2007 Amado et al.
D542,514 S 5/2007 Amado et al.
D545,034 S 6/2007 Amado et al.
D553,335 S 10/2007 Amado et al.
D556,431 S 12/2007 Amado et al.
D556,437 S 12/2007 Amado et al.
D566,932 S 4/2008 Amado et al.
D575,039 S 8/2008 Amado et al.
D576,779 S * 9/2008 Belley et al. D2/952
D583,136 S 12/2008 Amado et al.
D586,987 S * 2/2009 McClaskie D2/952

(Continued)

(56) **References Cited**

U.S. PATENT DOCUMENTS

D112,077 S * 11/1938 Levin D2/950
D121,165 S * 6/1940 Levin D2/950
D121,671 S * 7/1940 Cocozella D2/965
D131,587 S * 3/1942 Bergman D2/916
2,755,567 A * 7/1956 Rudine 36/11.5
2,946,140 A * 7/1960 Lockridge 36/19.5
D255,618 S * 7/1980 Artstein D2/950
D259,298 S * 5/1981 Famolare, Jr. D2/950
D265,692 S * 8/1982 Famolare, Jr. D2/950
D266,798 S * 11/1982 Famolare, Jr. D2/950
D268,966 S * 5/1983 Smith D2/916
D307,816 S 5/1990 Schneider
D307,817 S 5/1990 Schneider
D312,166 S * 11/1990 Smith D2/902
D316,627 S 5/1991 Schneider
D322,153 S 12/1991 Schneider et al.
D323,739 S 2/1992 Kaiser
5,203,792 A 4/1993 Kaiser
D365,920 S 1/1996 Schneider
D372,115 S 7/1996 Schneider
D394,342 S 5/1998 Schneider
D401,040 S 11/1998 Schneider
D401,041 S 11/1998 Schneider
D427,758 S 7/2000 Schneider
D487,618 S 3/2004 Amado et al.

Primary Examiner — T. Chase Nelson

(74) *Attorney, Agent, or Firm* — Andrew F. Young, Esq.;
Lackebach Siegel, LLP

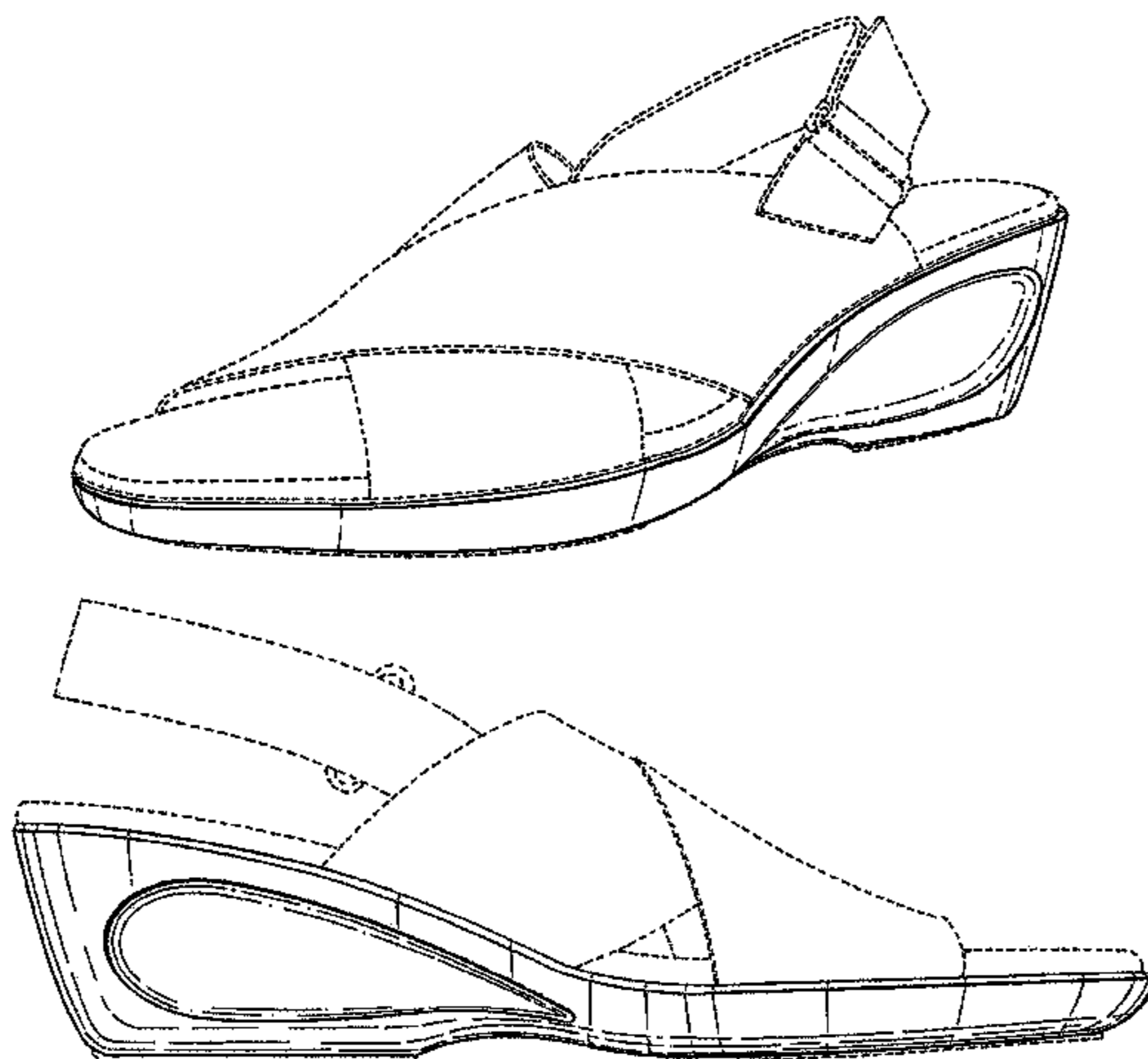
(57) **CLAIM**

The ornamental design for a shoe sole, as shown and described.

DESCRIPTION

FIG. 1 is a front perspective of a shoe sole.
FIG. 2 is a right side elevational view of the shoe sole of FIG. 1.
FIG. 3 is a left side elevational view of the shoe sole of FIG. 1.
FIG. 4 is a front elevational view of the shoe sole of FIG. 1.
FIG. 5 is a rear elevational view of the shoe sole of FIG. 1; and,
FIG. 6 is a bottom view of the shoe sole of FIG. 1.
The broken line showing of portions of the shoe sole, as well as of the shoe, are for purposes of illustrating environmental structure and portions of the shoe sole that form no part of the claimed design.

1 Claim, 5 Drawing Sheets



US D677,867 S

Page 2

U.S. PATENT DOCUMENTS

D592,388 S *	5/2009	Issler	D2/952	D630,421 S	1/2011	Zappiello	
D608,994 S *	2/2010	McClaskie	D2/952	D634,525 S	3/2011	Bizzo	
D611,692 S	3/2010	Bizzo		D635,339 S *	4/2011	Smith	D2/946
D614,839 S	5/2010	Bizzo		D635,341 S	4/2011	Bizzo	
D622,491 S *	8/2010	McClaskie	D2/952	D653,022 S *	1/2012	McClaskie	D2/952
7,797,779 B2	9/2010	Bizzo		D654,675 S *	2/2012	McClaskie	D2/952
D625,496 S *	10/2010	McClaskie	D2/952	D654,676 S *	2/2012	McClaskie	D2/952
D625,908 S *	10/2010	McClaskie	D2/952	D655,900 S *	3/2012	McClaskie	D2/951
D626,317 S *	11/2010	McClaskie	D2/952	D662,294 S *	6/2012	McClaskie	D2/951
D626,732 S *	11/2010	McClaskie	D2/952	D664,341 S *	7/2012	McClaskie	D2/952
D627,143 S	11/2010	Bizzo		8,256,142 B2 *	9/2012	Igdari	36/44
D628,370 S *	12/2010	McClaskie	D2/952				

* cited by examiner

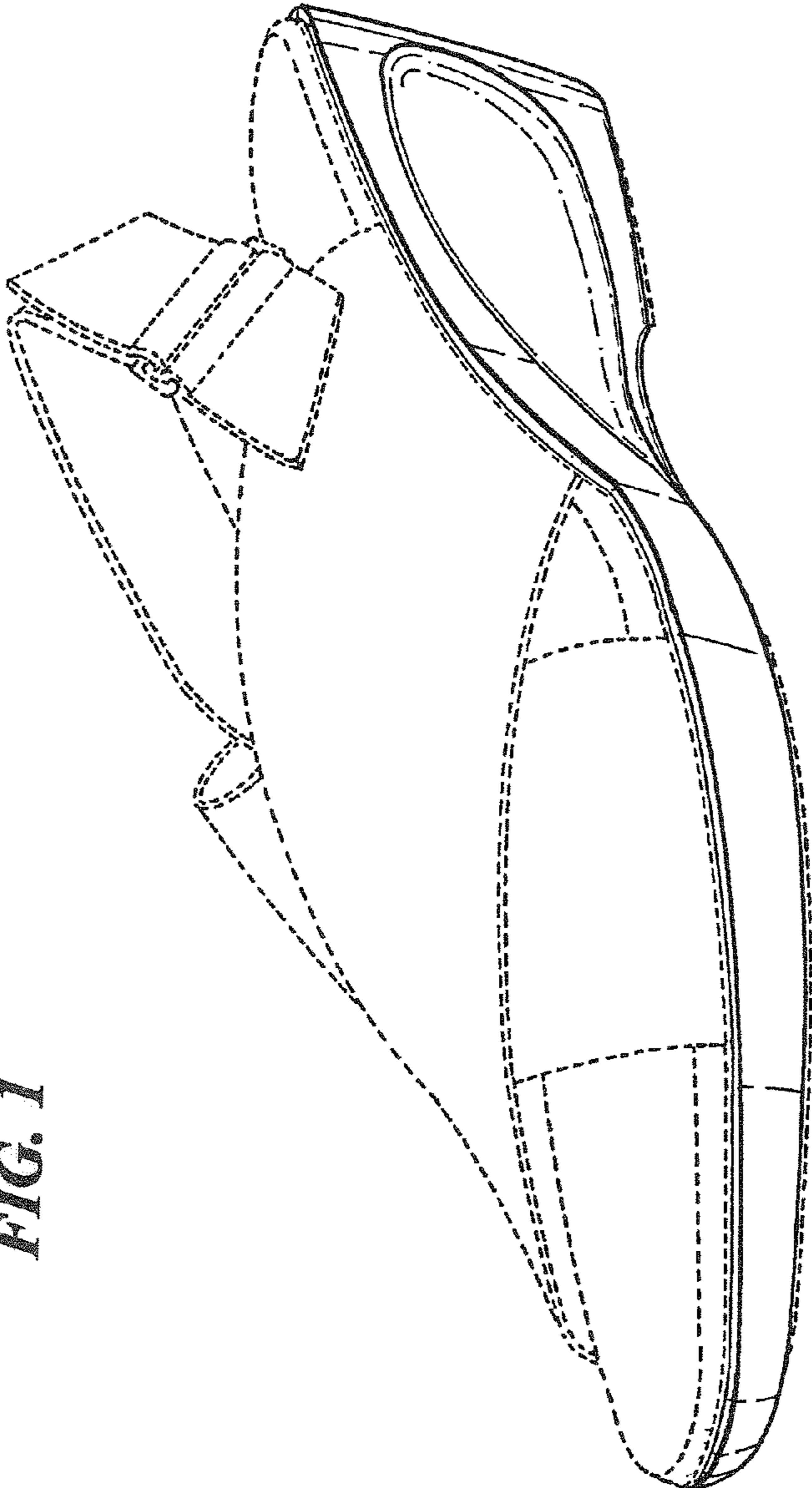


FIG. 1

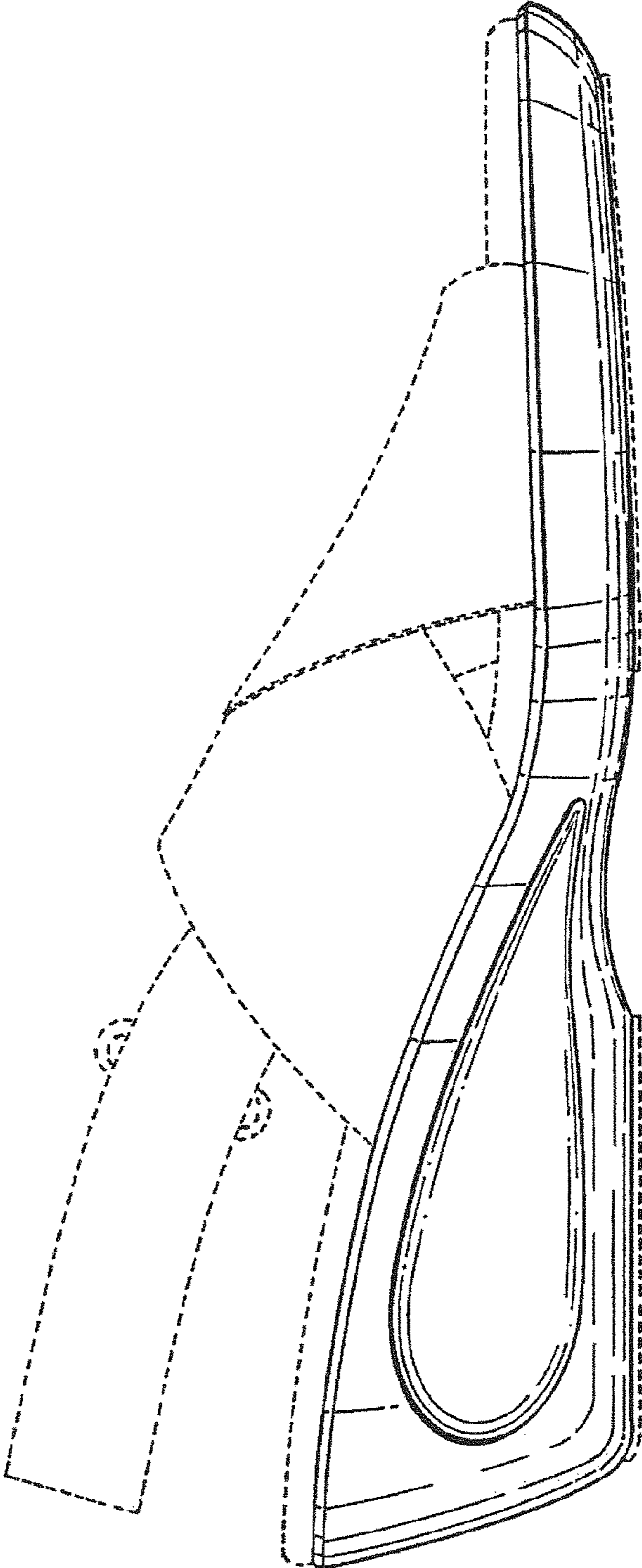


FIG. 2

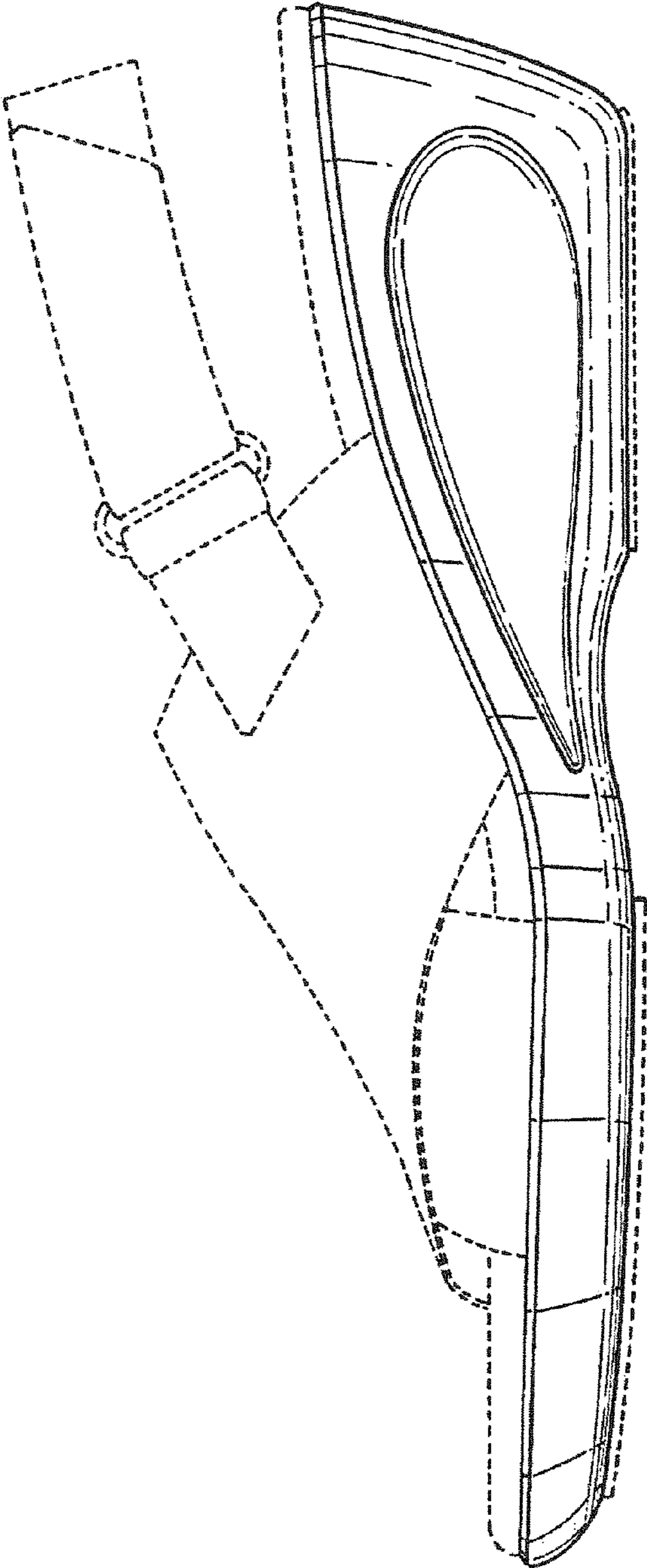


FIG. 3

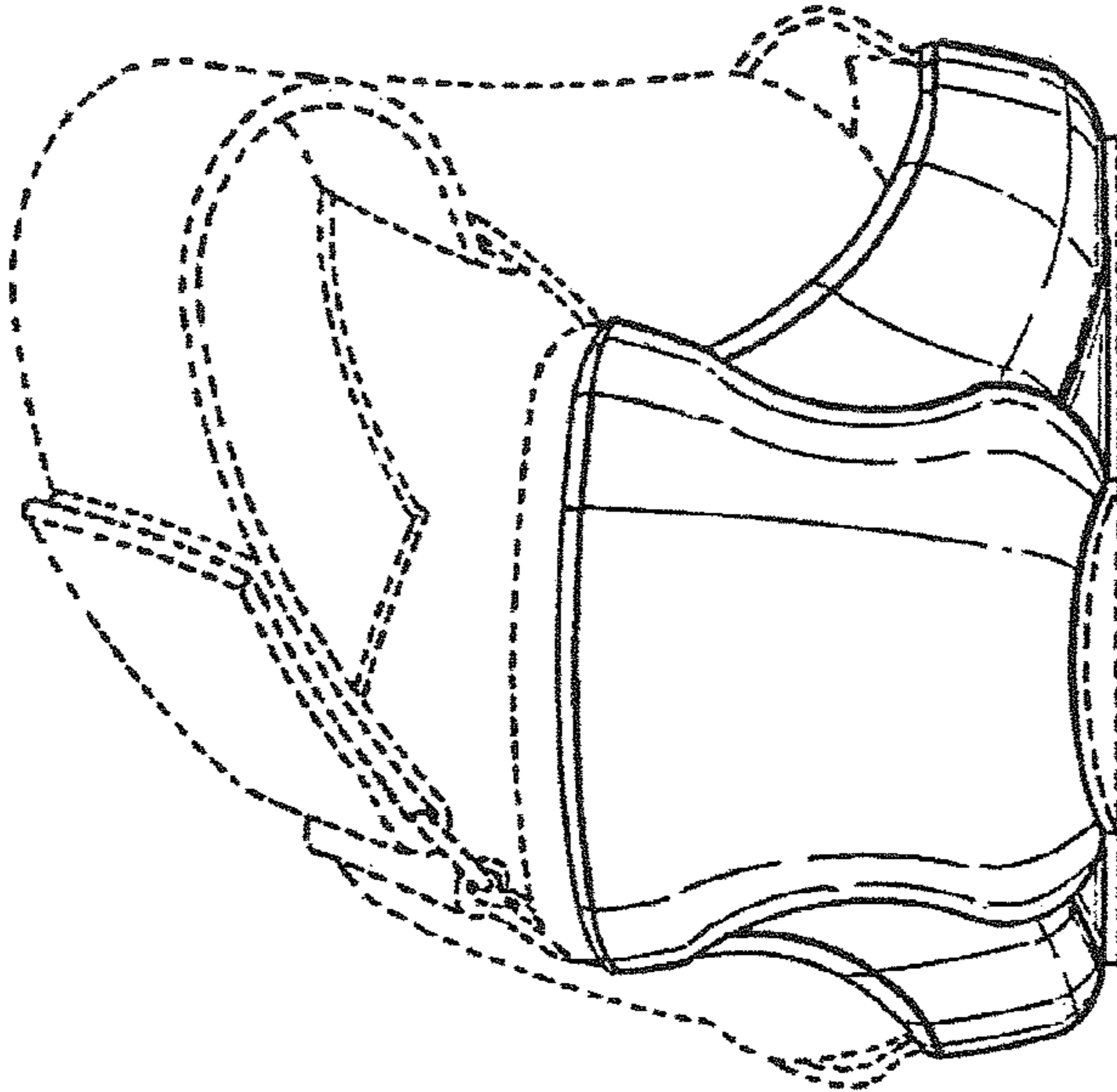


FIG. 5

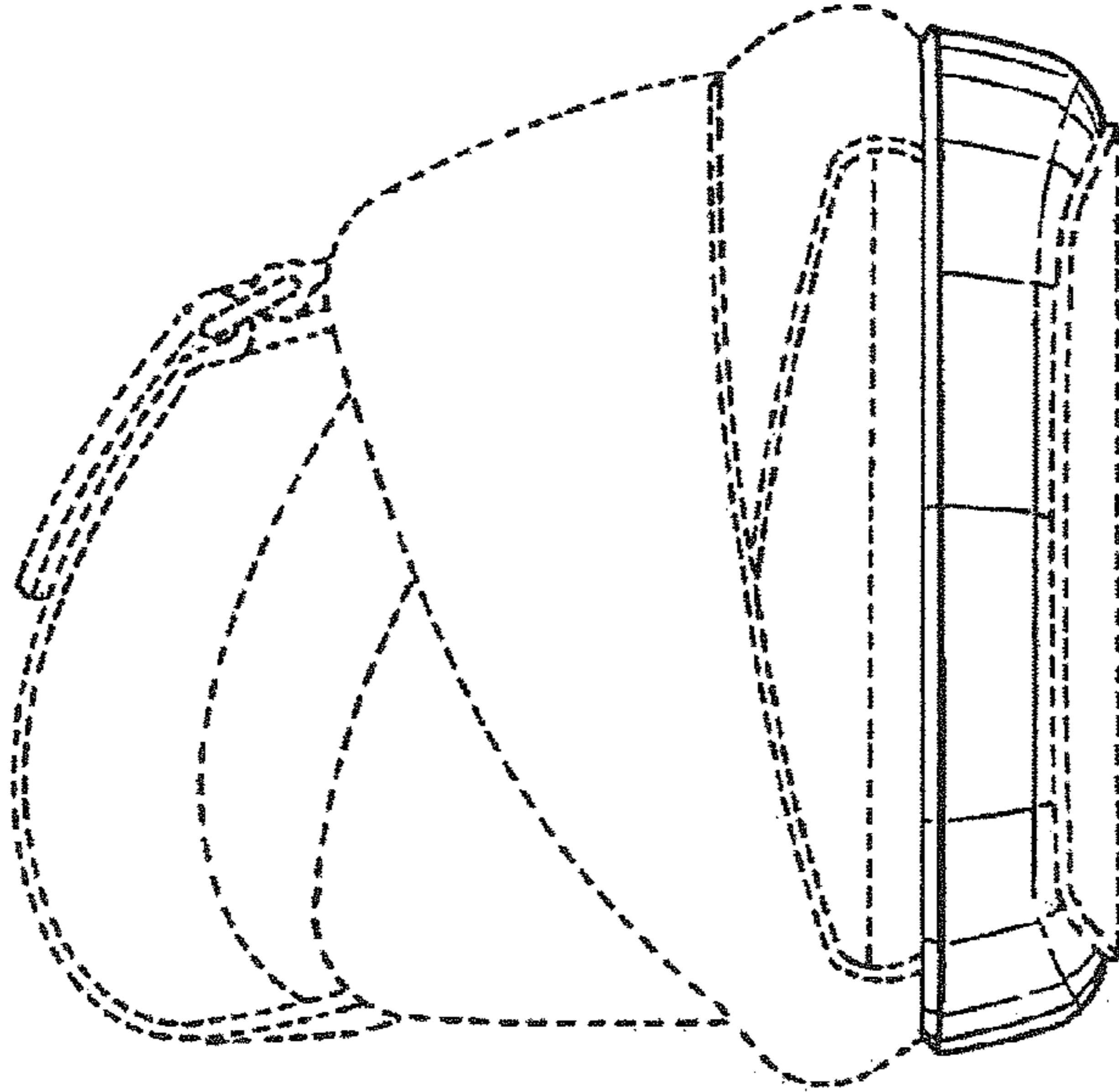


FIG. 4

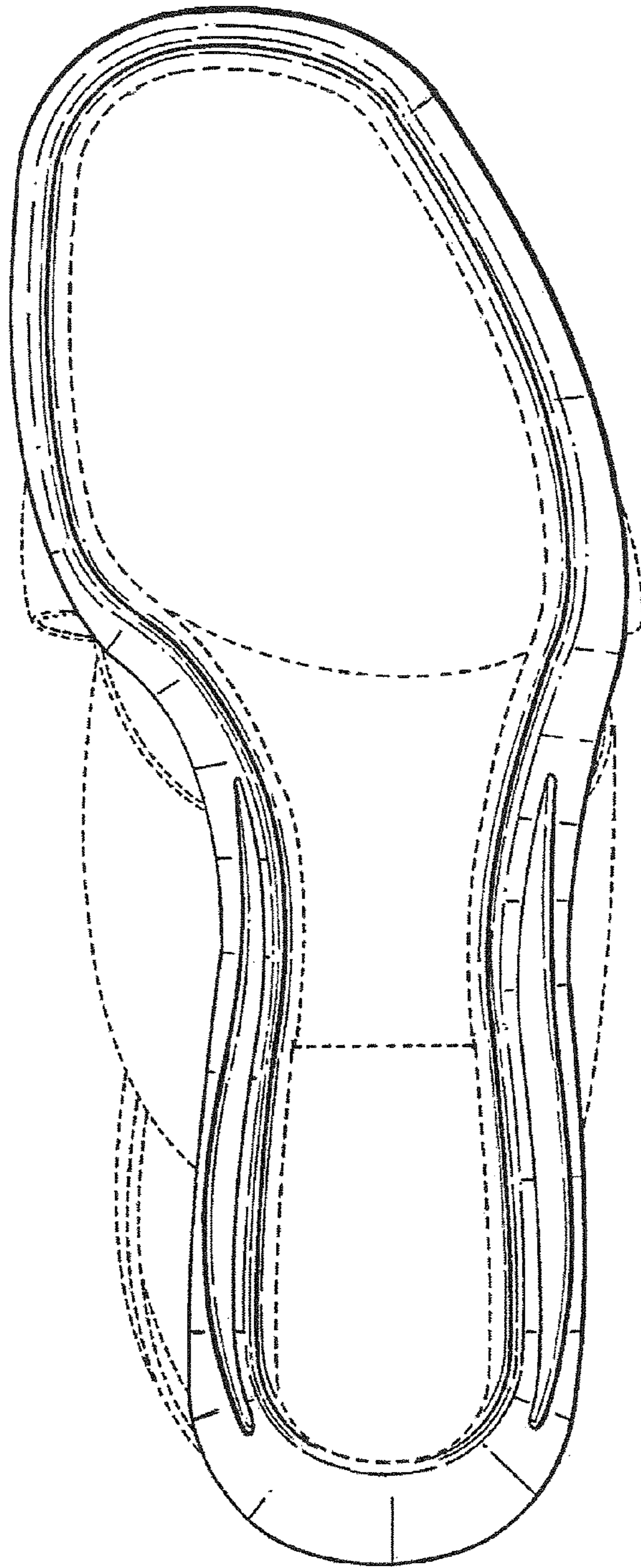


FIG. 6