



US00D677860S

(12) **United States Design Patent**
Kim

(10) **Patent No.:** **US D677,860 S**
(45) **Date of Patent:** **** Mar. 19, 2013**

(54) **COMBINATION TOWEL, PONCHO AND HOOD**

(76) Inventor: **Richard Kim**, Los Angeles, CA (US)

(**) Term: **14 Years**

(21) Appl. No.: **29/420,947**

(22) Filed: **May 15, 2012**

(51) **LOC (9) Cl.** **02-02**

(52) **U.S. Cl.** **D2/825; D2/823; D2/824**

(58) **Field of Classification Search** D2/829,
D2/733, 734, 741, 745, 823-826; D11/121;
2/67, 84; 428/78

See application file for complete search history.

(56) **References Cited**

U.S. PATENT DOCUMENTS

D312,371	S	*	11/1990	Lawson	D6/595
5,875,492	A		3/1999	Moss		
5,884,331	A		3/1999	Barajas		
D410,382	S	*	6/1999	Therriault	D2/825
D430,721	S	*	9/2000	Beauchan	D2/825
D453,607	S	*	2/2002	Tracy	D2/826
6,408,462	B1		6/2002	Moore		

D560,330	S	*	1/2008	Williams et al.	D2/825
D600,884	S	*	9/2009	Patton	D2/825
D632,058	S	*	2/2011	Pritchett	D2/825
2010/0122395	A1		5/2010	Wall et al.		

* cited by examiner

Primary Examiner — Ian Simmons

Assistant Examiner — Eleni H Aldridge

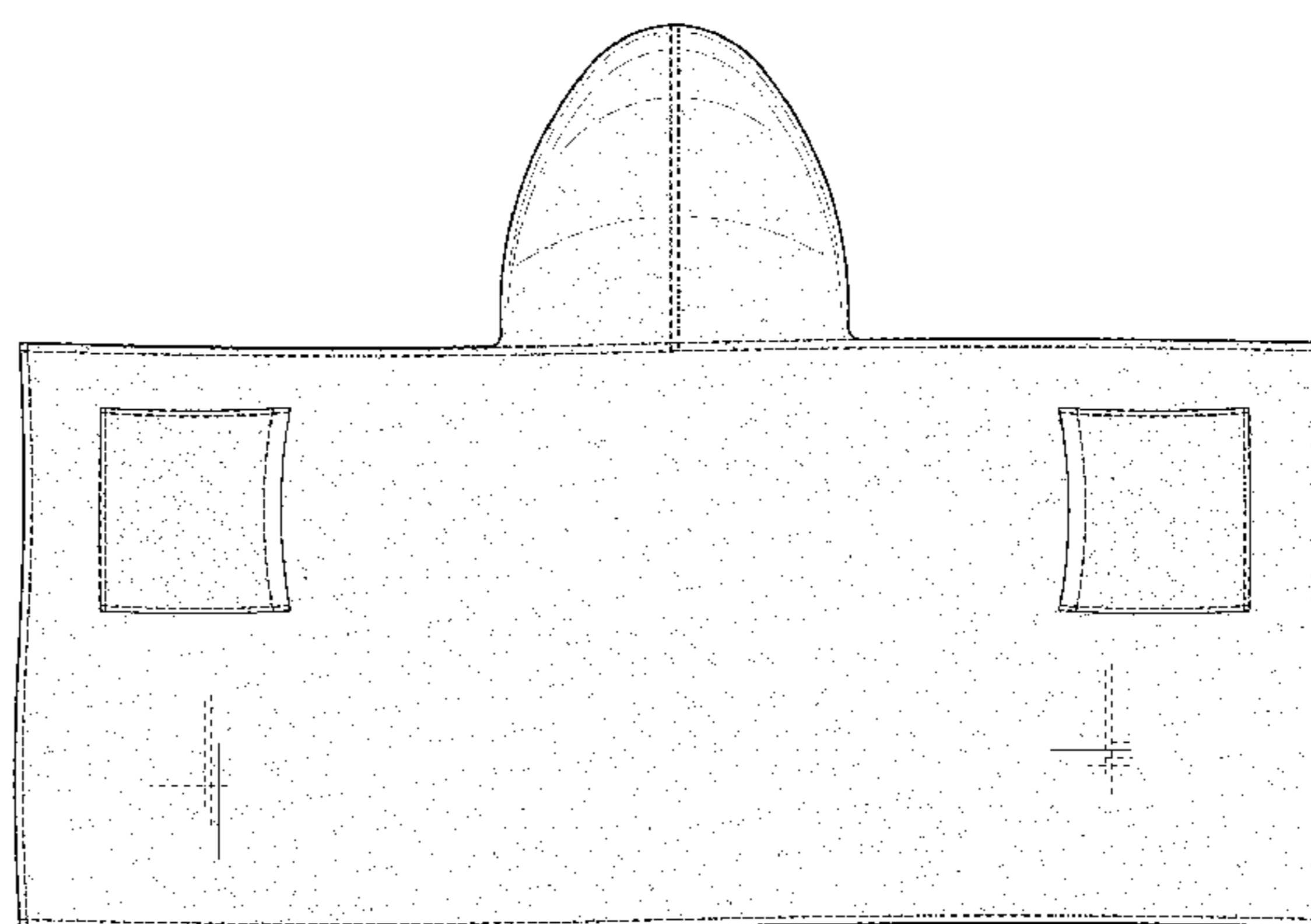
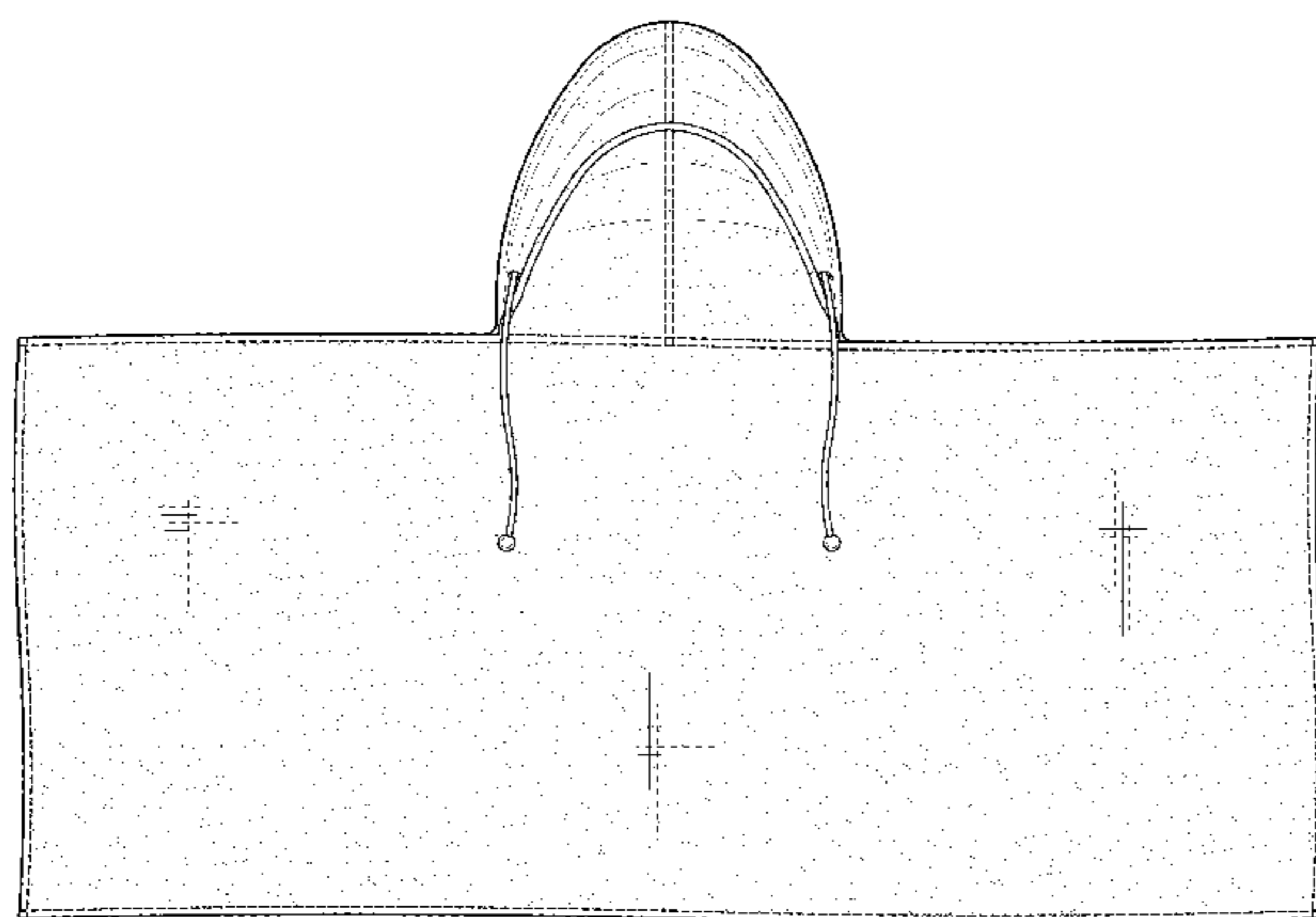
(57) **CLAIM**

The ornamental design for a combination towel, poncho and hood, as shown and described.

DESCRIPTION

FIG. 1 is a front elevation view of a combination towel, poncho and hood showing my new design; FIG. 2 is a rear elevation view thereof; FIG. 3 is a right elevation view thereof, the opposite side being a mirror image of the shown; FIG. 4 is a top plan view thereof; FIG. 5 is a bottom plan view thereof; and, FIG. 6 is an isometric view thereof. The dashed lines in the drawings depict stitching.

1 Claim, 5 Drawing Sheets



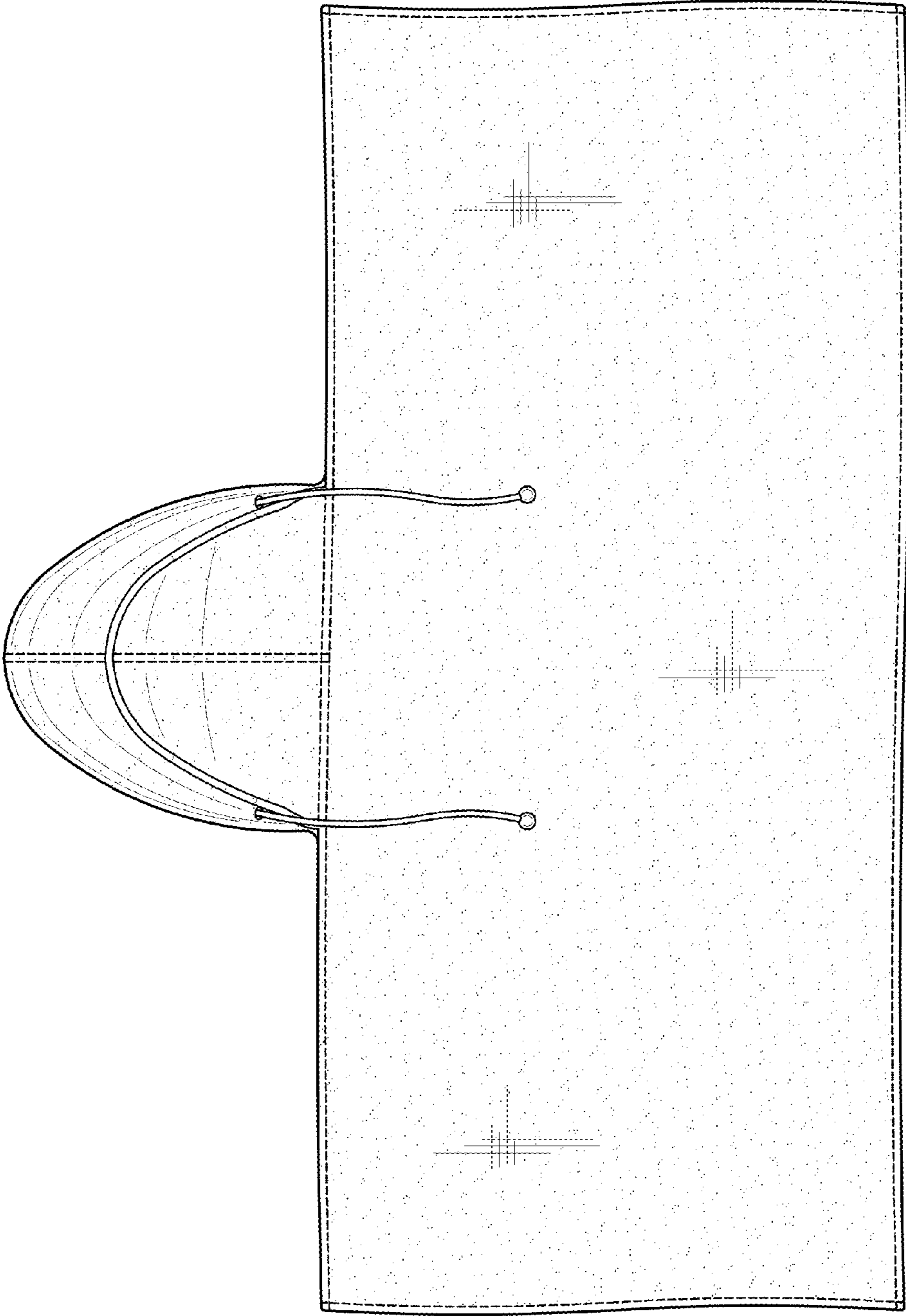


FIG. 1

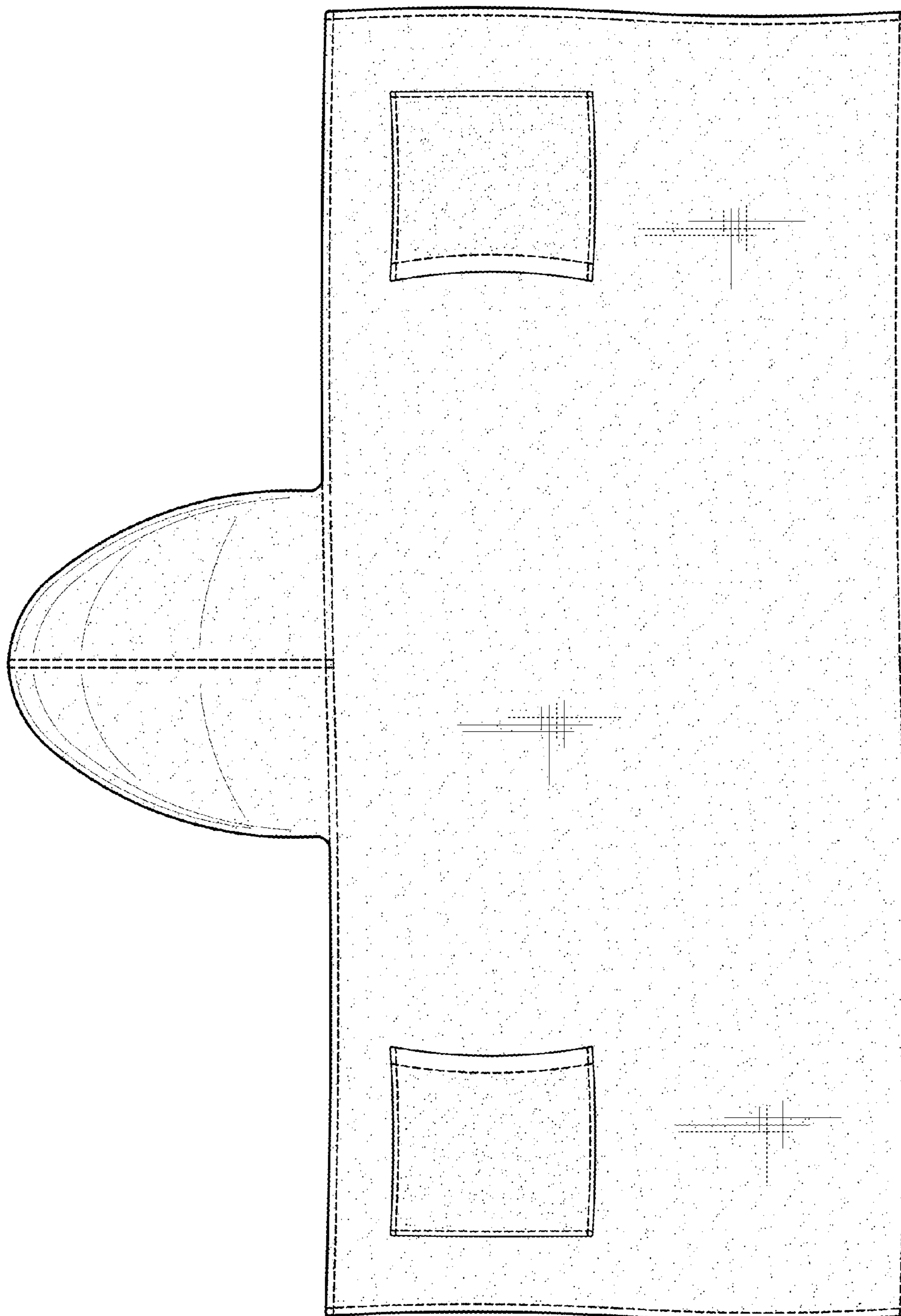


FIG. 2

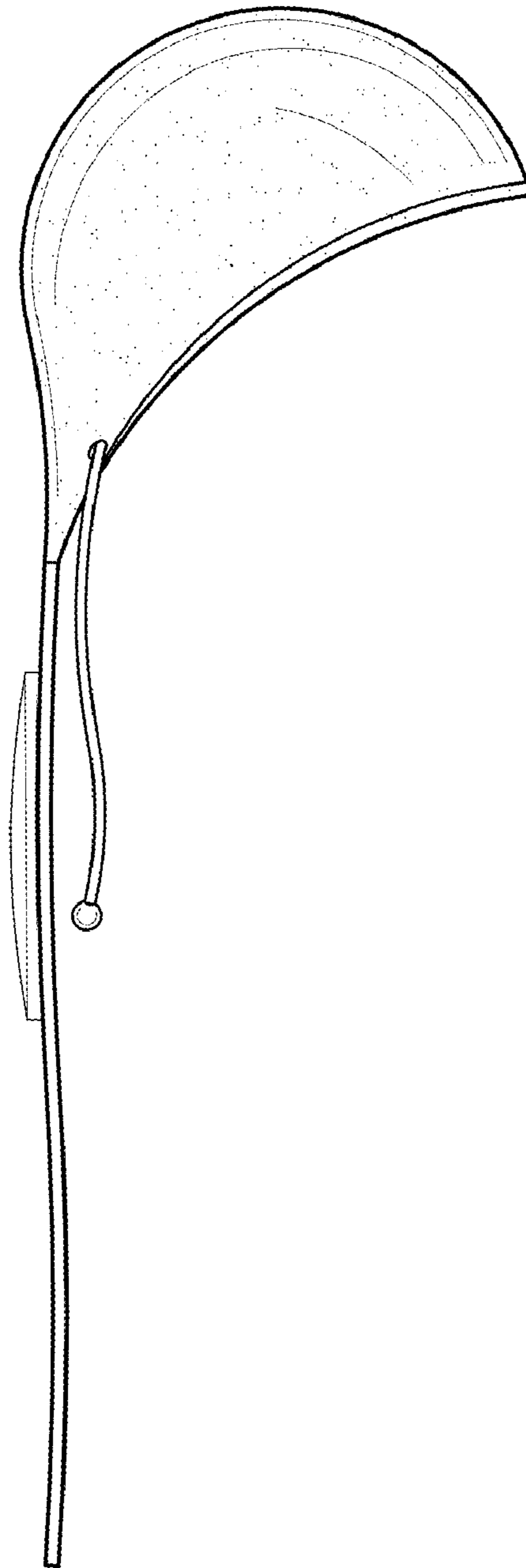


FIG. 3

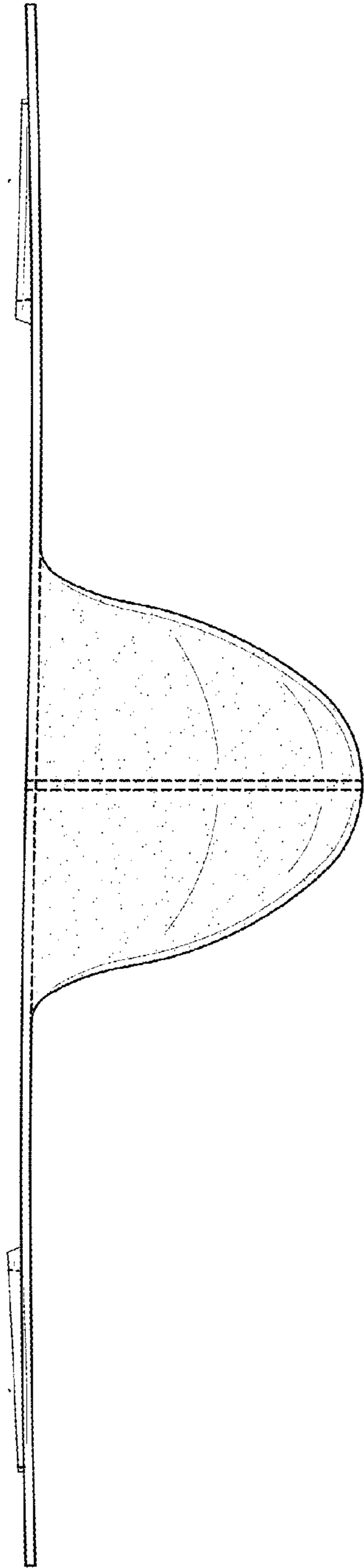


FIG. 4

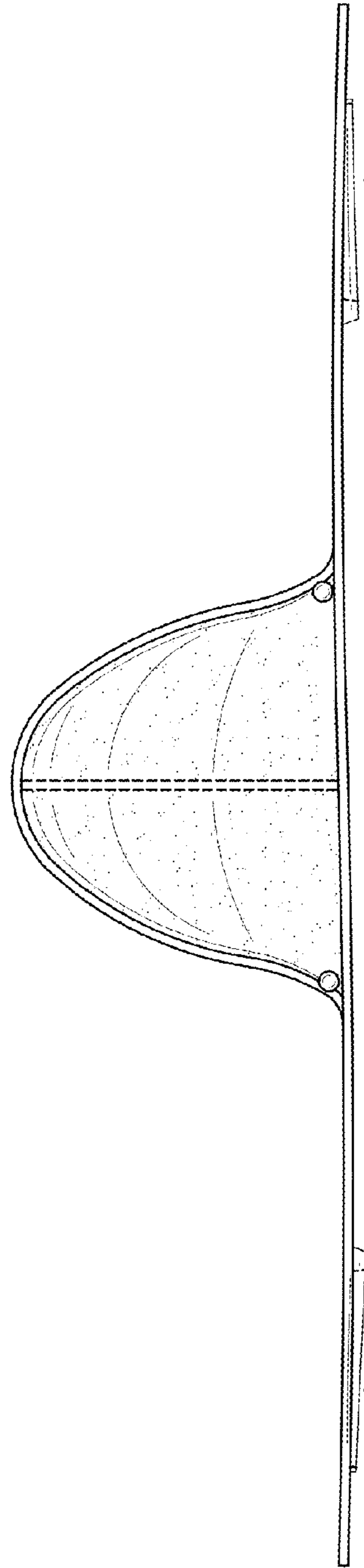


FIG. 5

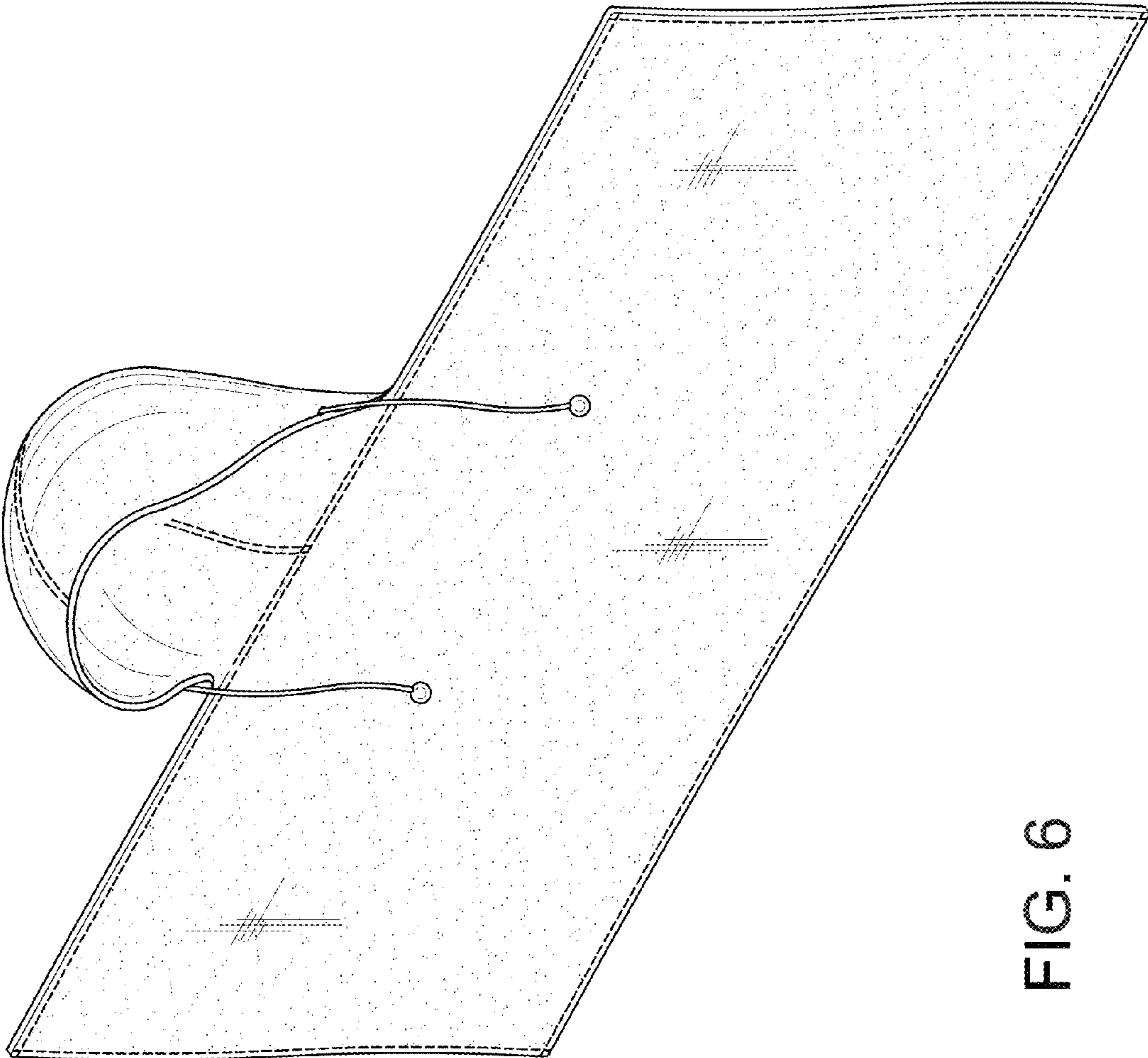


FIG. 6