



US00D677855S

(12) **United States Design Patent**
Eick

(10) **Patent No.:** **US D677,855 S**
(45) **Date of Patent:** **** Mar. 12, 2013**

(54) **CASH BOX**

(75) Inventor: **Dale A. Eick**, Libertyville, IL (US)

(73) Assignee: **Block and Company, Inc.**, Wheeling, IL (US)

(**) Term: **14 Years**

(21) Appl. No.: **29/396,105**

(22) Filed: **Jun. 24, 2011**

(51) **LOC (9) Cl.** **99-00**

(52) **U.S. Cl.** **D99/35**

(58) **Field of Classification Search** D99/28,
D99/34, 35, 36, 37, 43, 99; D3/304, 272,
D3/273; D18/3.1, 3.2, 3.3, 12, 12.1; 232/1 R,
232/1 D, 55, 64; 206/0.8, 0.81, 0.815, 0.82,
206/0.83, 0.84; 53/212, 213; 453/3, 58,
453/61, 63

See application file for complete search history.

(56) **References Cited**

U.S. PATENT DOCUMENTS

392,682	A *	11/1888	McNamara	220/8
706,231	A *	8/1902	Boldman	232/1 D
746,205	A *	12/1903	Valentine	232/4 R
D37,432	S *	5/1905	Bailey	D99/35
866,459	A *	9/1907	Gray	190/111
1,781,920	A *	11/1930	Fisher	232/4 R
D89,549	S *	3/1933	Breck	D99/35
D96,304	S *	7/1935	Farber	D99/35
D160,255	S *	9/1950	Degner	D99/35
D164,251	S *	8/1951	Moran	D6/314
D176,959	S *	2/1956	Lesbowski	D99/35
D210,299	S *	2/1968	Collin	D99/35
D247,728	S *	4/1978	Nichols	D6/559
D256,511	S *	8/1980	Atkin	D99/35
D281,368	S *	11/1985	Catelli	D99/35
D288,379	S *	2/1987	Kuhlmann	D99/35
D308,279	S *	5/1990	Hill	D99/35
D459,857	S *	7/2002	Stoneberg	D99/28

D484,669	S *	12/2003	Robinson	D99/35
D493,936	S *	8/2004	Perella et al.	D99/28
D503,024	S *	3/2005	Perella et al.	D99/28
D503,503	S *	3/2005	Perella et al.	D99/28
D504,990	S *	5/2005	Perella et al.	D99/28
D511,035	S *	10/2005	Perella et al.	D99/28
D516,768	S *	3/2006	Walker	D99/28
D516,769	S *	3/2006	Walker	D99/28
D517,770	S *	3/2006	Walker	D99/28
D549,425	S *	8/2007	Burns	D99/35
D558,977	S *	1/2008	Peart et al.	D3/294
D560,875	S *	1/2008	Decarlo et al.	D99/28
D561,994	S *	2/2008	Peart et al.	D3/291
D569,073	S *	5/2008	Osiecki et al.	D99/28
D570,074	S *	5/2008	Osiecki et al.	D99/28
D571,524	S *	6/2008	Kang et al.	D99/28
D572,425	S *	7/2008	Themistos	D99/28
D574,124	S *	7/2008	Huber	D99/28
D579,174	S *	10/2008	Decarlo et al.	D99/28
D624,275	S *	9/2010	Min	D99/28
D635,324	S *	3/2011	Plato	D99/28

* cited by examiner

Primary Examiner — Elizabeth J Oswecki

(74) *Attorney, Agent, or Firm* — Cook Alex Ltd.

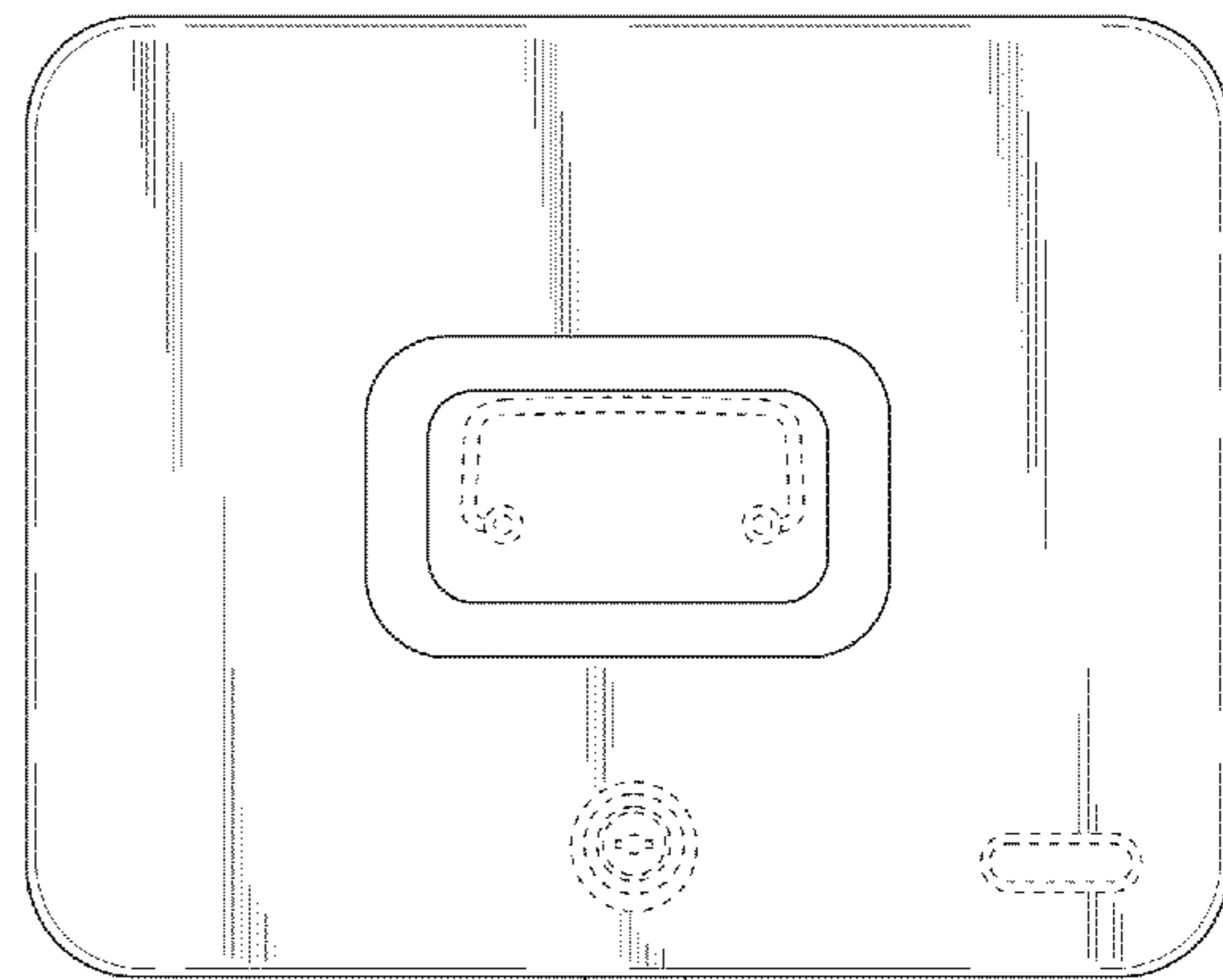
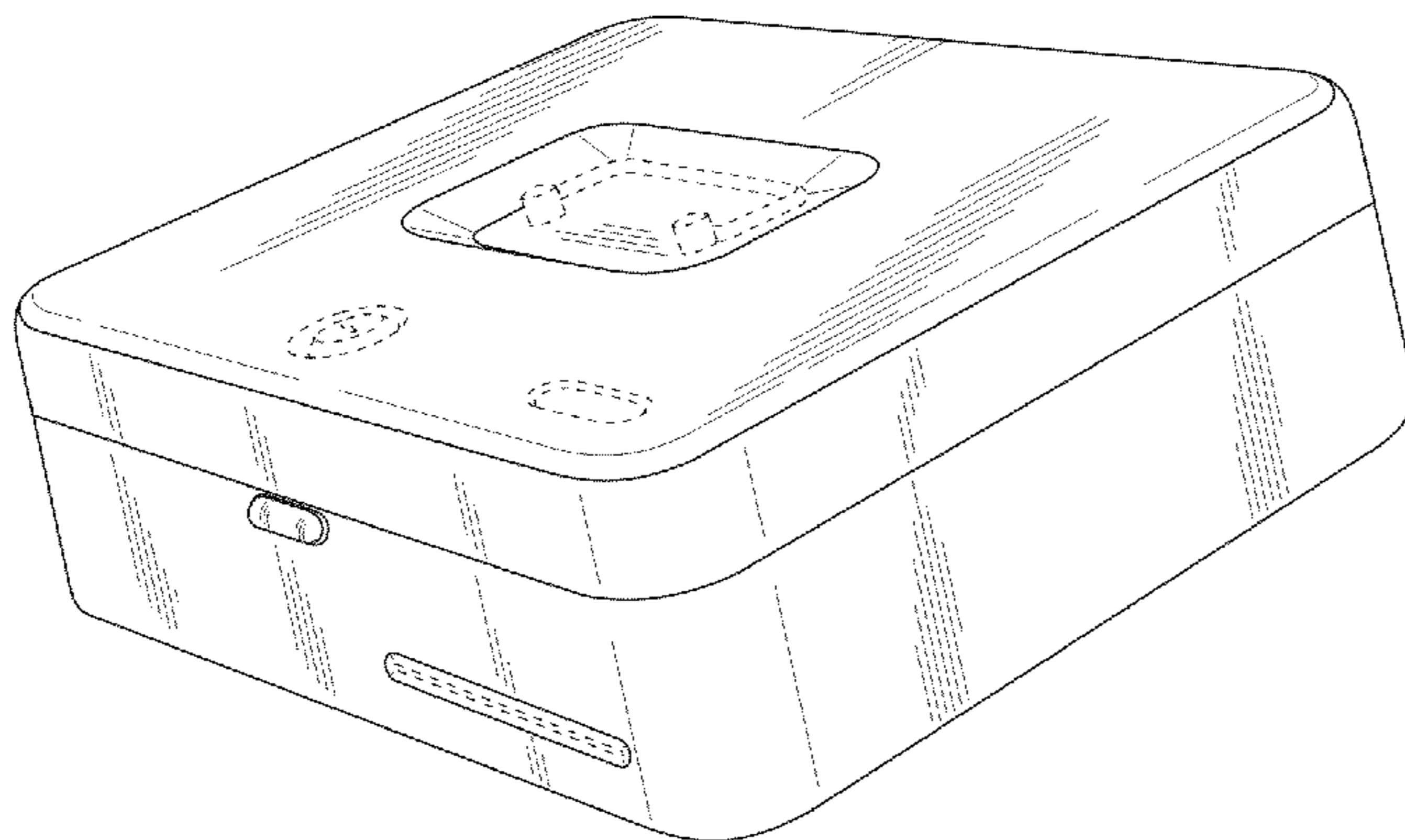
(57) **CLAIM**

The ornamental design for a cash box, as shown and described.

DESCRIPTION

FIG. 1 is a perspective view of a cash box showing my new design;
FIG. 2 is a top plan view thereof;
FIG. 3 is a bottom plan view thereof;
FIG. 4 is a front elevation view thereof;
FIG. 5 is a rear elevation view thereof;
FIG. 6 is a right side elevation view thereof; and,
FIG. 7 is a left side elevation view thereof.
In the drawings, the broken lines in FIGS. 1-7 depict portions of the design that form no part of the claim.

1 Claim, 3 Drawing Sheets



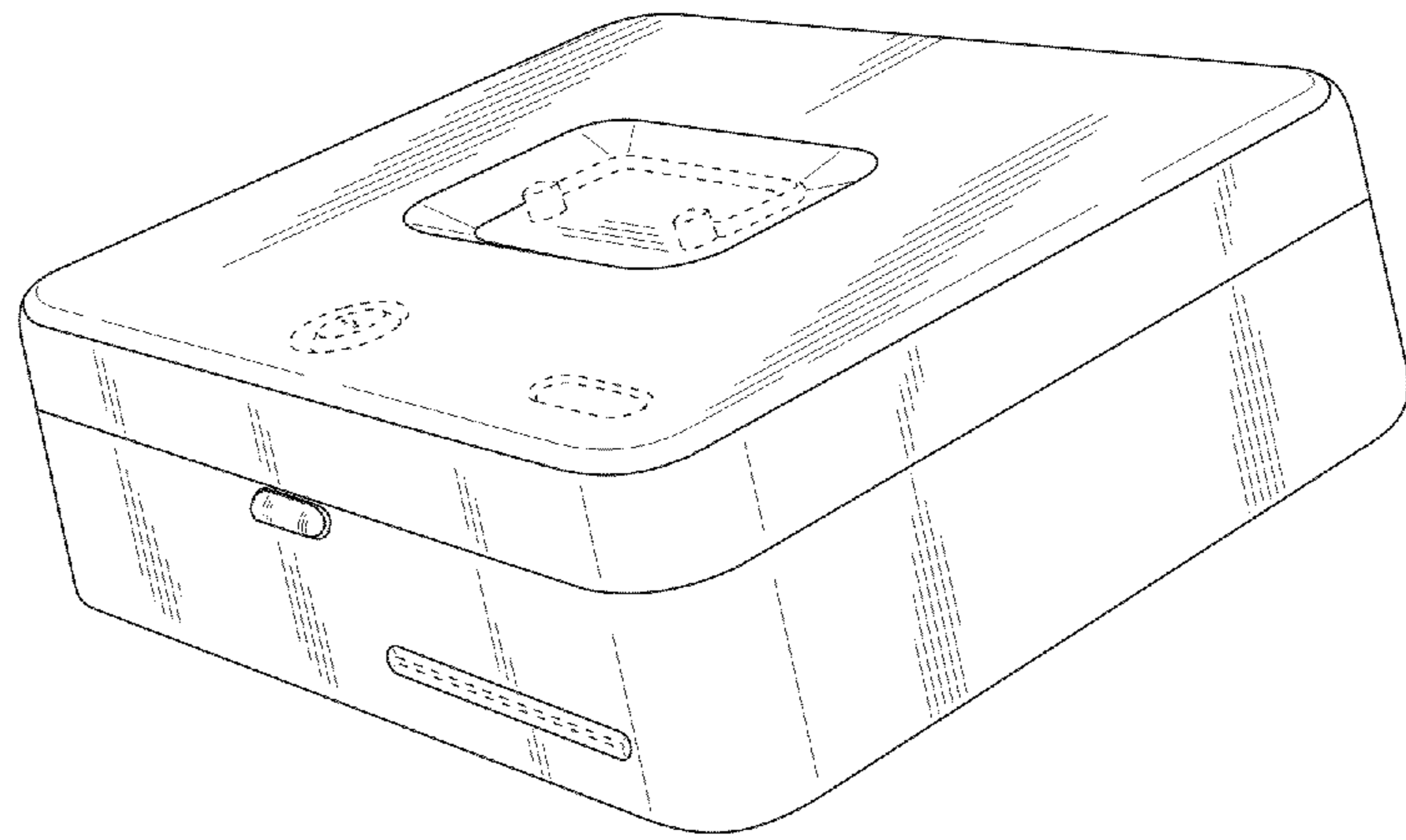


Fig. 1

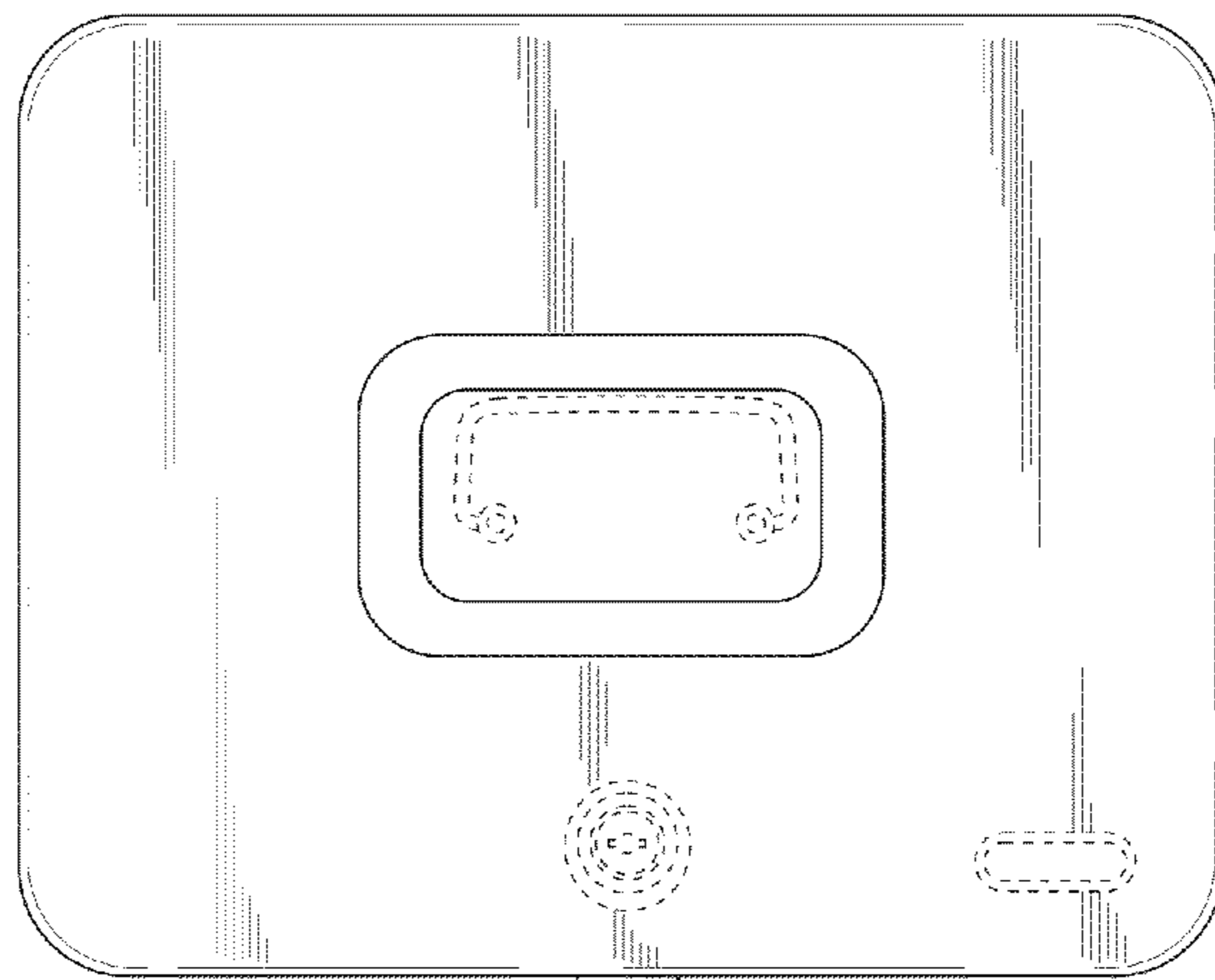


Fig. 2

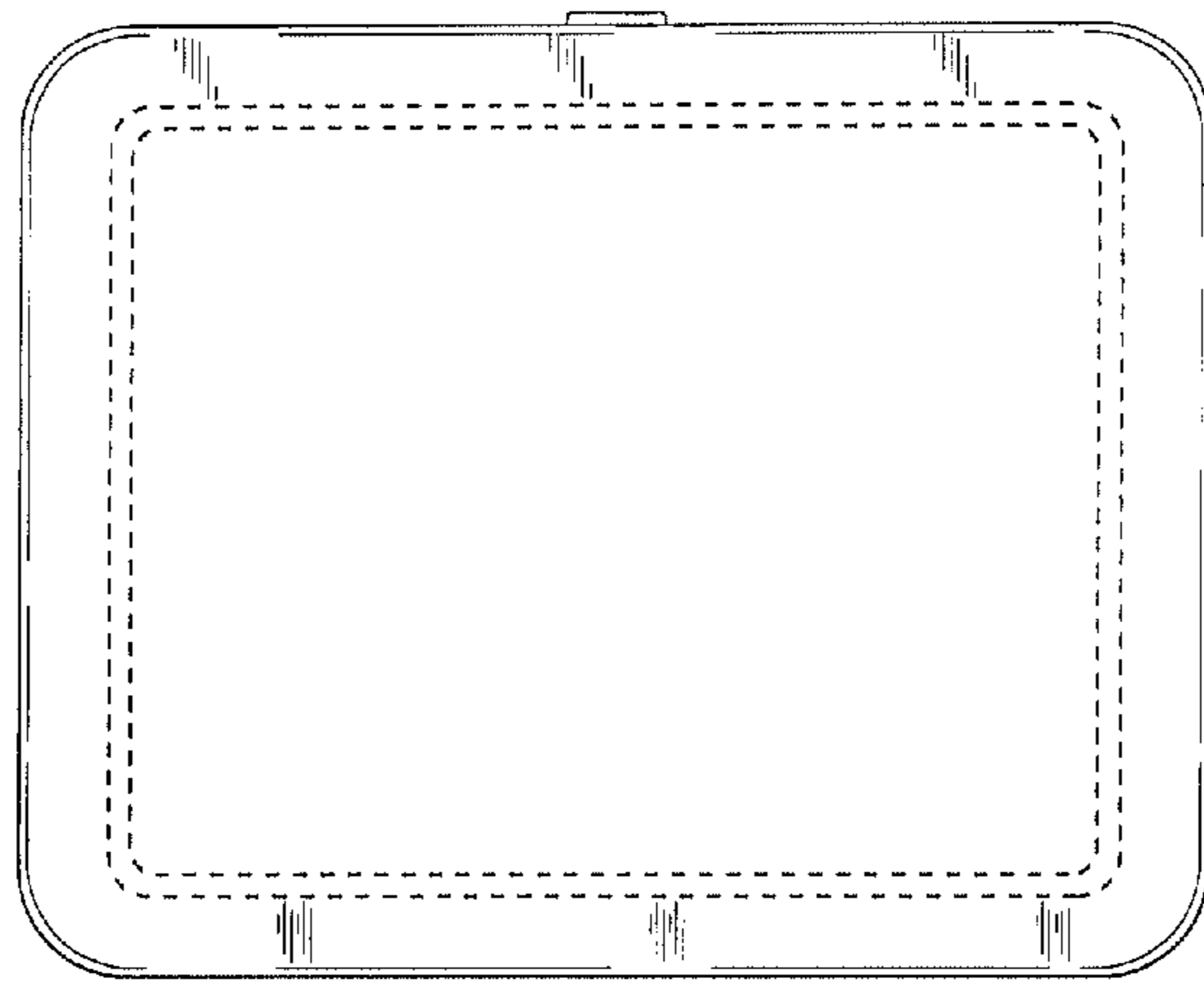


Fig. 3

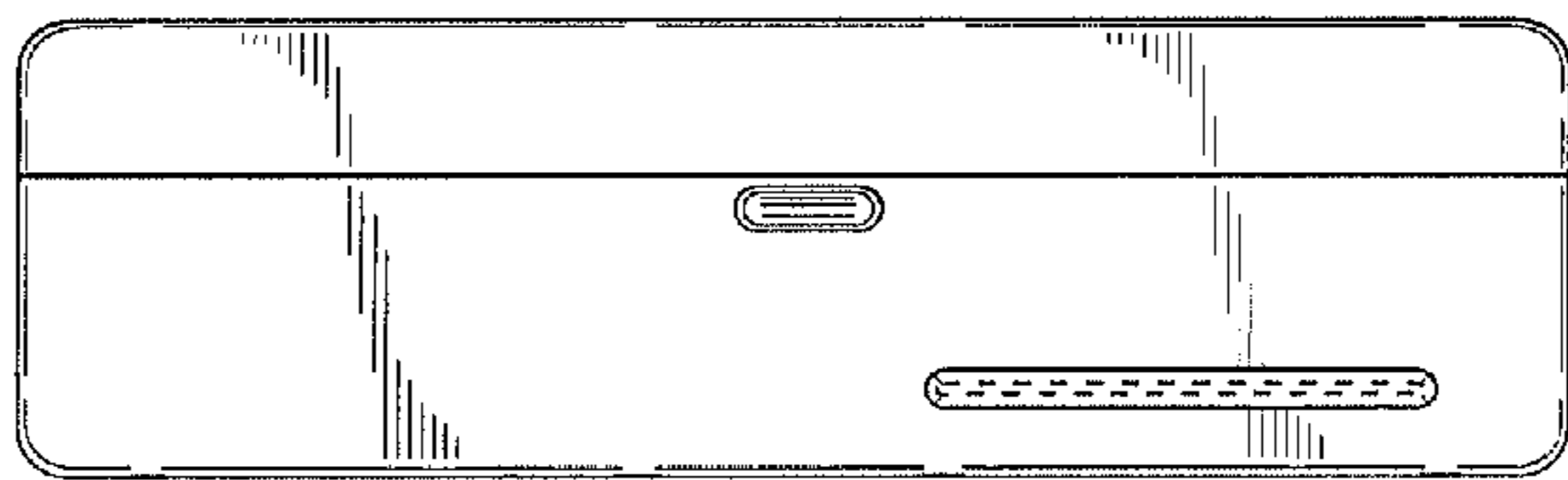


Fig. 4

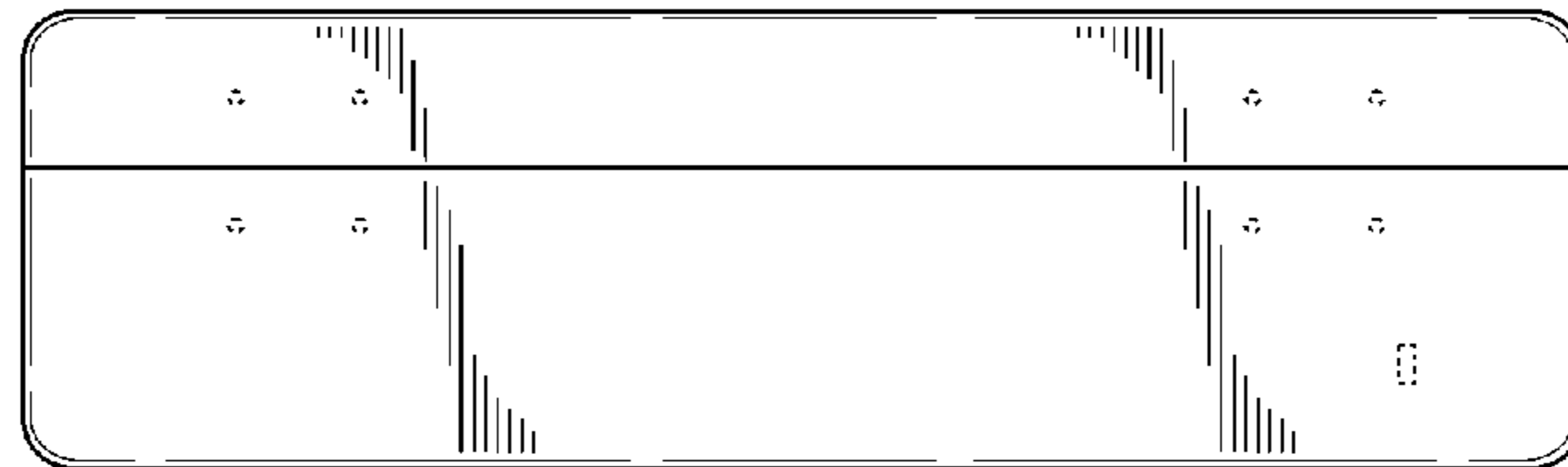


Fig. 5

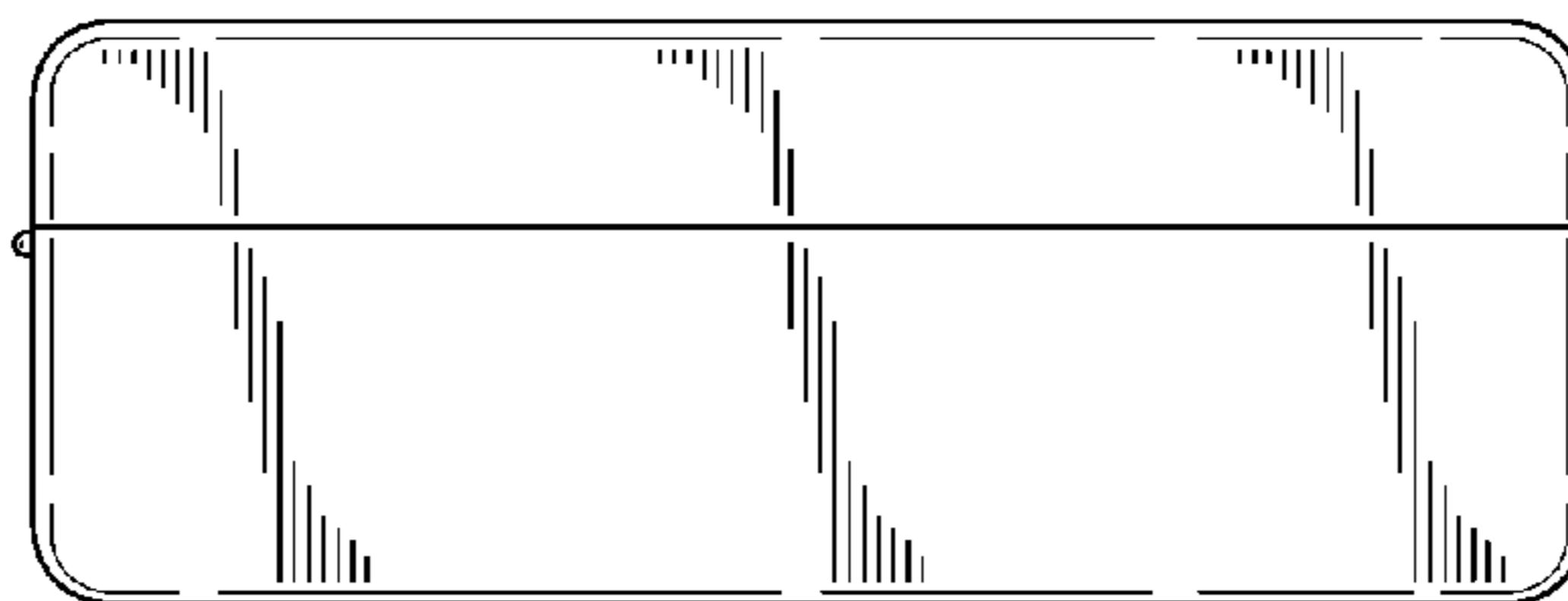


Fig. 6

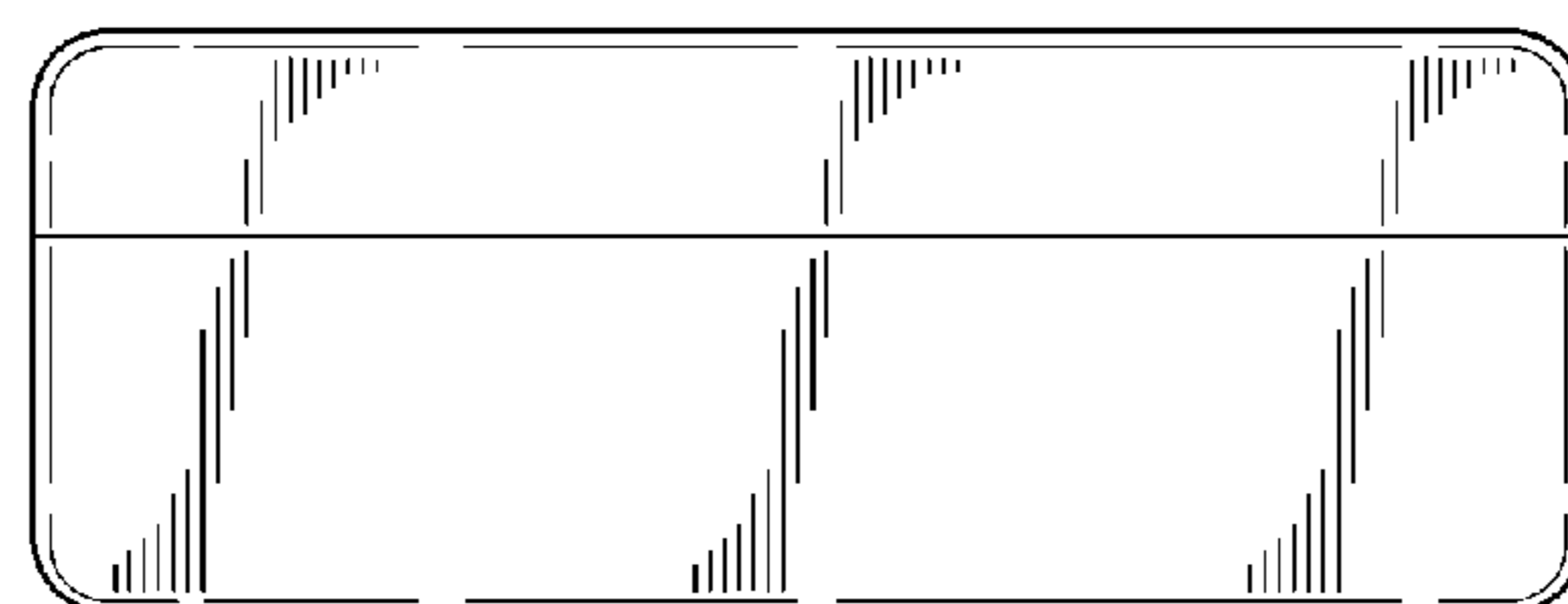


Fig. 7