



US00D677852S

(12) **United States Design Patent**
Atnip et al.

(10) **Patent No.:** **US D677,852 S**
(45) **Date of Patent:** **** Mar. 12, 2013**

(54) **FOOT EXTENSION FOR A WHEELBARROW**

(75) Inventors: **Timothy Edward Atnip**, Temecula, CA (US); **Anthony Magana**, Riverside, CA (US)

(73) Assignee: **Corona Clipper, Inc.**, Corona, CA (US)

(**) Term: **14 Years**

(21) Appl. No.: **29/420,006**

(22) Filed: **May 3, 2012**

(51) **LOC (9) Cl.** **12-02**

(52) **U.S. Cl.** **D34/27**

(58) **Field of Classification Search** D34/15, D34/27; D8/373; 280/47.131, 47.17, 47.18, 280/47.19, 47.26, 47.33, 40, 655, 656, 767, 280/47, 31, 30, 23; 298/3

See application file for complete search history.

(56) **References Cited**

U.S. PATENT DOCUMENTS

658,606	A	9/1900	Willsea
D34,934	S	8/1901	Cooper
817,677	A	4/1906	Smith
1,321,982	A	11/1919	Choate
2,268,748	A	1/1942	Glenny
2,692,175	A	10/1954	Jacques
3,604,753	A	9/1971	Couture
3,683,825	A	8/1972	Sheldon
4,705,280	A	11/1987	Burns
5,087,061	A	2/1992	Wallace
D404,881	S	1/1999	Shuchart et al.
D404,882	S	1/1999	Shuchart et al.
D404,883	S	1/1999	Shuchart et al.

D408,607	S	*	4/1999	Shuchart et al.	D34/27
D408,955	S		4/1999	Shuchart et al.		
D530,879	S		10/2006	Iturbide Jimenez		
D588,323	S		3/2009	Zimmerman		
D591,023	S	*	4/2009	Zimmerman	D34/27
7,748,723	B2		7/2010	Iturbide Jimenez		
D631,632	S		1/2011	Iturbide Jimenez		
D654,650	S	*	2/2012	Albert et al.	D34/27
D654,651	S	*	2/2012	Albert et al.	D34/27
D661,452	S	*	6/2012	Albert et al.	D34/27

* cited by examiner

Primary Examiner — Cynthia Ramirez

(57) **CLAIM**

The ornamental design for a foot extension for a wheelbarrow, as shown and described.

DESCRIPTION

FIG. 1 is a right side view of a foot extension for a wheelbarrow of the claimed design in context.

FIG. 2 is a perspective view of the foot extension of the claimed design.

FIG. 3 is a right side view of the foot extension of the claimed design.

FIG. 4 is a left side view of the foot extension of the claimed design.

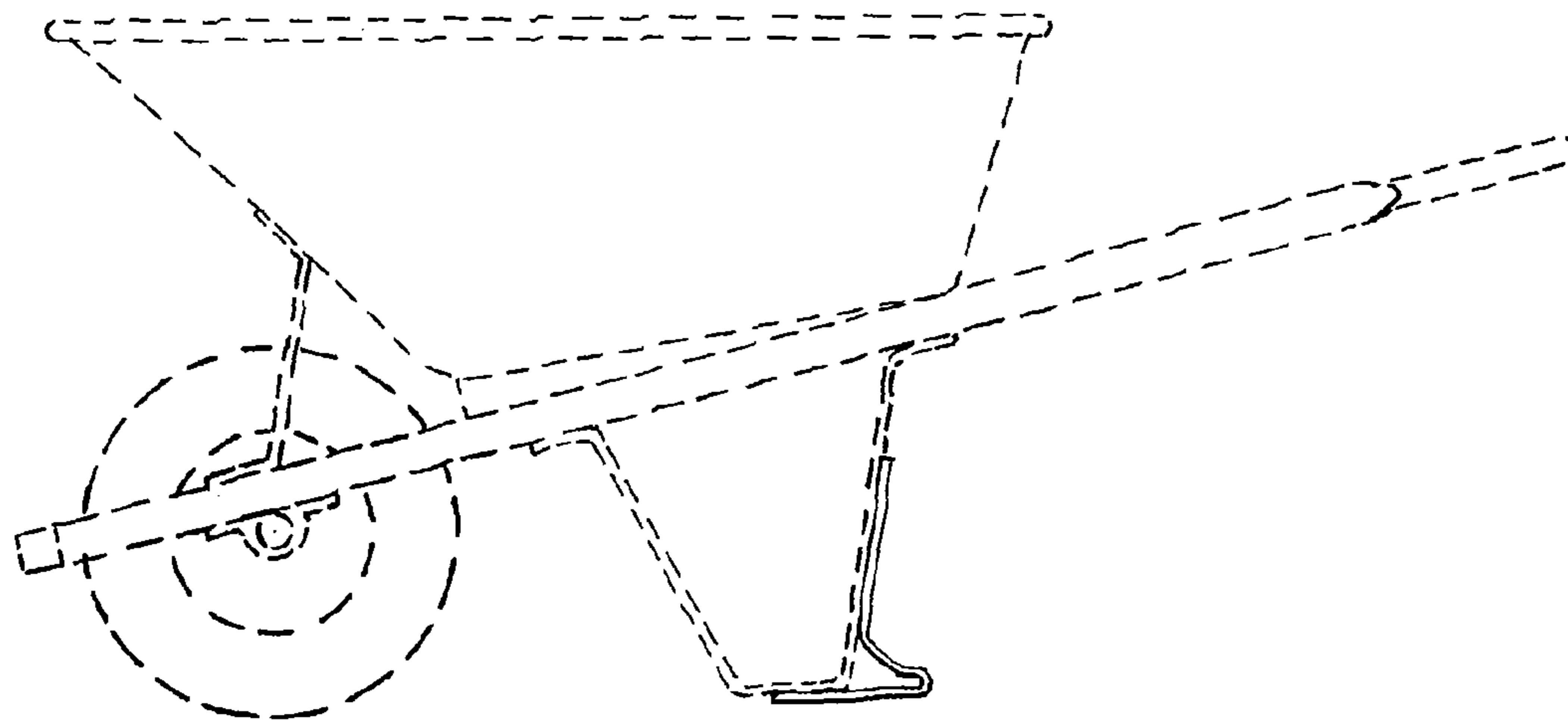
FIG. 5 is a top view of the foot extension of the claimed design.

FIG. 6 is bottom view of the foot extension of the claimed design.

FIG. 7 is a back view of the foot extension of the claimed design; and,

FIG. 8 is a front view of the foot extension of the claimed design.

1 Claim, 4 Drawing Sheets



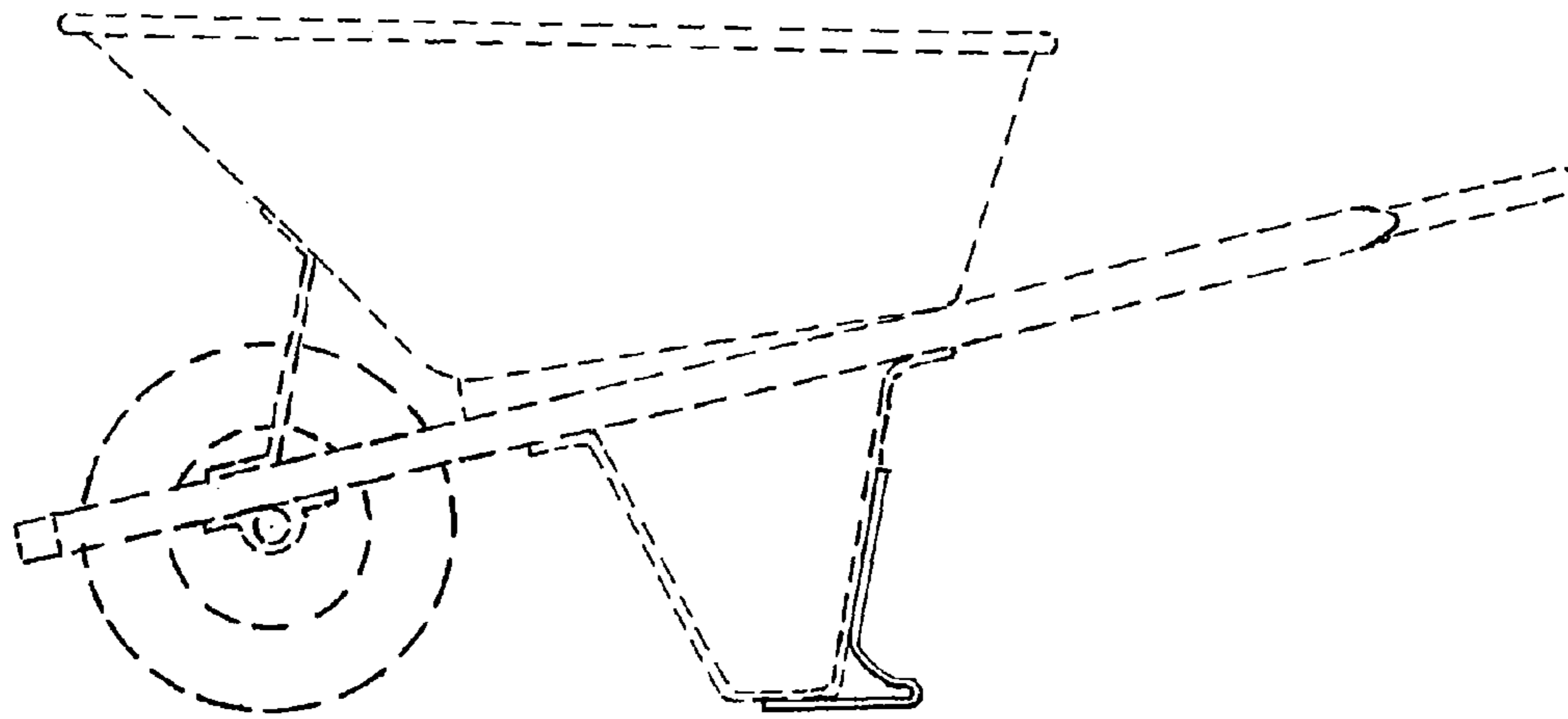


FIG. 1

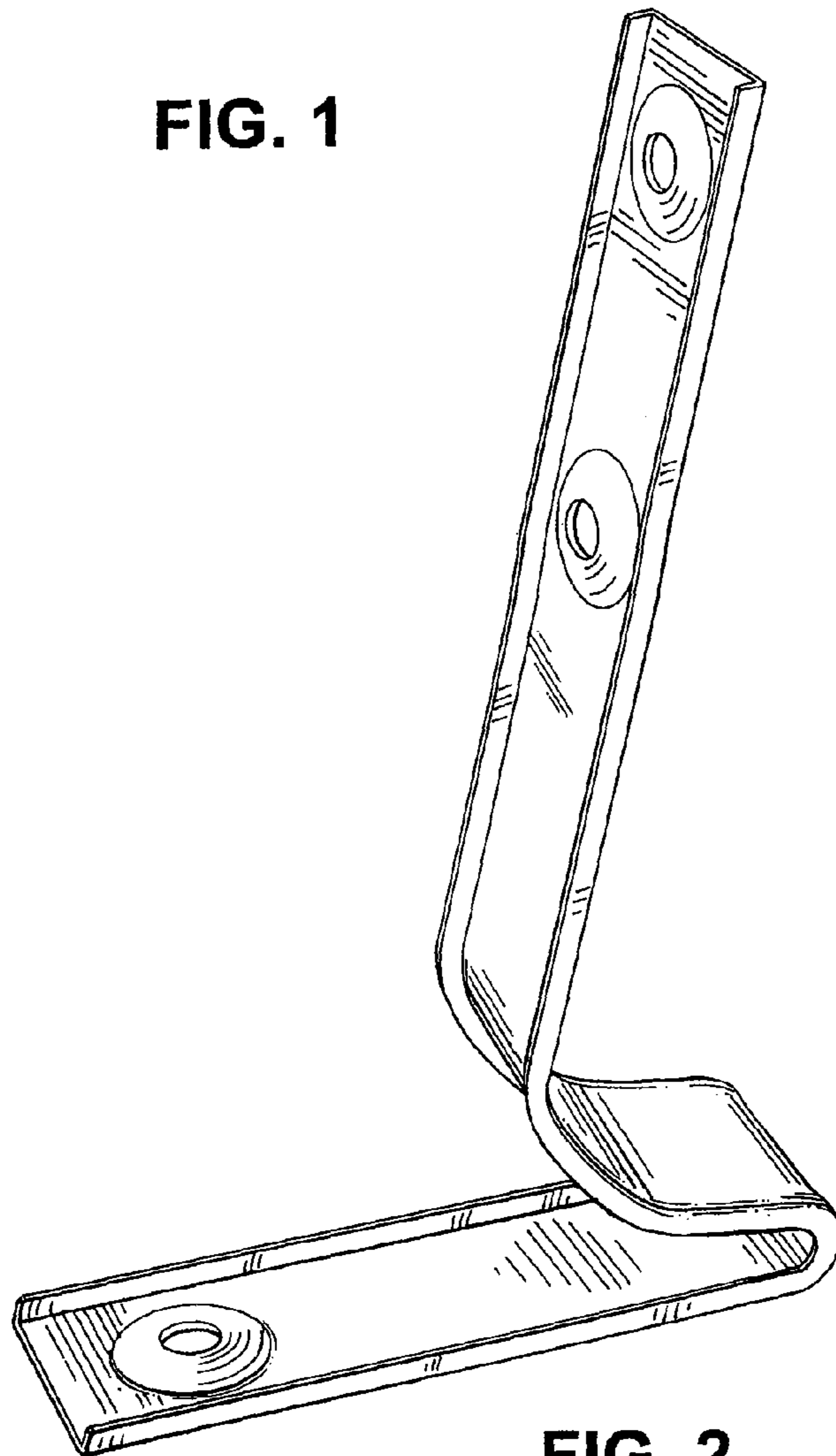


FIG. 2

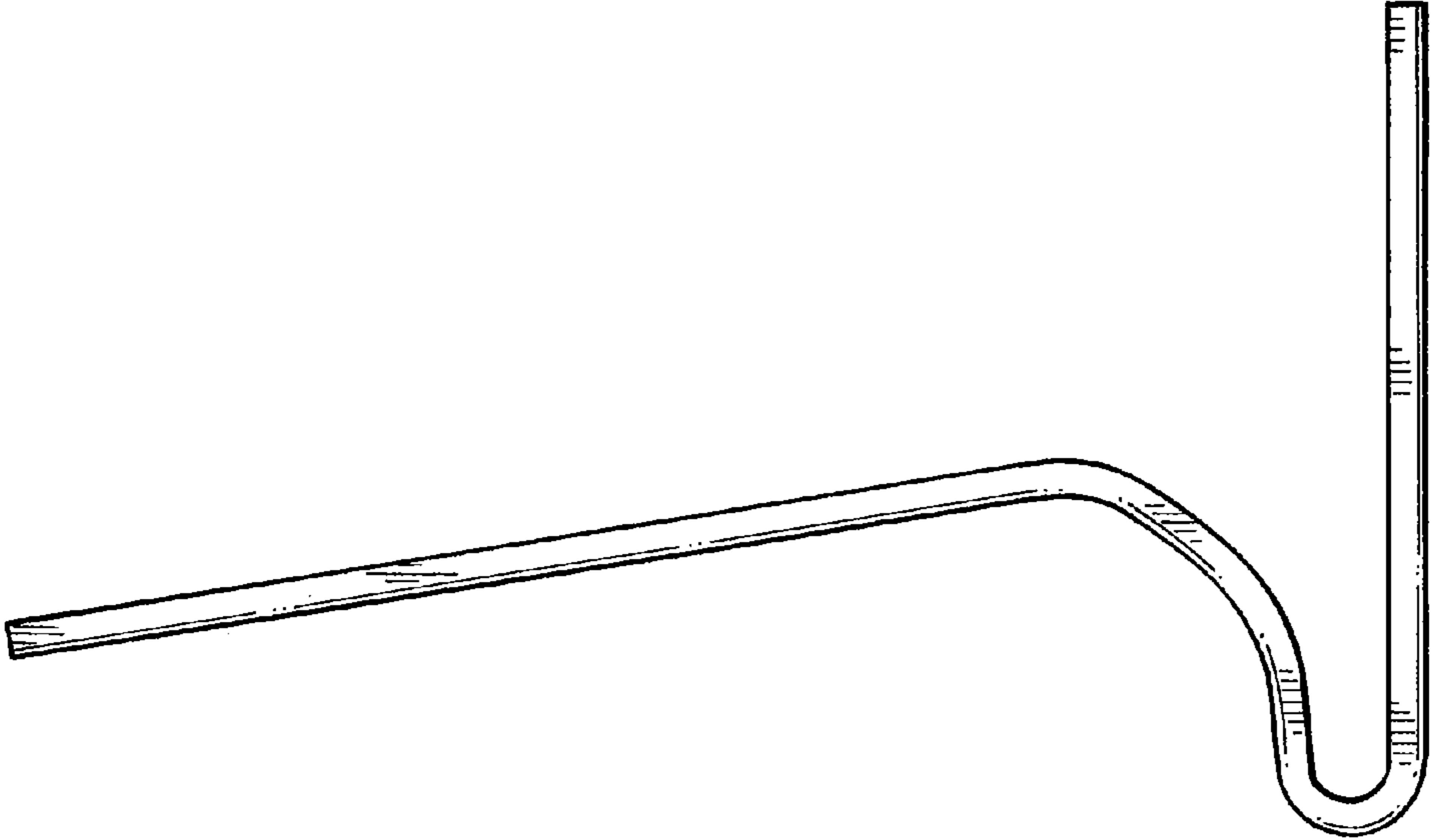


FIG. 4

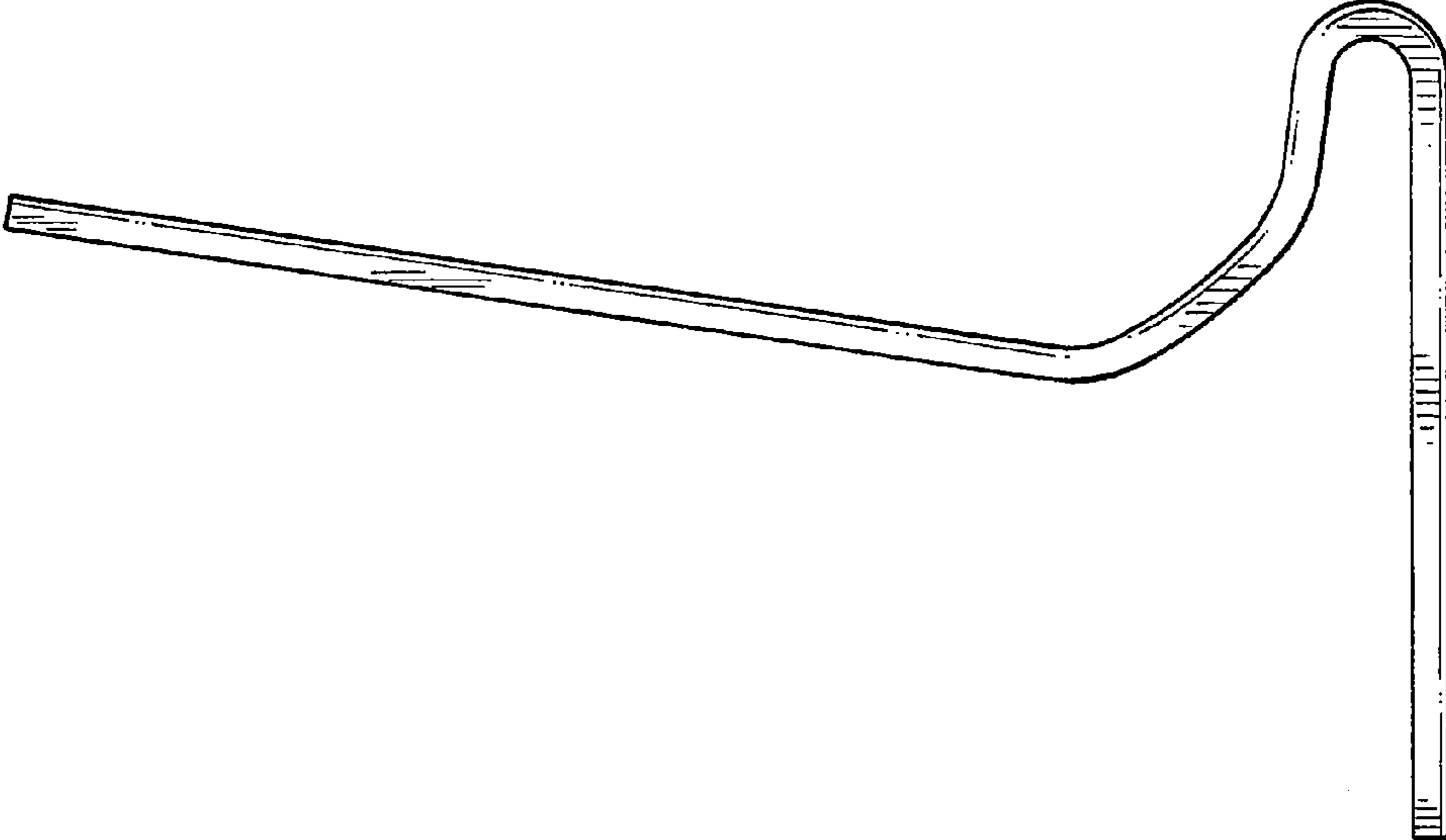


FIG. 3

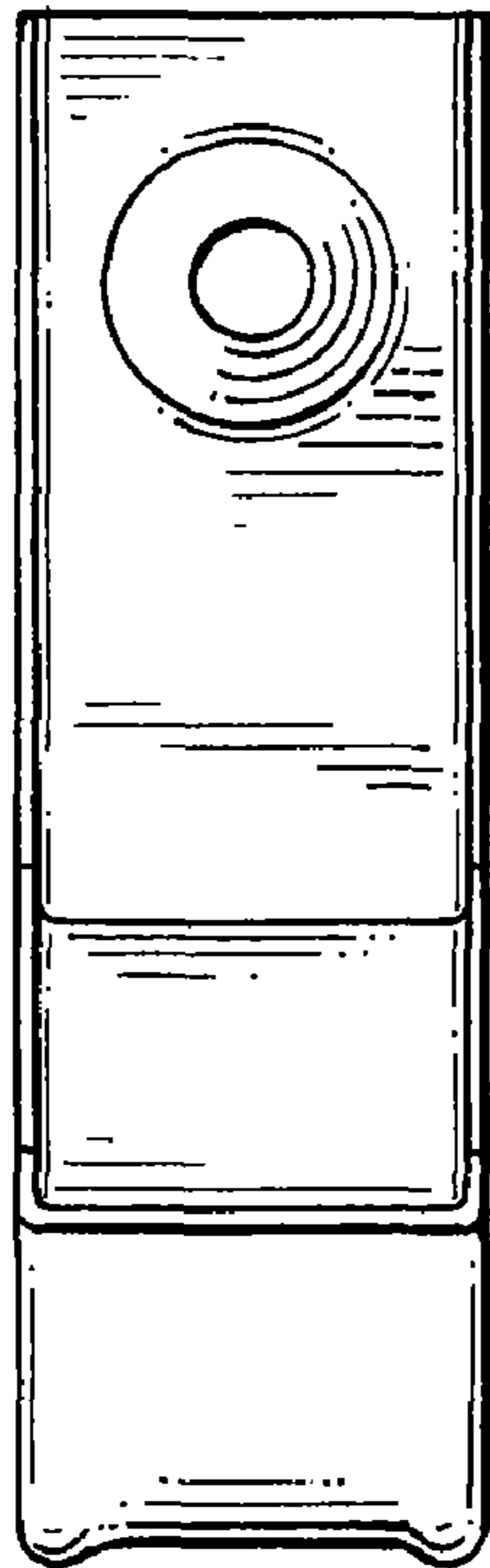


FIG. 5

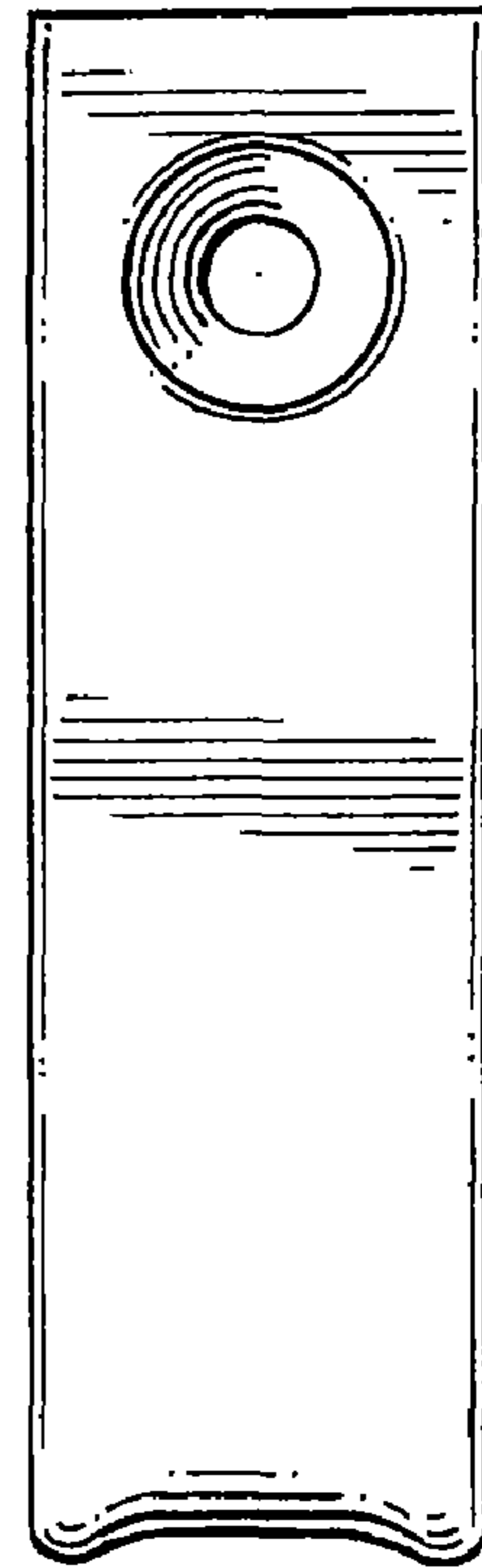


FIG. 6

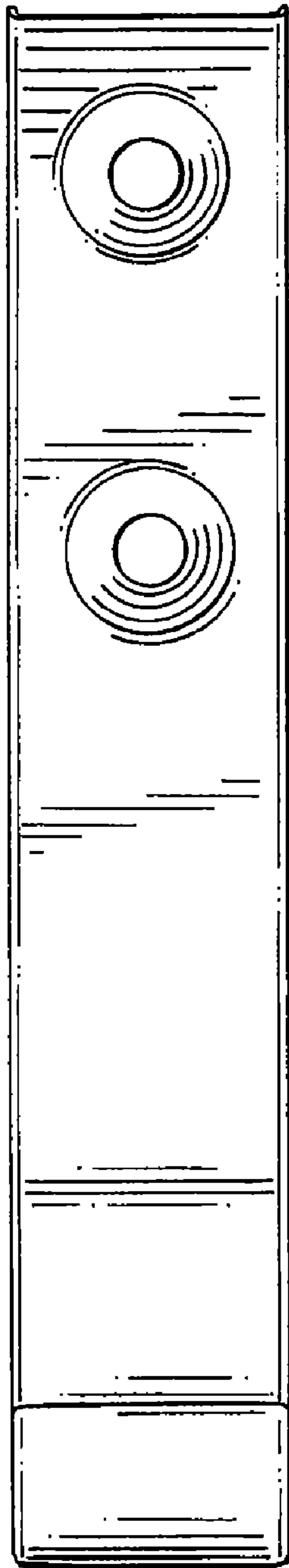


FIG. 7

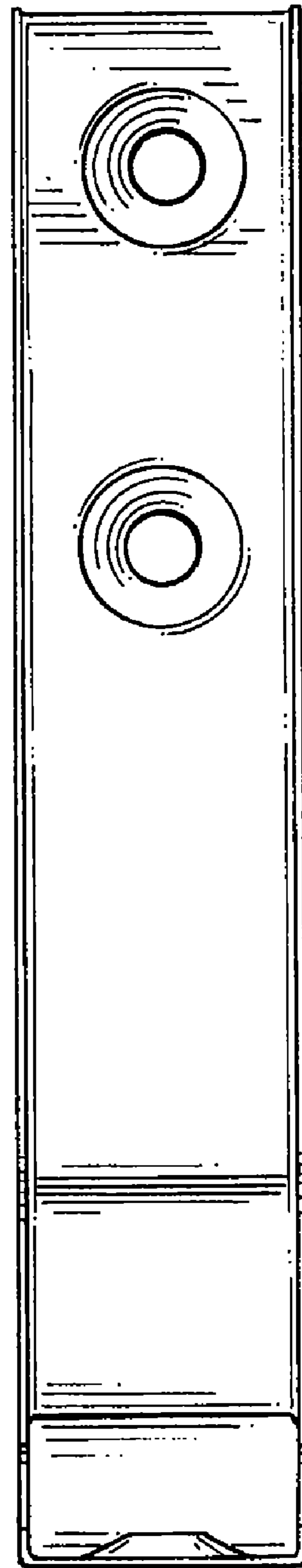


FIG. 8