



US00D677851S

(12) **United States Design Patent**  
**Harris**

(10) **Patent No.:** **US D677,851 S**  
(45) **Date of Patent:** **\*\* Mar. 12, 2013**

(54) **DISPOSABLE LINER FOR LAUNDRY CART**

(76) Inventor: **Rosemary L. Harris**, Xenia, OH (US)

(\*\*) Term: **14 Years**

(21) Appl. No.: **29/417,486**

(22) Filed: **Apr. 4, 2012**

**Related U.S. Application Data**

(63) Continuation of application No. 12/228,621, filed on Aug. 14, 2008, now abandoned.

(51) **LOC (9) Cl.** ..... **12-02**

(52) **U.S. Cl.** ..... **D34/27**

(58) **Field of Classification Search** ..... D34/12-27;  
D9/424, 425, 431, 432; D3/304, 314; D7/550.1,  
D7/601; 206/503, 518, 557, 563; 220/1.5,  
220/23.6, 495.08; 119/169, 165, 170  
See application file for complete search history.

(56) **References Cited**

**U.S. PATENT DOCUMENTS**

4,869,204	A *	9/1989	Yananton	119/169
D363,662	S *	10/1995	Plater	D9/425
5,649,718	A *	7/1997	Groglio	280/641
D386,336	S *	11/1997	Douglas	D6/510
6,115,855	A *	9/2000	Lorenzo	4/484
6,739,003	B1 *	5/2004	Fanuzzi	5/606
D495,846	S *	9/2004	Liu	D34/17
D540,039	S *	4/2007	van Beuningen	D3/314
D555,476	S *	11/2007	Nielsen	D9/425
7,398,977	B2 *	7/2008	Short	280/33.992

D574,179	S *	8/2008	DeLuca	D7/354
D590,567	S *	4/2009	Latham	D34/27
D595,128	S *	6/2009	Bouveret et al.	D9/425
D642,906	S *	8/2011	Samartgis	D9/424
D642,907	S *	8/2011	Samartgis	D9/424
2004/0199994	A1 *	10/2004	Sherif et al.	4/622
2008/0012253	A1 *	1/2008	Short	280/33.992

\* cited by examiner

*Primary Examiner* — Cynthia Ramirez

(74) *Attorney, Agent, or Firm* — Montgomery Patent & Design; Robert C. Montgomery

(57) **CLAIM**

The ornamental design for a disposable liner for laundry cart, as shown and described.

**DESCRIPTION**

FIG. 1 is an environmental perspective view of a disposable liner for laundry cart depicted in use with a laundry cart, showing my new design;

FIG. 2 is a perspective side view of the disposable liner for laundry cart;

FIG. 3 is a front view thereof with a rear view being a mirror image;

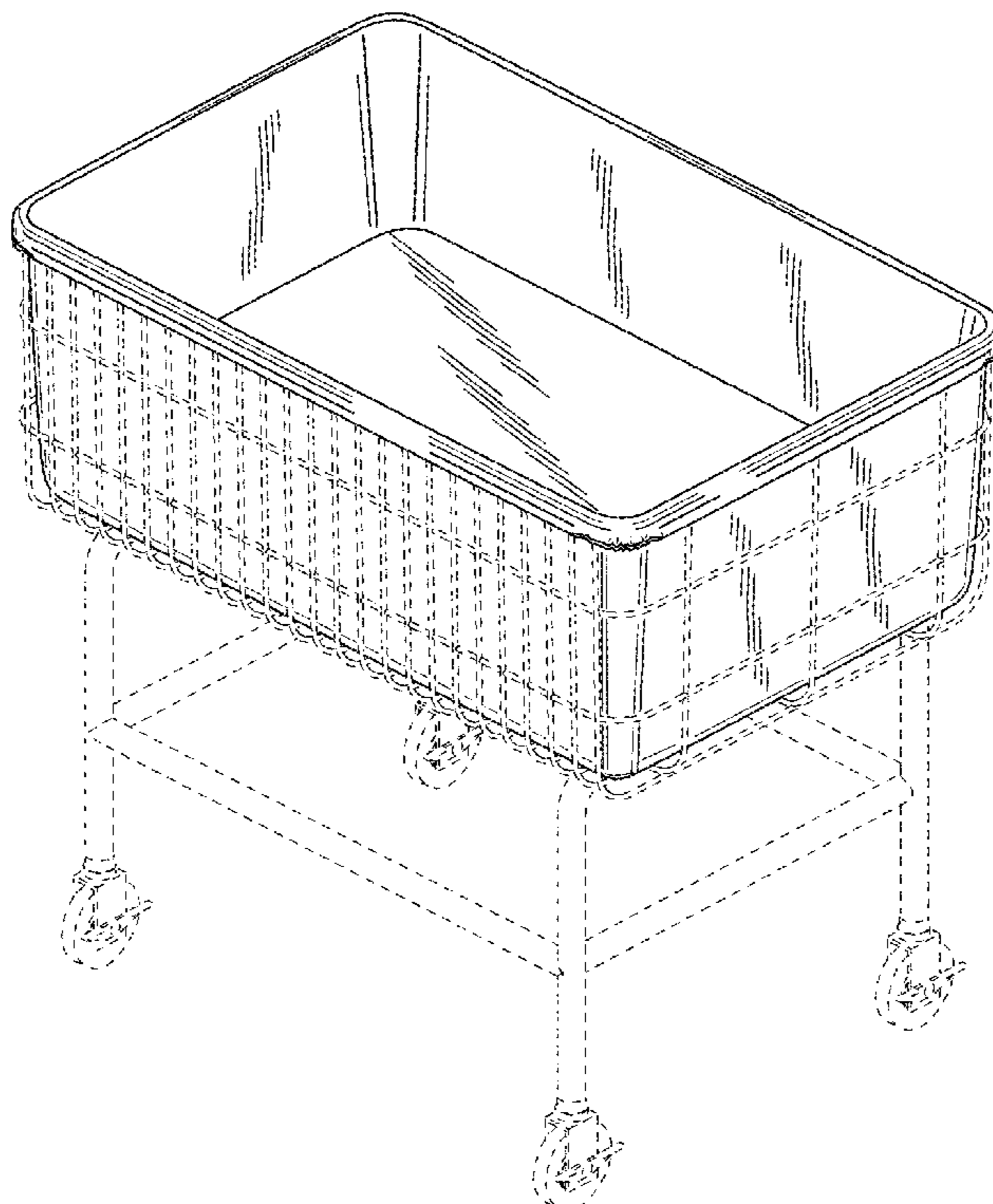
FIG. 4 is a left side view thereof with a right side view being a mirror image;

FIG. 5 is a top view thereof; and,

FIG. 6 is a bottom view thereof.

The broken line showing of a laundry cart shown in FIG. 1 is for the purpose of illustrating environment and forms no part of the claimed design.

**1 Claim, 6 Drawing Sheets**



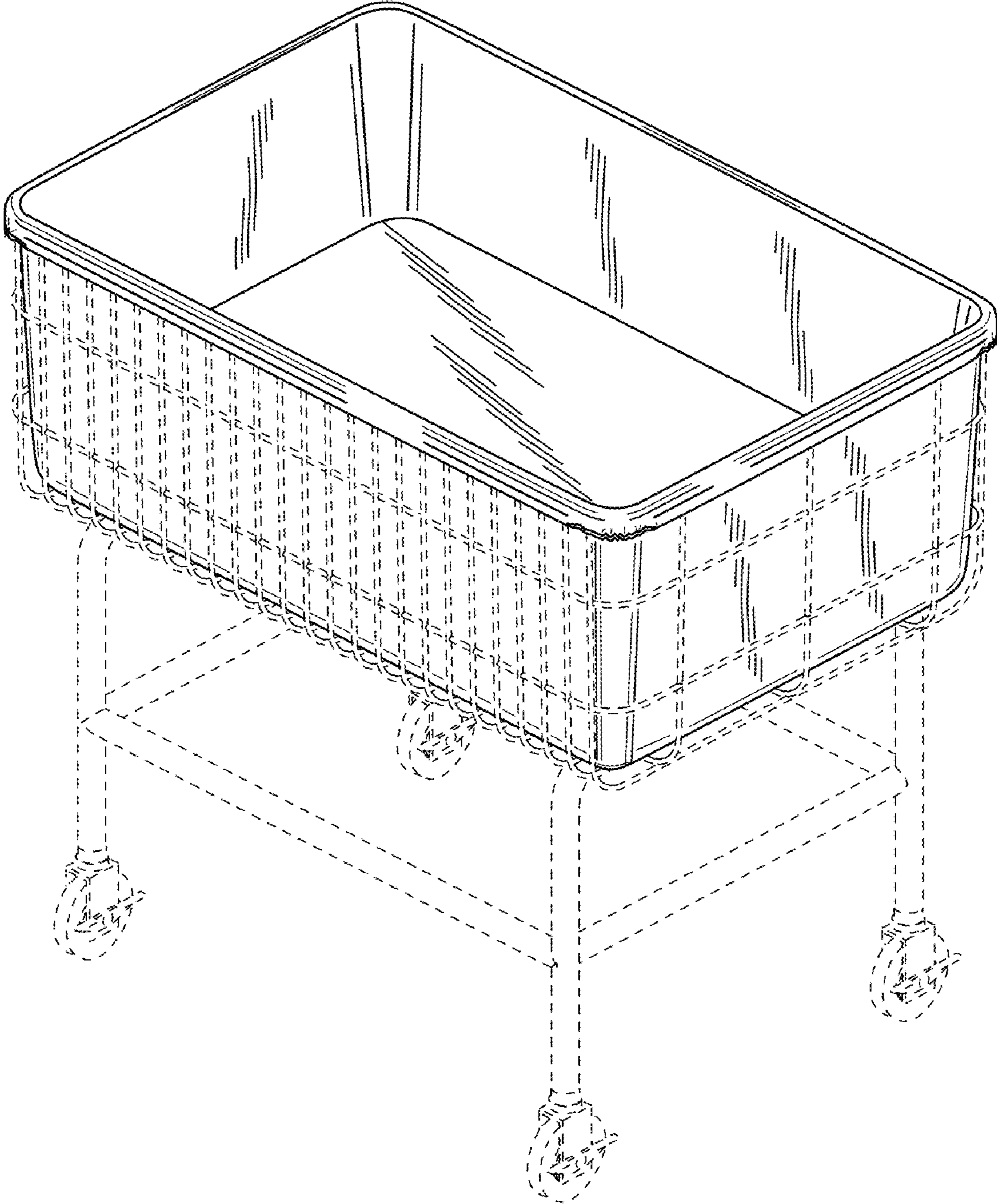


Fig. 1

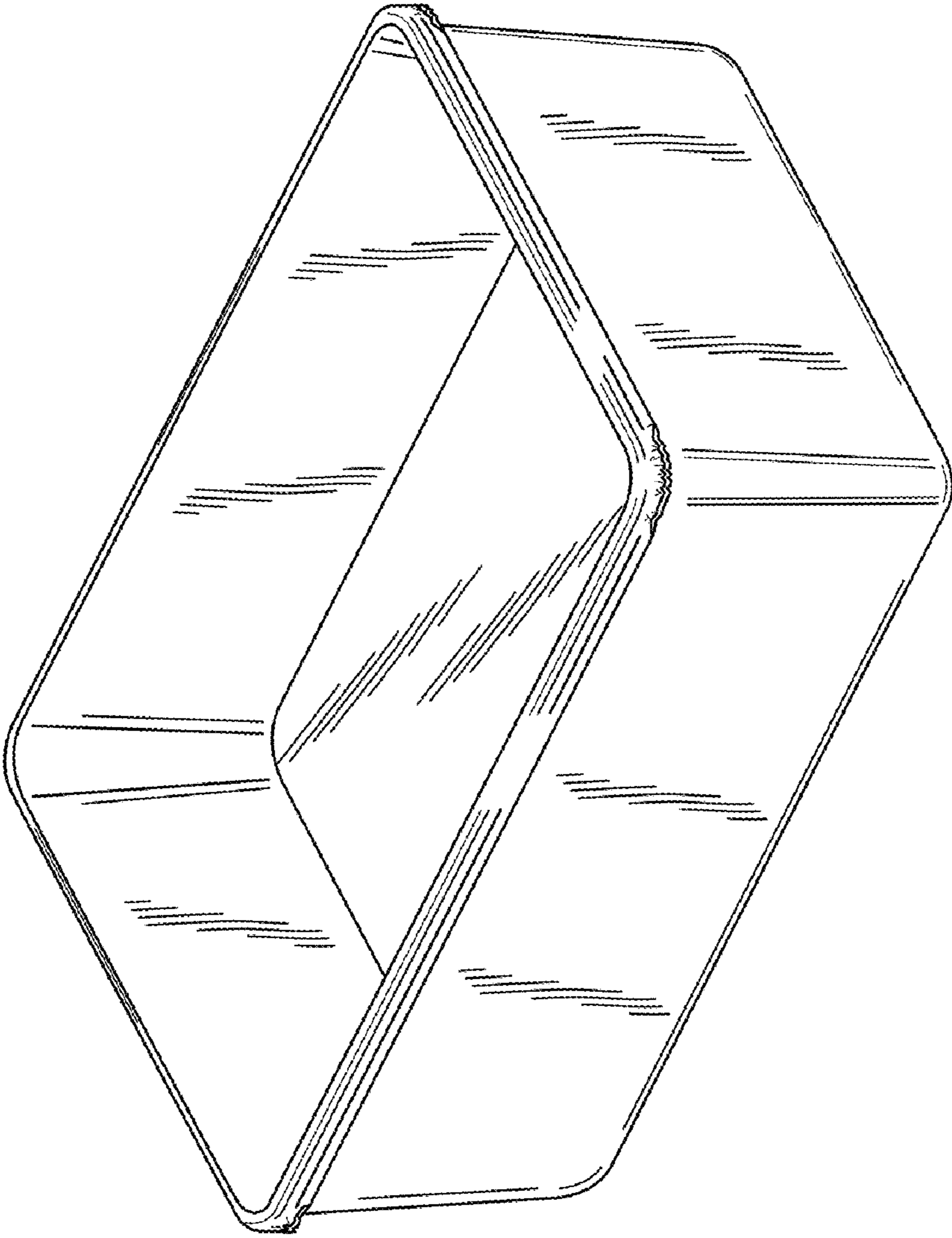


Fig. 2

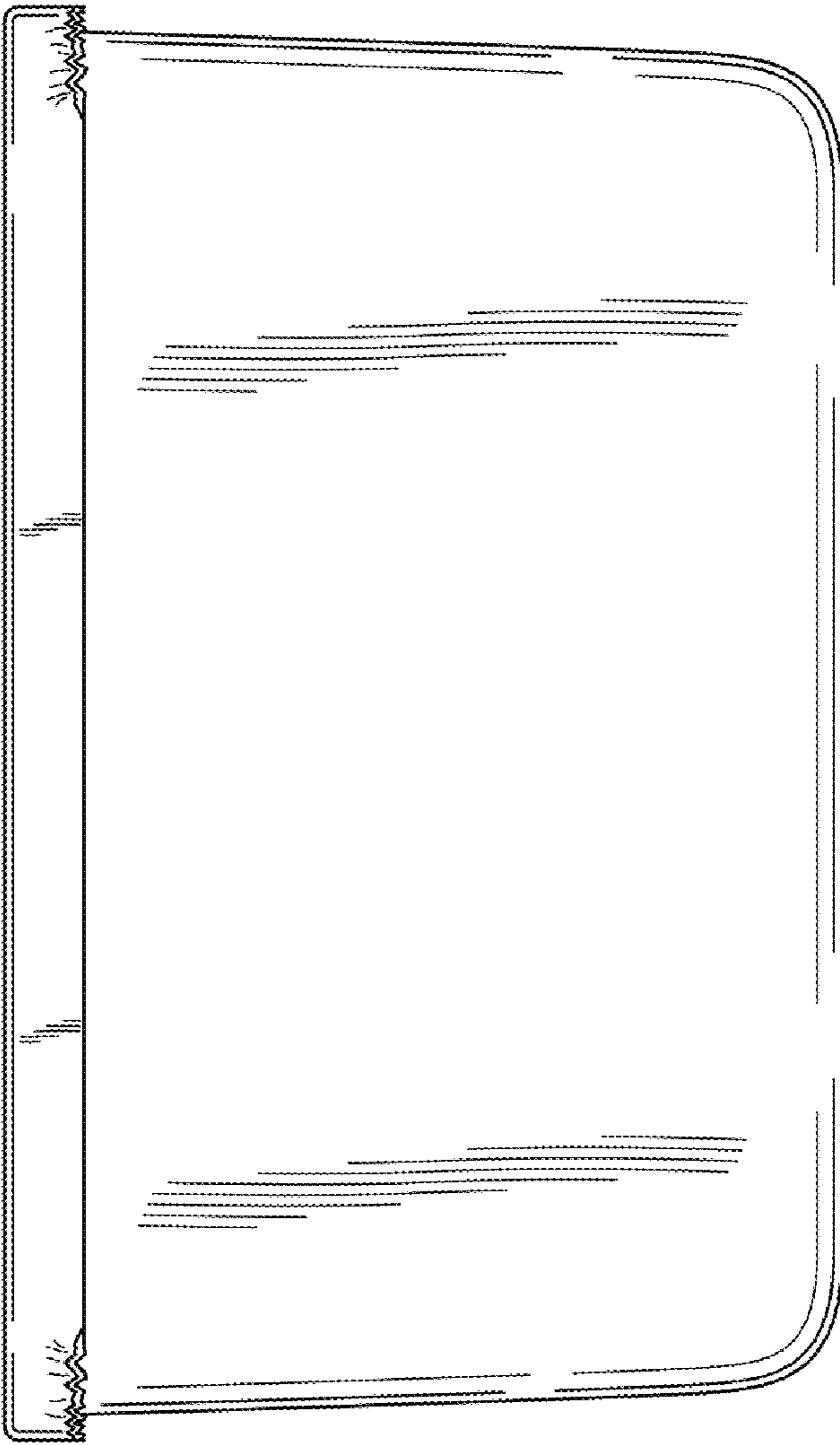


Fig. 3

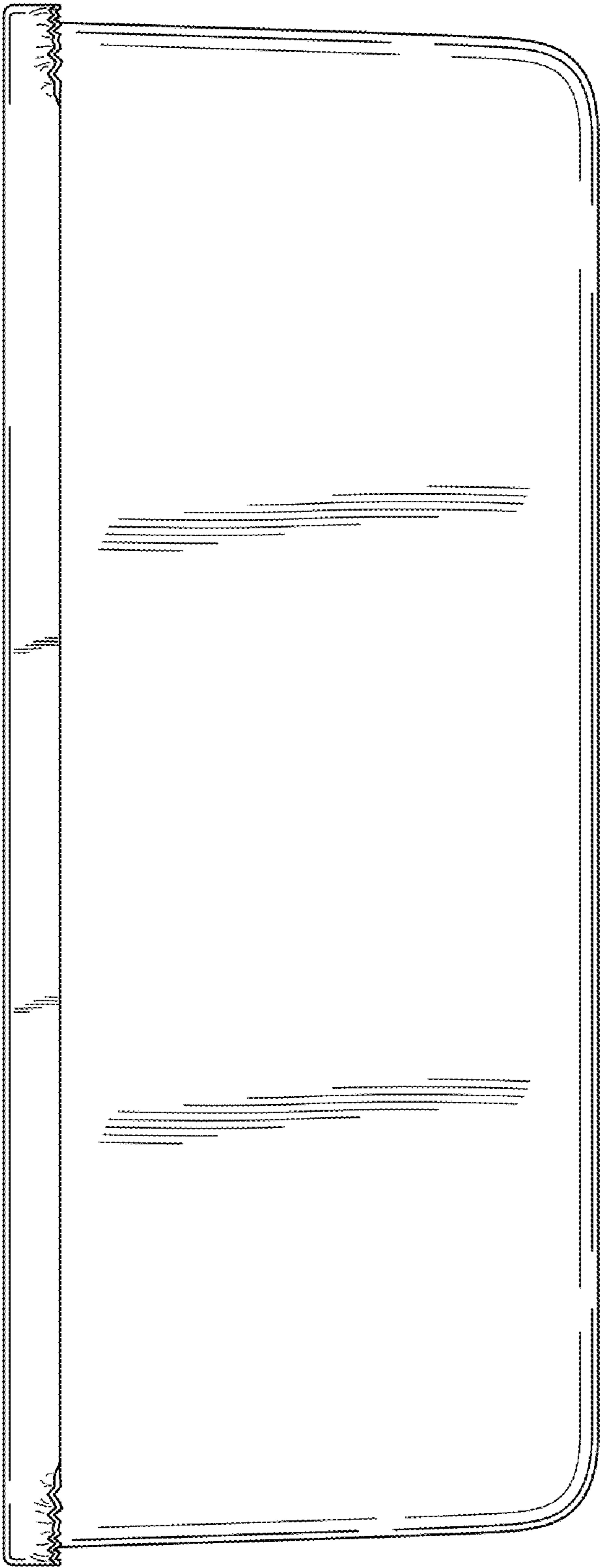


Fig. 4

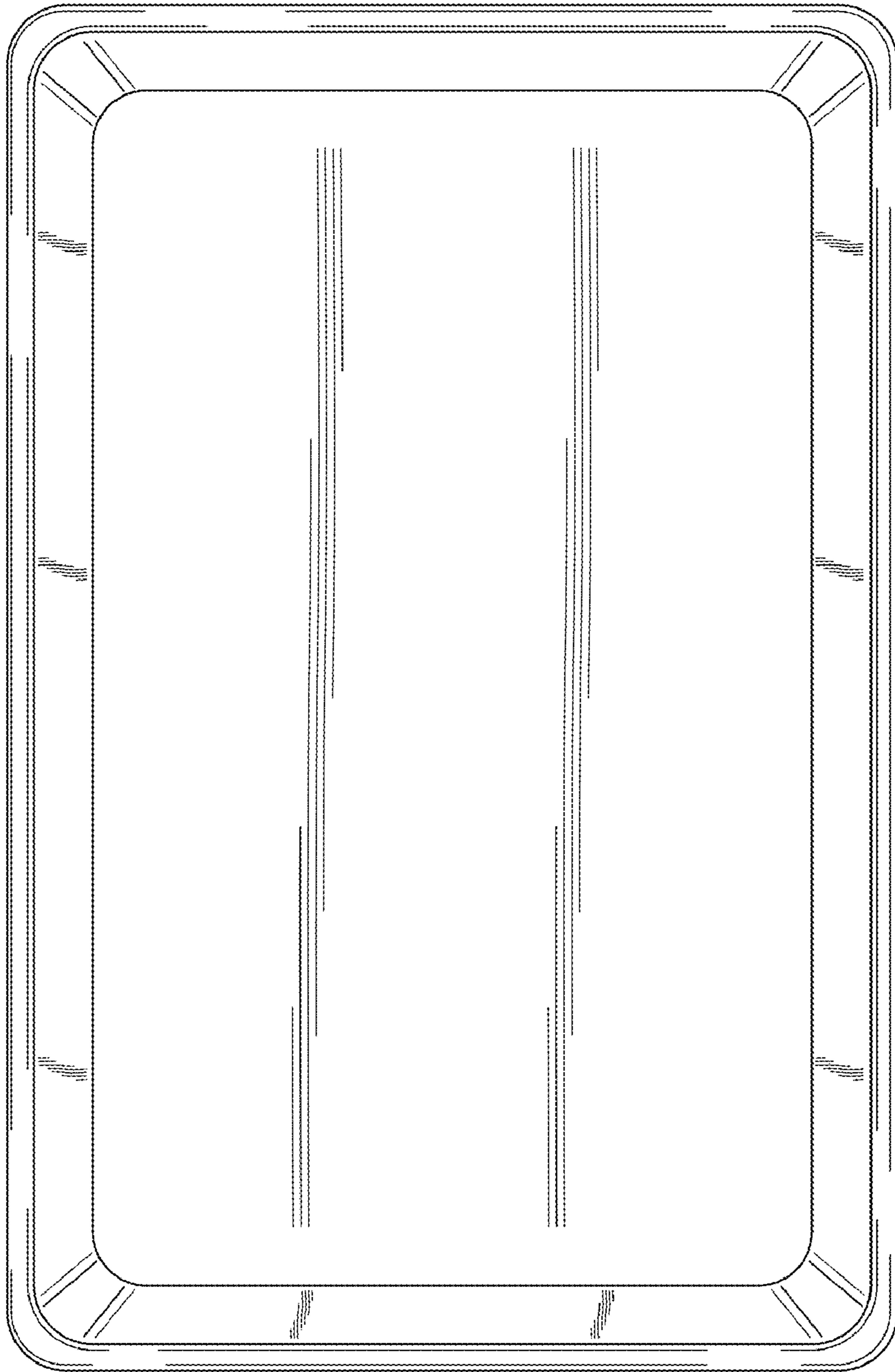


Fig. 5

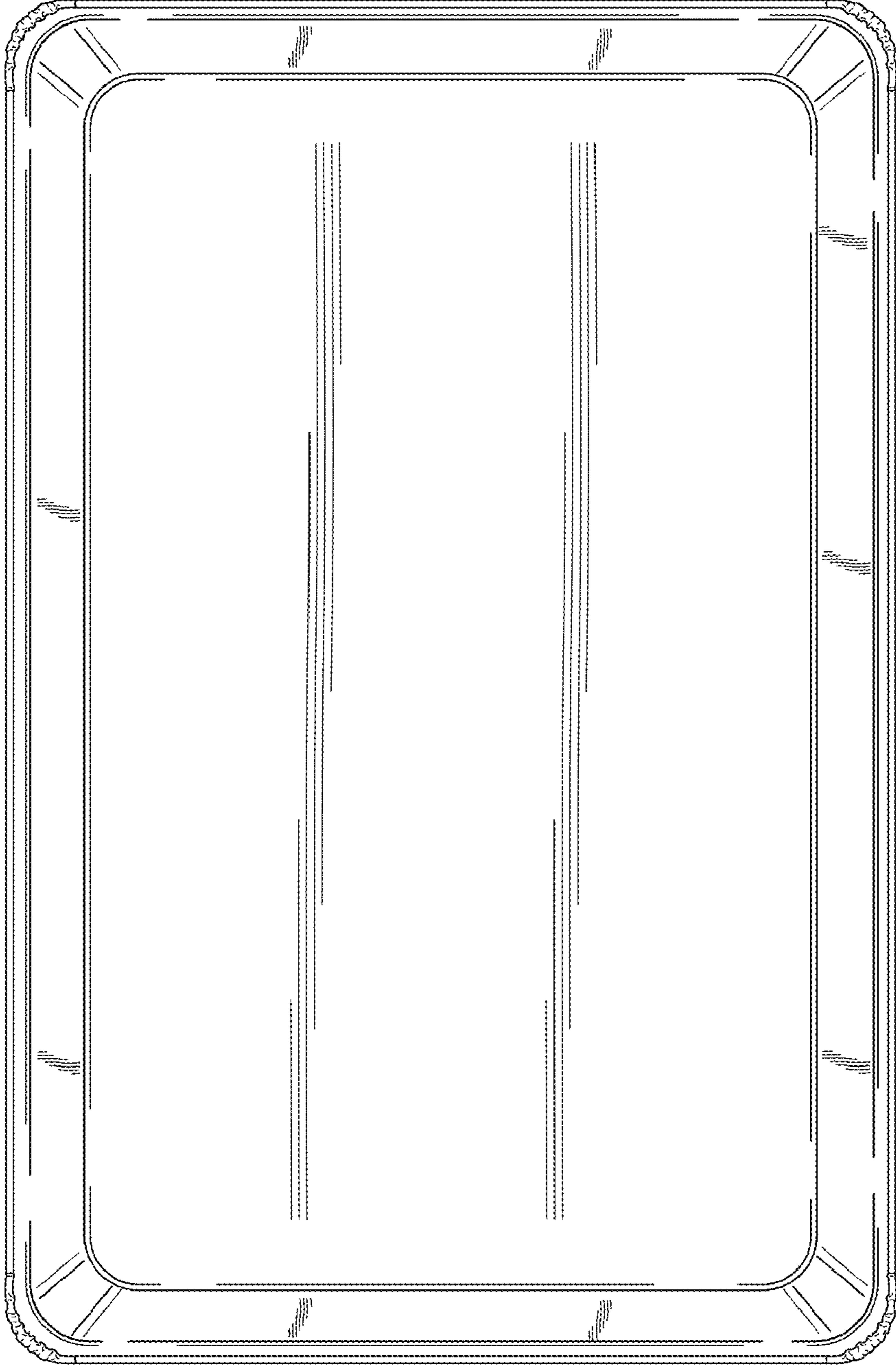


Fig. 6