



US00D677841S

(12) **United States Design Patent**
Gibbs

(10) **Patent No.:** **US D677,841 S**
(45) **Date of Patent:** **** Mar. 12, 2013**

(54) **PET HARNESS**

(75) Inventor: **Mary H. Gibbs**, Lake Oswego, OR (US)

(73) Assignee: **Zephyr Farm L.L.C.**, Portland, OR (US)

(**) Term: **14 Years**

(21) Appl. No.: **29/380,626**

(22) Filed: **Dec. 8, 2010**

(51) **LOC (9) Cl.** **30-04**

(52) **U.S. Cl.** **D30/152**

(58) **Field of Classification Search** D30/144,
D30/145, 161, 169, 199; 119/850, 863, 856-858,
119/174, 792, 907; 224/42.11, 241, 582,
224/505; 54/44.1; D3/231; 441/127, 115,
441/55, 80, 136, 88, 106, 108
See application file for complete search history.

(56) **References Cited**

U.S. PATENT DOCUMENTS

D33,442	S	*	10/1900	Gaisman	D2/627
D33,535	S	*	11/1900	Ritter	D2/627
D34,048	S	*	2/1901	Ross	D2/627
1,508,601	A	*	9/1924	Huff	119/792
1,614,083	A	*	1/1927	Plantico	119/793
D86,448	S	*	3/1932	Ezbelent	D2/602
1,906,043	A	*	4/1933	Bernstein	119/856
2,099,860	A	*	11/1937	McCubbing	54/18.2
2,187,021	A	*	1/1940	Everson	119/792
D165,578	S	*	1/1952	Garay	D2/627
D222,194	S	*	10/1971	Basche	D24/191
D238,125	S	*	12/1975	Webb	D2/605
D245,350	S		8/1977	Geary		
4,597,359	A	*	7/1986	Moorman	119/28.5
D309,212	S	*	7/1990	Maletsky et al.	D2/602
D310,435	S	*	9/1990	Cleveland	D30/152
D312,151	S	*	11/1990	Dickey	D30/145
D326,183	S	*	5/1992	Woods	D2/627
D363,572	S	*	10/1995	Obenchain	D30/145
5,503,113	A	*	4/1996	Knight	119/856
5,794,571	A	*	8/1998	Goldberg	119/792
5,913,285	A	*	6/1999	Pritchard	119/771
5,915,335	A	*	6/1999	Holt, Jr.	119/771

D421,328	S	*	3/2000	Glennie	D2/602
D424,761	S	*	5/2000	Mortenson	D30/152
D453,594	S		2/2002	Ishihara		
6,694,923	B1	*	2/2004	Fouche	119/792
D515,250	S	*	2/2006	Story	D30/145
7,284,505	B1	*	10/2007	Paxton et al.	119/792
D569,050	S	*	5/2008	Spater et al.	D30/152
D585,606	S	*	1/2009	Kennedy	D30/152
D599,504	S		9/2009	Halip		
D621,561	S	*	8/2010	Siklosi et al.	D30/152
D638,176	S	*	5/2011	Mugford	D30/152
D664,310	S	*	7/2012	Ito	D30/152

(Continued)

OTHER PUBLICATIONS

Photograph labeled FIG. 1 of a prior art harness.

(Continued)

Primary Examiner — Susan Moon Lee

(74) *Attorney, Agent, or Firm* — Klarquist Sparkman, LLP

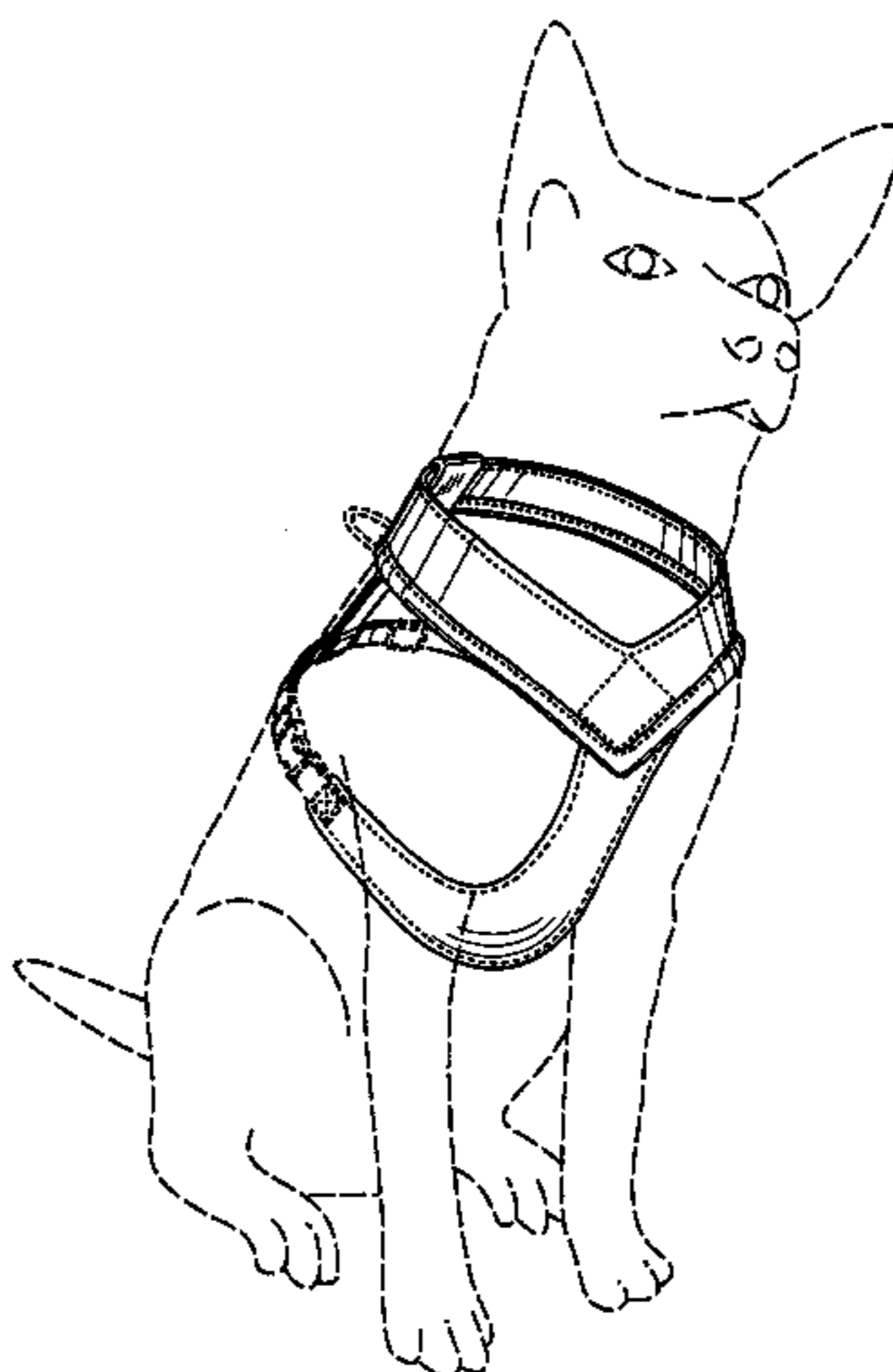
(57) **CLAIM**

I claim the ornamental design for a pet harness, as shown and described.

DESCRIPTION

FIG. 1 is a perspective view of a pet harness in accordance with my new design;
FIG. 2 is a left side view thereof;
FIG. 3 is a right side view thereof;
FIG. 4 is a top plan view thereof and showing stitching visible on the exterior surface by dashed lines;
FIG. 5 is a bottom plan view thereof.
FIG. 6 is a front view thereof; and,
FIG. 7 is a rear view thereof.
The stitching comprised of dashed lines on the exterior surface of the harness is part of the claimed design. All other broken lines and portions contained within broken lines including the broken line showing of a dog, buckles, harness ring and broken lines in the interior of the harness, are not claimed.

1 Claim, 4 Drawing Sheets



U.S. PATENT DOCUMENTS

2002/0053324 A1* 5/2002 Kato 119/856
2006/0054109 A1* 3/2006 Smith 119/856
2008/0223311 A1* 9/2008 Ito 119/792
2008/0314336 A1* 12/2008 Church et al. 119/771
2010/0263602 A1* 10/2010 Cho 119/792
2011/0067648 A1* 3/2011 Siklosi et al. 119/792

OTHER PUBLICATIONS

Photograph labeled FIGS. 2A, 2B and 2C of a prior art harness.
Photograph labeled FIG. 3 of a prior art harness.
Photograph labeled FIG. 4 of a prior art harness.

* cited by examiner

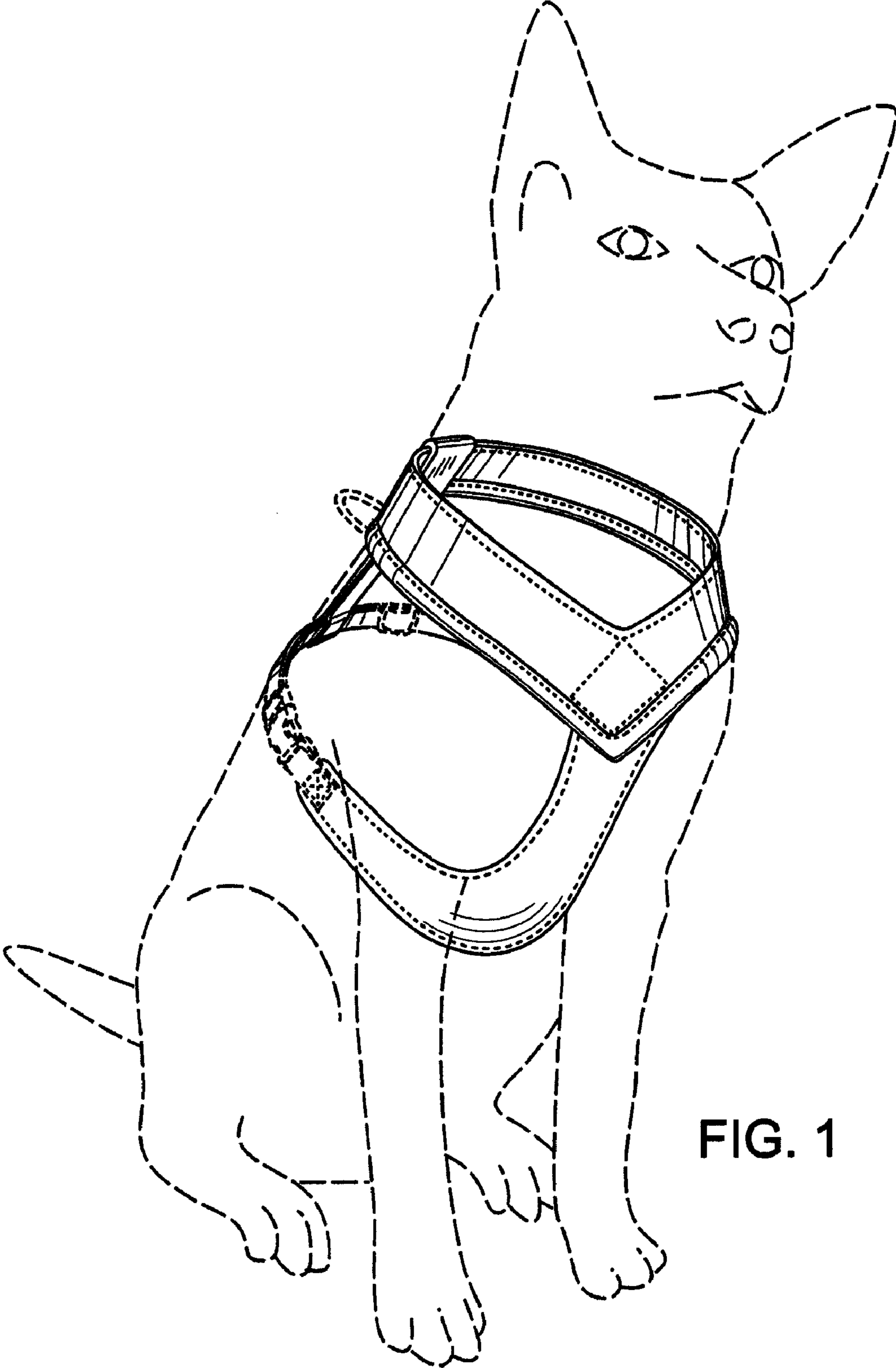


FIG. 1

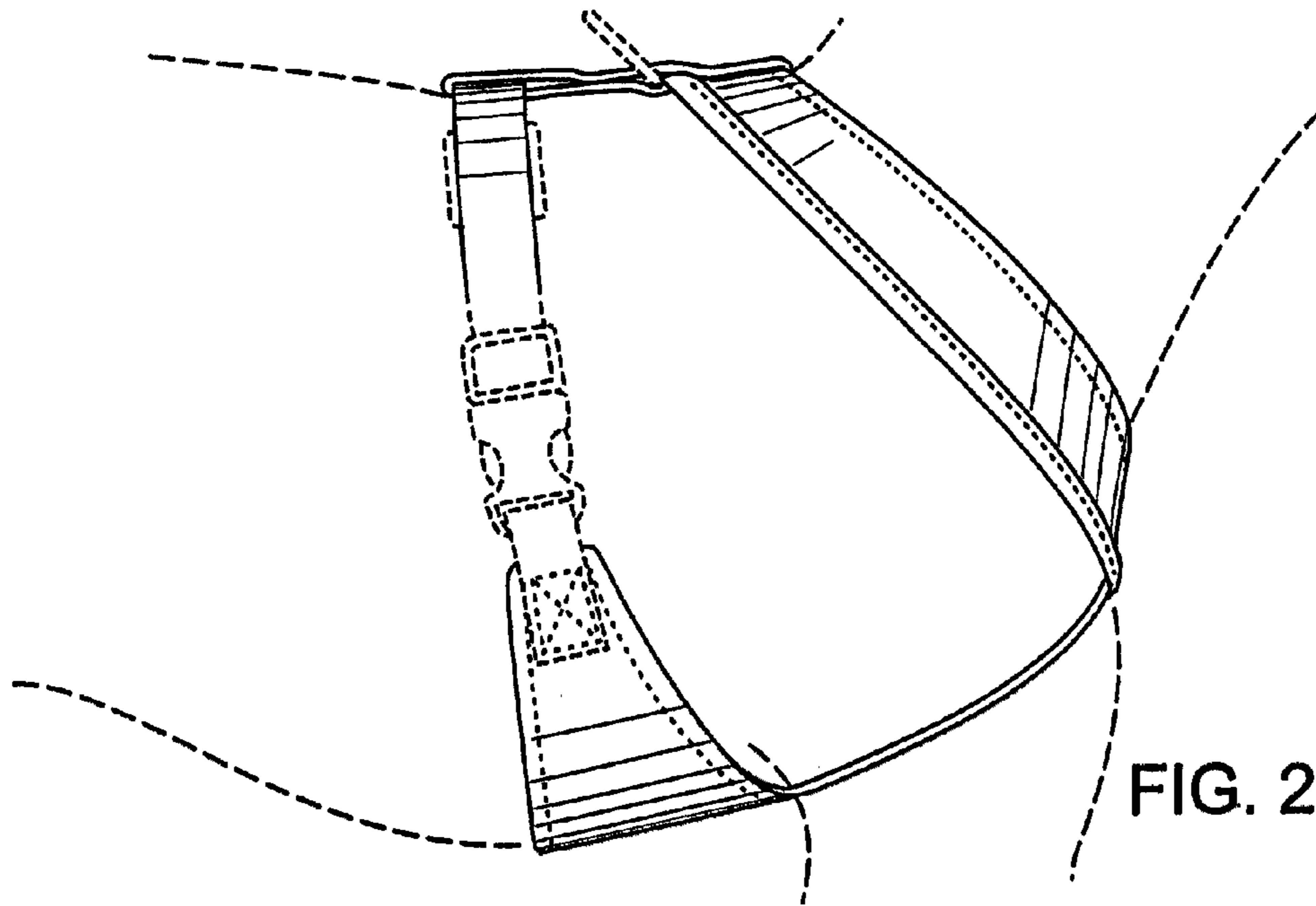


FIG. 2

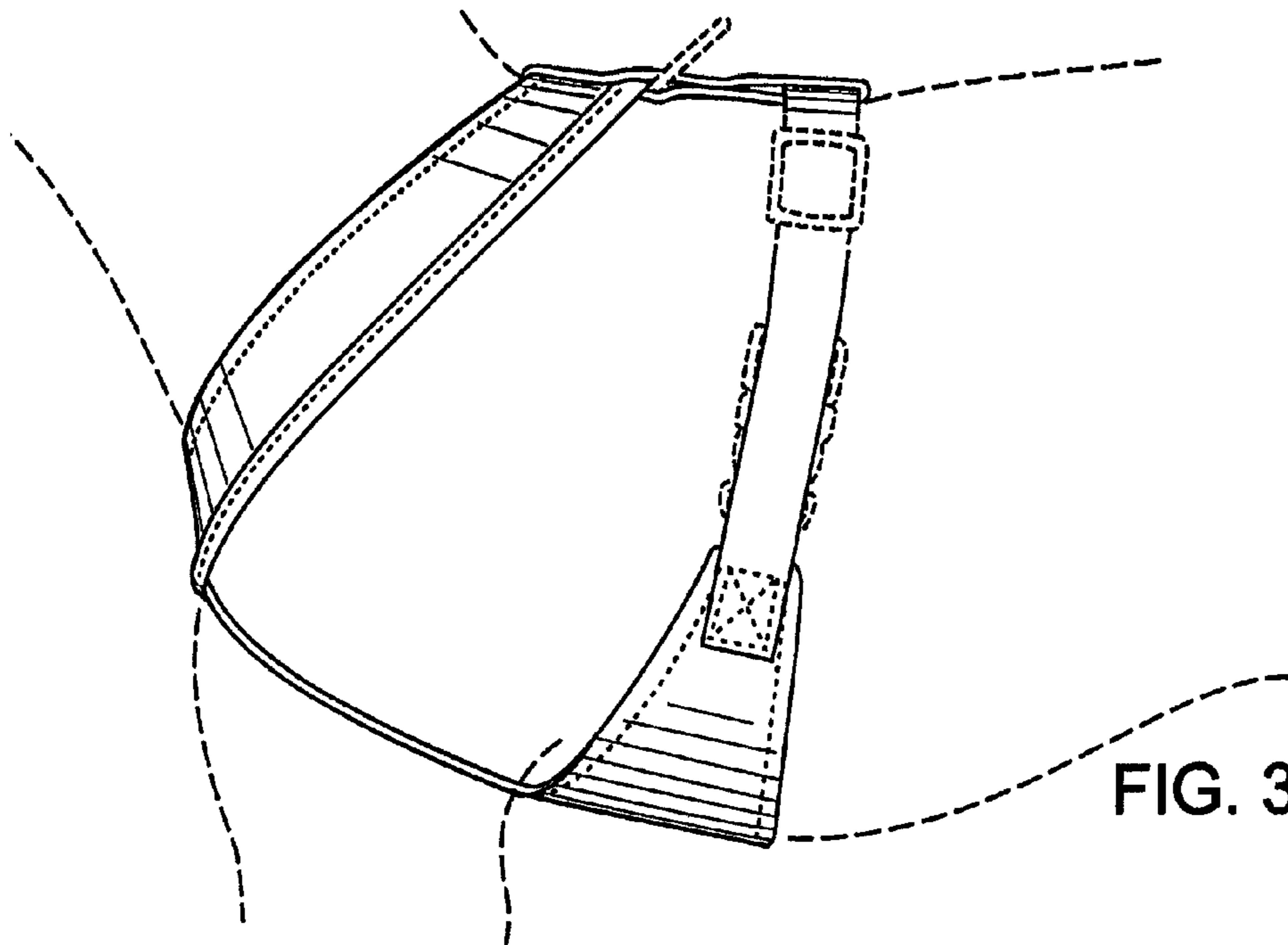


FIG. 3

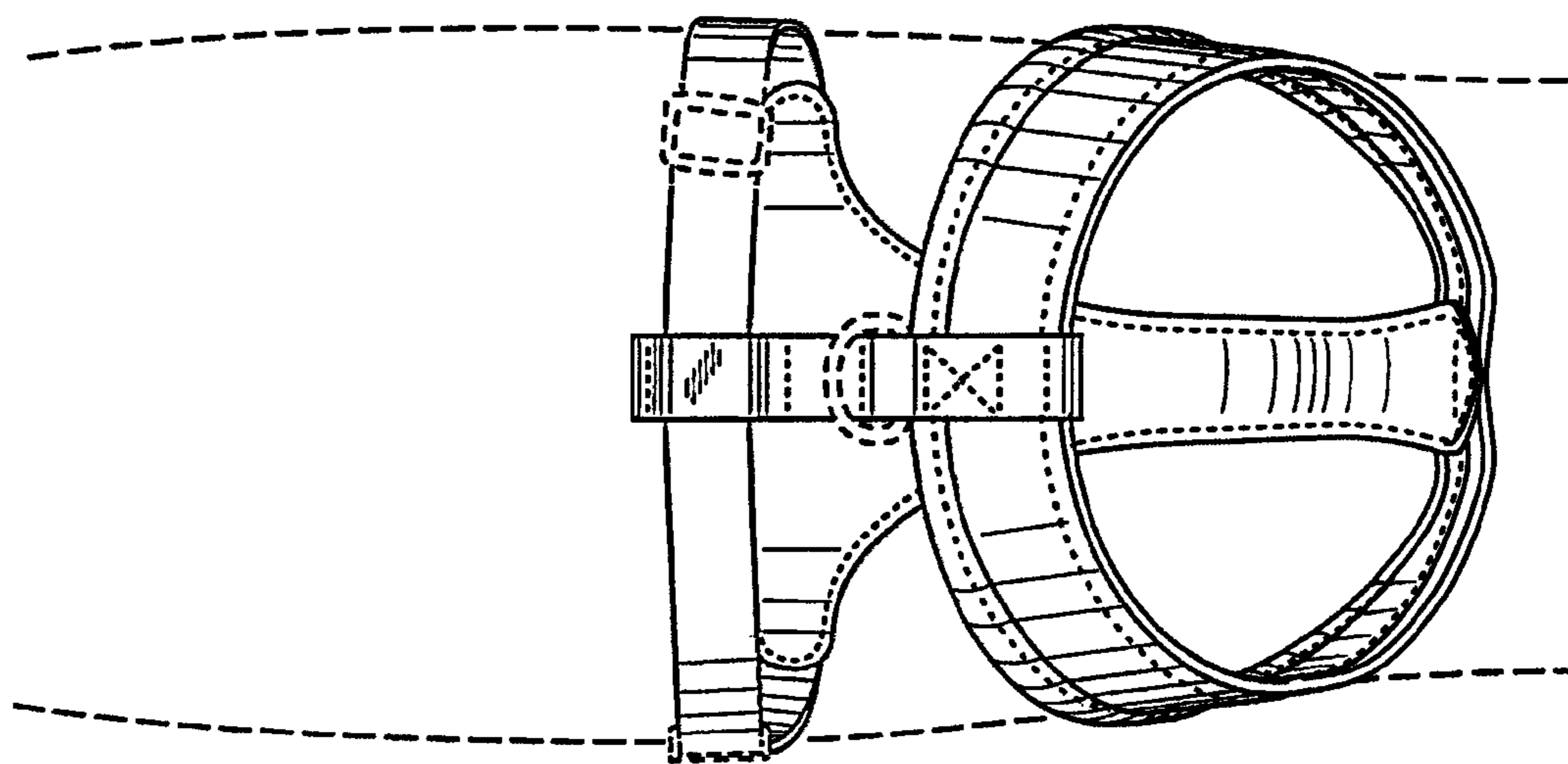


FIG. 4

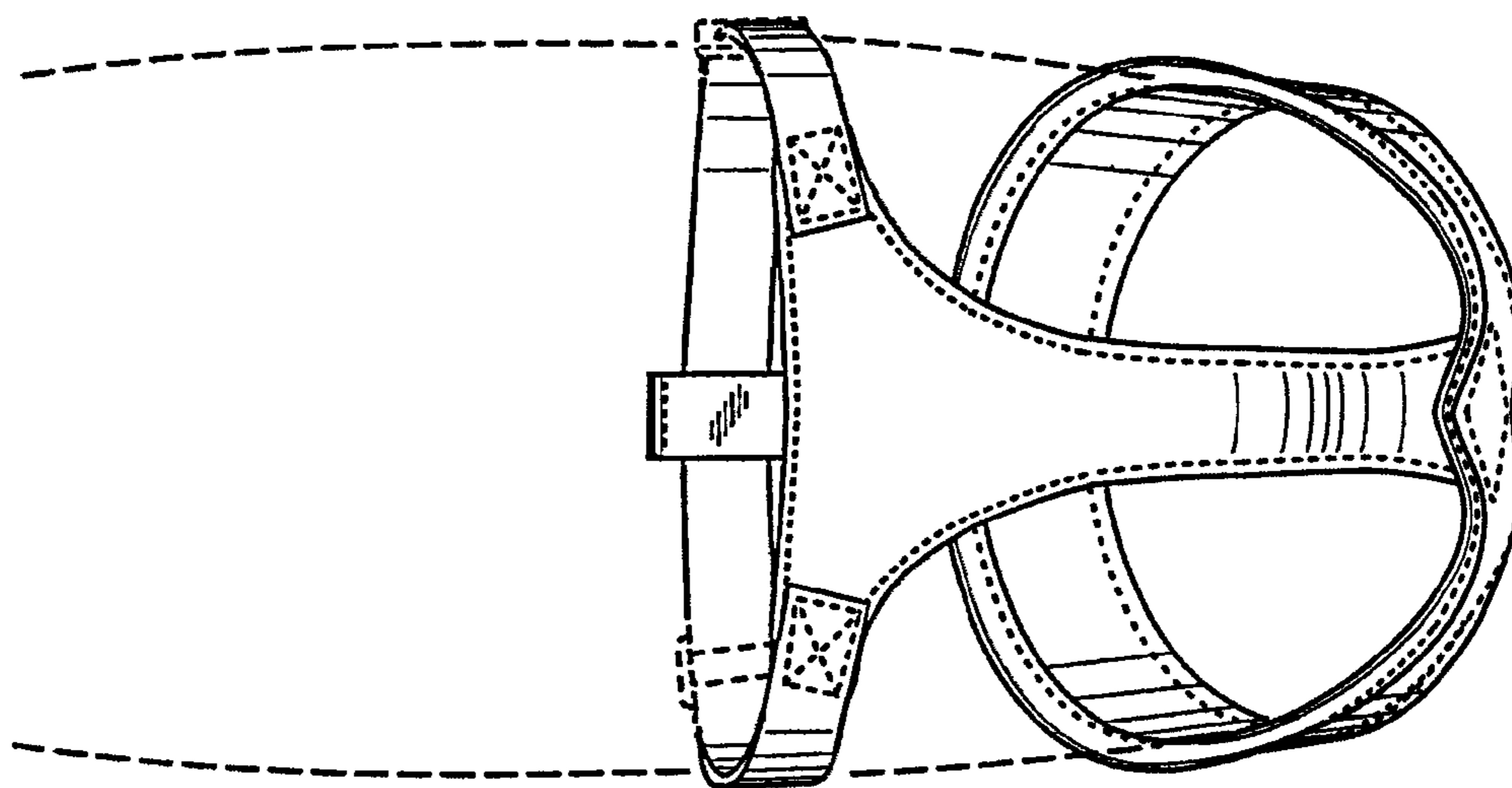


FIG. 5

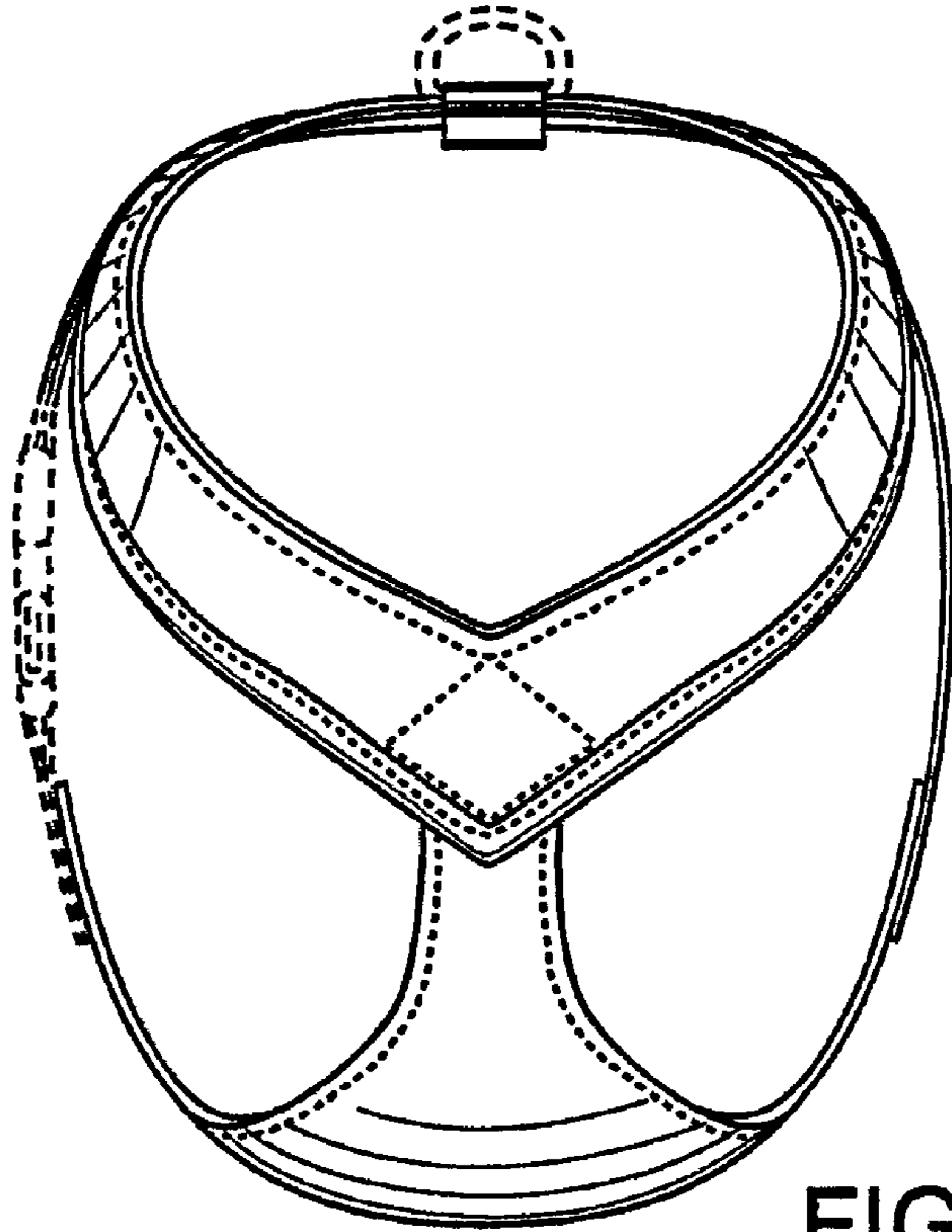


FIG. 6

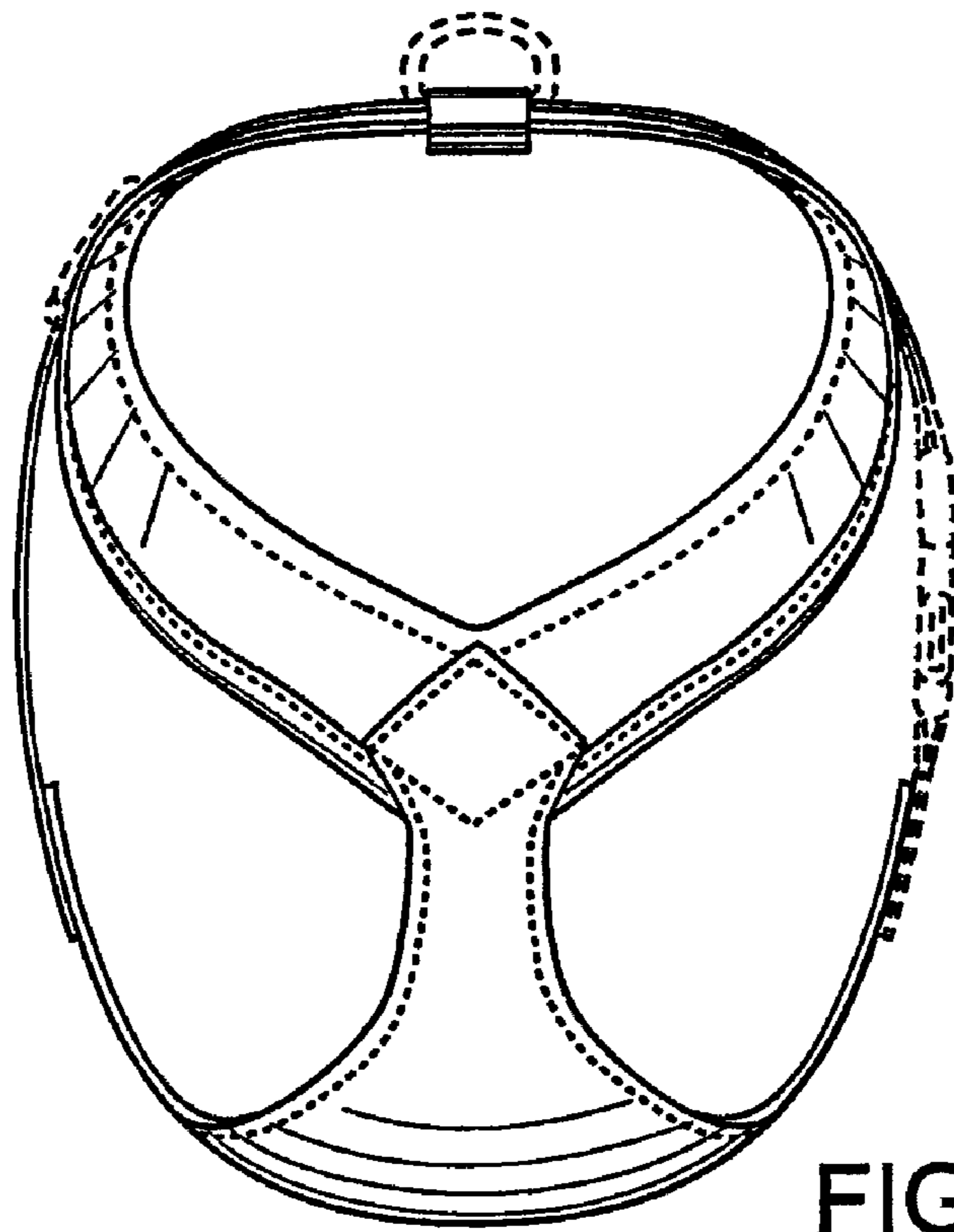


FIG. 7