



US00D677840S

(12) **United States Design Patent**
Burnett

(10) **Patent No.:** **US D677,840 S**
(45) **Date of Patent:** **** Mar. 12, 2013**

(54) **SUITCASE PET BED**

(76) Inventor: **Victoria Lea Burnett**, Stevensville, MD
(US)

(**) Term: **14 Years**

(21) Appl. No.: **29/427,254**

(22) Filed: **Jul. 16, 2012**

(51) **LOC (9) Cl.** **30-06**

(52) **U.S. Cl.** **D30/118; D3/304**

(58) **Field of Classification Search** D30/108,
D30/111-112, 114, 117-118, 161; D3/276,
D3/292, 294, 304; D6/595-598, 601, 604,
D6/333; 119/28.5, 706

See application file for complete search history.

D522,182 S * 5/2006 Simpson et al. D30/118
D558,930 S * 1/2008 Thomas D30/118
D563,105 S * 3/2008 Rothschild D3/276
D591,913 S * 5/2009 Drew D30/118
D653,406 S * 1/2012 Kahn et al. D30/118

OTHER PUBLICATIONS

www.breigh.com/wordpress/archives/8729; Old Suitcase Turned Dog Bed!; Copyright 2011.*

* cited by examiner

Primary Examiner — Cathy A MacCormac

(74) *Attorney, Agent, or Firm* — QuickPatents; Kevin Prince

(57) **CLAIM**

I claim the ornamental design for a suitcase pet bed, as shown and described.

(56) **References Cited**

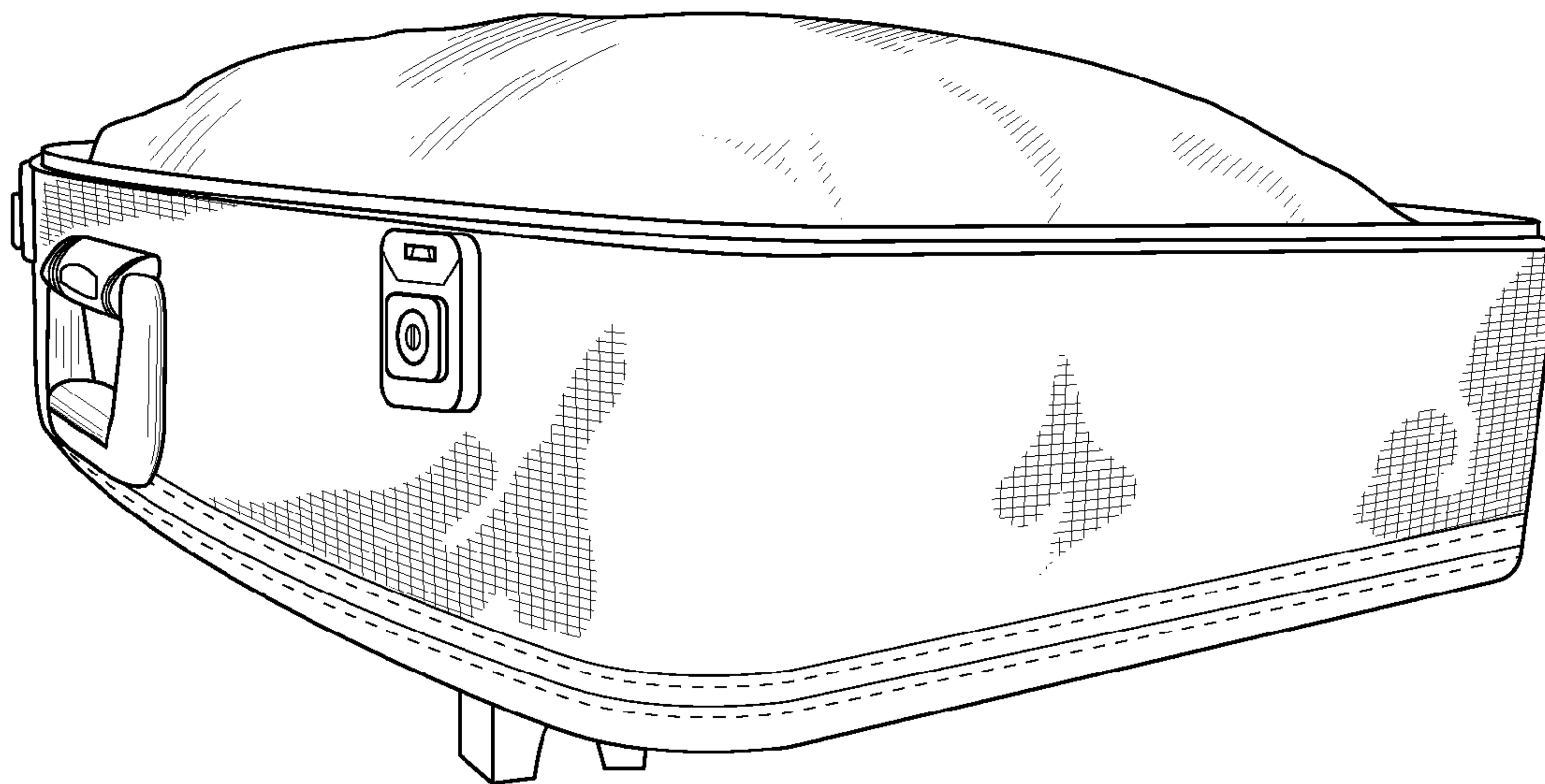
U.S. PATENT DOCUMENTS

D205,216 S * 7/1966 Bell et al. D30/118
D223,064 S * 3/1972 Peterson D6/449
D256,734 S * 9/1980 Riley D30/118
D289,699 S * 5/1987 Runion D30/118
D308,121 S * 5/1990 Overturf D30/118
5,320,066 A * 6/1994 Gunter 119/28.5
D348,852 S * 7/1994 Meyer D3/292
D348,958 S * 7/1994 McLellan D30/118
D361,872 S * 8/1995 McMahon et al. D30/118
D363,662 S * 10/1995 Plater D3/304
D379,014 S * 4/1997 Woods, II D30/118
D423,729 S * 4/2000 Morgan D30/118
D436,235 S * 1/2001 Watt D30/118

DESCRIPTION

FIG. 1 is a perspective view of a suitcase pet bed, showing my new design;
FIG. 2 is a front elevational view thereof;
FIG. 3 is a rear elevational view thereof;
FIG. 4 is a right-side elevational view thereof, the left-side elevational view being a mirror image thereof;
FIG. 5 is a top plan view thereof; and,
FIG. 6 is a bottom plan view thereof.
The broken lines in the figures represent stitching, and are part of the claimed design.

1 Claim, 3 Drawing Sheets



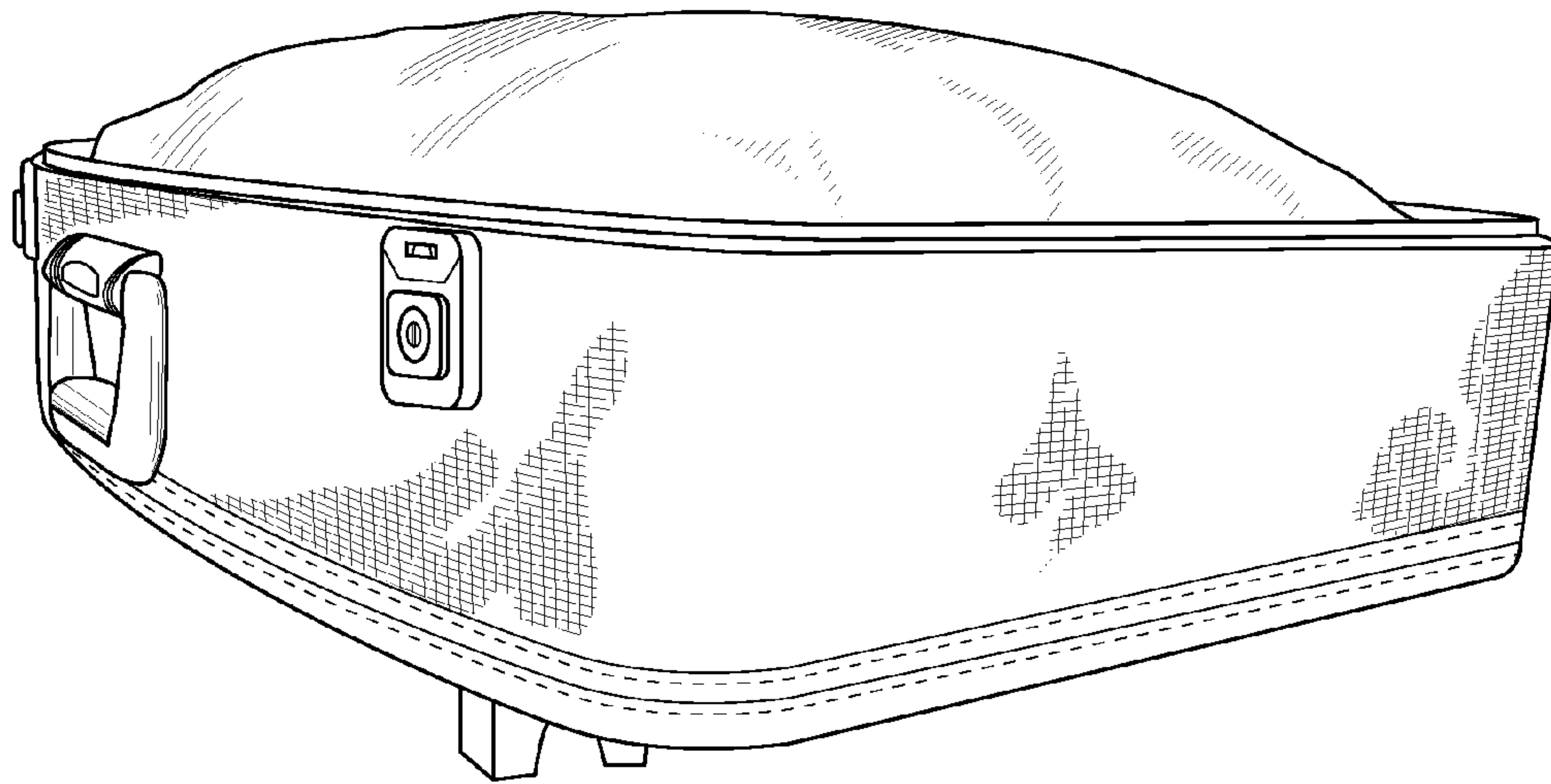


FIG. 1

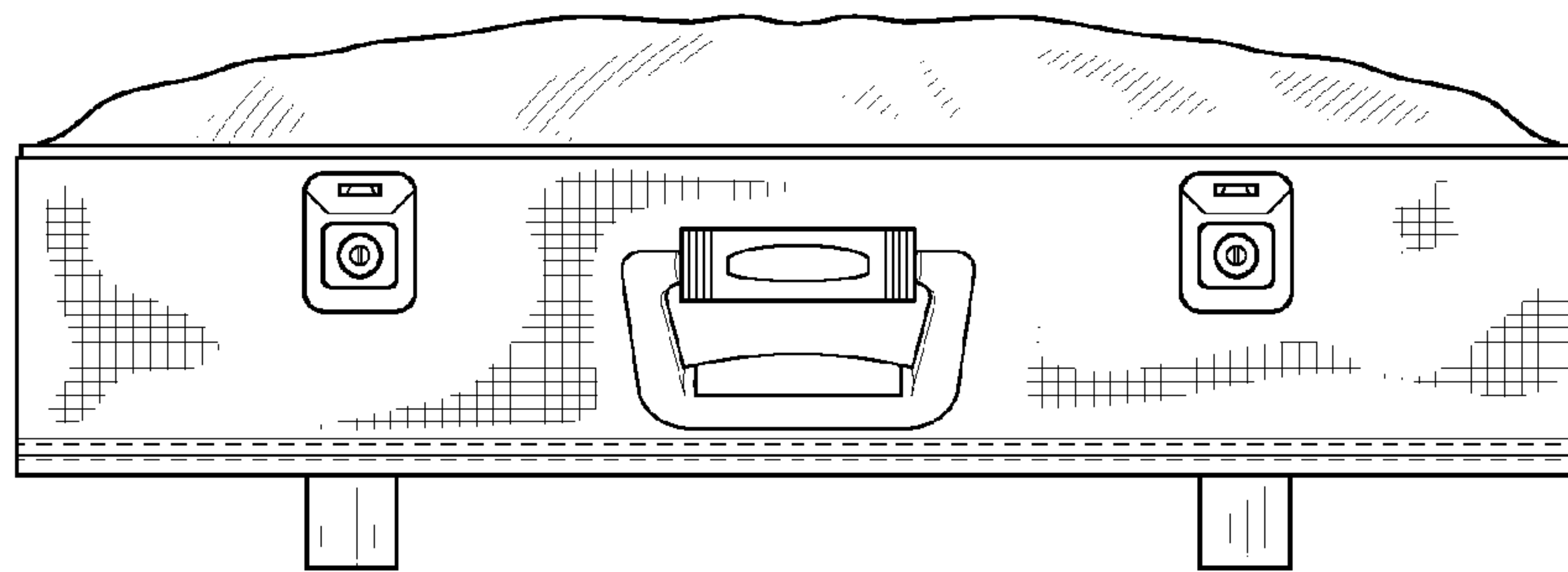


FIG. 2

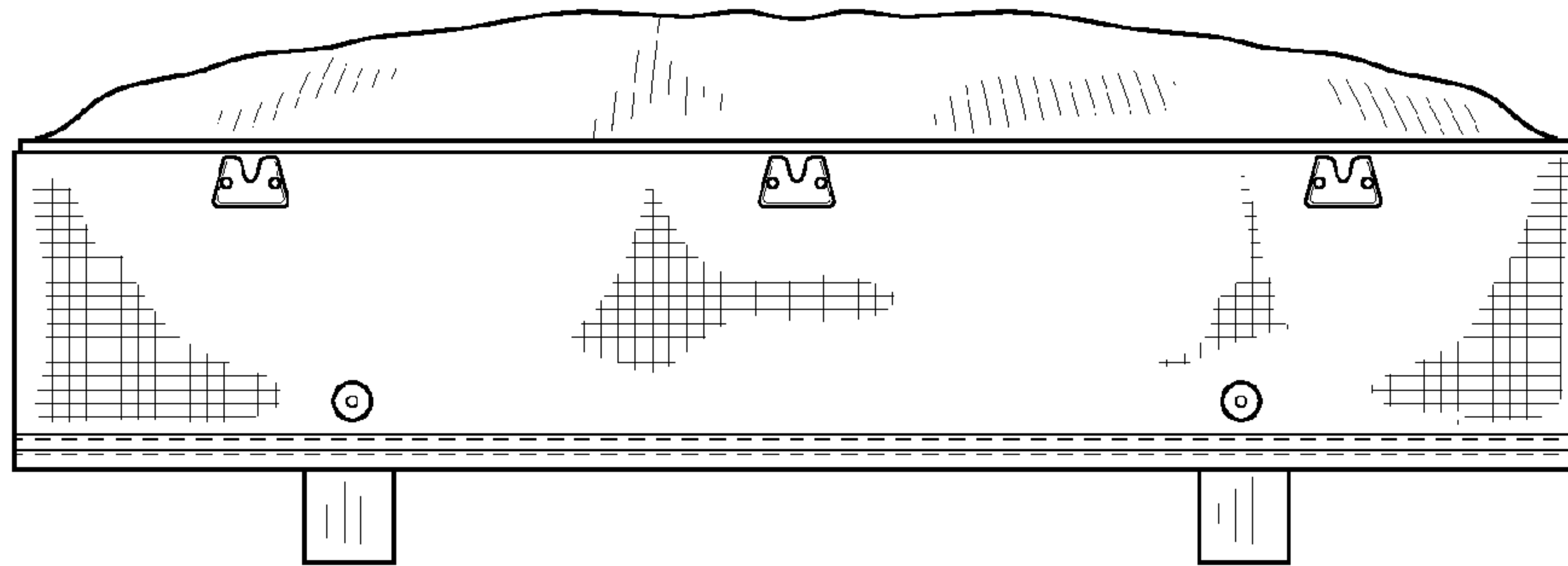


FIG. 3

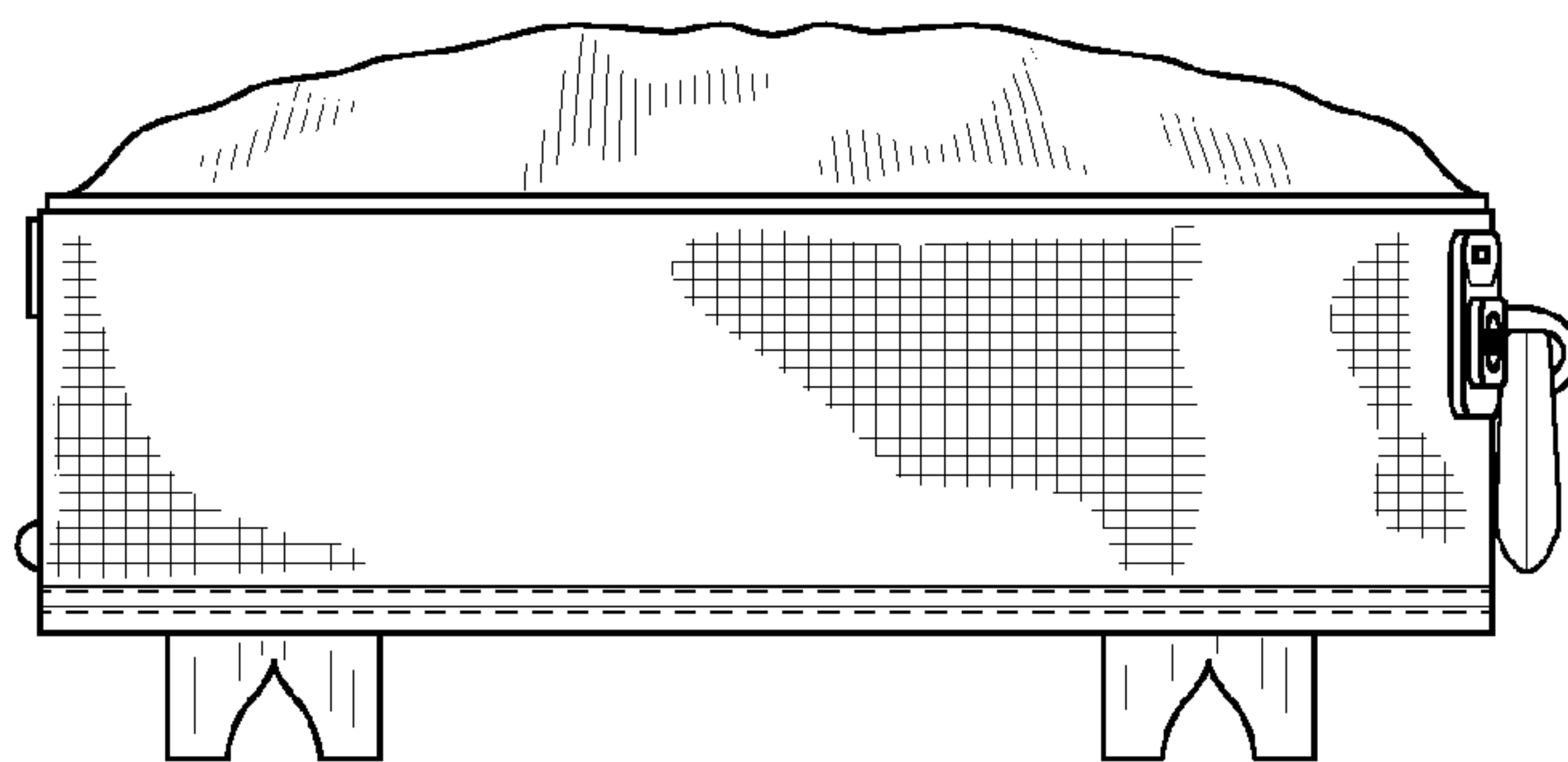


FIG. 4

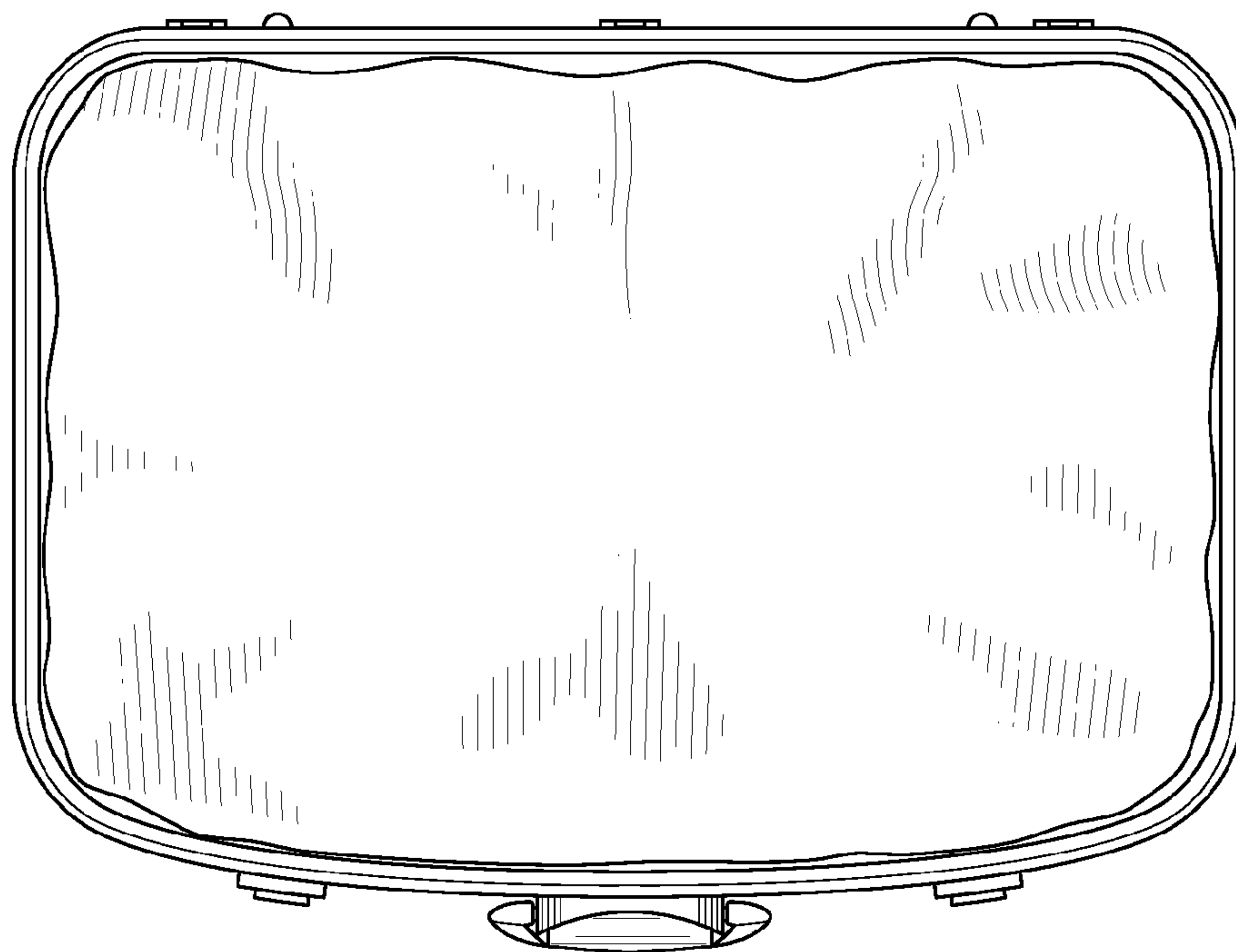


FIG. 5



FIG. 6