



US00D677838S

(12) **United States Design Patent**
Thompson

(10) **Patent No.:** **US D677,838 S**
(45) **Date of Patent:** **** Mar. 12, 2013**

(54) **LIPSTICK CASE**

(76) Inventor: **Howard J. Thompson**, Boston, MA
(US)

(**) Term: **14 Years**

(21) Appl. No.: **29/412,769**

(22) Filed: **Feb. 7, 2012**

(51) **LOC (9) Cl.** **28-03**

(52) **U.S. Cl.** **D28/85**

(58) **Field of Classification Search** D28/85-90;
D9/503-504; 132/318, 320; 206/581, 823,
206/385; 401/68-79, 126-130, 202

See application file for complete search history.

(56) **References Cited**

U.S. PATENT DOCUMENTS

2,121,221	A *	6/1938	Fontan	132/316
D313,872	S *	1/1991	Thompson	D28/85
D314,445	S *	2/1991	Addis	D28/76
D593,713	S *	6/2009	Fogelson	D28/85
D669,529	S *	10/2012	Hung	D19/41

* cited by examiner

Primary Examiner — Jennifer Rivard

(74) *Attorney, Agent, or Firm* — Michael J. Persson; Lawson
Persson & Weldon-Granike

(57) **CLAIM**

The ornamental design for a lipstick case, as shown and
described.

DESCRIPTION

FIG. 1 is a top perspective view of a lipstick case of the
present invention.

FIG. 2 is a front elevational view of the lipstick case of the
present invention, the opposite side being a mirror image of
the side shown.

FIG. 3 is a side elevational view of the lipstick case of the
present invention, the side opposite being a mirror image of
the side shown.

FIG. 4 is a top plan view of the lipstick case of the present
invention.

FIG. 5 is a bottom plan view of the lipstick case of the present
invention.

FIG. 6 is an exploded perspective view of the lipstick case of
the present invention.

FIG. 7 is a bottom plan view of the base element of the lipstick
case of the present invention, shown separately for clarity of
illustration.

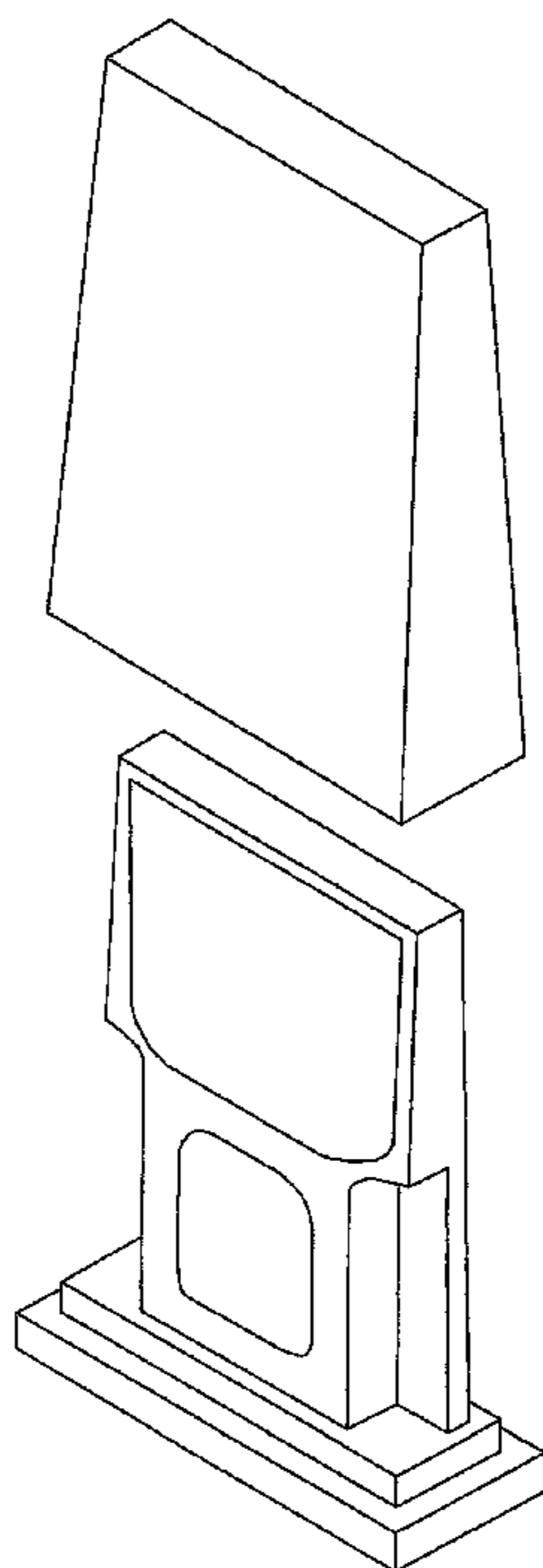
FIG. 8 is a front elevational view of the base element of the
lipstick case of the present invention, shown separately for
clarity of illustration.

FIG. 9 is a bottom plan view of the cover element of the
lipstick case of the present invention, shown separately for
clarity of illustration.

FIG. 10 is a rear elevational view of the base element of the
lipstick case of the present invention, shown separately for
clarity of illustration; and,

FIG. 11 is a side elevational view of the base element of the
lipstick case of the present invention, shown separately for
clarity of illustration; the opposite side being a mirror image
of the side shown.

1 Claim, 3 Drawing Sheets



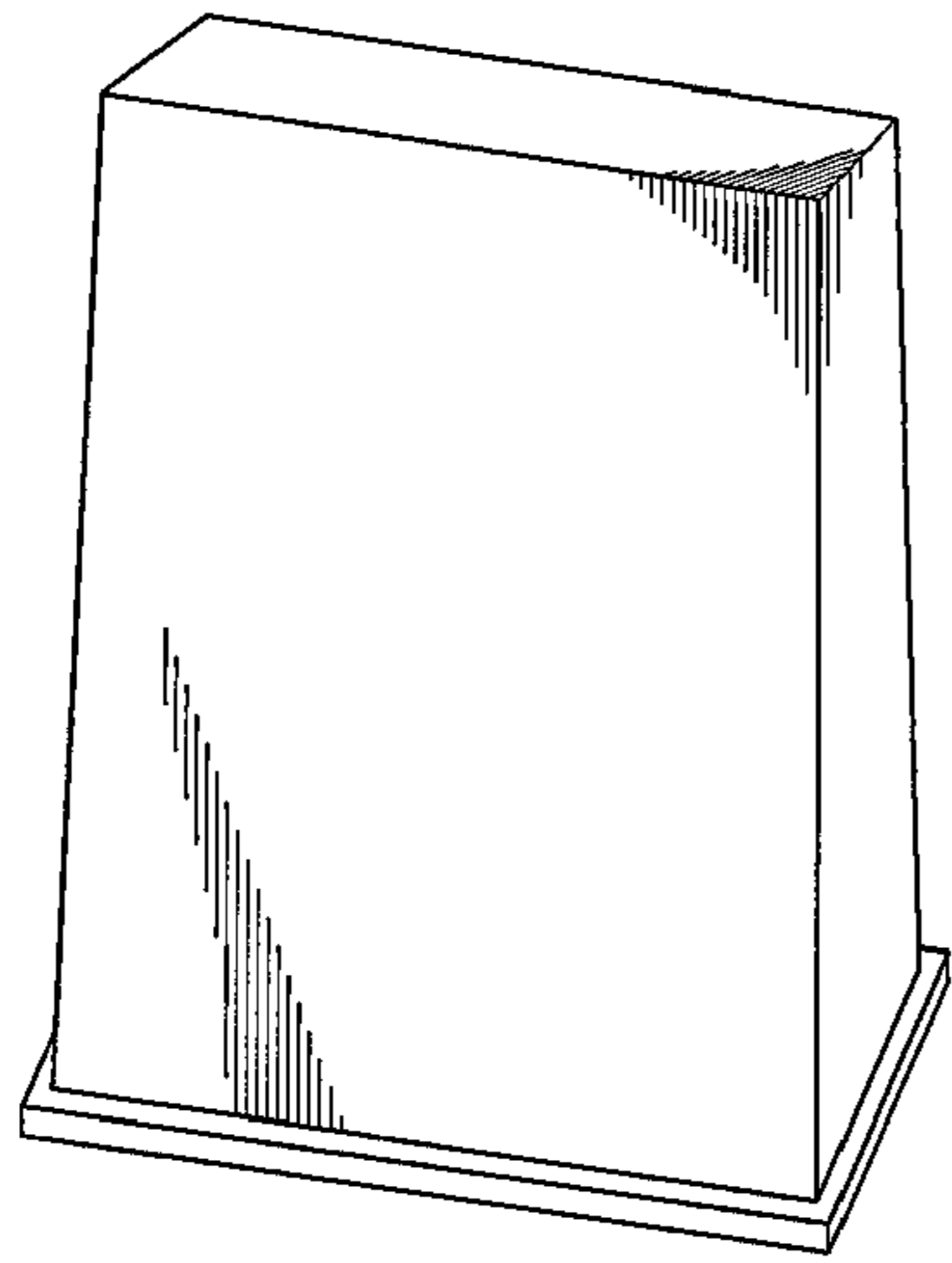


FIG. 1

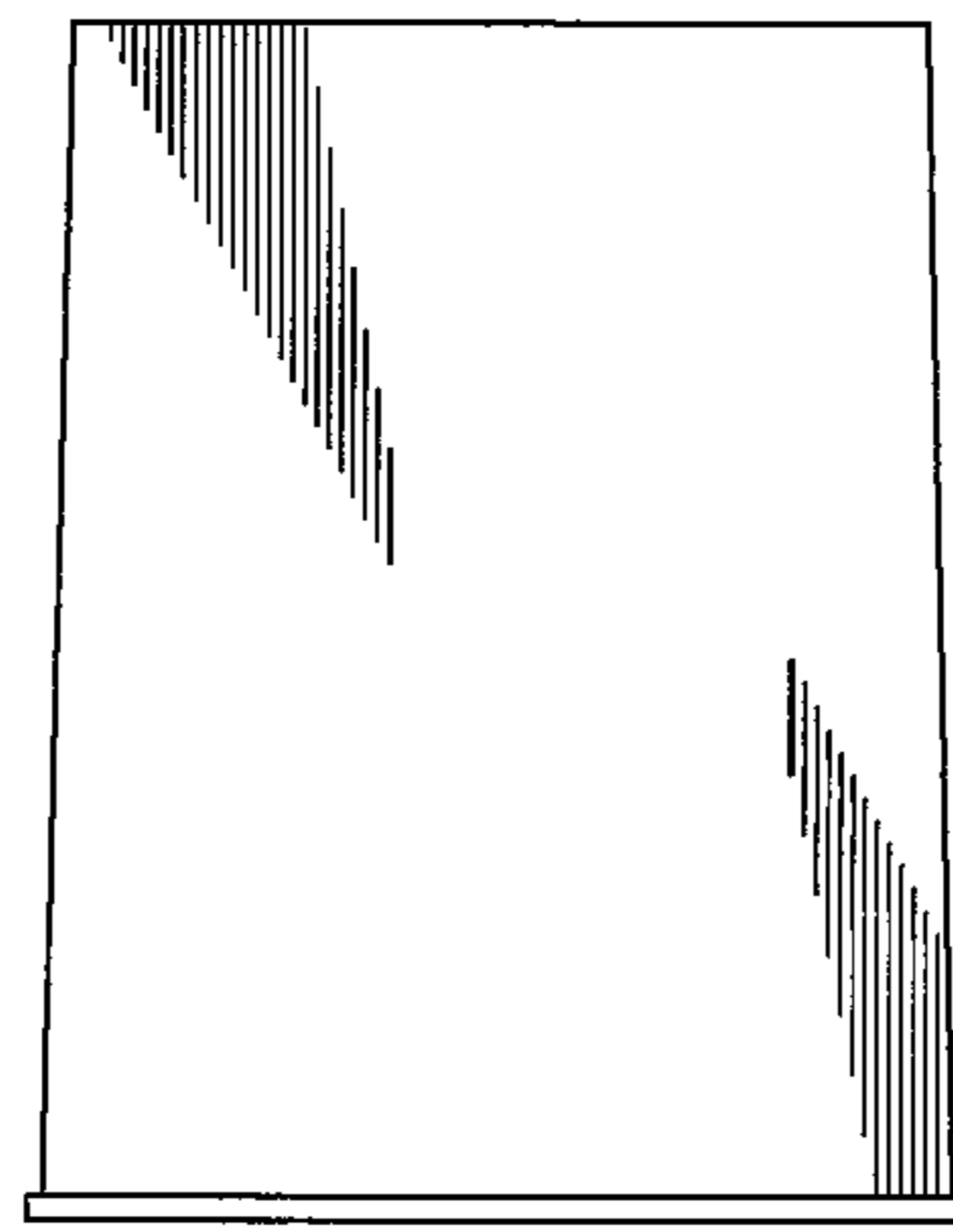


FIG. 2

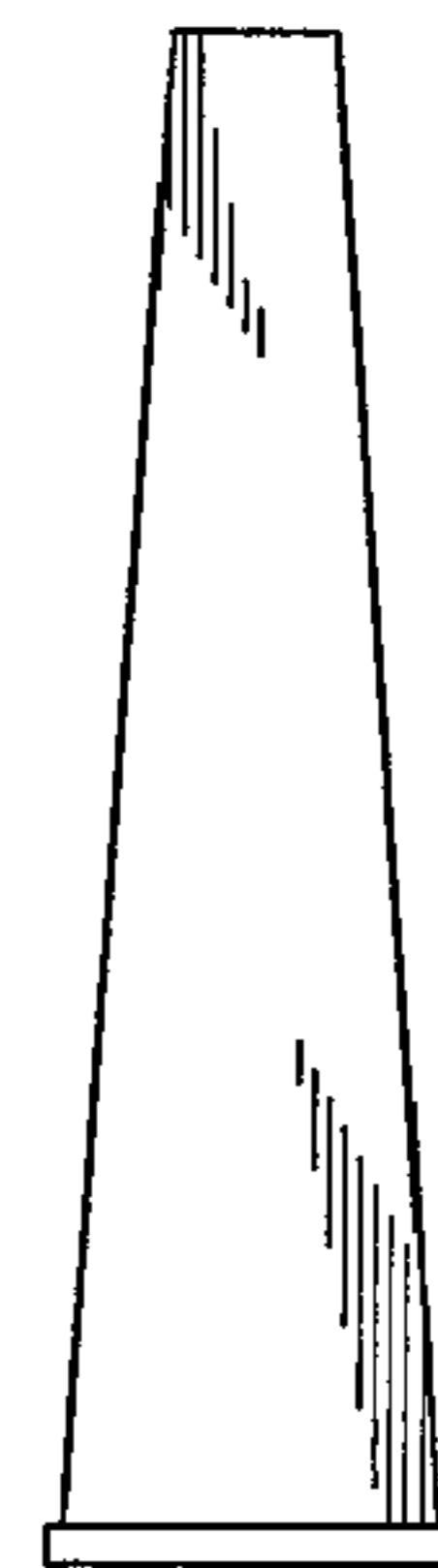


FIG. 3

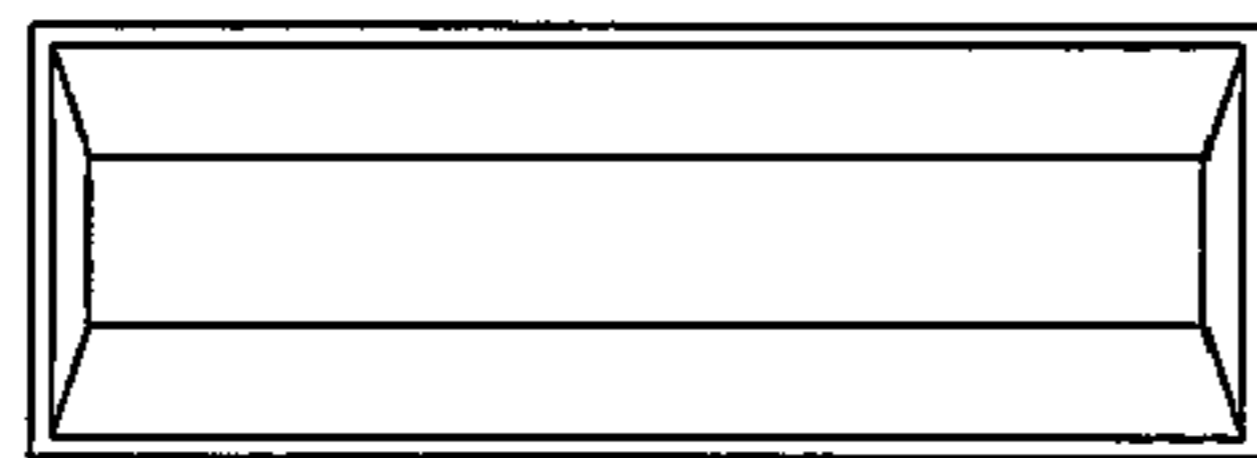


FIG. 4

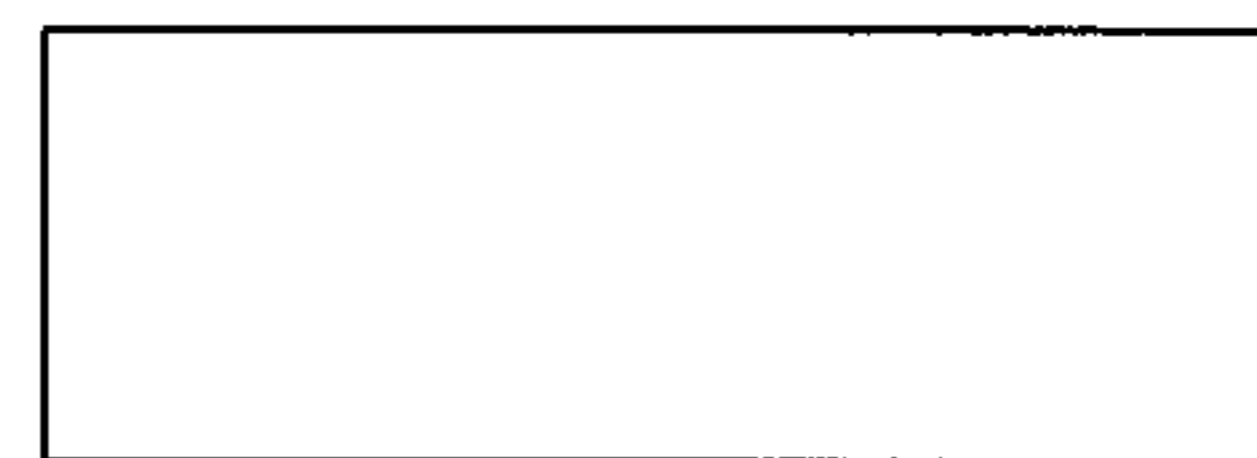


FIG. 5

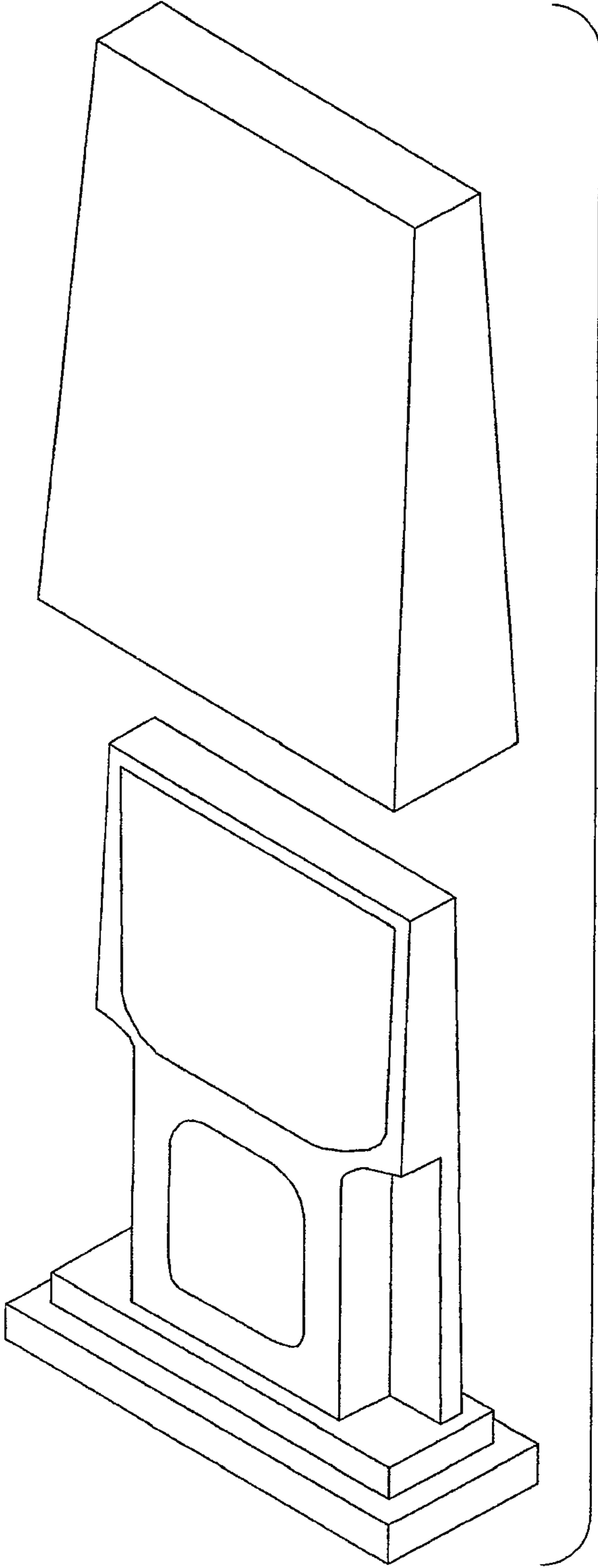


FIG. 6



FIG. 7

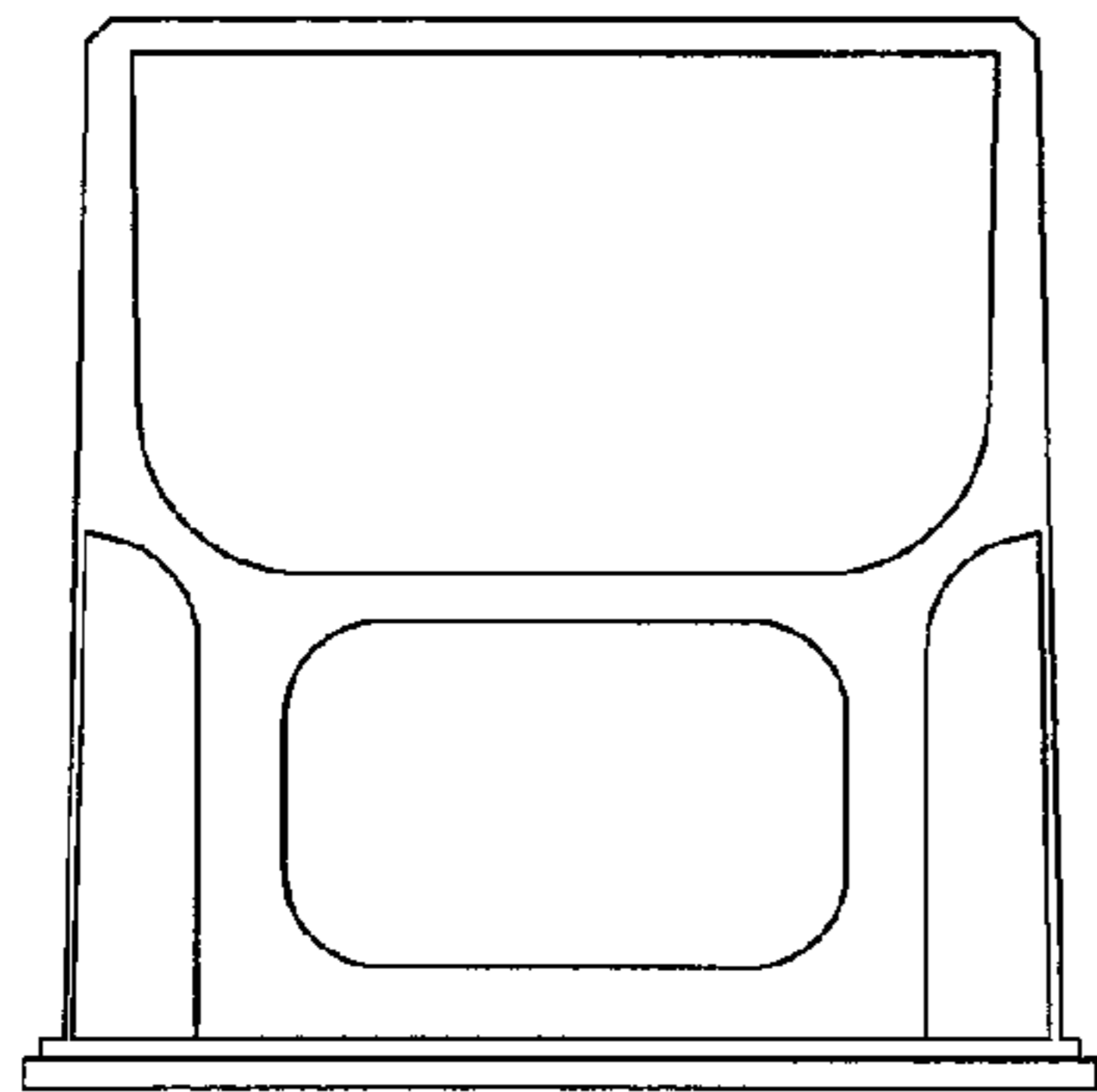


FIG. 8

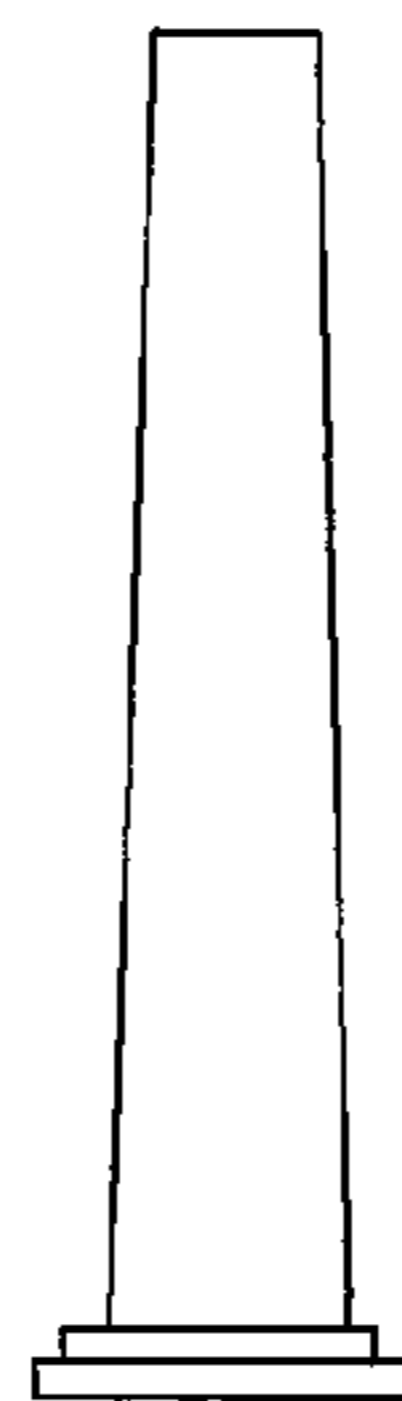


FIG. 11

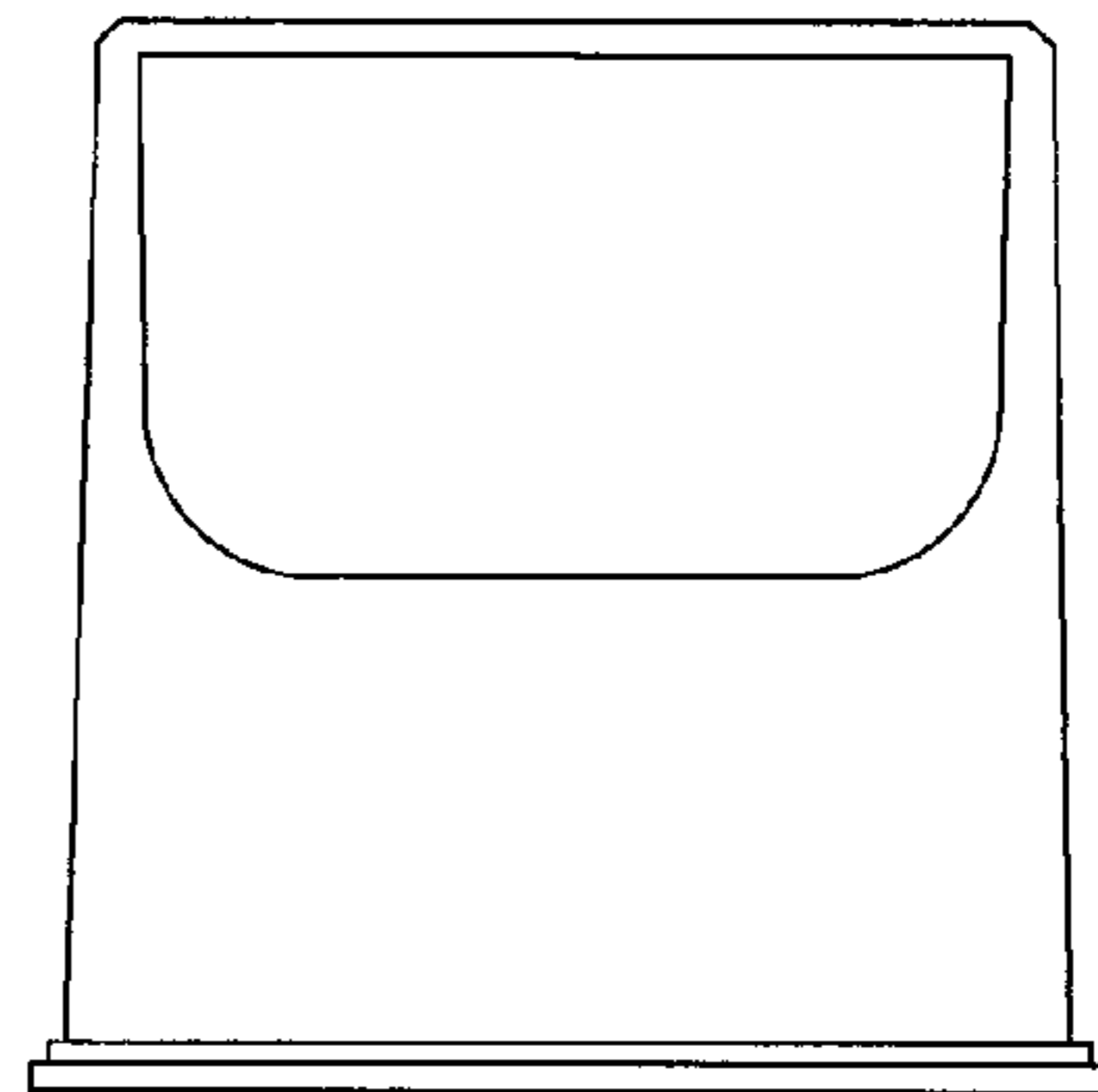


FIG. 10

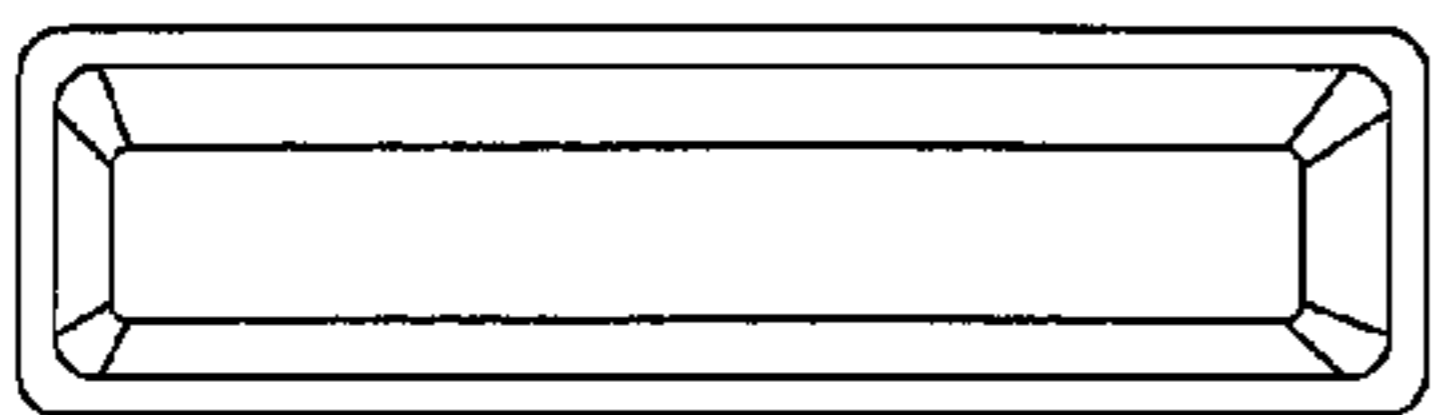


FIG. 9